



US00D929764S

(12) **United States Design Patent**
Hanshui

(10) **Patent No.:** **US D929,764 S**

(45) **Date of Patent:** **** Sep. 7, 2021**

(54) **CHAIR**

(71) Applicant: **Zhejiang Longda Forge Co., Ltd,**
Zhejiang (CN)

(72) Inventor: **Lyu Hanshui,** Zhejiang (CN)

(73) Assignee: **Zhejiang Longda Forge Co., Ltd,**
Zhejiang (CN)

(**) Term: **15 Years**

(21) Appl. No.: **29/712,381**

(22) Filed: **Nov. 7, 2019**

(51) **LOC (13) Cl.** **06-01**

(52) **U.S. Cl.**
USPC **D6/376**

(58) **Field of Classification Search**
USPC D6/369, 376, 379, 380; D21/521
CPC .. A47C 3/023; A47C 3/04; A47C 3/14; A47C
3/34; A47C 4/028; A47C 4/02; A47C
4/03; A47C 5/04; A47C 5/10; A47C
7/002; A47C 7/029; A47C 7/506; A47C
9/007; A47C 9/005; A47C 9/00; A47C
13/023; A47B 1/00; A47B 7/02; A47B
39/08; A47B 41/00; A47B 41/04; A47B
2200/0011; A47B 2200/0027

See application file for complete search history.

(56) **References Cited**

U.S. PATENT DOCUMENTS

D342,391 S	*	12/1993	Caldwell	D6/369
D375,416 S	*	11/1996	McGuire	D6/369
D393,954 S	*	5/1998	Ferguson	D6/369
D419,320 S	*	1/2000	Gaylord	D6/369
D438,026 S	*	2/2001	Frnier	D6/369

D440,423 S	*	4/2001	Frnier	D6/379
D492,495 S	*	7/2004	Barile, Jr.	D6/369
D517,339 S	*	3/2006	Tseng	D6/369
D522,267 S	*	6/2006	Bell	D6/369
D523,652 S	*	6/2006	Bell	D6/376
D526,801 S	*	8/2006	Chen	D6/369
D532,212 S	*	11/2006	Bell	D6/376
D569,645 S	*	5/2008	Camp, Jr.	D6/369
D570,128 S	*	6/2008	Camp, Jr.	D6/369
D571,116 S	*	6/2008	Lowsky	D6/369
D572,030 S	*	7/2008	Lowsky	D6/369
D572,031 S	*	7/2008	Lowsky	D6/369
D609,485 S	*	2/2010	Lowsky	D6/369
D714,564 S	*	10/2014	Vanderminden	D6/376
2011/0084536 A1	*	4/2011	Huang	A47C 4/03 297/440.18

* cited by examiner

Primary Examiner — Kevin K Rudzinski

Assistant Examiner — Paul D Bohannon

(74) *Attorney, Agent, or Firm* — Loza & Loza, LLP;
Heidi Eisenhut

(57) **CLAIM**

The ornamental design for a chair, as shown and described.

DESCRIPTION

FIG. 1 is a top right perspective view of a chair, according to the present invention.

FIG. 2 is a bottom left perspective view of the chair of FIG. 1;

FIG. 3 is a front elevation view of the chair of FIG. 1;

FIG. 4 is a back elevation view of the chair of FIG. 1;

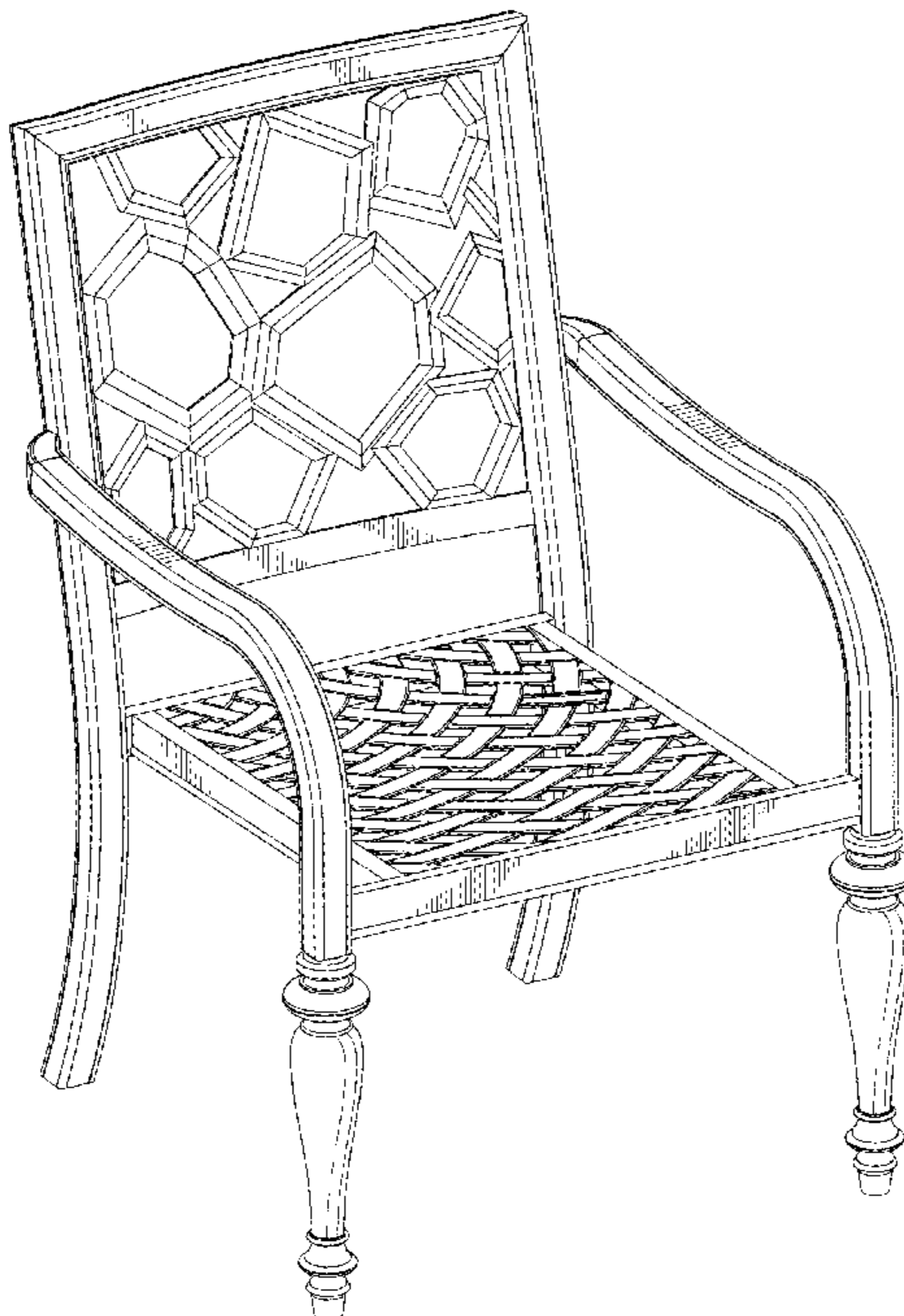
FIG. 5 is a right side elevation view of the chair of FIG. 1;

FIG. 6 is a left side elevation view of the chair of FIG. 1;

FIG. 7 is a top plan view of the chair of FIG. 1; and,

FIG. 8 is a bottom plan view of the chair of FIG. 1.

1 Claim, 8 Drawing Sheets



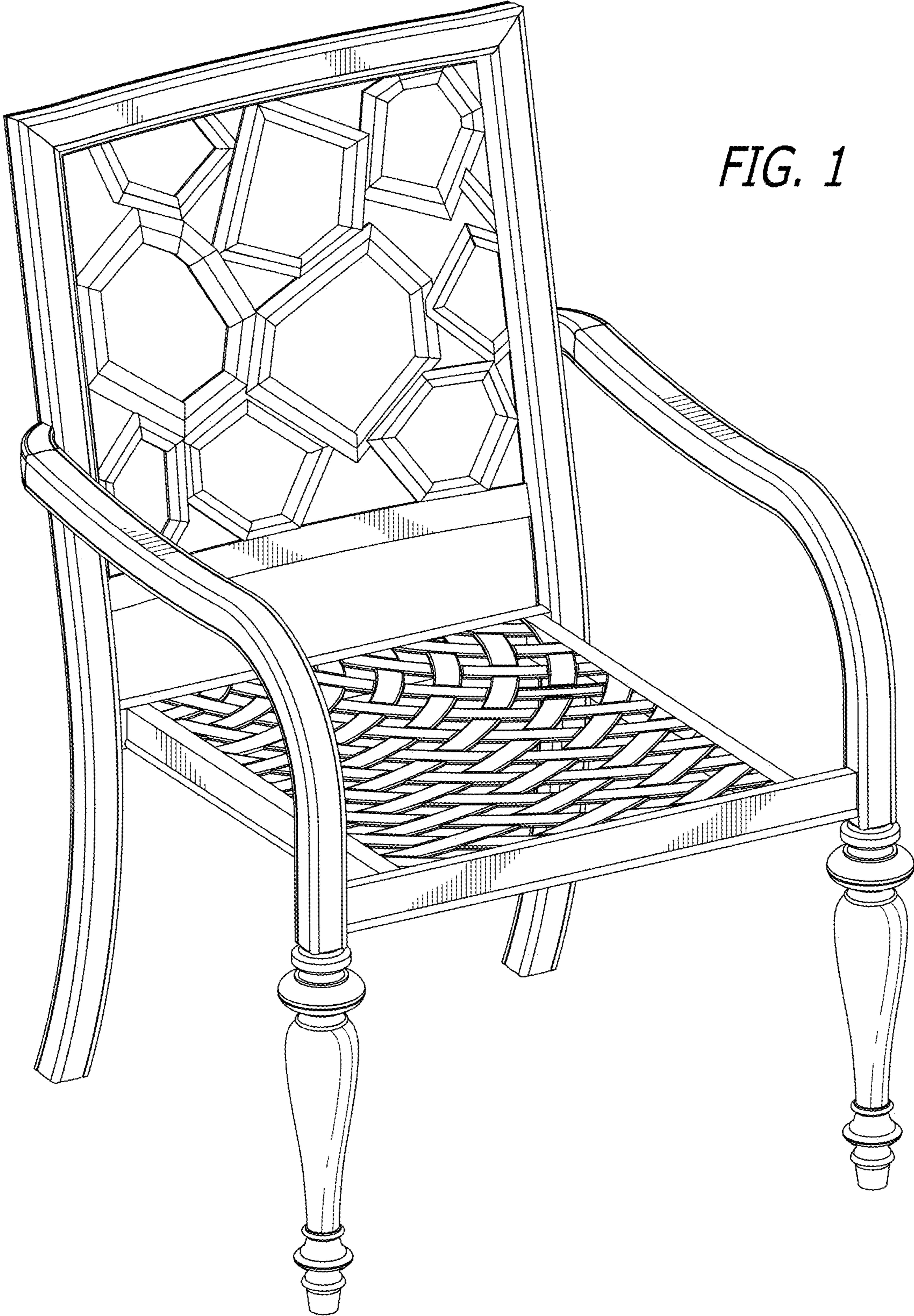
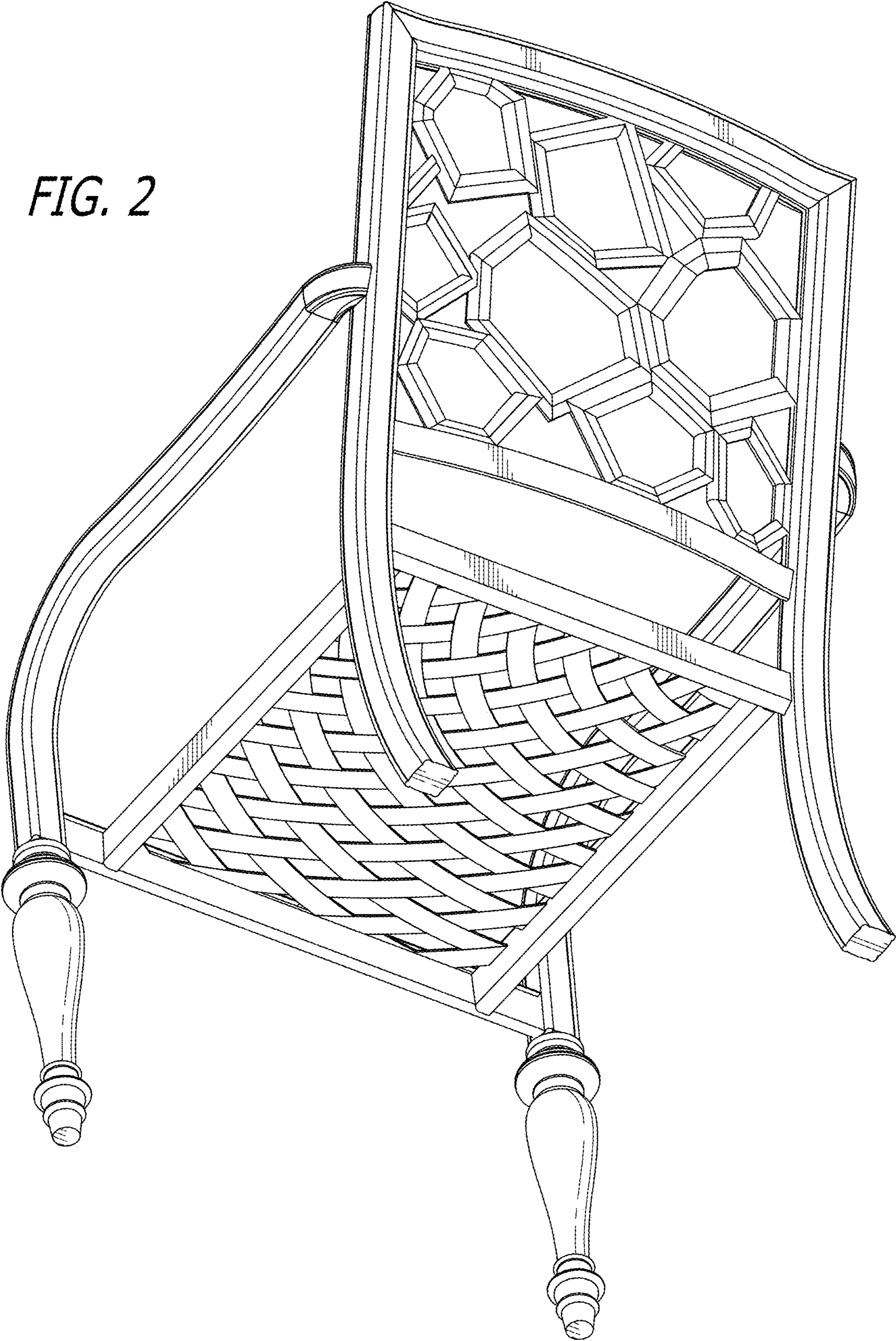


FIG. 1

FIG. 2



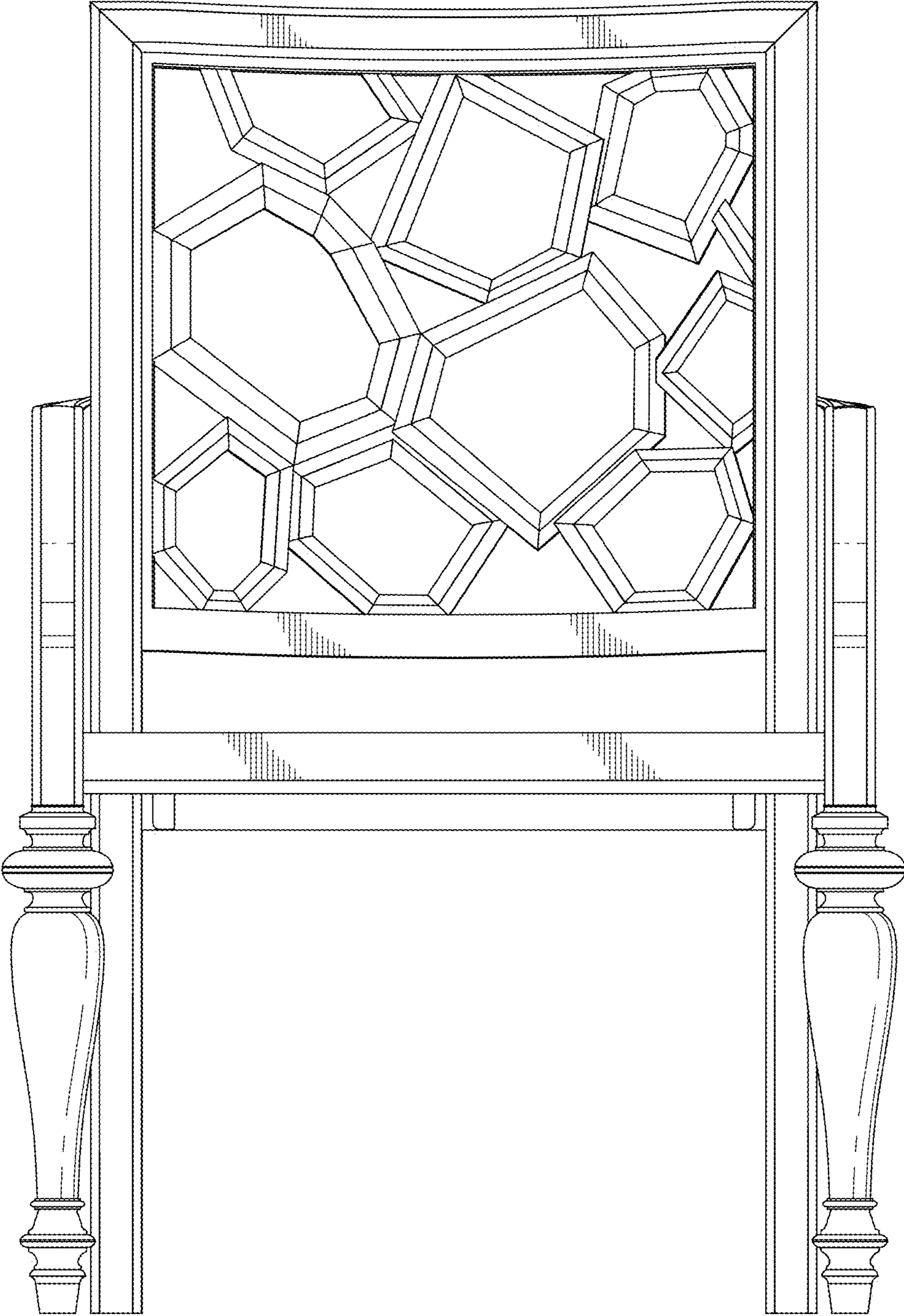


FIG. 3

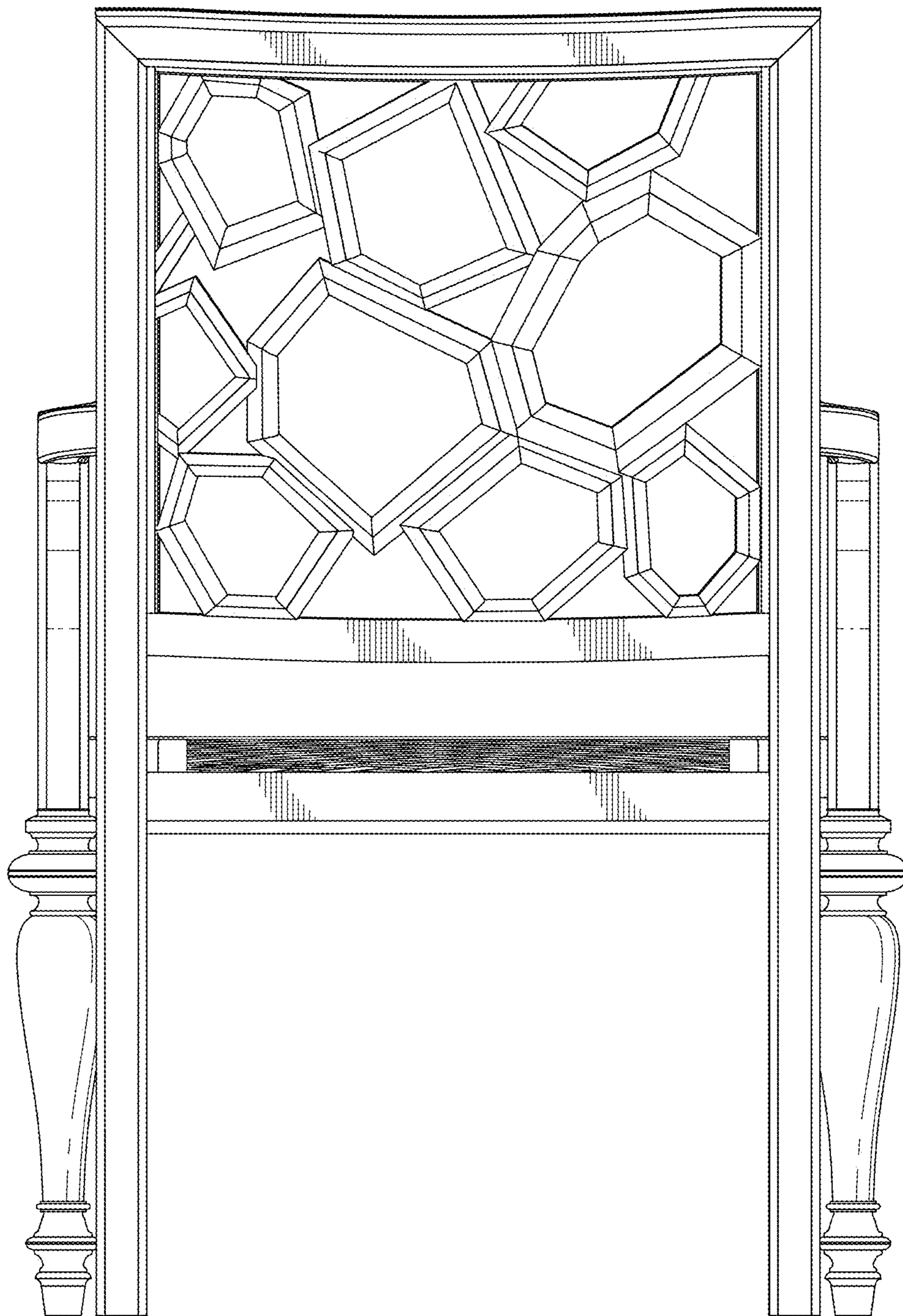


FIG. 4

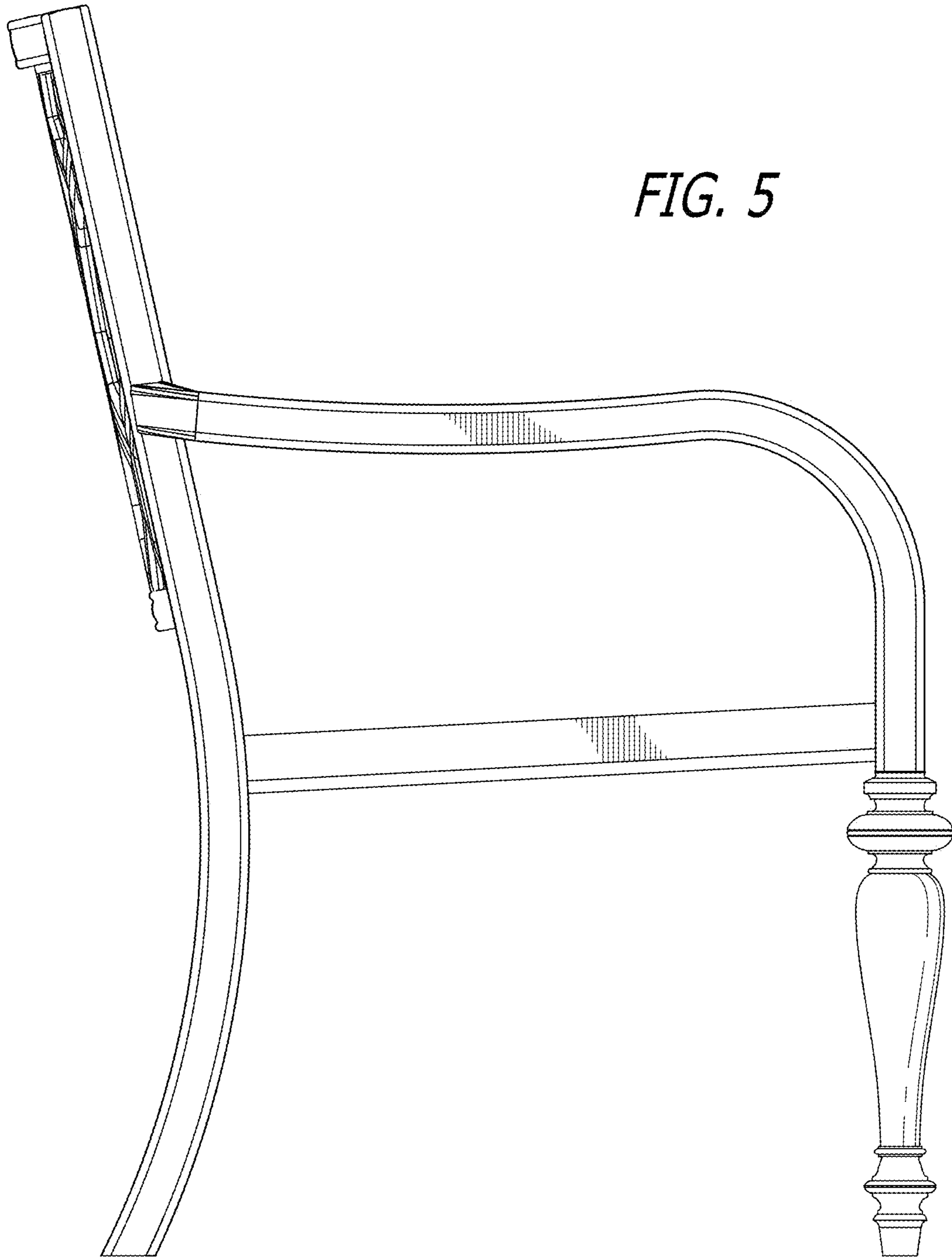
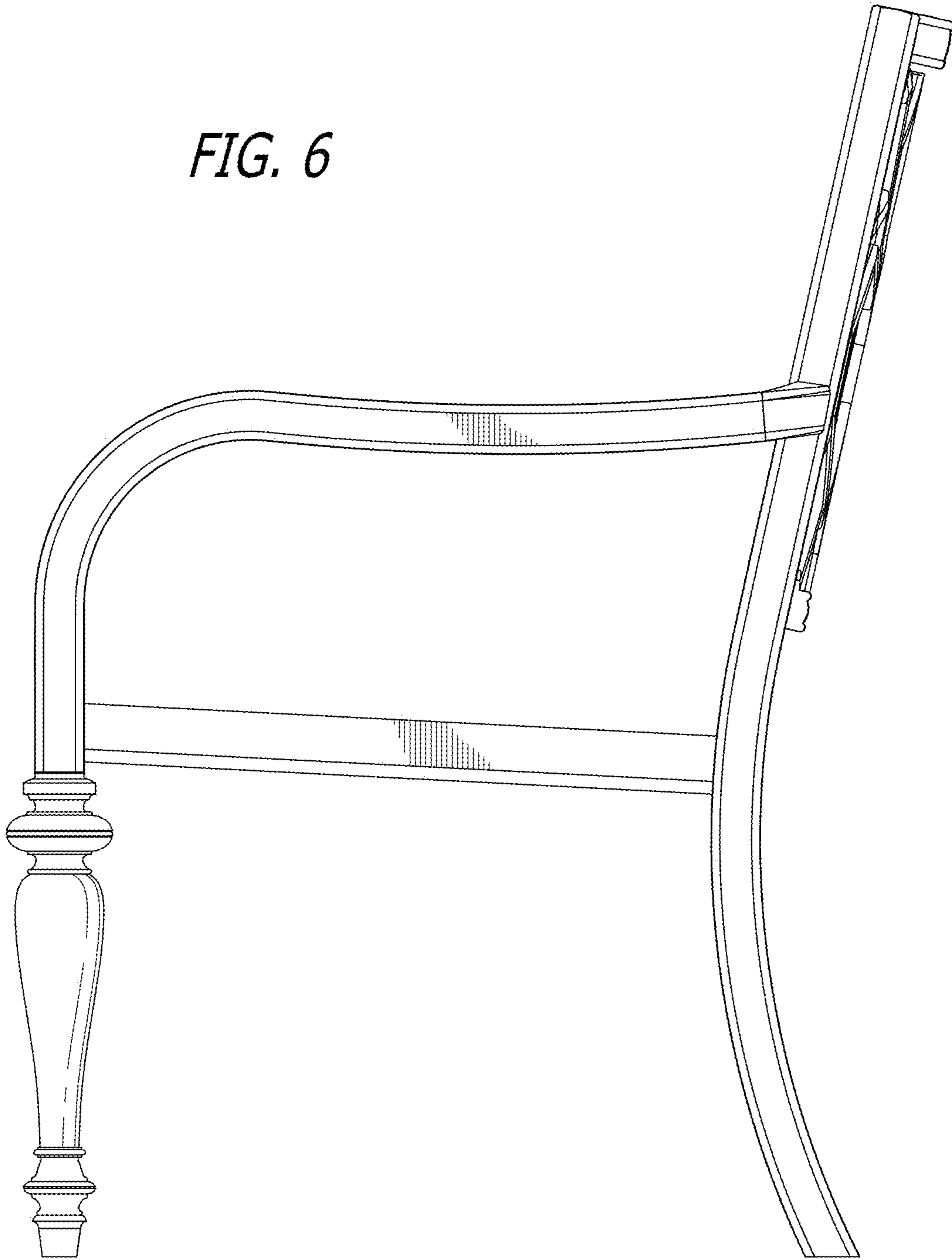


FIG. 6



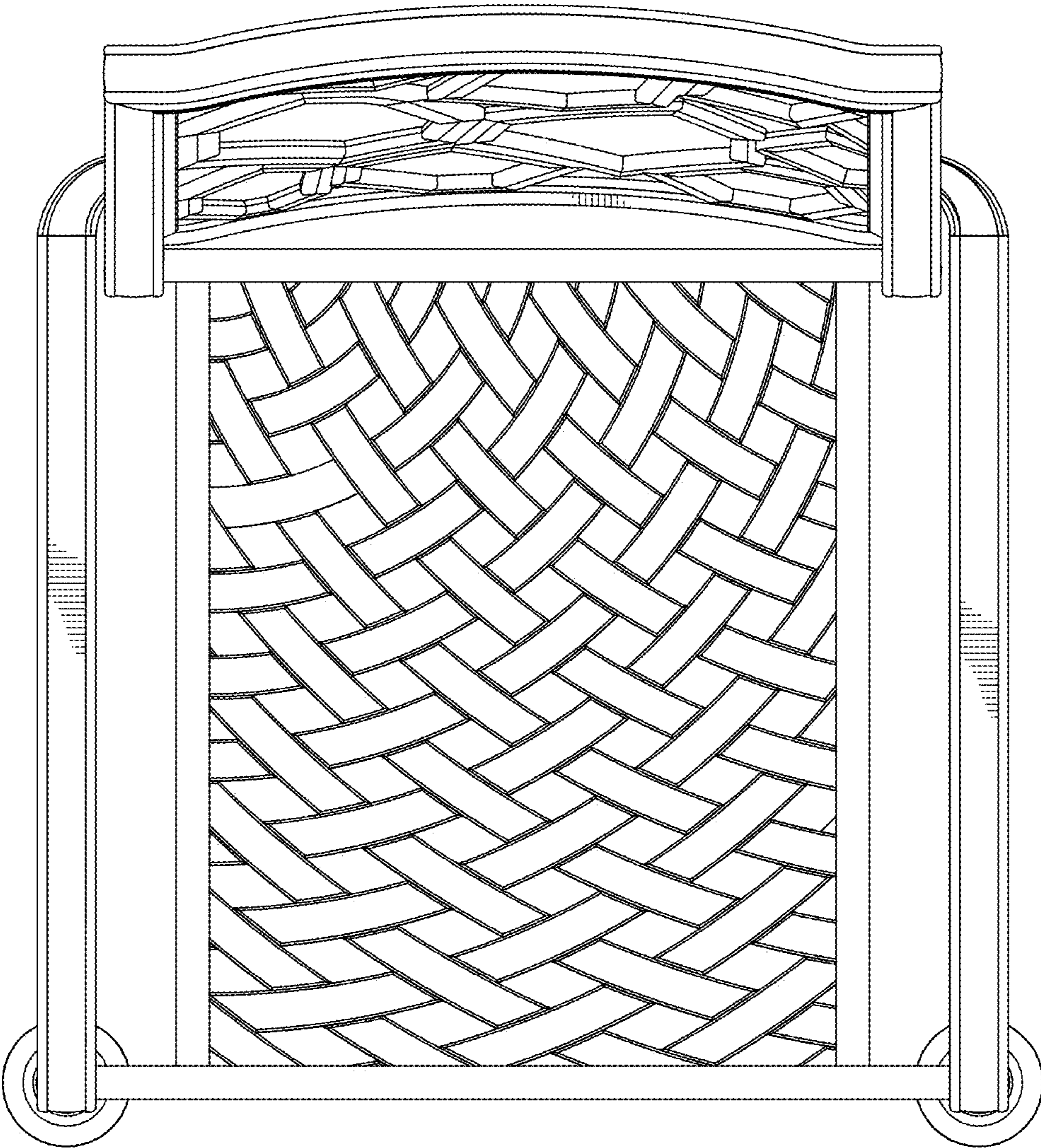


FIG. 7

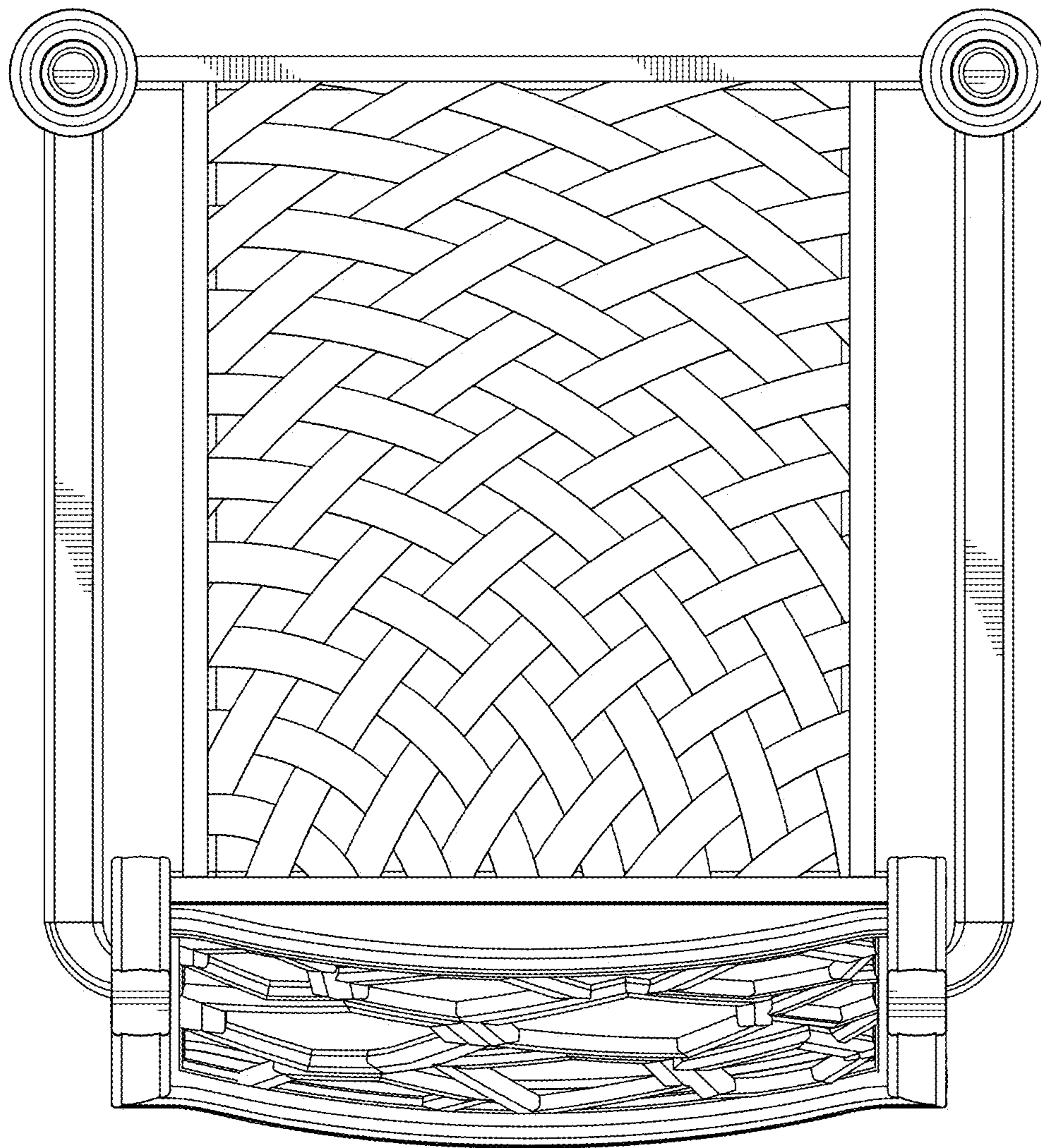


FIG. 8