



US00D929761S

(12) **United States Design Patent** (10) **Patent No.:** **US D929,761 S**
Xiao (45) **Date of Patent:** **** Sep. 7, 2021**

(54) **CHAIR**
(71) Applicant: **TAIZHOU SUKK FURNITURE CO., LTD**, Zhejiang (CN)
(72) Inventor: **Shuangshuang Xiao**, Zhejiang (CN)
(73) Assignee: **TAIZHOU SUKK FURNITURE CO., LTD**, Taizhou (CN)

D569,639 S 5/2008 Swanson
D660,040 S 5/2012 Bogdan et al.
D752,354 S * 3/2016 Fairbanks D6/370
D781,611 S 3/2017 Westfall
D865,425 S 11/2019 Snowden
D899,801 S * 10/2020 White, III D6/370
D906,713 S * 1/2021 White, III D6/370

(**) Term: **15 Years**
(21) Appl. No.: **29/769,978**
(22) Filed: **Feb. 9, 2021**

(30) **Foreign Application Priority Data**
Dec. 2, 2020 (EM) 008304919-0001
Dec. 2, 2020 (EM) 008304919-0002
(51) **LOC (13) Cl.** **06-01**
(52) **U.S. Cl.**
USPC **D6/370**
(58) **Field of Classification Search**
USPC D6/334-336, 370, 374, 379, 380, 716,
D6/716.1, 716.2, 716.3, 716.4
CPC A47C 3/04; A47C 4/02; A47C 4/03; A47C
4/08; A47C 5/12; A47C 7/16; A47C
4/024; A47C 4/025; A47C 7/54
See application file for complete search history.

(56) **References Cited**
U.S. PATENT DOCUMENTS
D68,027 S * 8/1925 Wurack D6/370
D523,653 S 6/2006 Peek et al.

OTHER PUBLICATIONS

Modern Poly Adirondack Chair, Deep Blue, from houzz.com, Retrieved Date: Jun. 14, 2021, p. 1, from https://www.houzz.com/products/modern-poly-adirondack-chair-deep-blue-prvw-vr~49901482?m_refid=PLA_HZ_49901482 (Year: 2021).*

* cited by examiner

Primary Examiner — Mimososa De

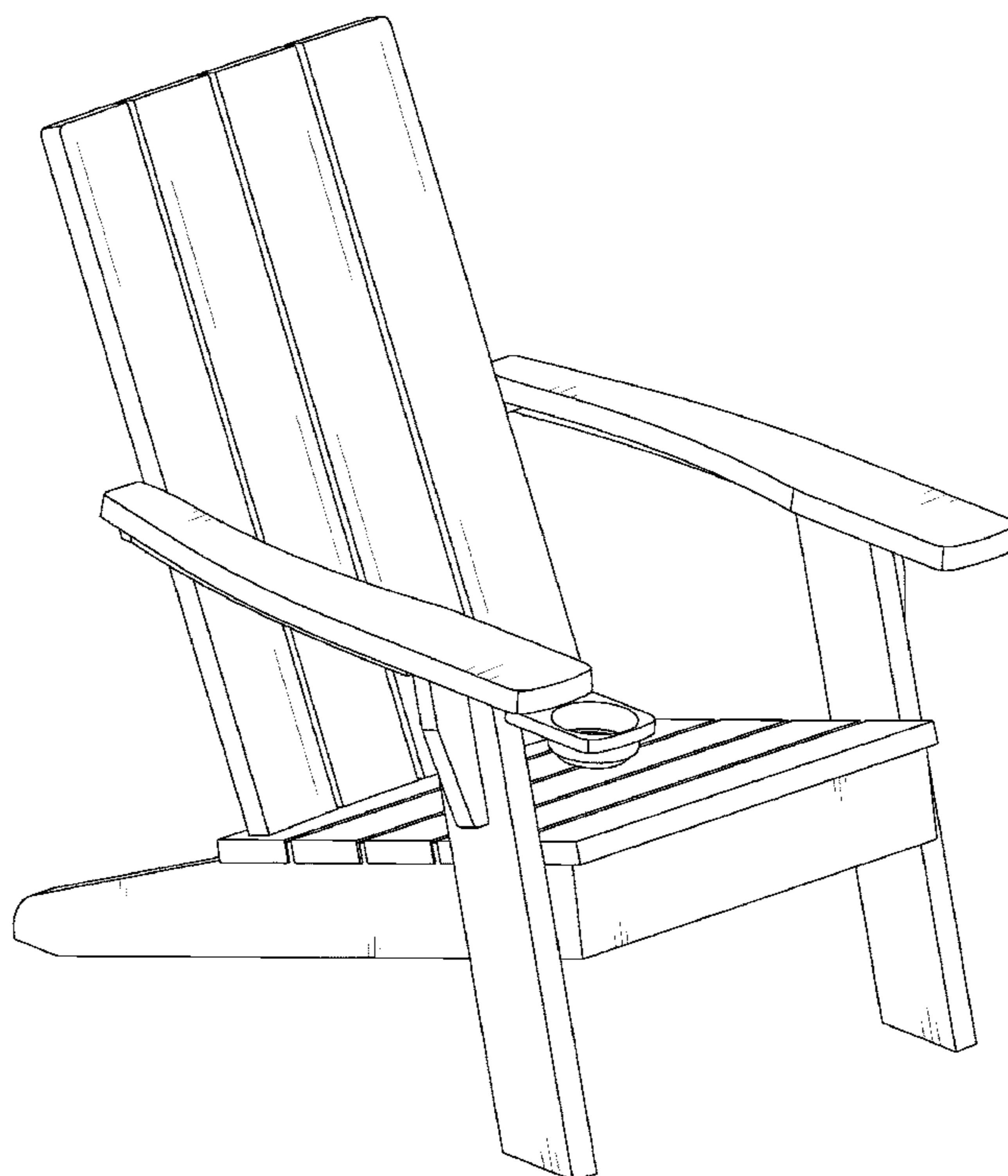
(57) **CLAIM**

The ornamental design for a chair, as shown and described.

DESCRIPTION

FIG. 1 is a perspective view of a chair showing my new design;
FIG. 2 is a front elevational view thereof;
FIG. 3 is a rear elevational view thereof;
FIG. 4 is a left side elevational view thereof;
FIG. 5 is a right side elevational view thereof; and,
FIG. 6 is a top plan view thereof.
The broken lines in the drawings depict portions of the chair that form no part of the claimed design.

1 Claim, 6 Drawing Sheets



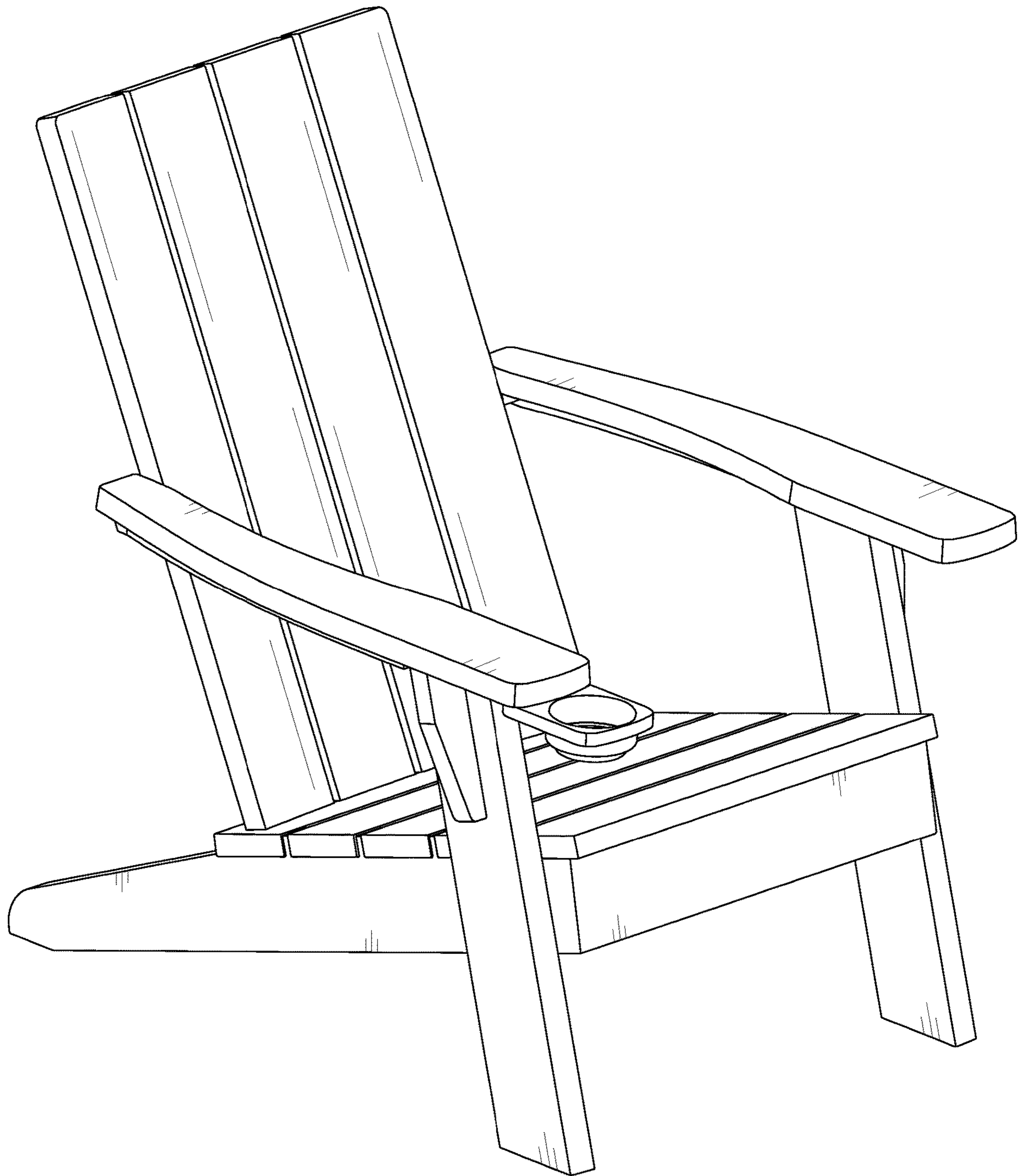


FIG. 1

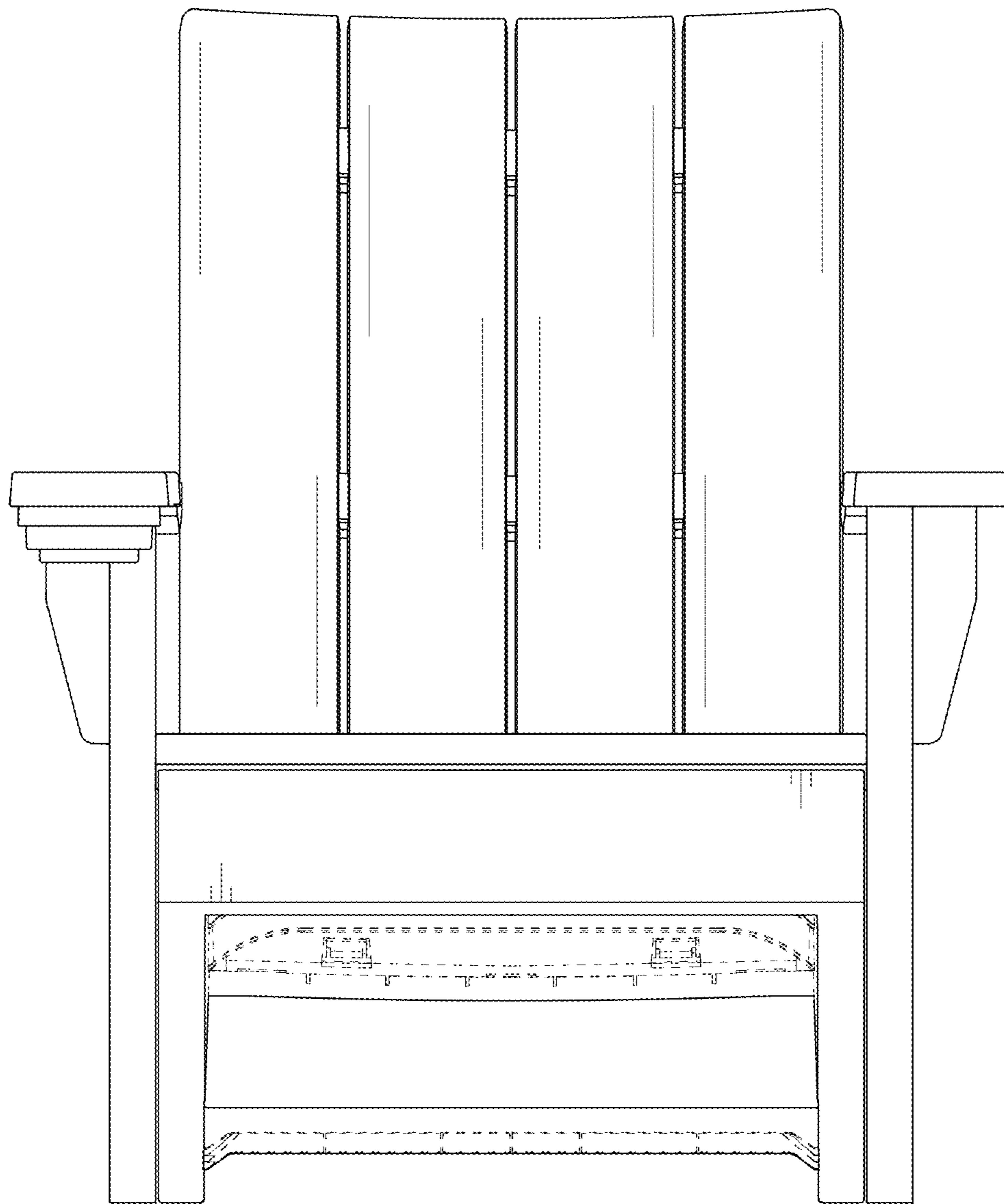


FIG. 2

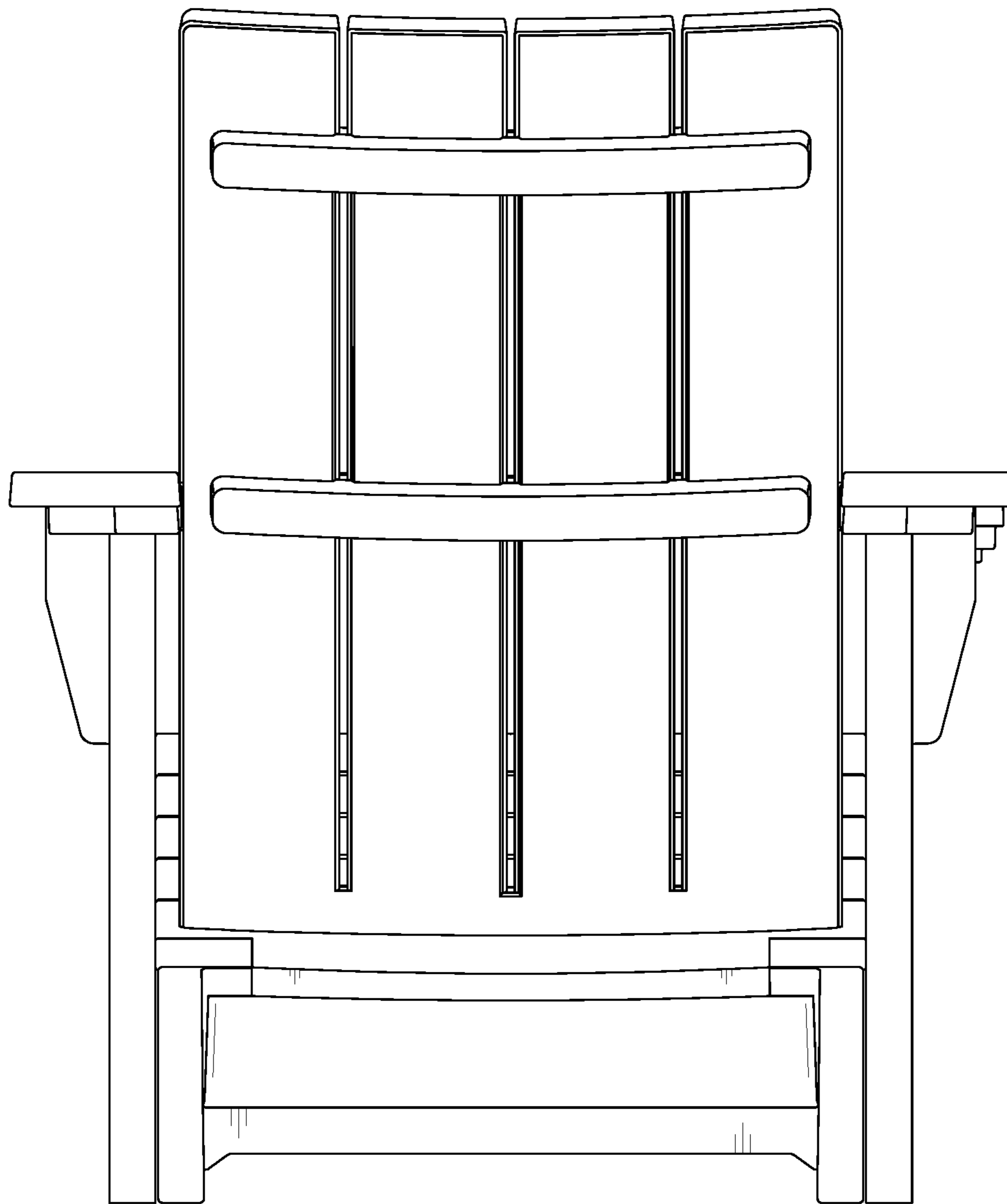


FIG. 3

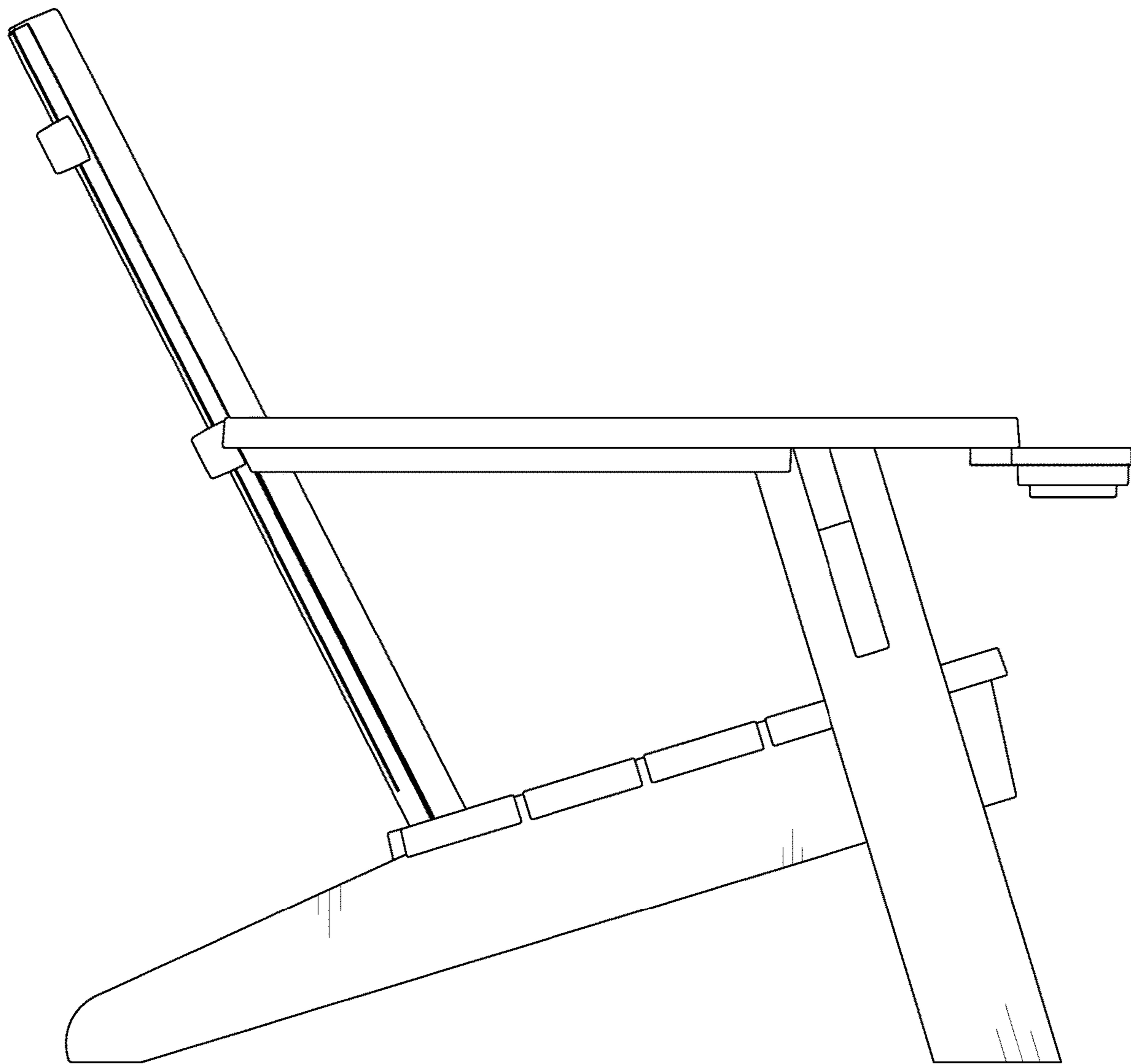


FIG. 4

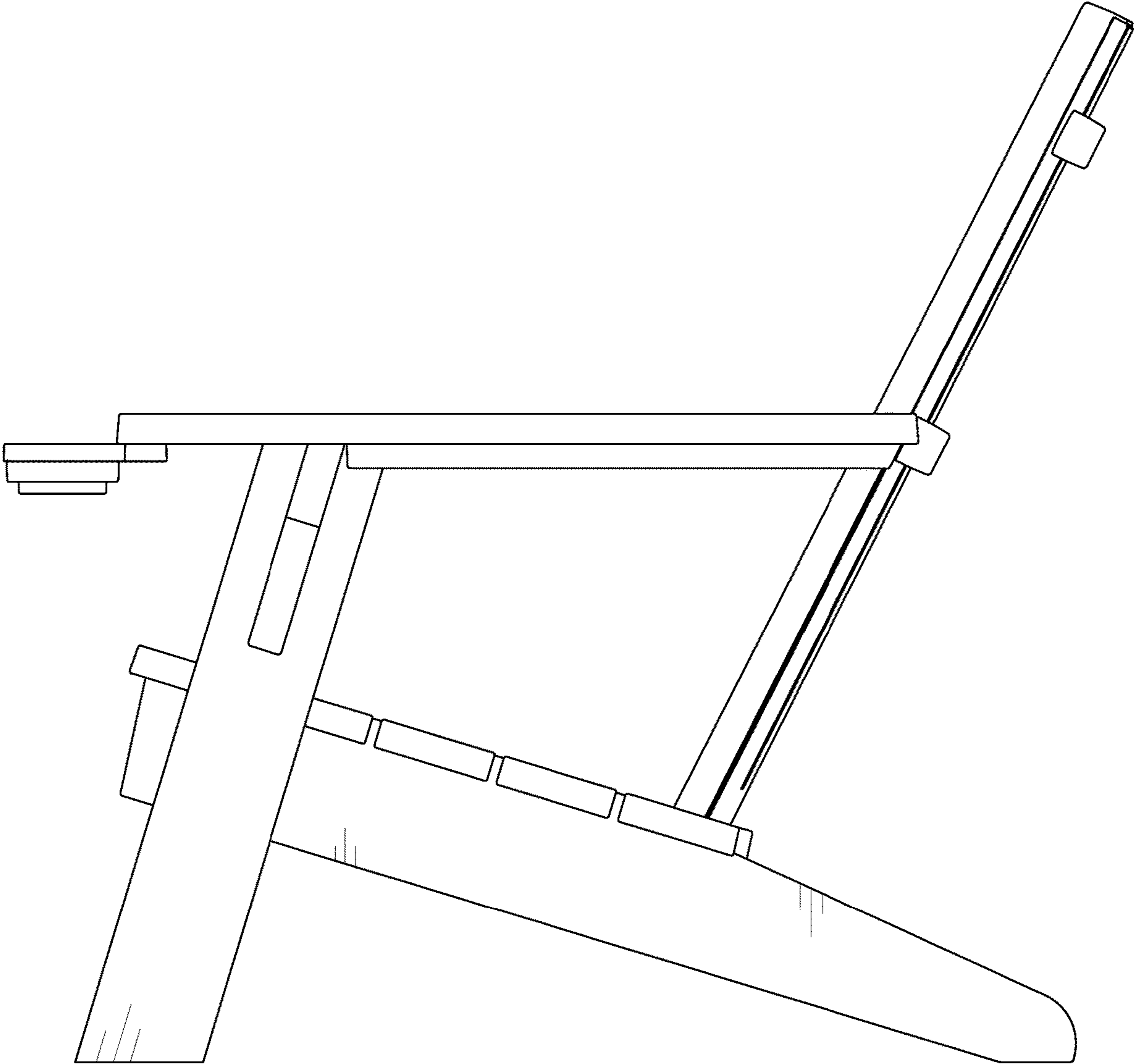


FIG. 5

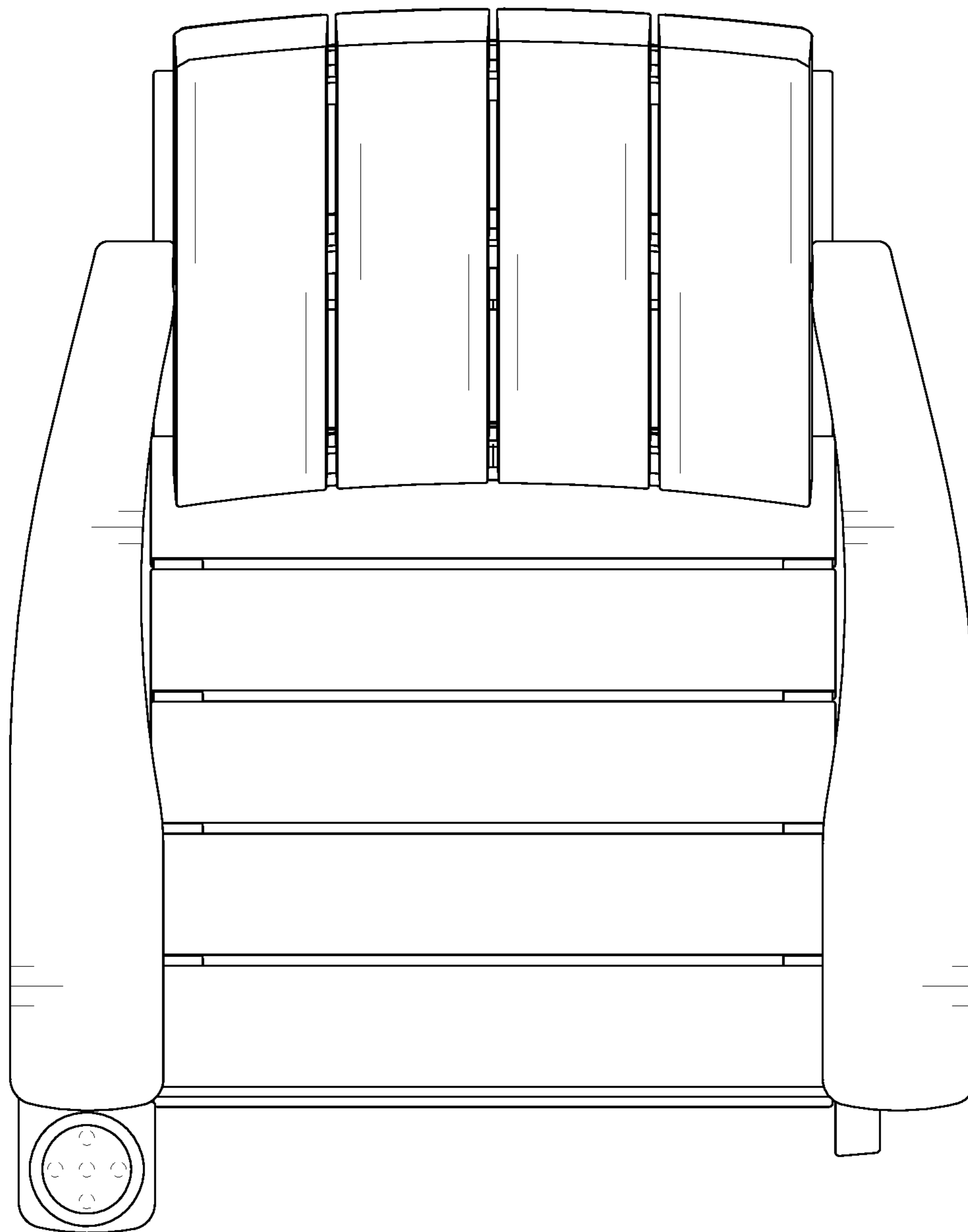


FIG. 6