



US00D929758S

(12) **United States Design Patent**
Hutchinson et al.

(10) **Patent No.:** **US D929,758 S**

(45) **Date of Patent:** **** Sep. 7, 2021**

(54) **FOLDABLE BEACH OR LAWN CHAIR**

6,250,712 B1 * 6/2001 Livingston A47C 1/146
297/129

(71) Applicant: **LowTides OP, LLC**, Wilmington, DE
(US)

6,827,396 B1 * 12/2004 Jewell A47C 7/002
297/16.1

(72) Inventors: **Brenton Hutchinson**, Red Bank, NJ
(US); **Joshua Daniel**
Grothman-Pelton, New Rochelle, NY
(US)

6,840,574 B1 * 1/2005 Wu A47C 4/283
297/45

(Continued)

(**) Term: **15 Years**

Primary Examiner — Kevin K Rudzinski

Assistant Examiner — Paul D Bohannon

(74) *Attorney, Agent, or Firm* — Caesar, Rivise, PC

(21) Appl. No.: **29/682,848**

(22) Filed: **Mar. 8, 2019**

(57) **CLAIM**

(51) **LOC (13) Cl.** **06-01**

The ornamental design for the foldable beach or lawn chair,
as shown and described.

(52) **U.S. Cl.**

USPC **D6/368**

(58) **Field of Classification Search**

USPC D6/335, 367, 368, 716, 716.4; D21/521
CPC A47B 5/00; A47C 1/02; A47C 1/14; A47C
1/03244; A47C 1/032; A47C 3/18; A47C
4/20; A47C 4/28; A47C 4/30; A47C 4/42;
A47C 4/46; A47C 4/54; A47C 4/286;
A47C 7/06; A47C 7/24; A47C 7/66;
A47C 7/68; A47C 7/62; A47C 7/624;
A47C 7/622; A47C 7/407; A47C 7/425;
A47C 9/06; A47C 9/00; A47C 9/10;
A47C 9/105; A47C 11/00; A47C 11/005;
A47C 15/00; A47C 21/00; A47C 31/00;
A01M 31/00; A01M 31/02; A01M
31/025; A45F 3/22; A45F 3/24; A47G
9/06; A61G 7/10; A63B 63/00; B60N
2/04; B25H 1/14; B25H 1/12; B25H
1/04; E04H 15/30; F16M 11/22; F42B
12/38; F41A 23/14; F41A 23/16; F41A
23/18; F41C 27/00; Y10S 135/901

See application file for complete search history.

DESCRIPTION

FIG. 1 is an isometric view taken from one angle of the
foldable beach or lawn chair in accordance with our new
design;

FIG. 2 is an isometric view, similar to FIG. 1, but taken from
another angle of the foldable beach or lawn chair in accor-
dance with our new design;

FIG. 3 is a front elevation view of the foldable beach or lawn
chair shown in FIGS. 1 and 2;

FIG. 4 is a rear elevation view of the foldable beach or lawn
chair shown in FIGS. 1 and 2;

FIG. 5 is a left side elevation view of the foldable beach or
lawn chair shown in FIGS. 1 and 2;

FIG. 6 is a right side elevation view of the foldable beach or
lawn chair shown in FIGS. 1 and 2;

FIG. 7 is a top plan view of the foldable beach or lawn chair
shown in FIGS. 1 and 2; and,

FIG. 8 is a bottom plan view of the foldable beach or lawn
chair shown in FIGS. 1 and 2.

The broken lines shown in the drawings are for the purpose
of illustrating portions of the folded beach or lawn chair and
form no part of the claimed design.

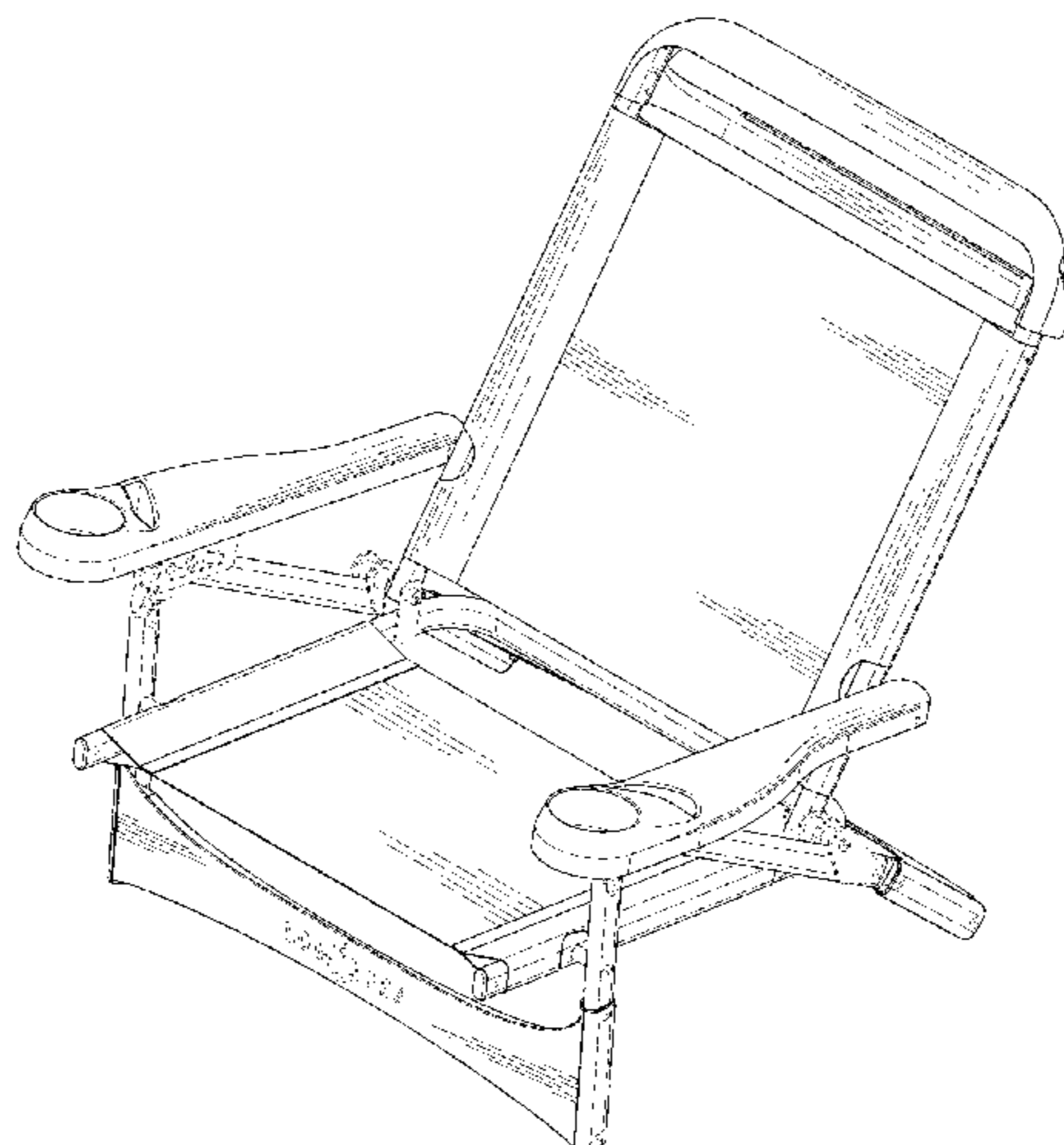
(56) **References Cited**

U.S. PATENT DOCUMENTS

3,151,909 A * 10/1964 Gerdetz A47C 31/11
297/188.2

6,095,607 A * 8/2000 Wenzel A47C 3/34
297/118

1 Claim, 8 Drawing Sheets



(56)

References Cited

U.S. PATENT DOCUMENTS

D555,371	S *	11/2007	Le Gal	D6/335
D609,484	S *	2/2010	Satoshi	D6/368
D624,326	S *	9/2010	Torres	D6/368
D639,577	S *	6/2011	Tseng	D6/368
D651,010	S *	12/2011	Cohen	D6/368
D719,751	S *	12/2014	Nelson	D6/368
D762,394	S *	8/2016	Hardesty	D6/368
9,808,091	B1 *	11/2017	Goldszer	A47C 7/624
D804,232	S *	12/2017	Oliphant	D6/716.1
D804,880	S *	12/2017	Oliphant	D6/716.4
10,194,749	B1 *	2/2019	Doolan	A47C 5/10
D844,338	S *	4/2019	Franks	D6/368
D849,437	S *	5/2019	Yang	D6/368
10,463,157	B1 *	11/2019	Liniado	A47C 4/28
2007/0057540	A1 *	3/2007	Brenner	A47C 7/624 297/188.01
2009/0309395	A1 *	12/2009	Curcio	A47C 7/62 297/188.19
2012/0280549	A1 *	11/2012	Goldszer	A47C 4/28 297/359
2019/0045908	A1 *	2/2019	Zhu	A45F 3/14
2019/0054983	A1 *	2/2019	Barwick	A47C 1/146
2019/0374033	A1 *	12/2019	Grace	A45F 3/14
2020/0076351	A1 *	3/2020	Belverio	H02S 10/40
2020/0214450	A1 *	7/2020	Garrison	A47C 3/0252
2020/0214451	A1 *	7/2020	Garrison	A47C 13/00
2020/0405055	A1 *	12/2020	Sun	A47C 4/30

* cited by examiner

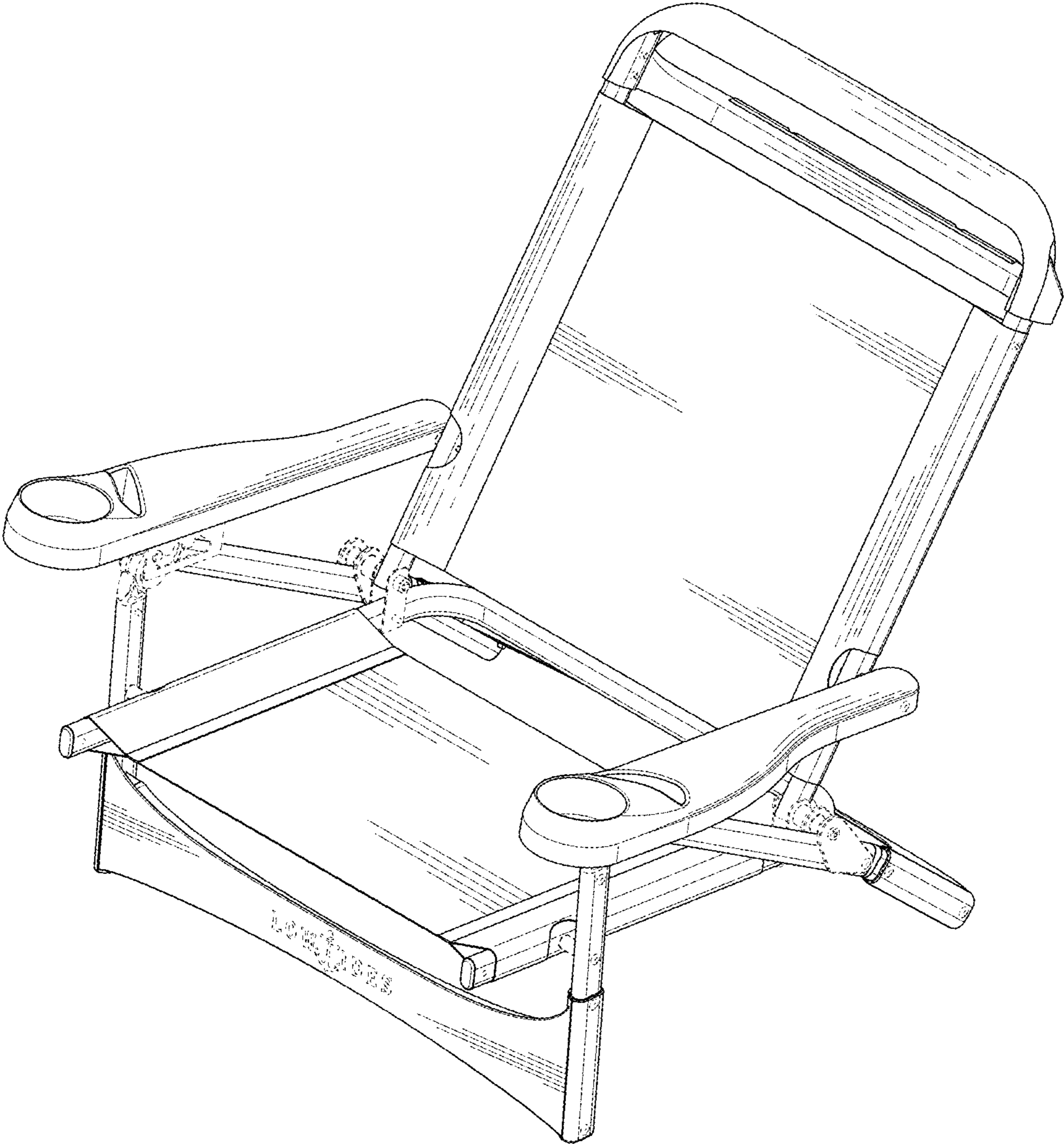


FIG. 1

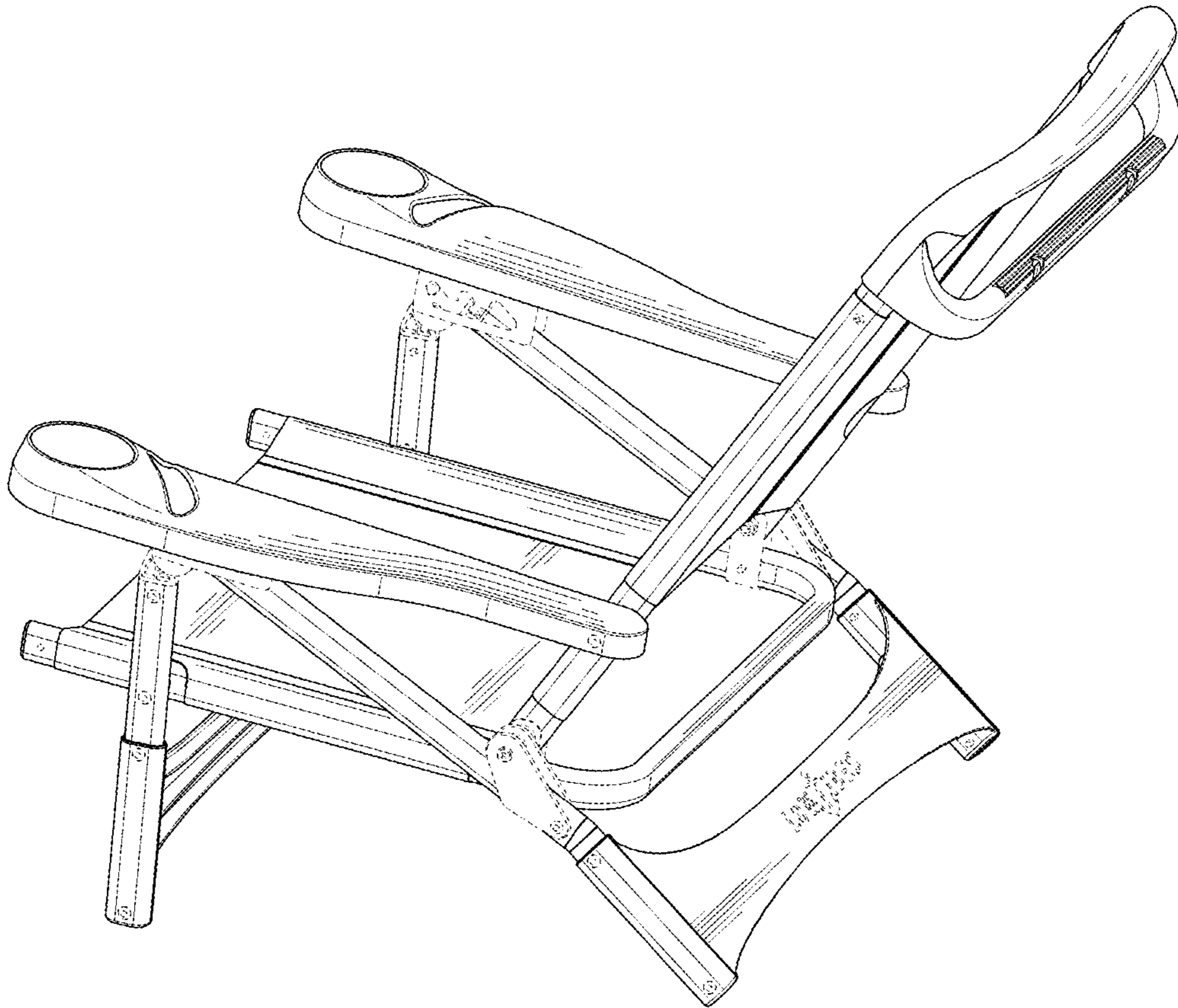


FIG. 2

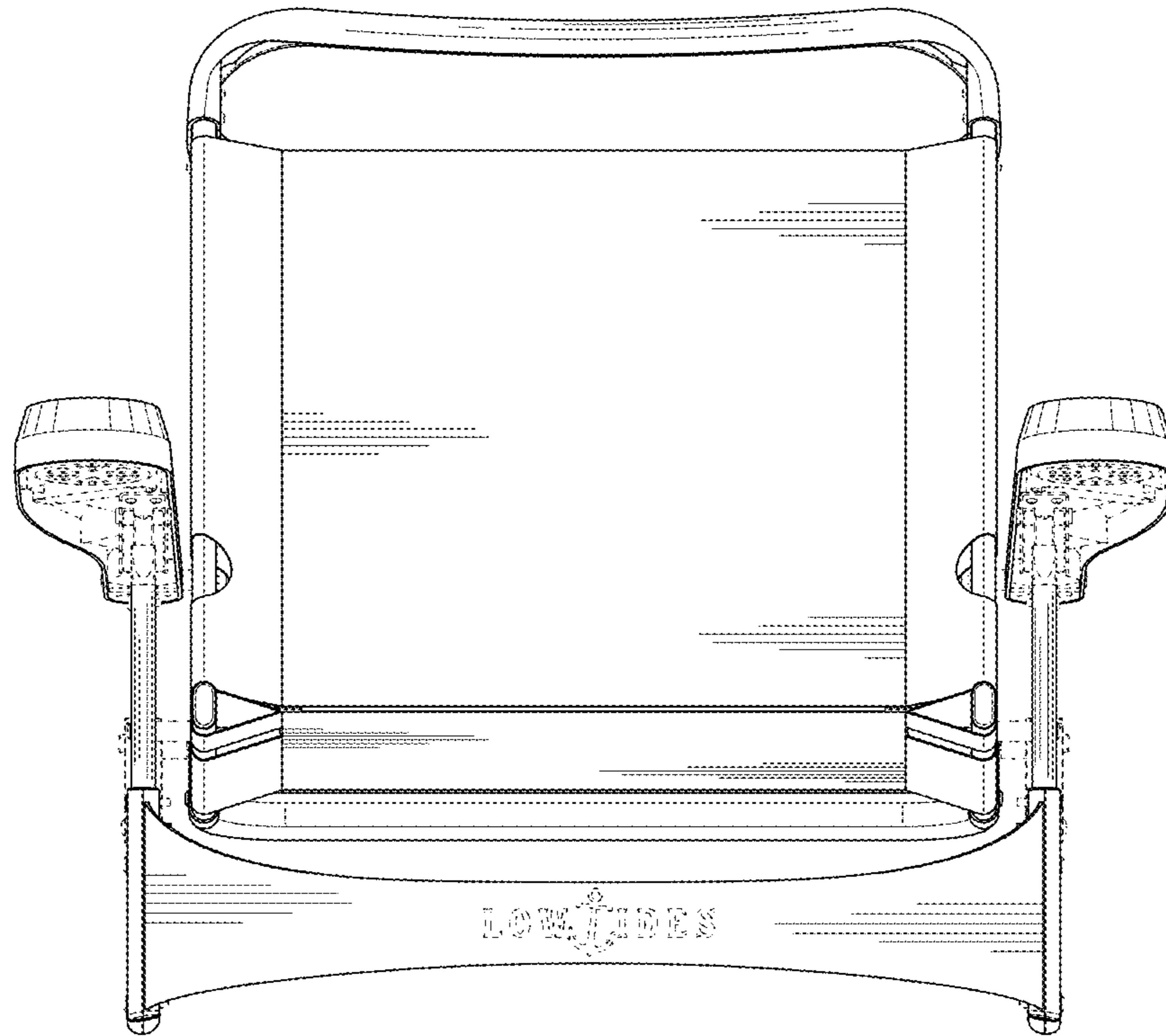


FIG. 3

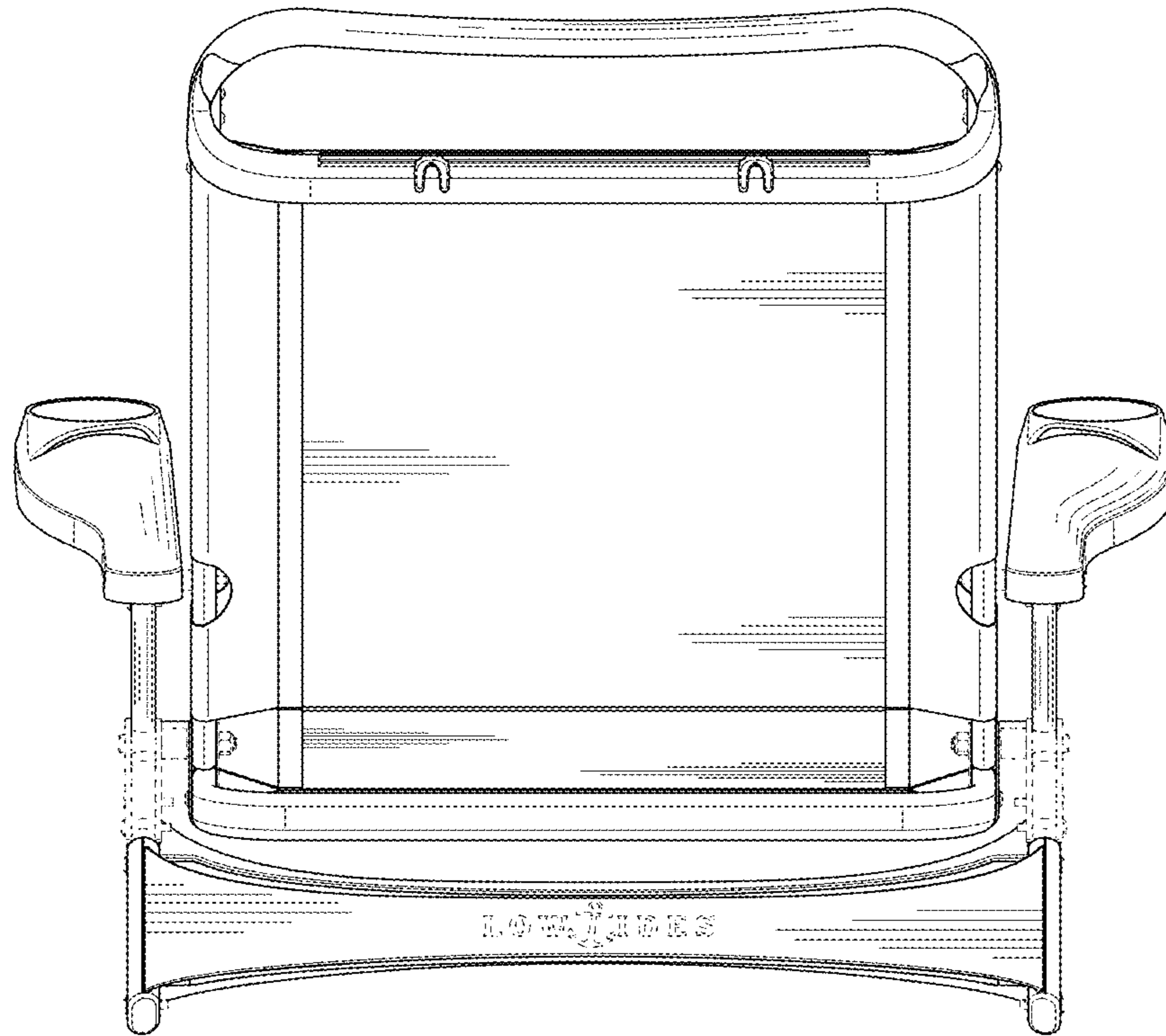


FIG. 4

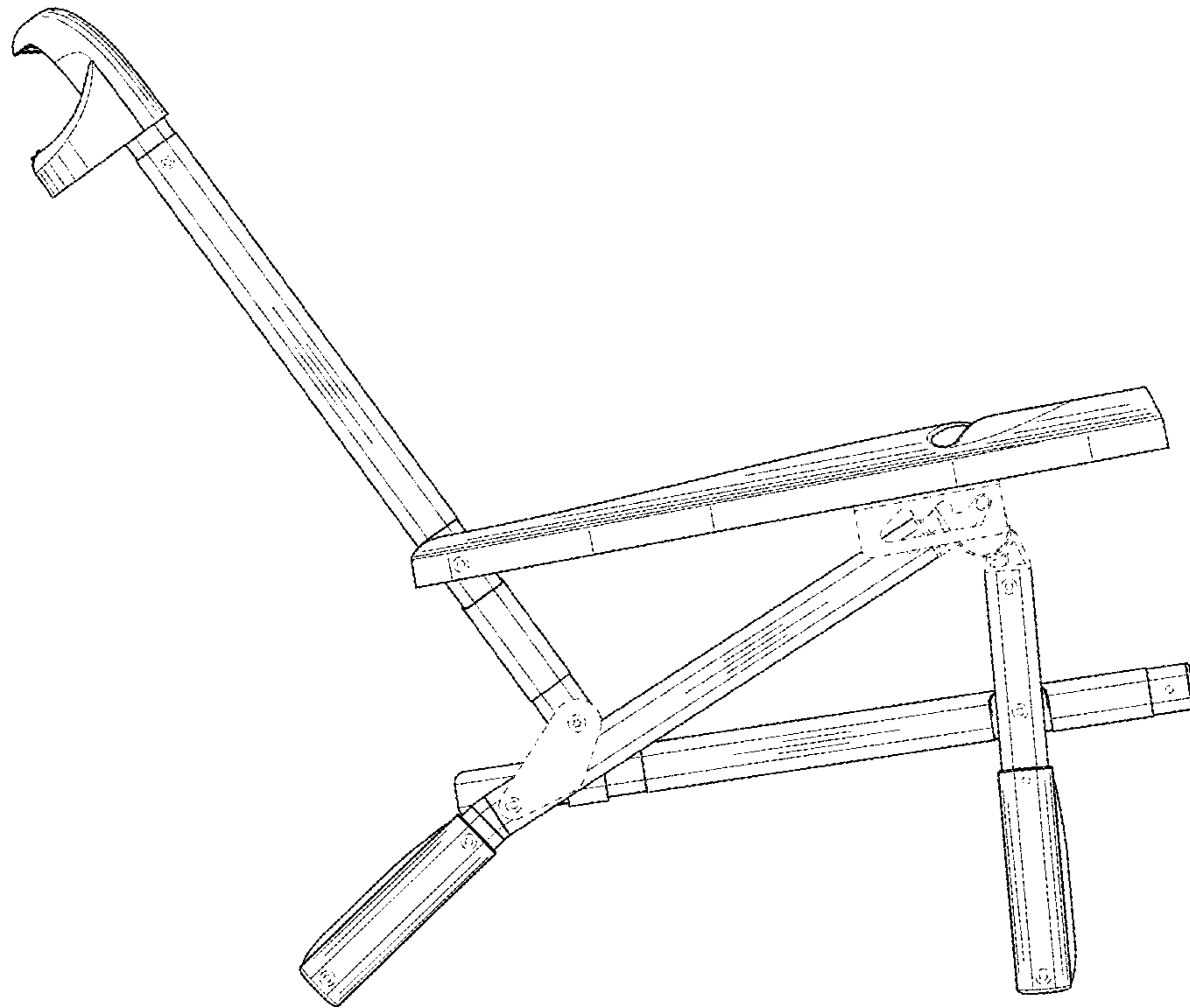


FIG. 5

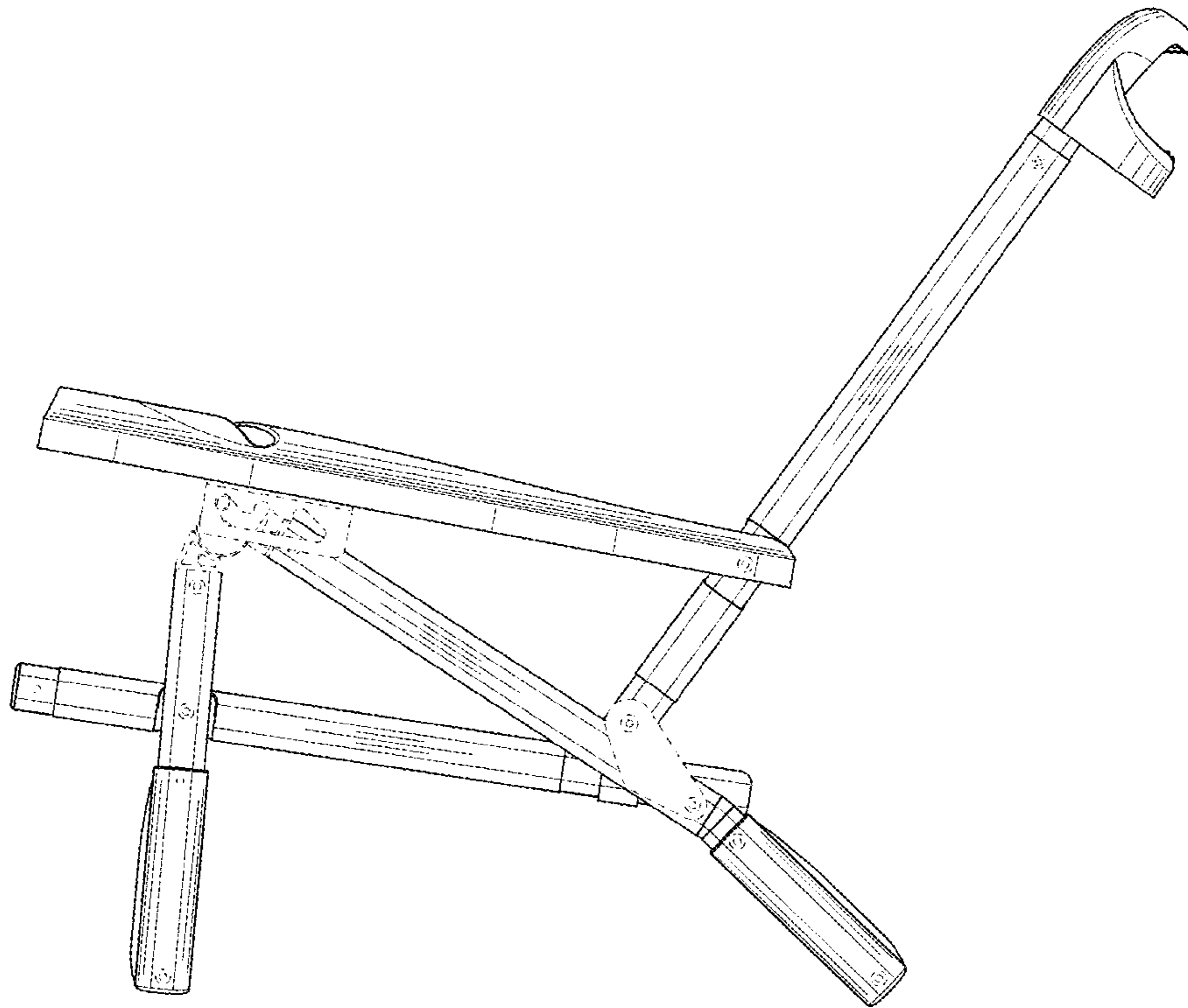


FIG. 6

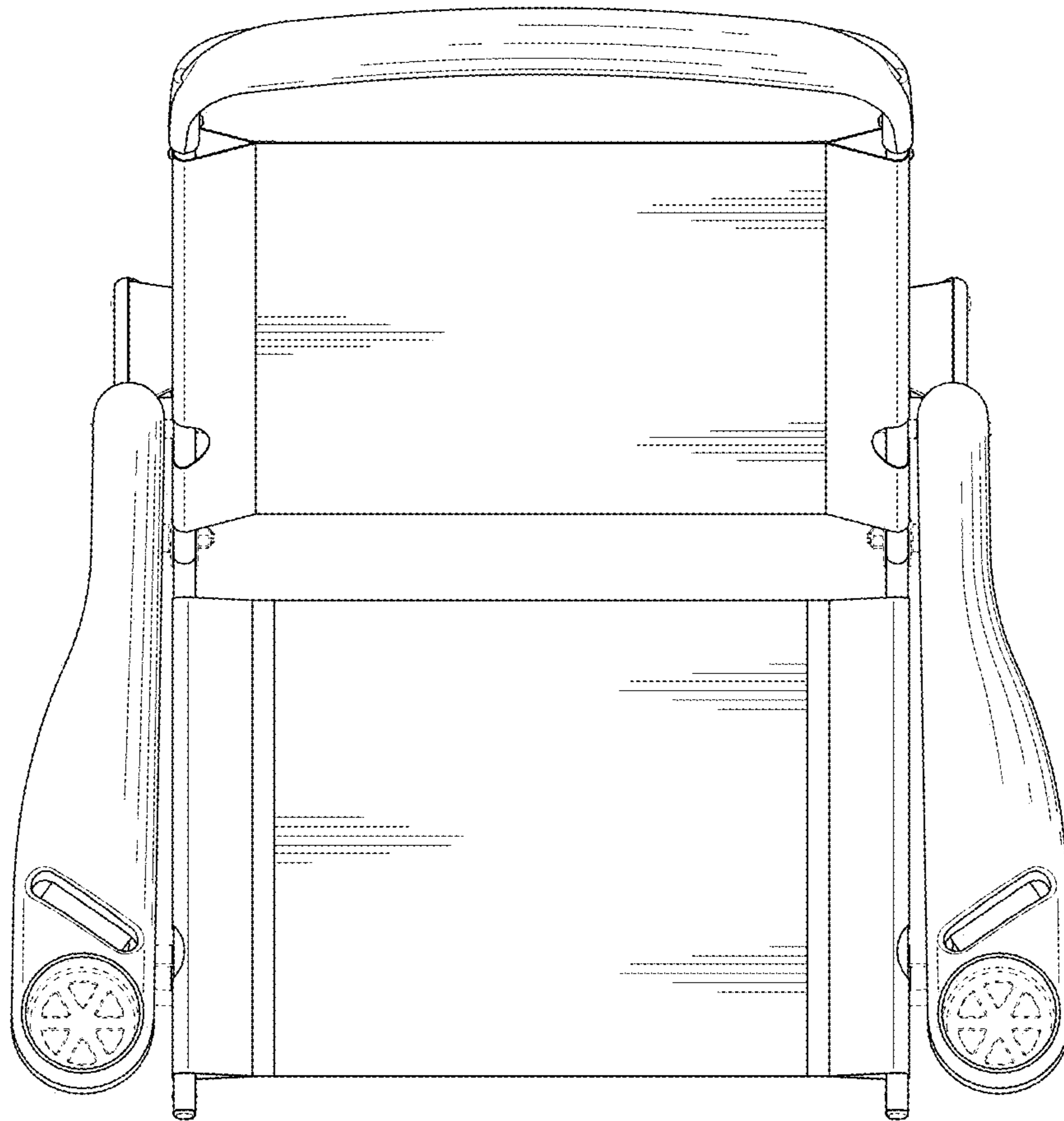


FIG. 7

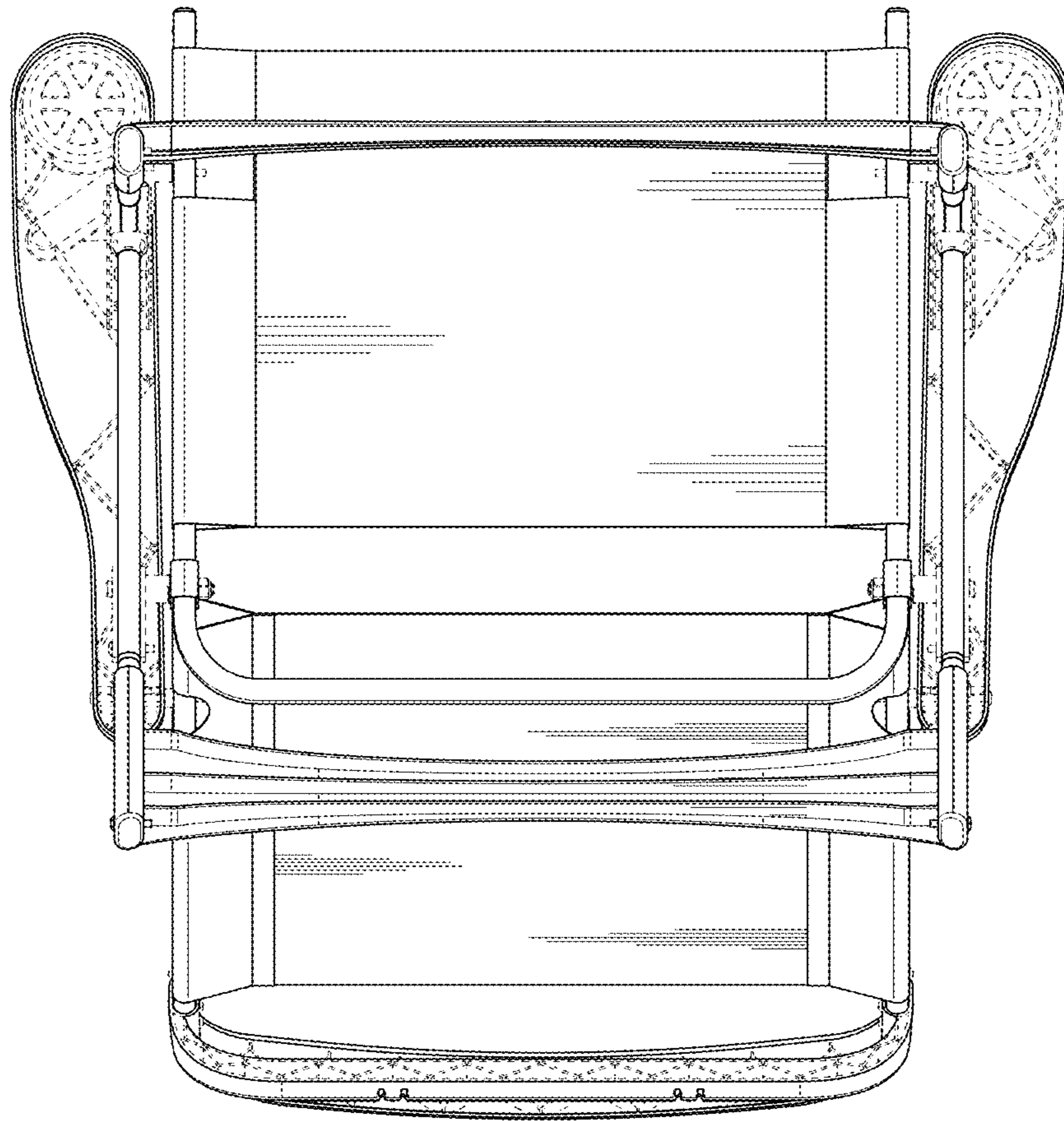


FIG. 8