



US00D929757S

(12) **United States Design Patent**
Feng

(10) **Patent No.:** **US D929,757 S**

(45) **Date of Patent:** **** Sep. 7, 2021**

- (54) **CHAIR**
- (71) Applicant: **Zhejiang Sharing Space Technology Co., Ltd., Hangzhou (CN)**
- (72) Inventor: **Xiaowei Feng, Hangzhou (CN)**
- (73) Assignee: **Zhejiang Sharing Space Technology Co., Ltd., Hangzhou (CN)**
- (**) Term: **15 Years**
- (21) Appl. No.: **29/714,309**
- (22) Filed: **Nov. 22, 2019**
- (51) **LOC (13) Cl.** **06-01**
- (52) **U.S. Cl.**
USPC **D6/366**
- (58) **Field of Classification Search**
USPC D6/366, 365, 364, 334, 374, 375, 379,
D6/716, 716.1, 716.3, 716.7
CPC A47C 3/12; A47C 3/18; A47C 3/20; A47C
7/24; A47C 7/36; A47C 7/46; A47C
7/004; A47C 7/006
See application file for complete search history.

D652,223 S *	1/2012	Fujita	D6/366
D683,150 S *	5/2013	Smith	D6/366
D683,552 S *	6/2013	Wu	D6/366
D697,726 S *	1/2014	Smith	A47C 1/14
				D6/366
D750,911 S *	3/2016	Su	D6/366
D763,587 S *	8/2016	Neil	D6/366
D766,605 S *	9/2016	Li	D6/366
D773,199 S *	12/2016	Neil	D6/366
D773,200 S *	12/2016	Hailong	D6/366
D799,843 S *	10/2017	Chen	D6/366
D802,316 S *	11/2017	Meda	D6/366
D802,953 S *	11/2017	Meda	D6/366
D816,362 S *	5/2018	Su	D6/366
D841,997 S *	3/2019	Chen	D6/366
D848,169 S *	5/2019	Wu	D6/366
D859,866 S *	9/2019	Wu	D6/366
D863,802 S *	10/2019	Wang	D6/366

* cited by examiner

Primary Examiner — Michelle E. Wilson

Assistant Examiner — Clese Moore, Jr.

(74) *Attorney, Agent, or Firm* — Bayramoglu Law Offices LLC

(57) **CLAIM**

The ornamental design for a chair, as shown and described.

DESCRIPTION

FIG. 1 is a perspective view of a chair showing the new design;

FIG. 2 is a front view thereof;

FIG. 3 is a rear view thereof;

FIG. 4 is a left side view thereof;

FIG. 5 is a right side view thereof;

FIG. 6 is a top view thereof; and,

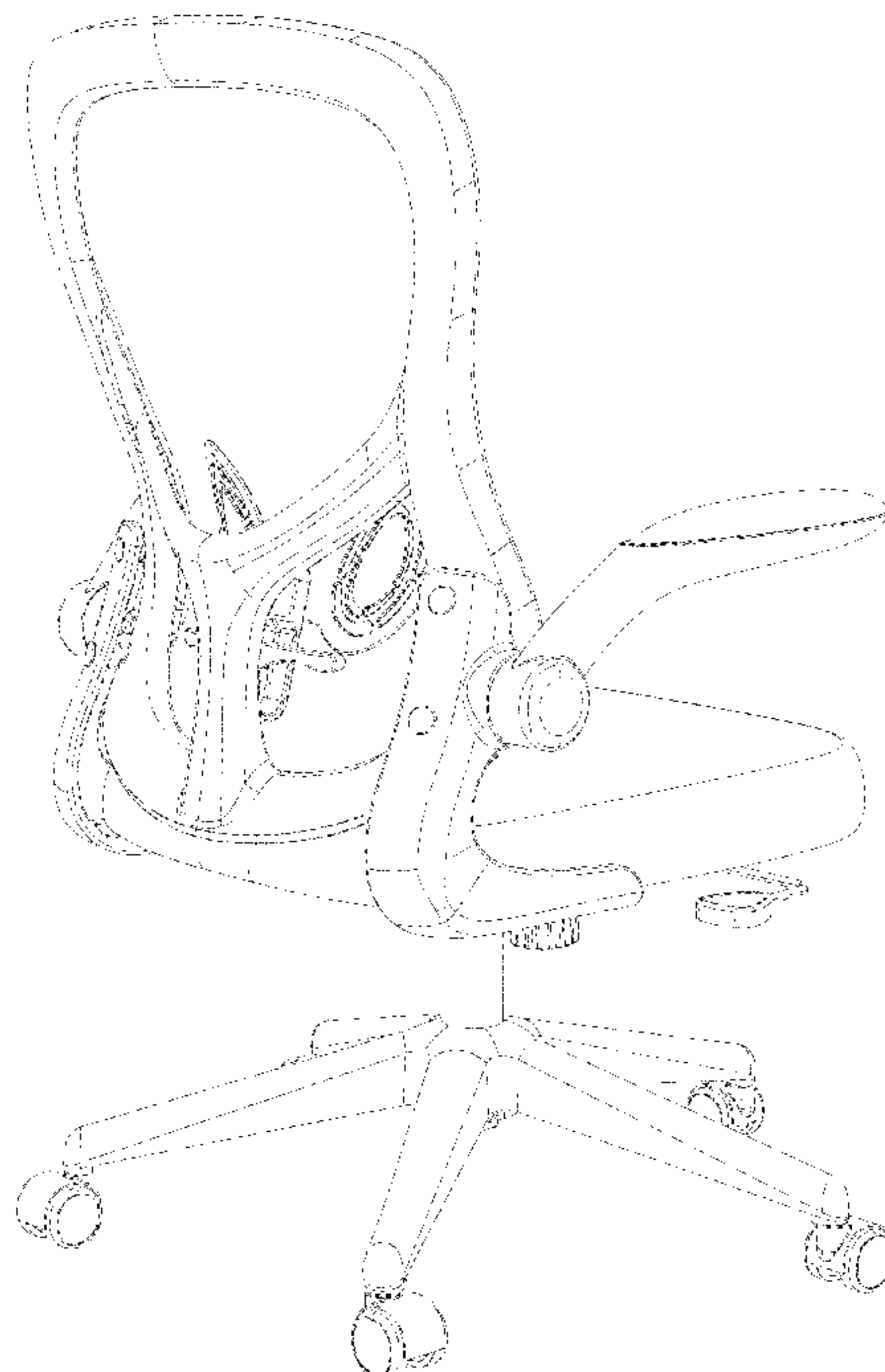
FIG. 7 is another perspective view thereof.

1 Claim, 7 Drawing Sheets

(56) **References Cited**

U.S. PATENT DOCUMENTS

D414,349 S *	9/1999	Jenkins	D6/366
D517,820 S *	3/2006	Citterio	D6/366
D541,063 S *	4/2007	Su	D6/366
D548,992 S *	8/2007	Koepke	D6/366
D550,467 S *	9/2007	Koepke	D6/366
D568,624 S *	5/2008	Wen	D6/366
D576,416 S *	9/2008	Su	D6/366
D585,205 S *	1/2009	Wen	D6/366
D641,983 S *	7/2011	Hazzard	D6/366



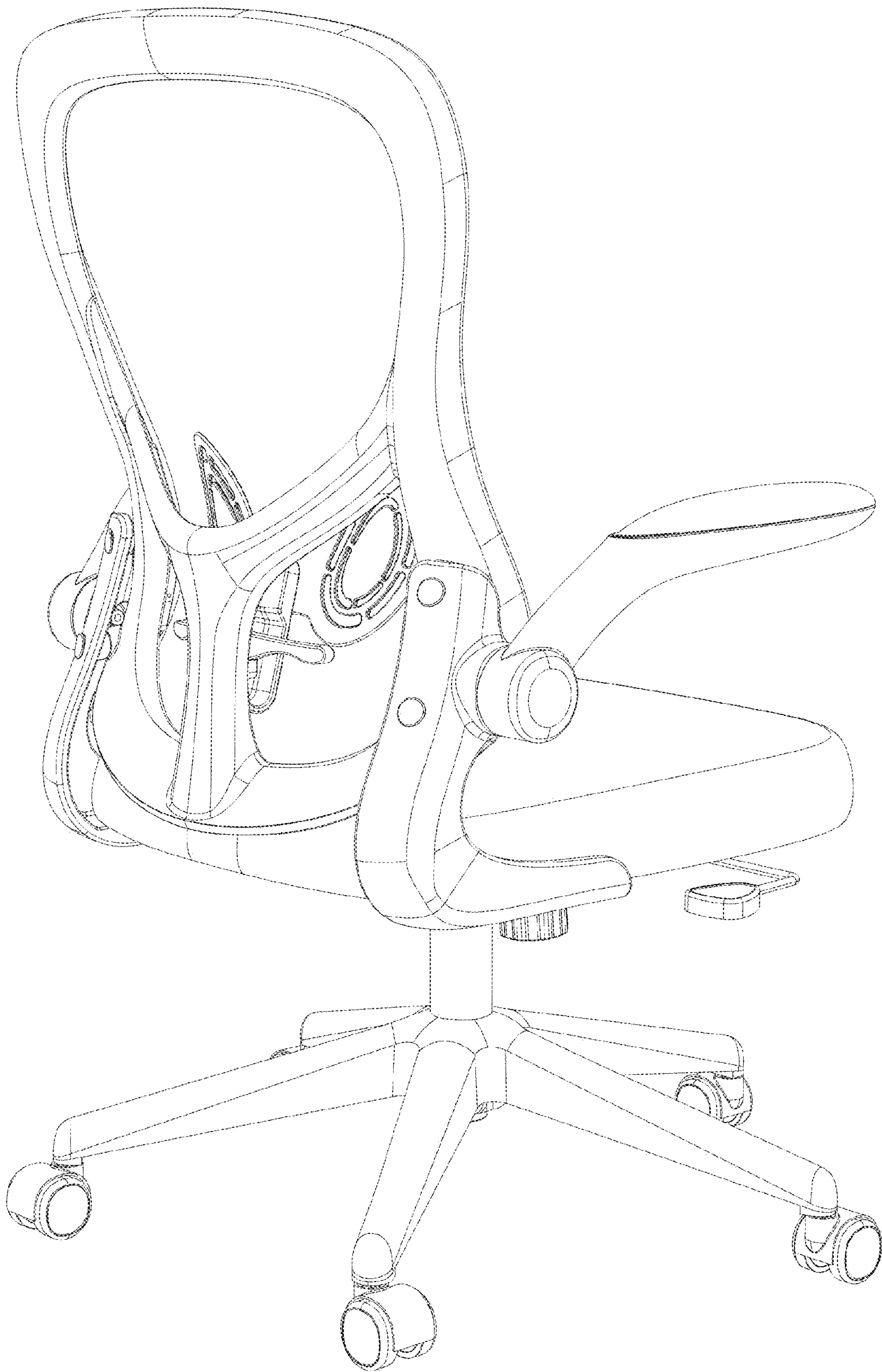


Fig. 1

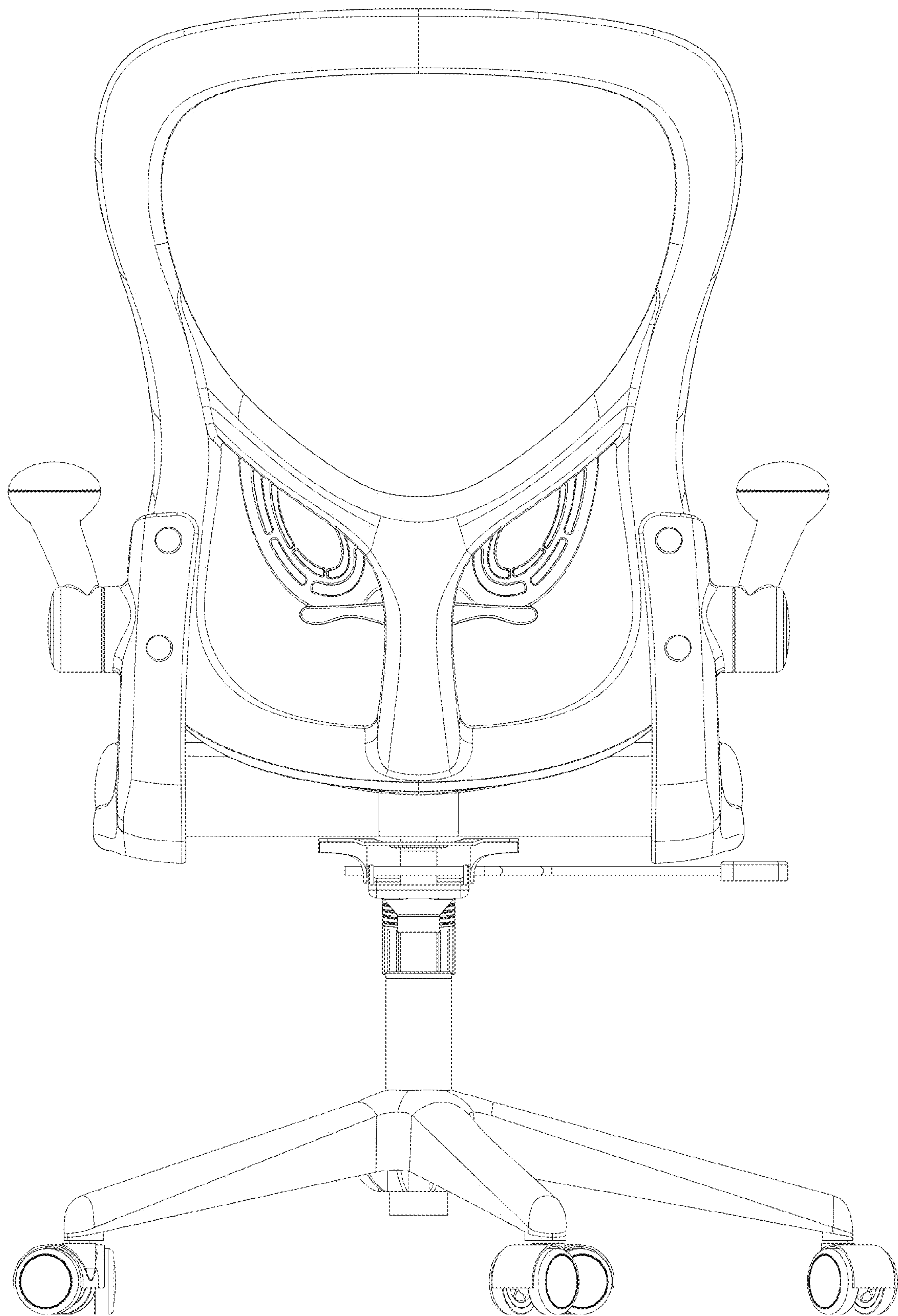


Fig. 2

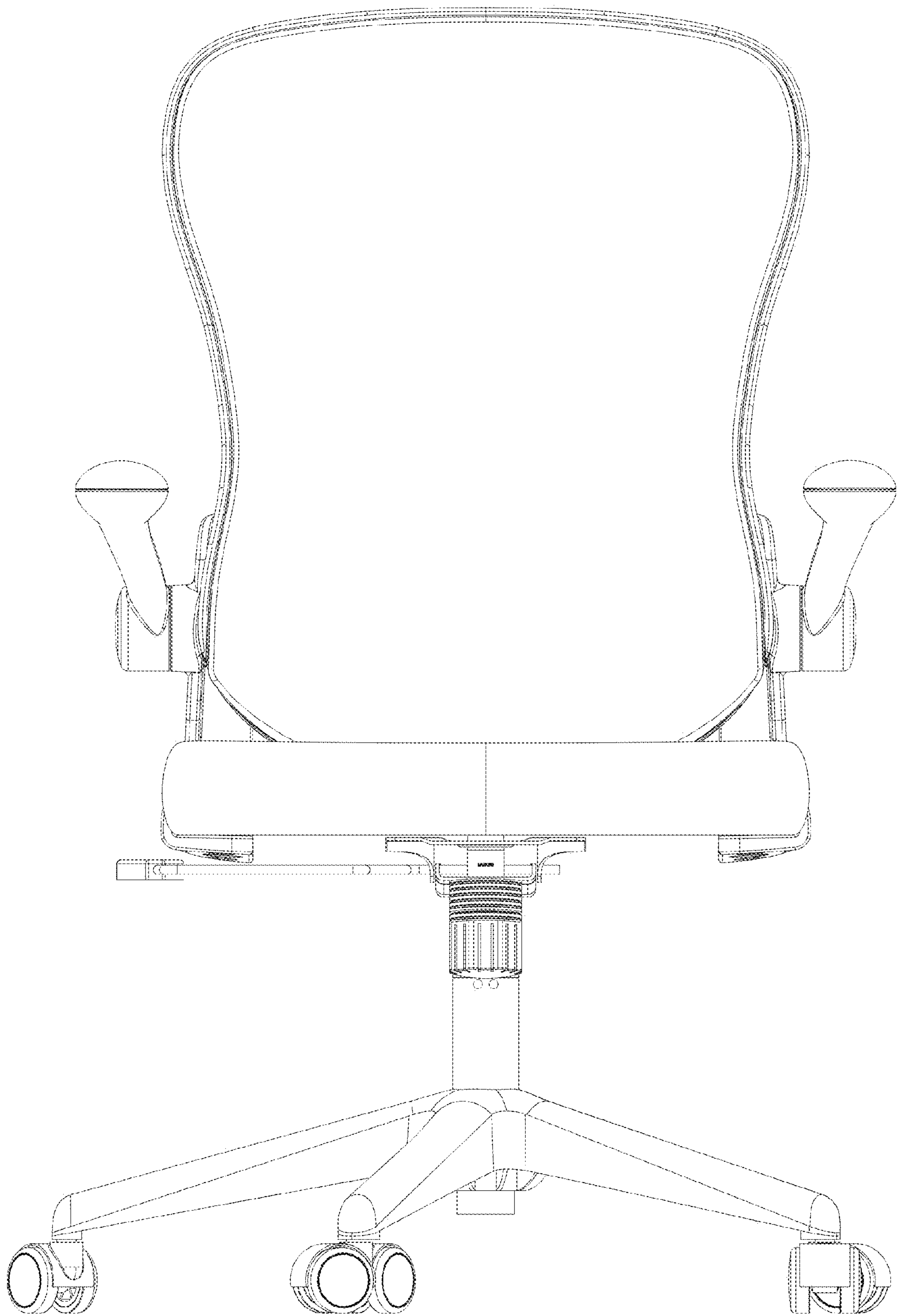


Fig. 3

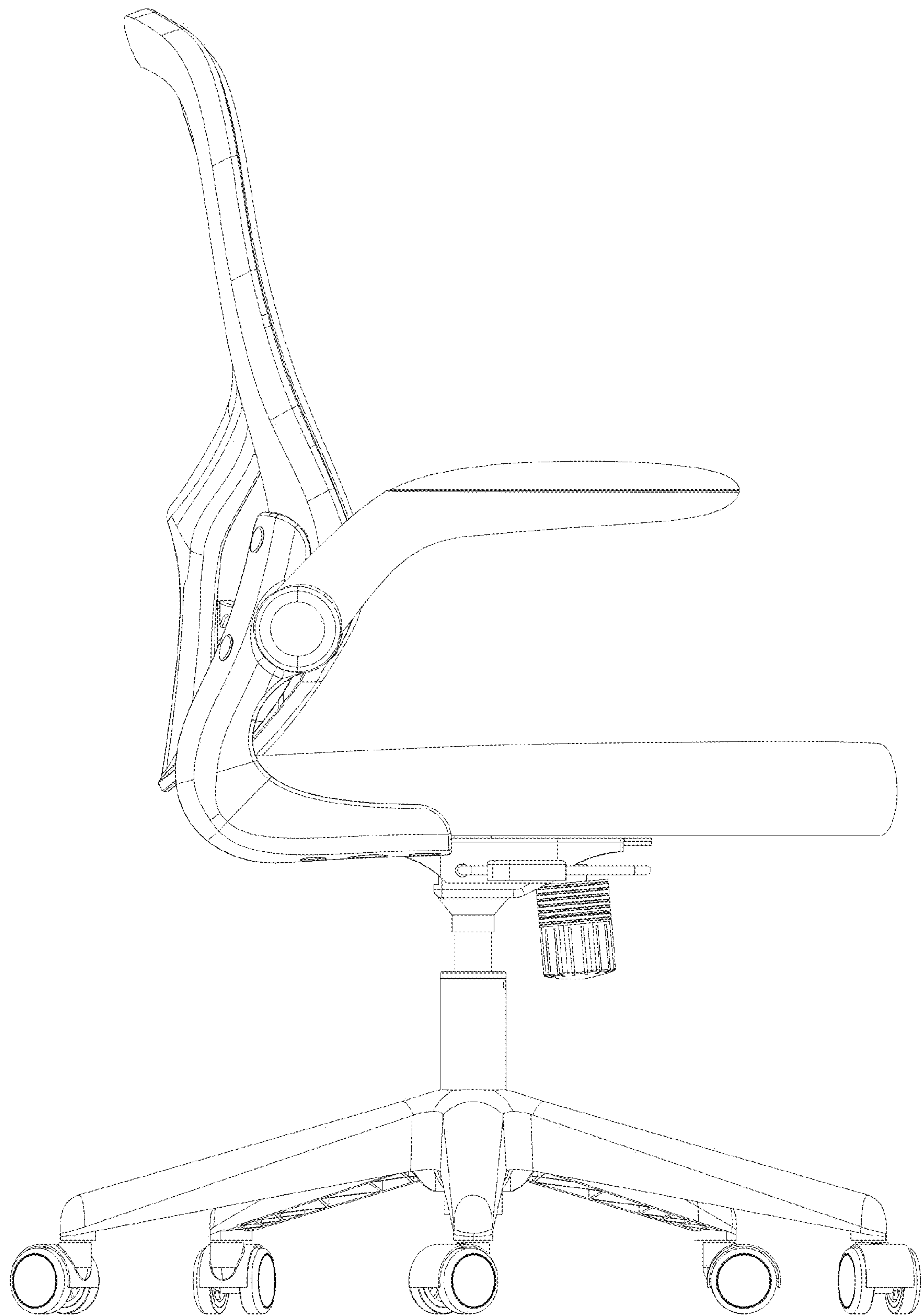


Fig. 4

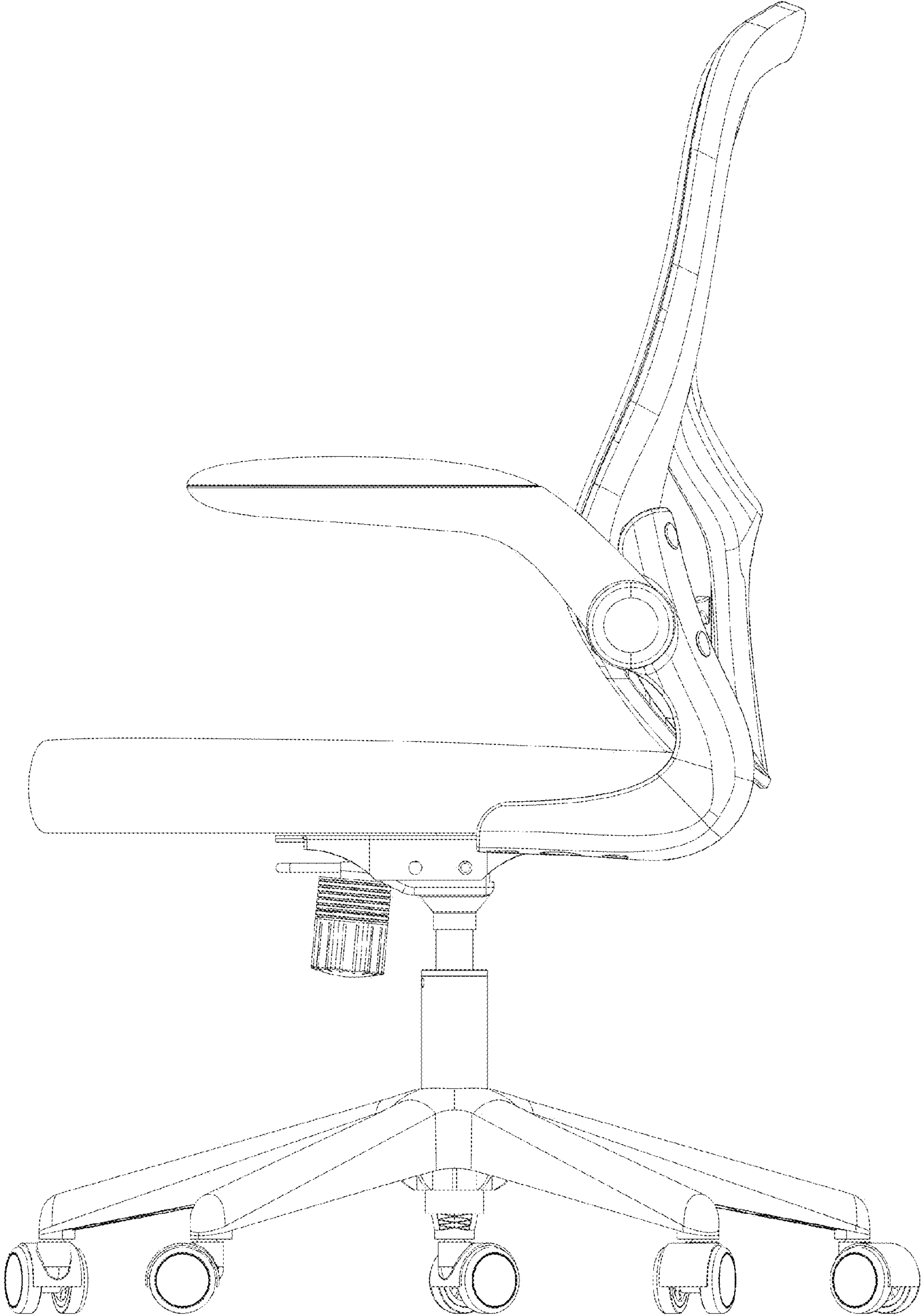


Fig. 5

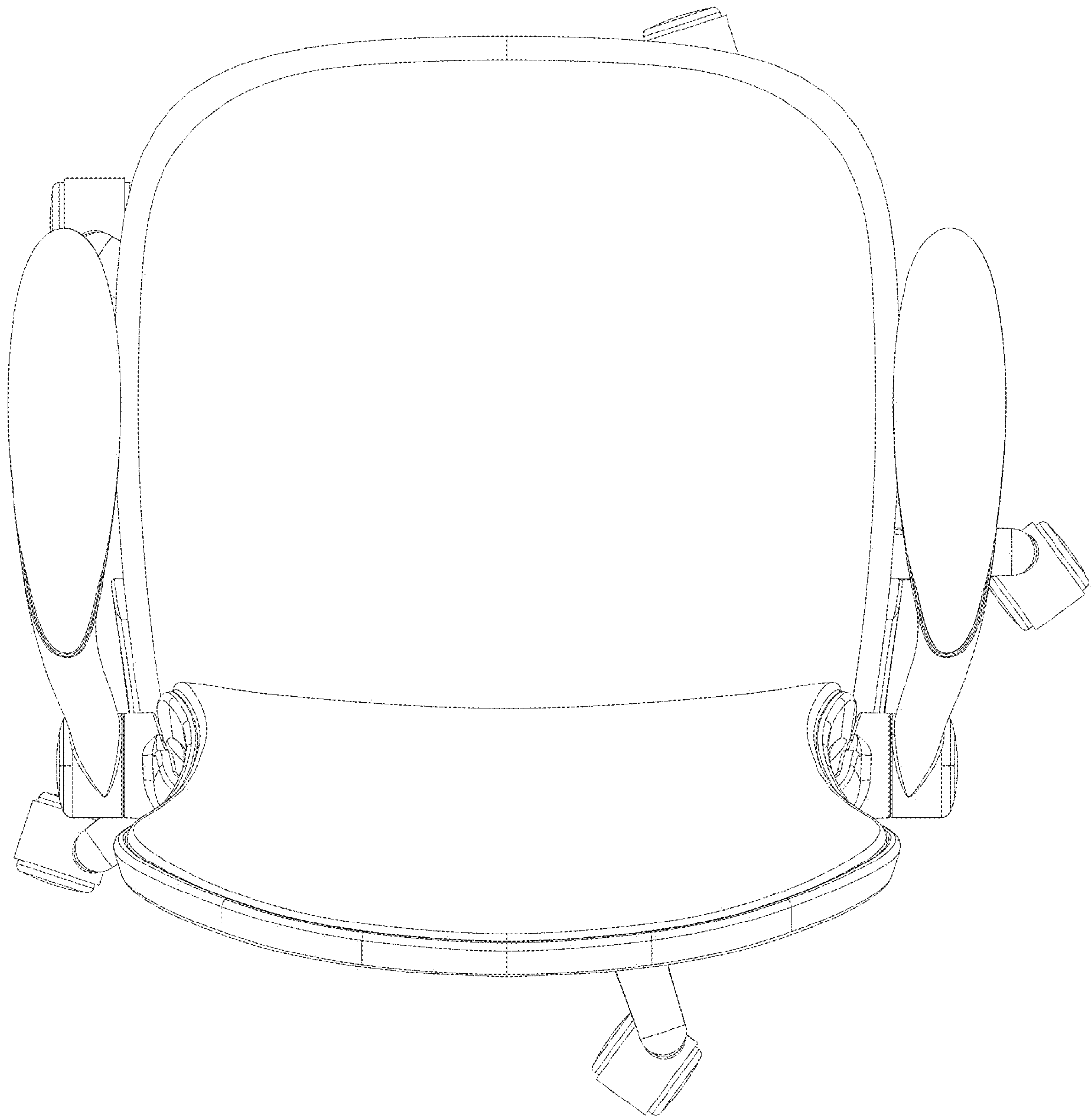


Fig. 6

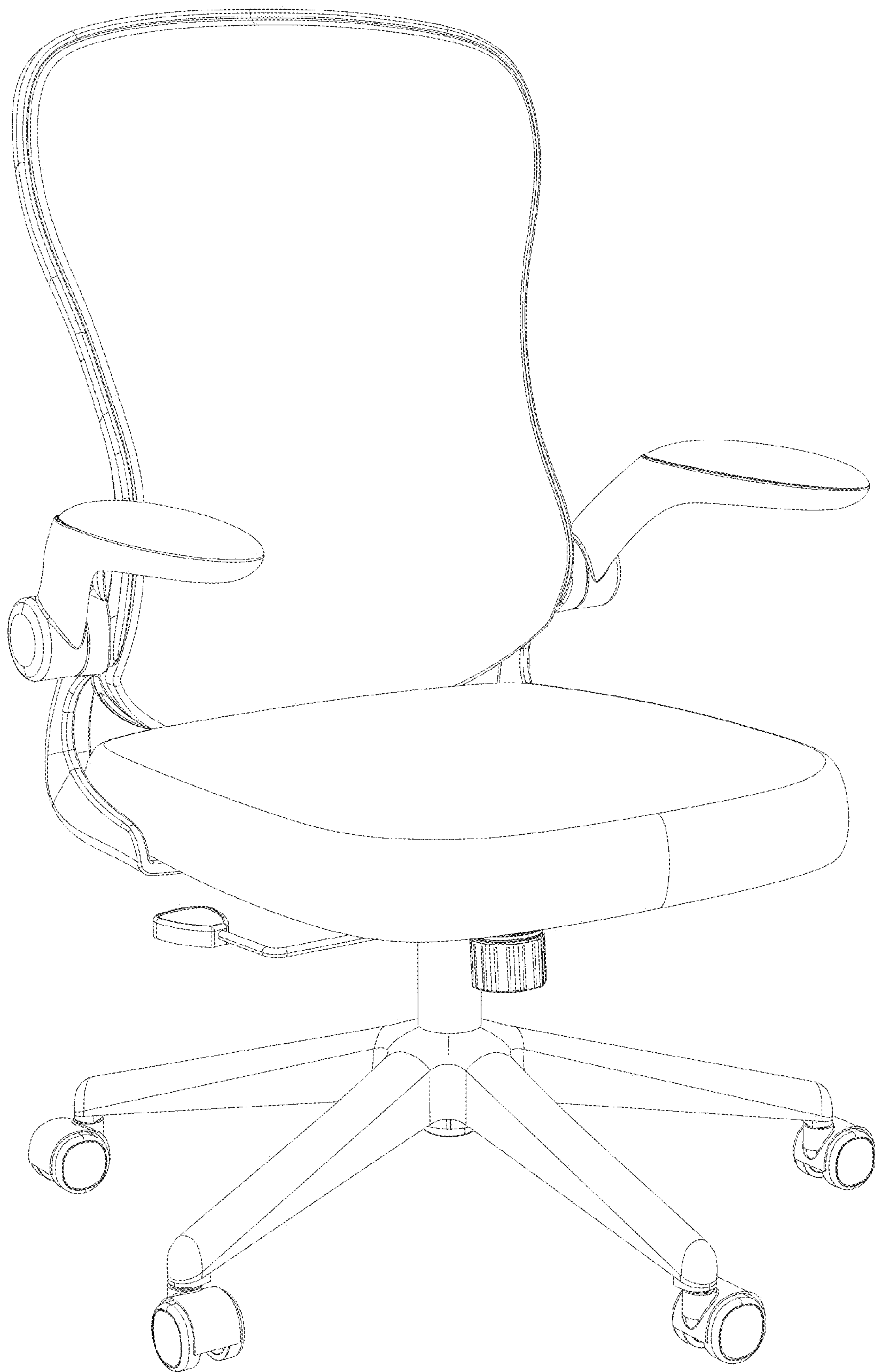


Fig. 7