



US00D929754S

(12) **United States Design Patent** (10) **Patent No.:** **US D929,754 S**
Kong (45) **Date of Patent:** **** Sep. 7, 2021**

(54) **TABLE**

- (71) Applicant: **GoPlus Corp.**, Fontana, CA (US)
- (72) Inventor: **Xujuan Kong**, Ningbo (CN)
- (73) Assignee: **GoPlus Corp.**, Fontana, CA (US)
- (**) Term: **15 Years**

(21) Appl. No.: **29/714,155**

(22) Filed: **Nov. 21, 2019**

(51) **LOC (13) Cl.** **06-01**

(52) **U.S. Cl.**
USPC **D6/337**

(58) **Field of Classification Search**
USPC D6/334, 335, 336, 337, 338, 349, 355,
D6/368, 370
CPC A47B 3/002; A47B 3/083; A47B 3/087;
A47B 3/14; A47B 23/04; A47B 83/02;
A47B 83/021; A47B 83/0213; A47B
2003/145; A47C 7/50

See application file for complete search history.

(56) **References Cited**

U.S. PATENT DOCUMENTS

3,414,301	A	*	12/1968	Crowe	F16B 12/40 403/237
D235,394	S	*	6/1975	Ruth	D6/337
D266,376	S	*	10/1982	Musgrove	D6/337
D431,918	S	*	10/2000	Tseng	D6/337
D493,291	S	*	7/2004	Thomas	D6/337
D718,541	S	*	12/2014	Pedersen	D6/337
D812,386	S	*	3/2018	Asner	D6/337
D845,011	S	*	4/2019	Wang	D6/337
D874,839	S	*	2/2020	Krouwel	D6/337
D893,898	S	*	8/2020	Leng	D6/337
D900,490	S	*	11/2020	Yu	D6/337
D902,609	S	*	11/2020	Contois	D6/337
2011/0156451	A1	*	6/2011	Chen	A47B 83/02 297/158.3

FOREIGN PATENT DOCUMENTS

EM	004539864-0001	*	12/2017
EM	008044895-0001	*	7/2020

OTHER PUBLICATIONS

Giantex Picnic Table Bench Set with Umbrella Hole [online], [site visited Jun. 3, 2021], Available from internet, URL: <<https://www.amazon.ca/Giantex-Umbrella-Outdoor-Persons-Natural/dp/B086XBWSYJ>> (Year: 2020).*

(Continued)

Primary Examiner — Cynthia Ramirez
Assistant Examiner — Xavier Marti-Santos
(74) *Attorney, Agent, or Firm* — Troutman Pepper
Hamilton Sanders LLP

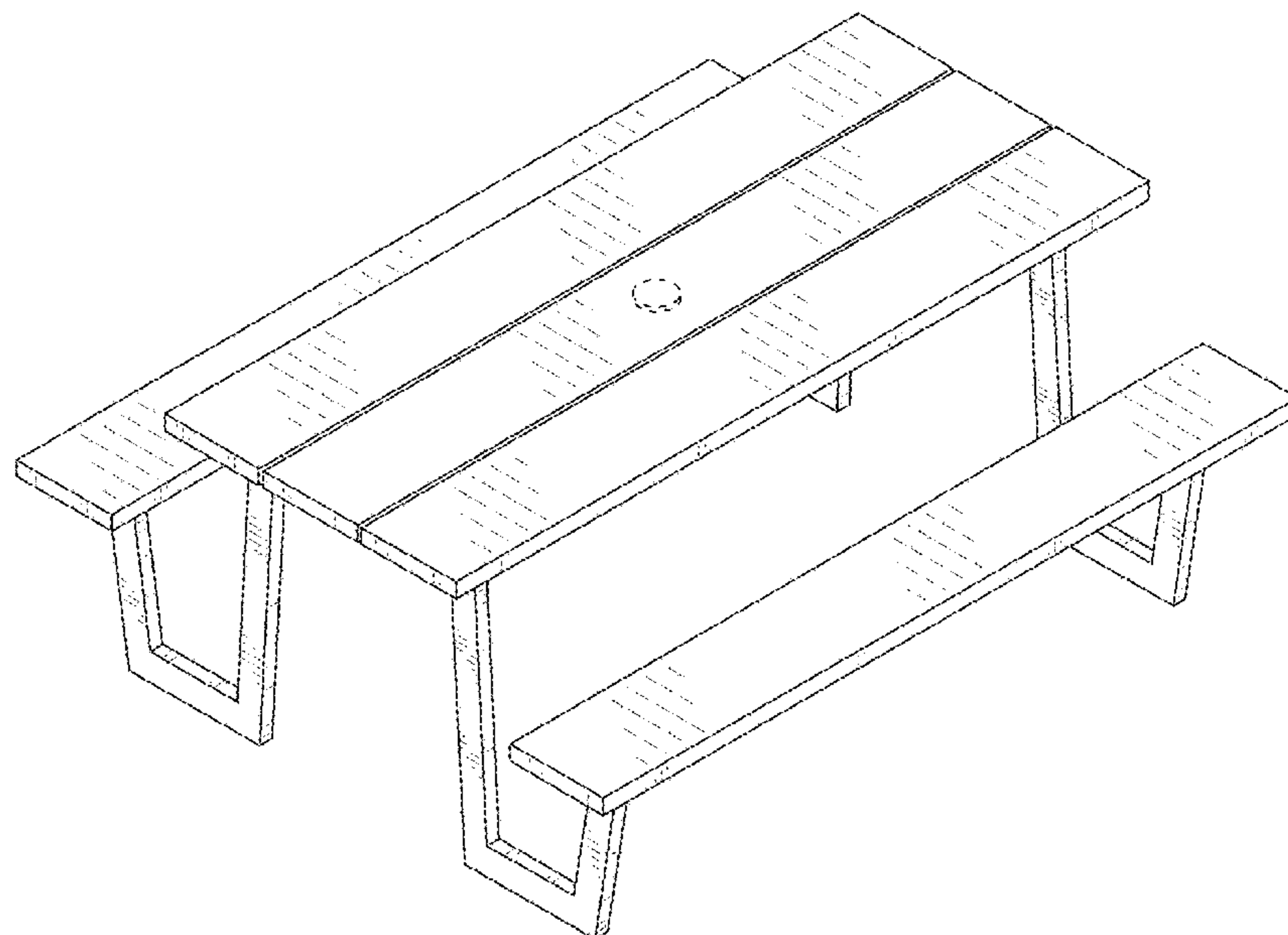
(57) **CLAIM**

I claim the ornamental design for a table, as shown and described.

DESCRIPTION

FIG. 1 is an upper perspective view of a table;
FIG. 2 is a lower perspective view of the design shown in FIG. 1;
FIG. 3 is a left side plan view of the design shown in FIG. 1;
FIG. 4 is a front plan view of the design shown in FIG. 1;
FIG. 5 is a top plan view of the design shown in FIG. 1; and,
FIG. 6 is a bottom plan view of the design shown in FIG. 1.
The broken lines in the figures are for the purpose of illustrating portions of the table, which form no part of the claimed design. The shade lines shown represent surface shading and not surface ornamentation, color, or material type.

1 Claim, 6 Drawing Sheets



(56)

References Cited

OTHER PUBLICATIONS

Natural Rectangle Wood Picnic Table Dining Table Set with 2 Bench Seats and Umbrella Hole [online], [site visited Jun. 3, 2021], Available from internet, URL: <<https://www.homedepot.com/p/Costway-Natural-Rectangle-Wood-Picnic-Table-Dining-Table-Set-with-2-Bench-Seats-and-Umbrella-Hole-HW63853/313576770>> (Year: 2020).*

Bond 6 ft. picnic table [online], [site visited Jun. 3, 2021], Available from internet, URL: <<https://www.countrycasualteak.com/bond-6-ft-picnic-table-6969>> (Year: 2021).*

* cited by examiner

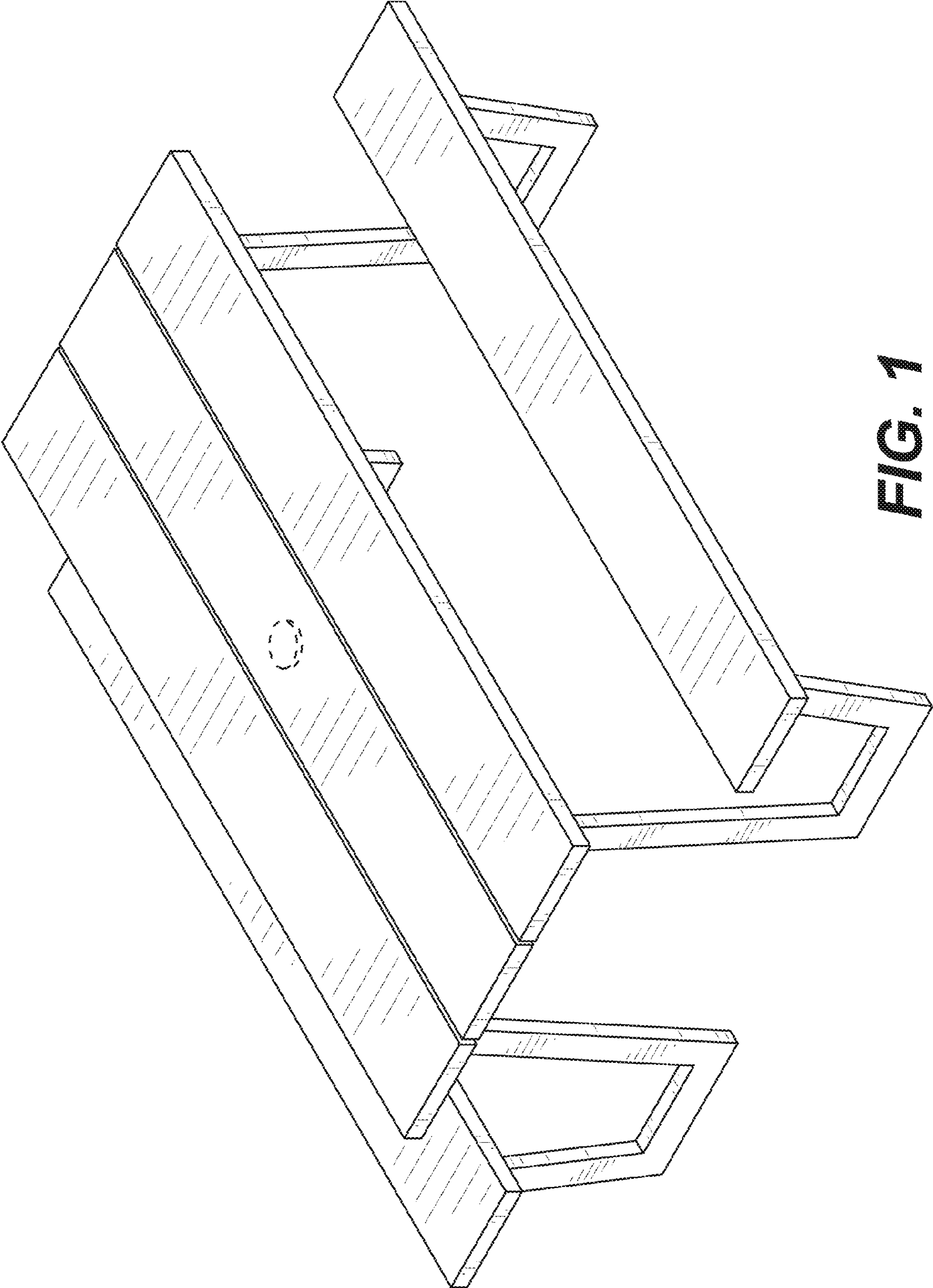


FIG. 1

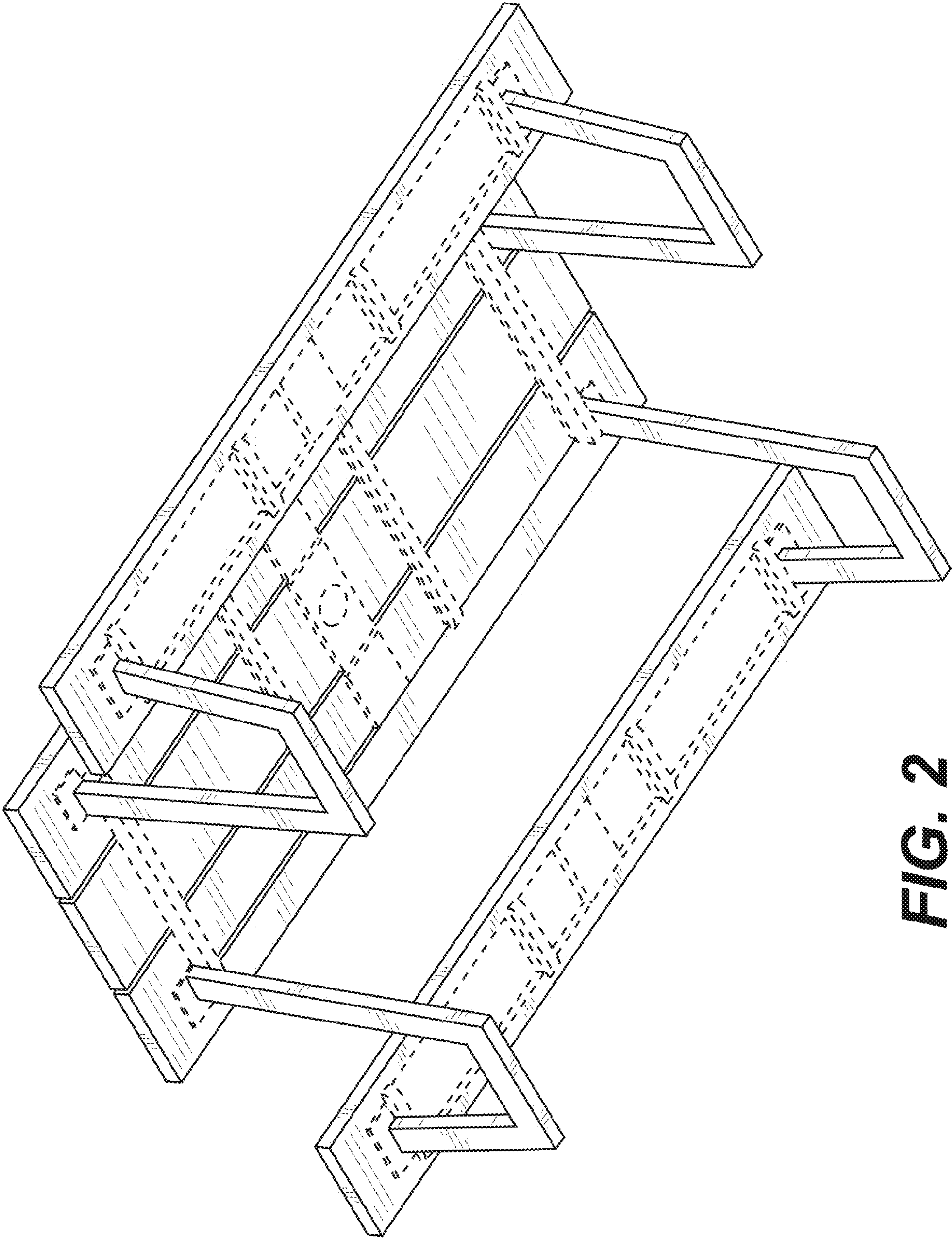


FIG. 2

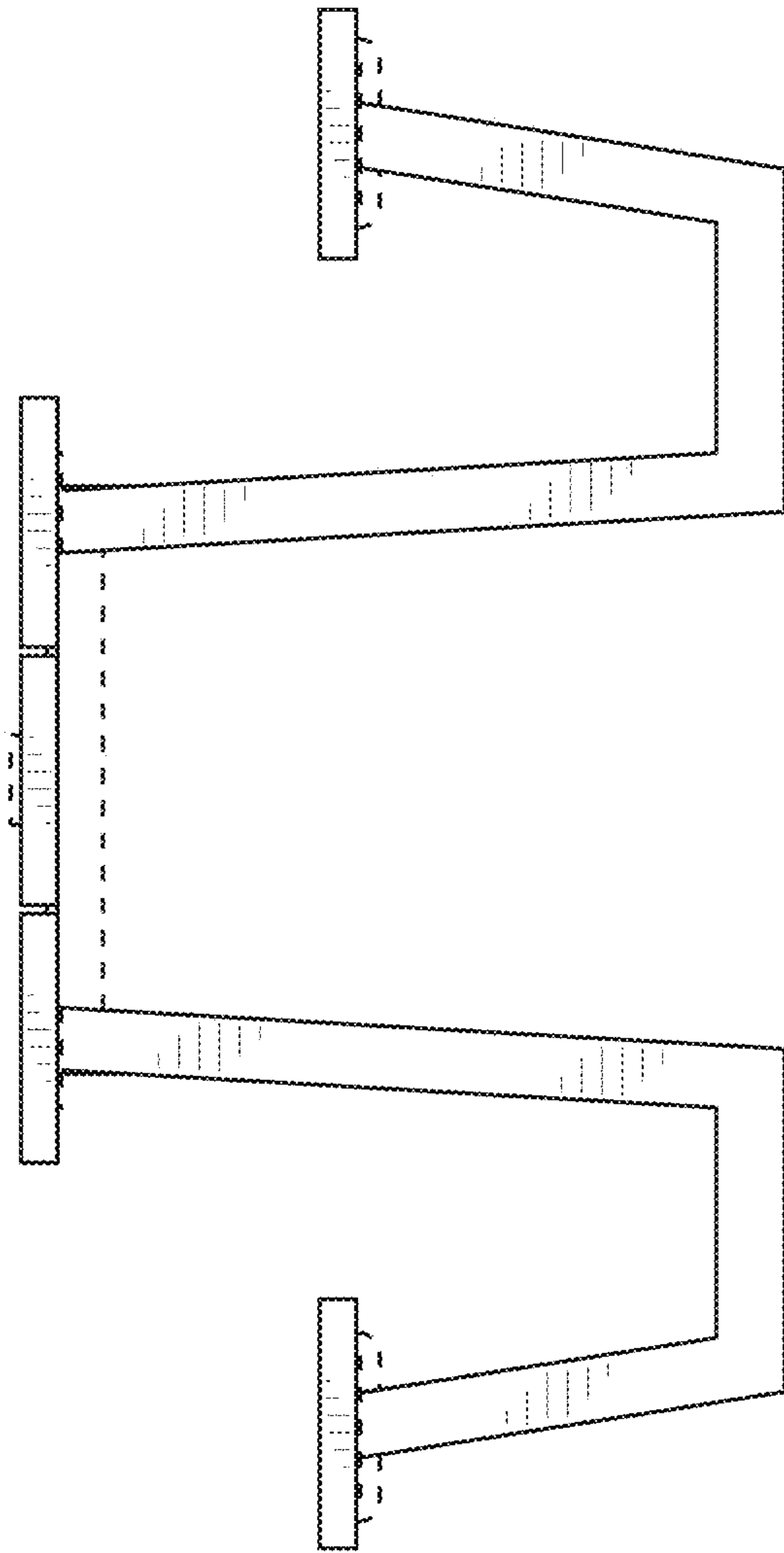


FIG. 3

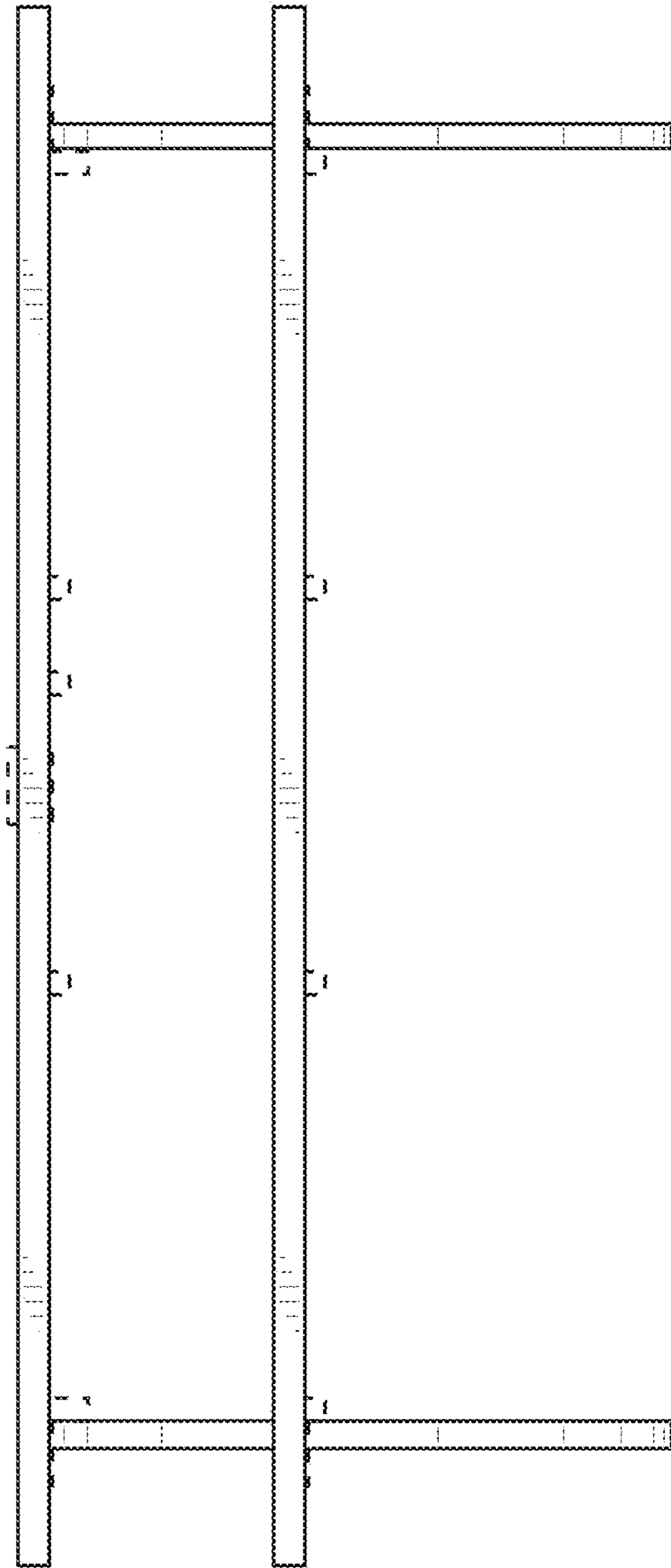


FIG. 4

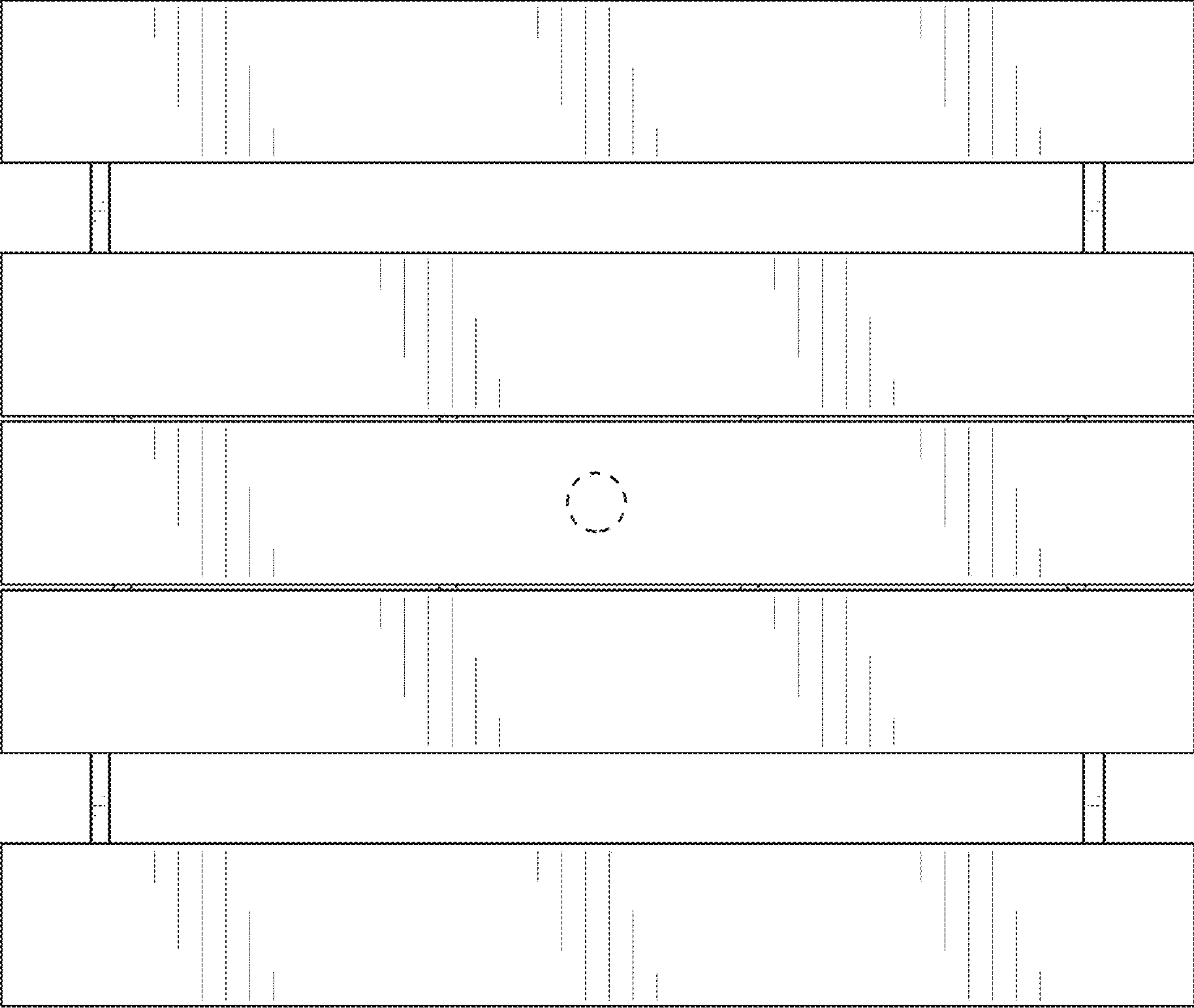


FIG. 5

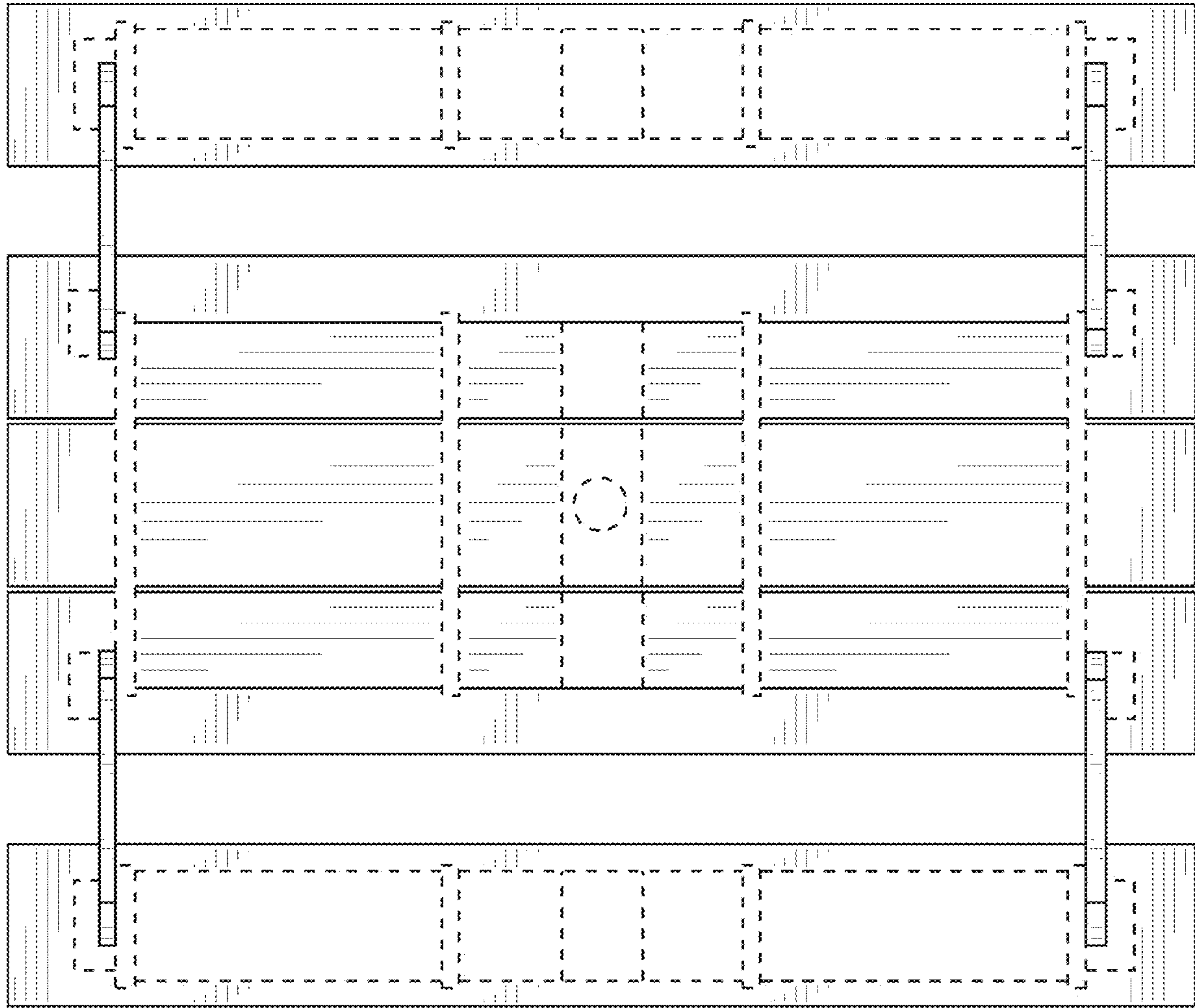


FIG. 6