



US00D929749S

(12) **United States Design Patent** (10) **Patent No.:** **US D929,749 S**  
**Choi** (45) **Date of Patent:** **\*\* Sep. 7, 2021**

(54) **VANITY MIRROR WITH SURFACE LIGHTS AND DISPLAY**

D779,835 S 2/2017 Zhang et al.  
D809,322 S \* 2/2018 Choi ..... D6/664.1  
D809,332 S 2/2018 Choi  
D898,384 S \* 10/2020 Liu ..... D6/308  
D902,607 S \* 11/2020 Liu ..... D6/308

(71) Applicant: **Impressions Vanity Company**, Tustin, CA (US)

**FOREIGN PATENT DOCUMENTS**

(72) Inventor: **Dong Kevin Choi**, Tustin, CA (US)

CN 305043994 \* 2/2019  
CN 305334060 \* 9/2019  
CN 305489388 \* 12/2019  
CN 305489389 \* 12/2019  
CN 306031072 \* 9/2020  
CN 306031075 \* 9/2020

(73) Assignee: **Impressions Vanity Company**, Tustin, CA (US)

(\*\*) Term: **15 Years**

\* cited by examiner

(21) Appl. No.: **29/670,807**

*Primary Examiner* — Deanna L Pratt

(22) Filed: **Nov. 20, 2018**

(74) *Attorney, Agent, or Firm* — Ansari Katiraei LLP;  
Arman Katiraei; Sadiq Ansari

(51) **LOC (13) Cl.** ..... **06-07**

(52) **U.S. Cl.**  
USPC ..... **D6/301; D6/308**

(58) **Field of Classification Search**  
USPC ..... **D6/300–314**  
CPC ..... **A45D 42/10; A47G 1/02**  
See application file for complete search history.

(57) **CLAIM**

I claim the ornamental design for a vanity mirror with surface lights and display, as shown and described.

**DESCRIPTION**

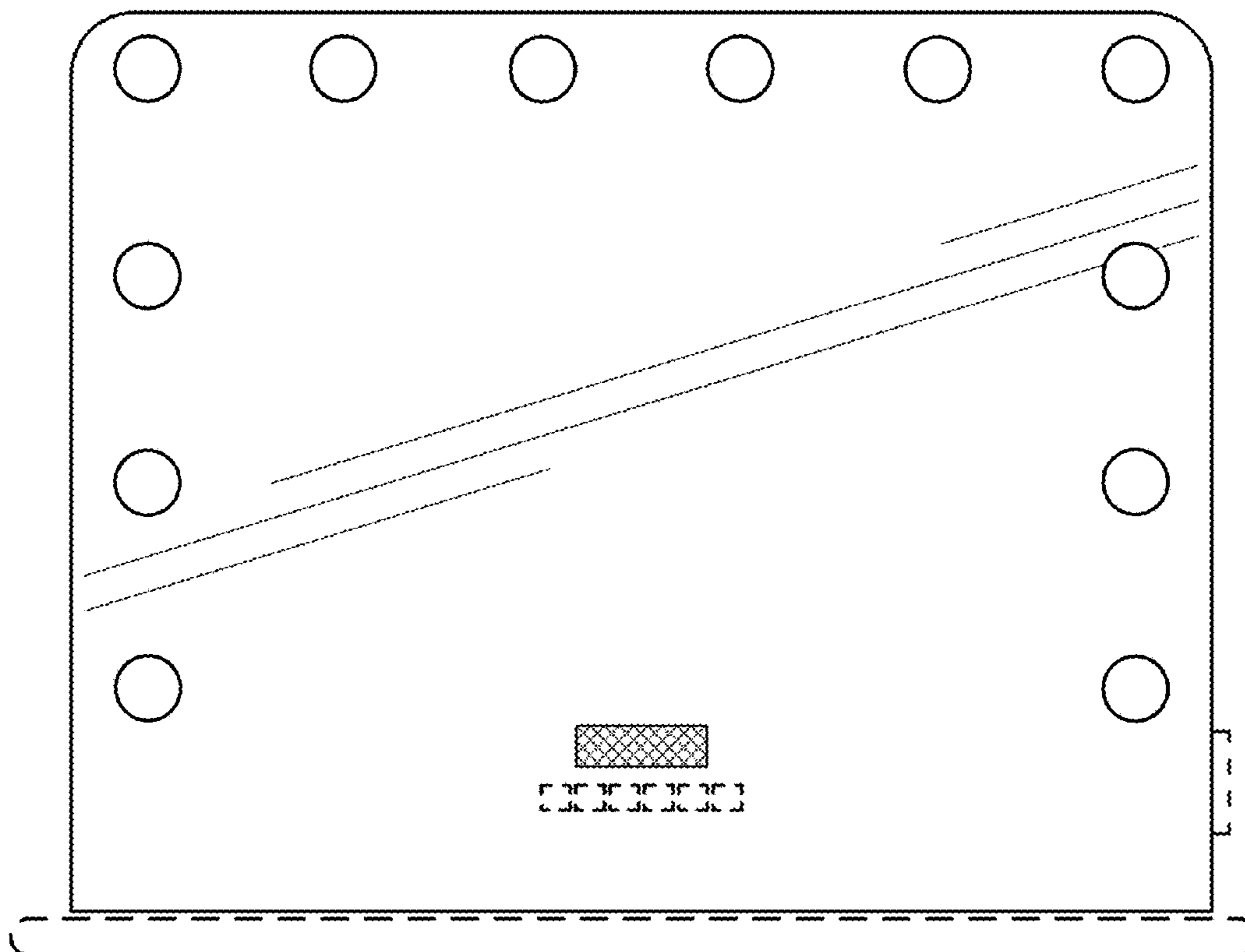
FIG. 1 is a front view of a vanity mirror with surface lights and display, showing my new design;  
FIG. 2 is a perspective view thereof;  
FIG. 3 is a top view thereof; and,  
FIG. 4 is a back view thereof.  
The broken lines depict environmental subject matter that forms no part of the claimed design.

(56) **References Cited**

**U.S. PATENT DOCUMENTS**

D216,927 S \* 3/1970 Cole ..... D6/308  
3,757,103 A \* 9/1973 Walter ..... F21V 33/00  
362/2  
D261,817 S \* 11/1981 Kretschmer ..... D6/308  
D464,206 S \* 10/2002 Moncourtois ..... D6/308  
D779,217 S \* 2/2017 Zhang ..... D6/308

**1 Claim, 4 Drawing Sheets**



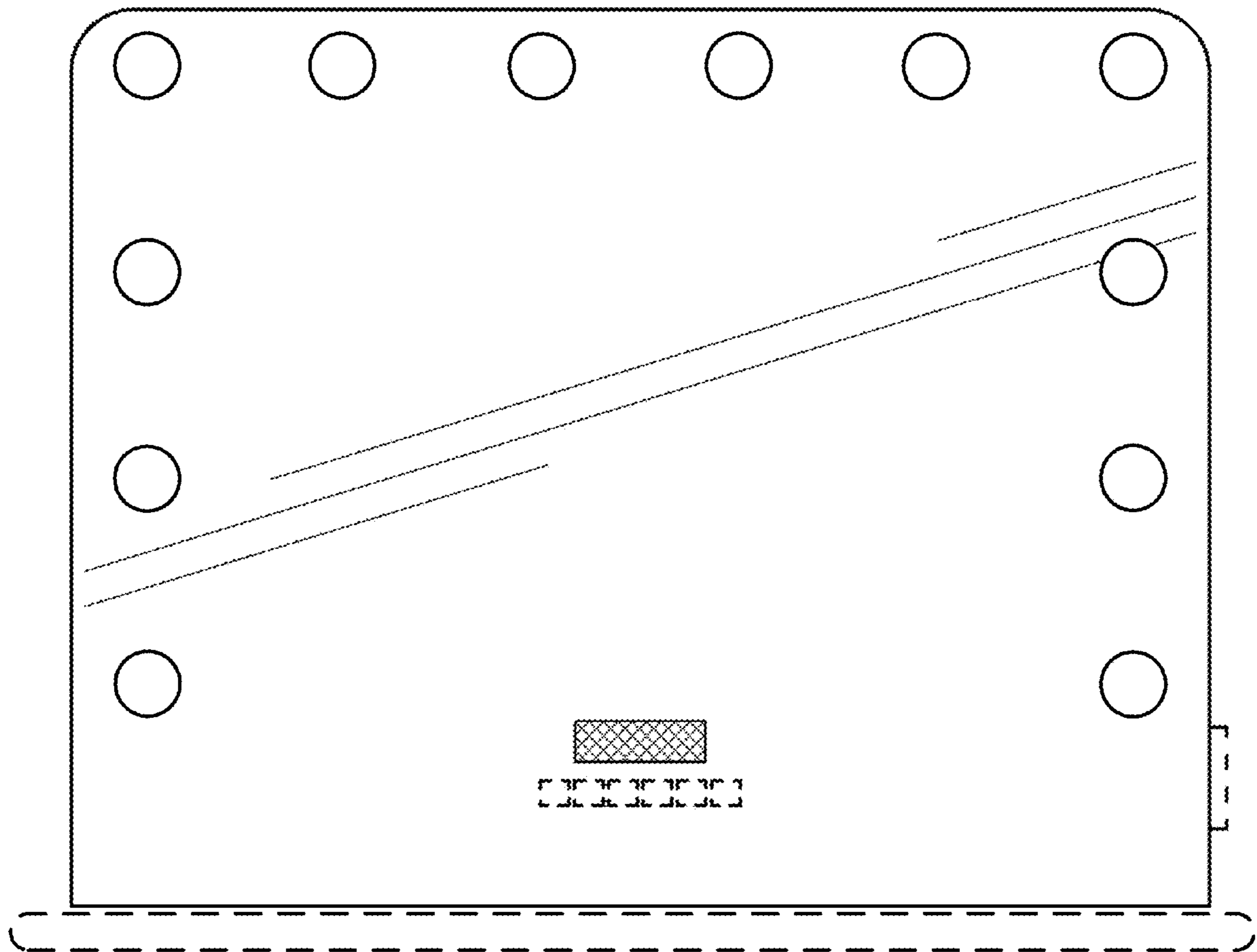


FIG. 1

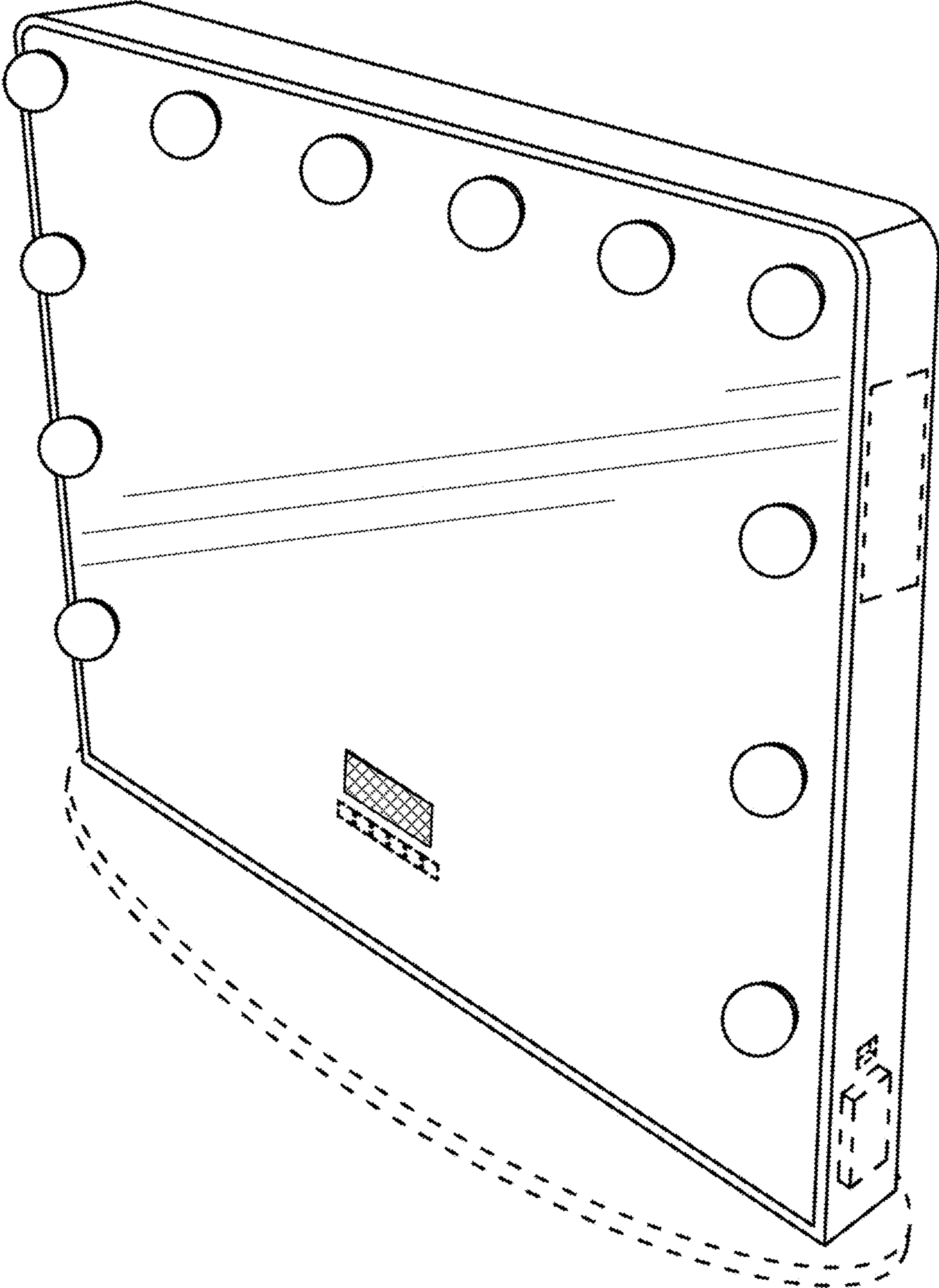
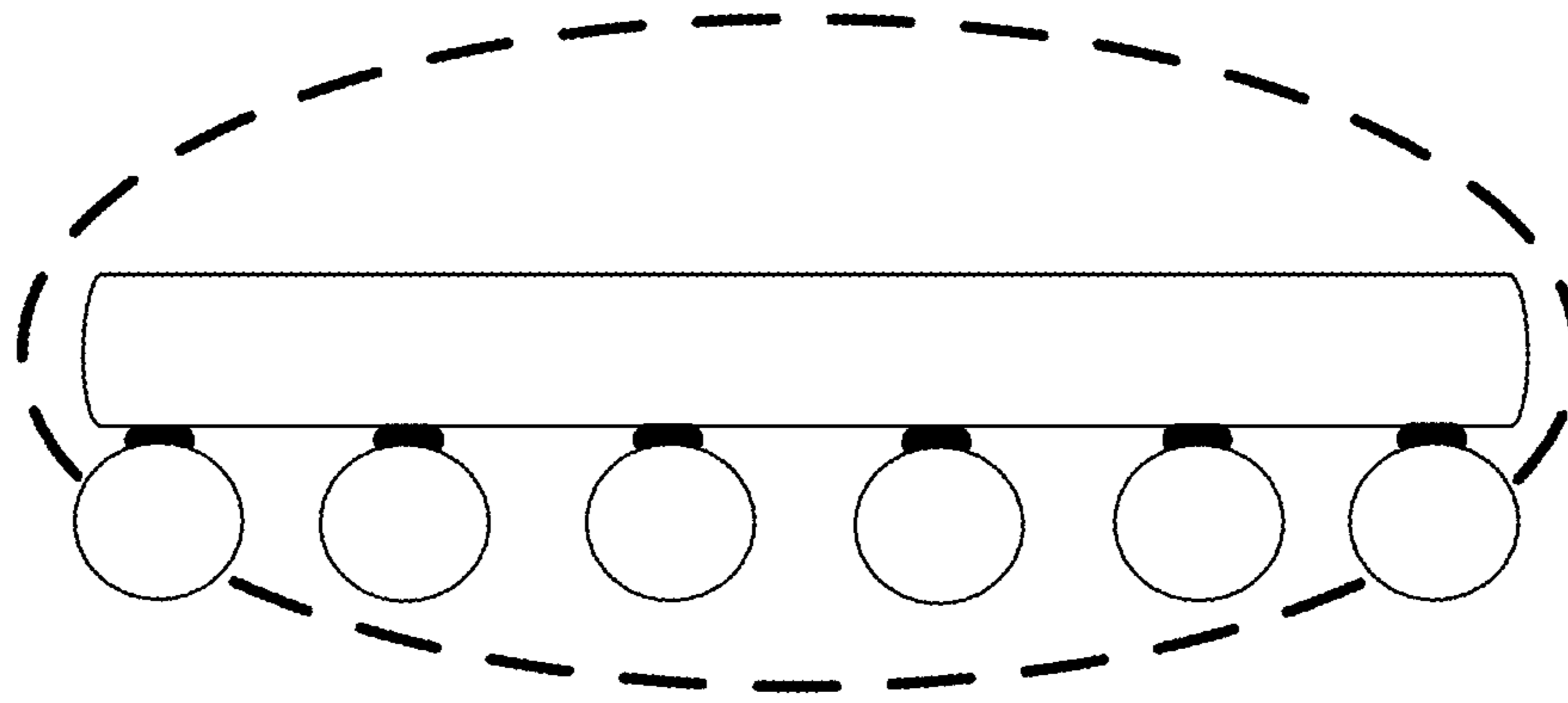


FIG. 2



**FIG. 3**

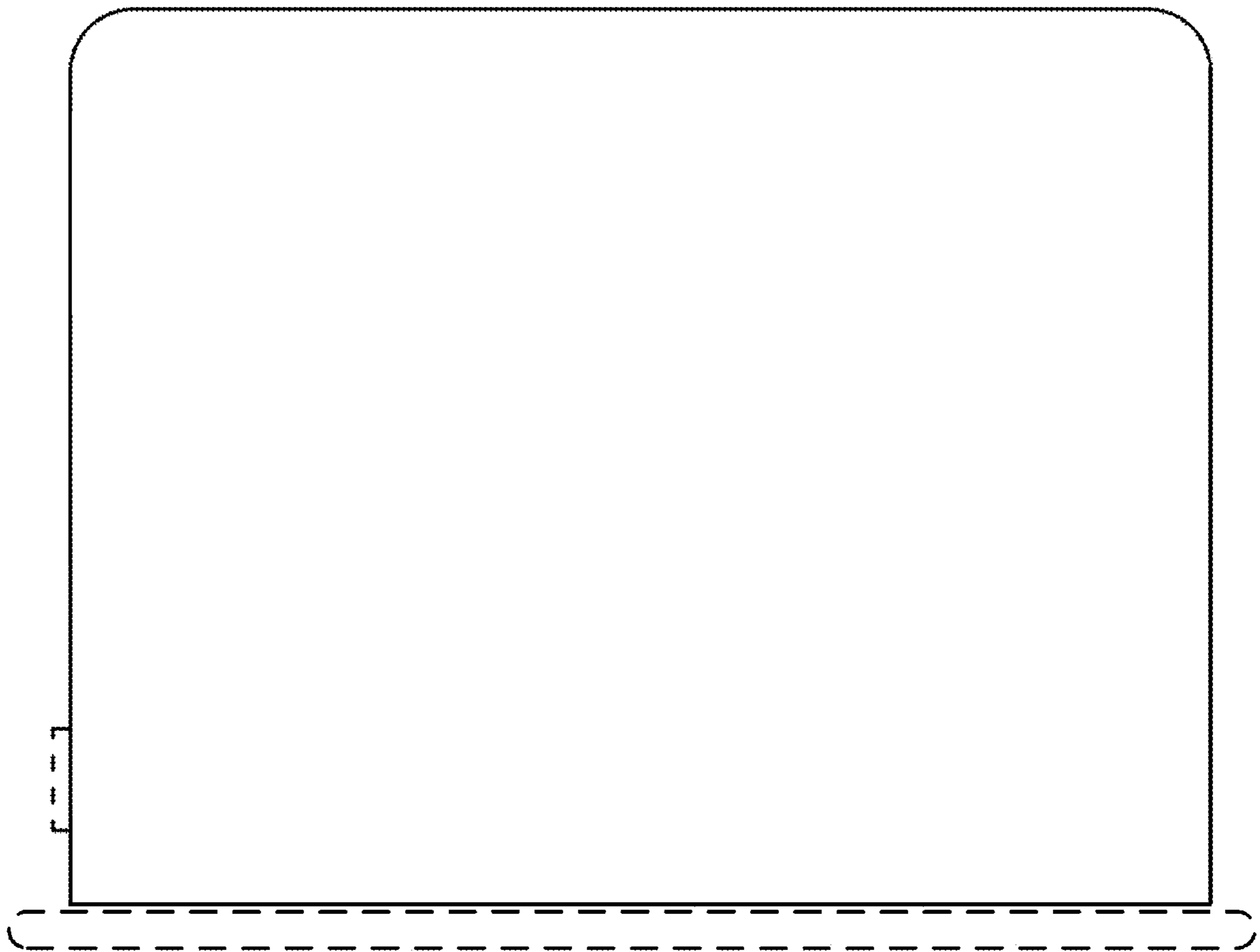


FIG. 4