



US00D929748S

(12) **United States Design Patent**
Choi

(10) **Patent No.:** **US D929,748 S**

(45) **Date of Patent:** **** Sep. 7, 2021**

(54) **THREE PANEL VANITY MIRROR WITH SURFACE LIGHTS**

(71) Applicant: **Impressions Vanity Company**, Tustin, CA (US)

(72) Inventor: **Dong Kevin Choi**, Tustin, CA (US)

(73) Assignee: **Impressions Vanity Company**, Tustin, CA (US)

(**) Term: **15 Years**

(21) Appl. No.: **29/668,385**

(22) Filed: **Oct. 30, 2018**

(51) **LOC (13) Cl.** **06-07**

(52) **U.S. Cl.**
USPC **D6/301; D6/308**

(58) **Field of Classification Search**
USPC D6/300-314
CPC A45D 42/18; A45D 42/10; A47G 1/04
See application file for complete search history.

(56) **References Cited**

U.S. PATENT DOCUMENTS

- 2,292,059 A * 8/1942 Daum A47G 1/04
248/447.1
- D235,689 S * 7/1975 Benty et al. D6/308
- D259,067 S * 4/1981 Kretschmer D6/308
- D261,567 S * 10/1981 Madl D6/308

- D298,087 S * 10/1988 Arce D6/300
- D370,129 S * 5/1996 Freudenfeld D6/301
- D391,773 S * 3/1998 Zaidman D6/301
- D392,468 S * 3/1998 O'Reilly D6/300
- D415,619 S * 10/1999 Gandy D6/300
- D464,206 S * 10/2002 Moncourtois D6/308
- D543,707 S * 6/2007 Chan D6/312
- D584,516 S * 1/2009 Otomo D6/310
- D779,217 S * 2/2017 Zhang D6/308
- D779,835 S * 2/2017 Zhang D6/300
- D902,607 S * 11/2020 Liu D6/308

* cited by examiner

Primary Examiner — Deanna L Pratt

(74) *Attorney, Agent, or Firm* — Ansari Katiraei LLP;
Arman Katiraei; Sadiq Ansari

(57) **CLAIM**

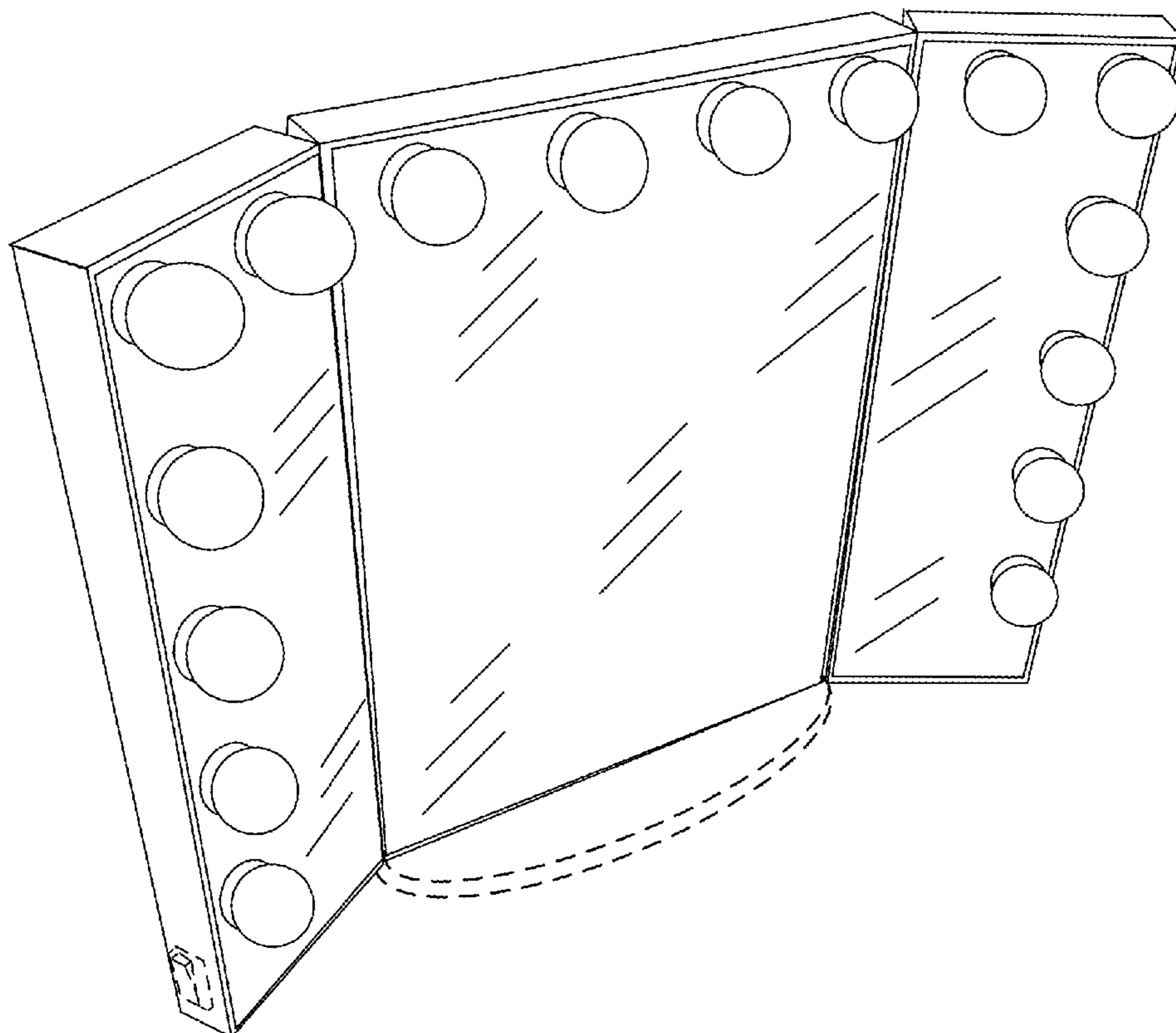
I claim the ornamental design for a three panel vanity mirror with surface lights, as shown and described.

DESCRIPTION

FIG. 1 is a perspective view of a three panel vanity mirror with surface lights, showing my new design;
FIG. 2 is a front view thereof;
FIG. 3 is a back view thereof;
FIG. 4 is a top view thereof;
FIG. 5 is a left view thereof; and,
FIG. 6 is a right view thereof.

The broken lines depict environmental subject matter that forms no part of the claimed design.

1 Claim, 6 Drawing Sheets



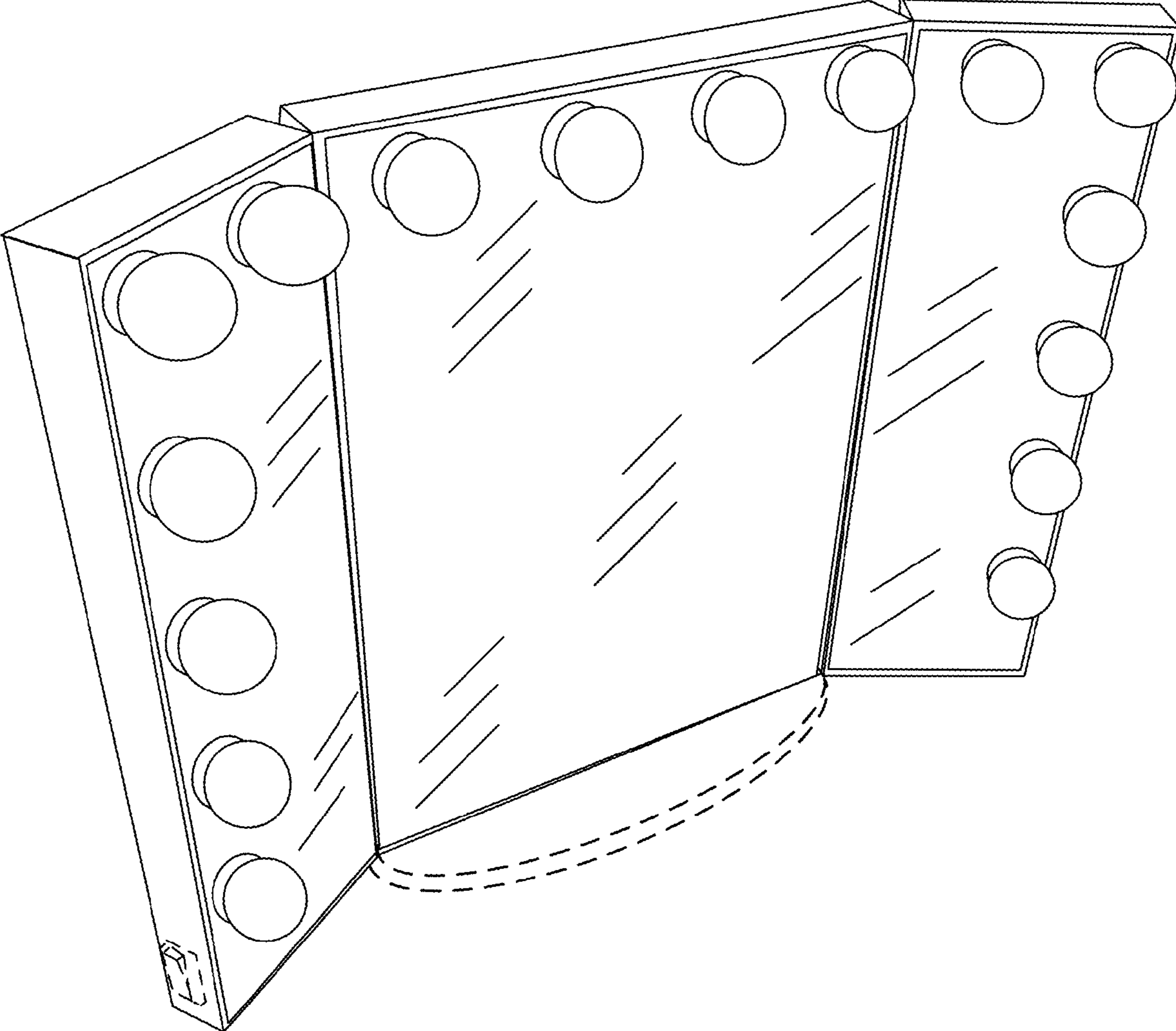


FIG. 1

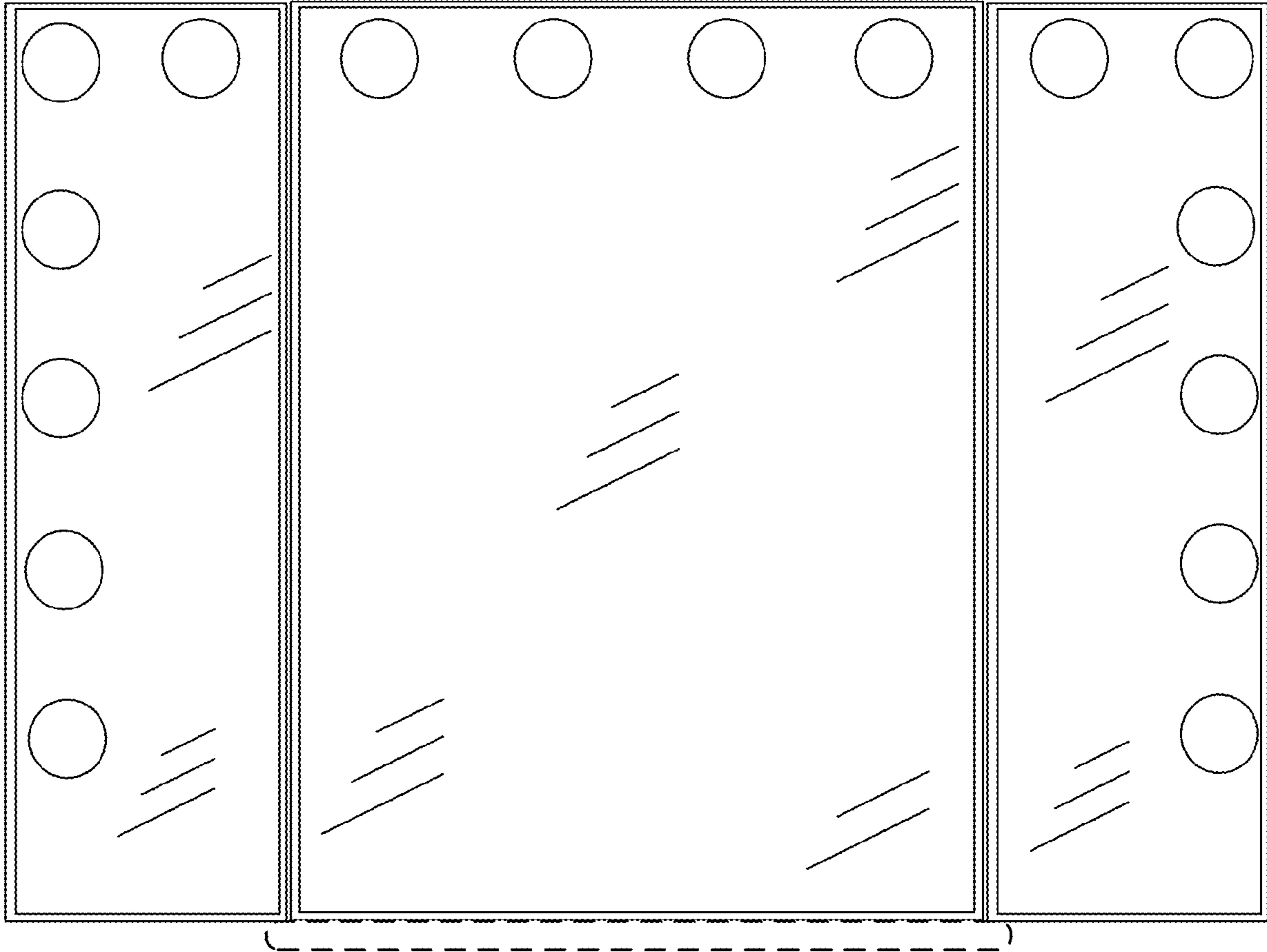


FIG. 2

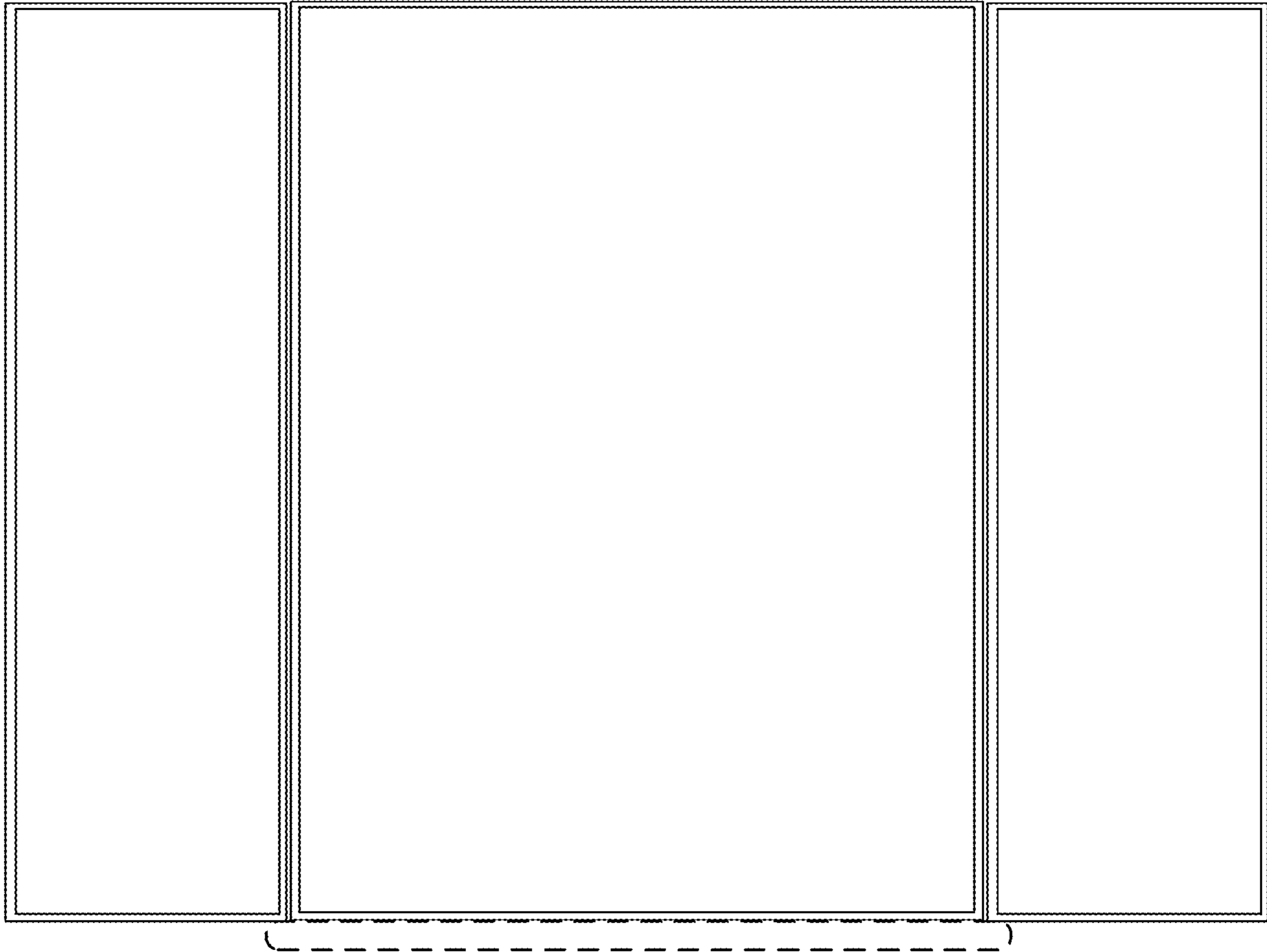


FIG. 3

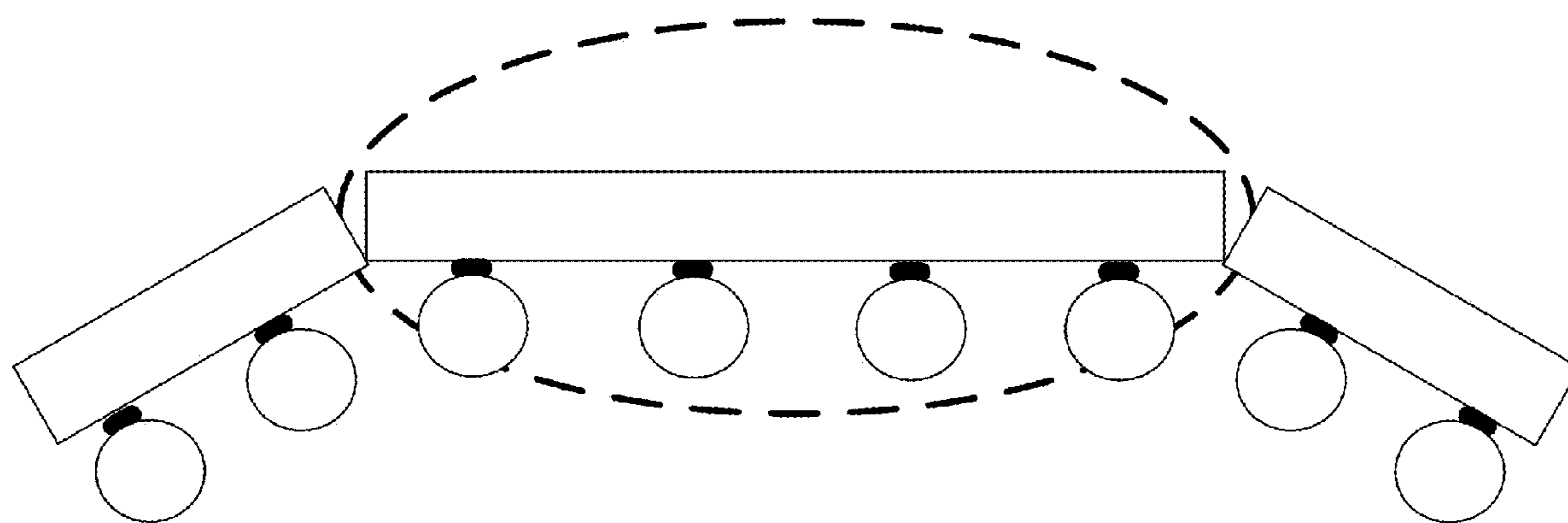


FIG. 4

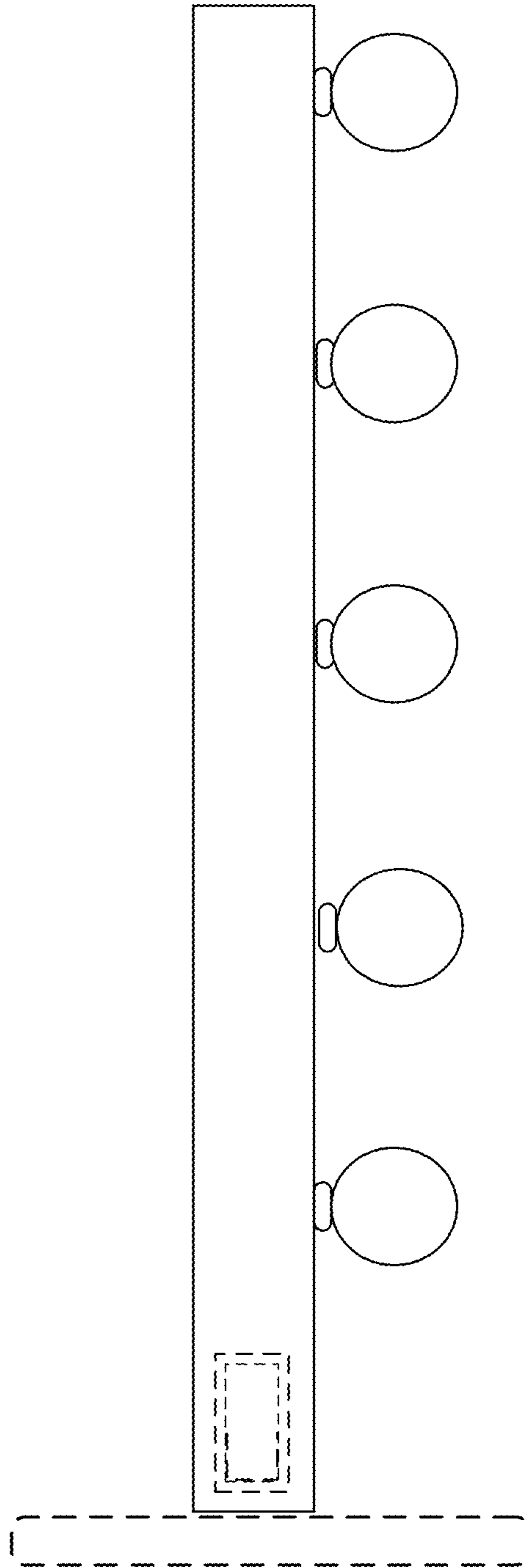


FIG. 5

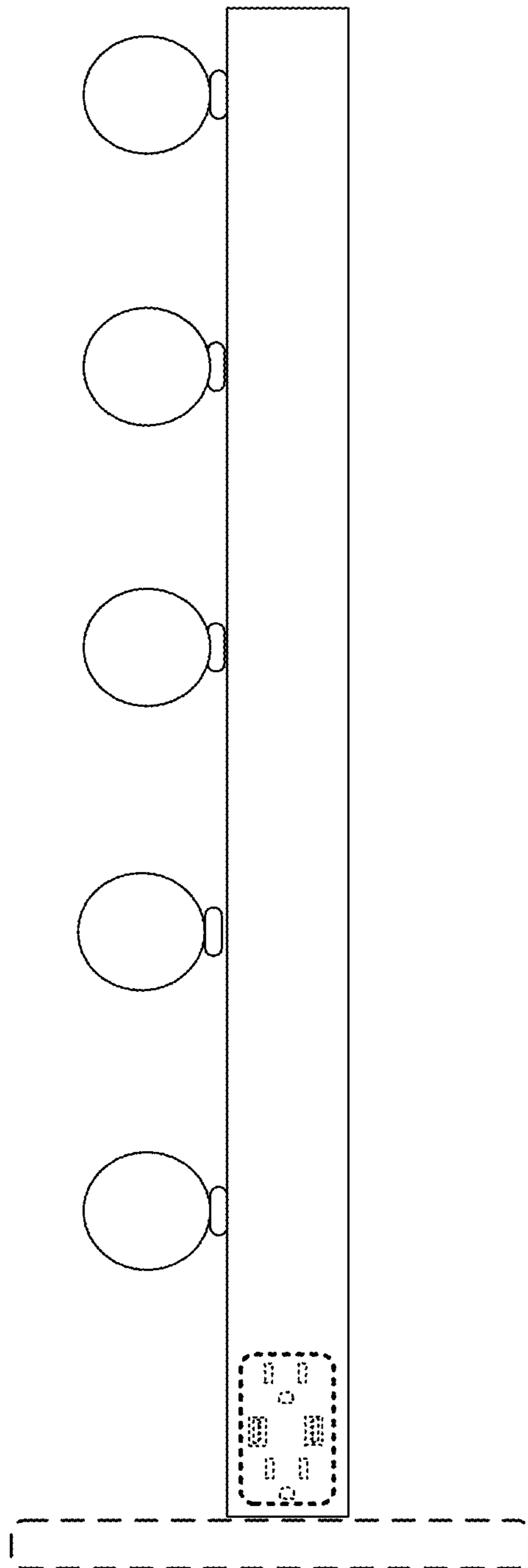


FIG. 6