



US00D929746S

(12) **United States Design Patent**
Russo

(10) **Patent No.:** **US D929,746 S**

(45) **Date of Patent:** **** Sep. 7, 2021**

(54) **BRUSH**

(71) Applicant: **J & D Brush Co., LLC**, Commack, NY (US)

(72) Inventor: **Melissa Russo**, Commack, NY (US)

(73) Assignee: **J & D Brush Co., LLC**, Commack, NY (US)

(**) Term: **15 Years**

(21) Appl. No.: **29/728,316**

(22) Filed: **Mar. 17, 2020**

(51) **LOC (13) Cl.** **04-02**

(52) **U.S. Cl.**
USPC **D4/133**

(58) **Field of Classification Search**
USPC D4/100, 102, 114, 115, 116, 117, 118,
D4/119, 120, 121, 122, 123, 124, 125,
D4/126, 127, 128, 129, 130, 131, 132,
D4/133, 134, 135, 136, 137, 138, 199;
D30/158, 159
CPC A46B 5/02; A46B 9/005; A46B 9/023;
A46B 9/026; A46B 9/028; A46B 9/06;
A46B 2200/104

See application file for complete search history.

(56) **References Cited**

U.S. PATENT DOCUMENTS

D89,846 S *	5/1933	Anderson	D19/185
D328,976 S *	9/1992	Herron	D4/102
D465,654 S *	11/2002	Richmond	D4/102
D466,696 S *	12/2002	Van Dyk	D4/121
D472,052 S *	3/2003	Park	D4/119
D473,717 S *	4/2003	Park	D4/120
D592,248 S *	5/2009	Gerules	D19/174
D673,831 S *	1/2013	Molina	D8/83

D693,331 S *	11/2013	Kim	D14/218
D816,166 S *	4/2018	Nakata	D19/172
D859,003 S *	9/2019	Robbins	D4/138
D891,787 S *	8/2020	Robbins	D4/134
D892,415 S *	8/2020	Axelrod	D30/159
D898,375 S *	10/2020	Robbins	D4/121
D906,689 S *	1/2021	Higgins	D4/118
2007/0033754 A1 *	2/2007	Diamond	A46B 15/003 15/106
2020/0178668 A1 *	6/2020	Chen	A46B 15/0051

FOREIGN PATENT DOCUMENTS

WO WO-D204336-001 * 12/2019

* cited by examiner

Primary Examiner — Karen E Eldridge Powers

(74) *Attorney, Agent, or Firm* — Gloria Tsui-Yip;
Gottlieb, Rackman & Reisman, P.C.

(57) **CLAIM**

The ornamental design for a brush, as shown and described.

DESCRIPTION

FIG. 1 is a right side elevational view showing a brush of my new design;

FIG. 2 is a rear elevational view thereof;

FIG. 3 is a left side elevational view thereof;

FIG. 4 is a front elevational view thereof;

FIG. 5 is a top plan view thereof;

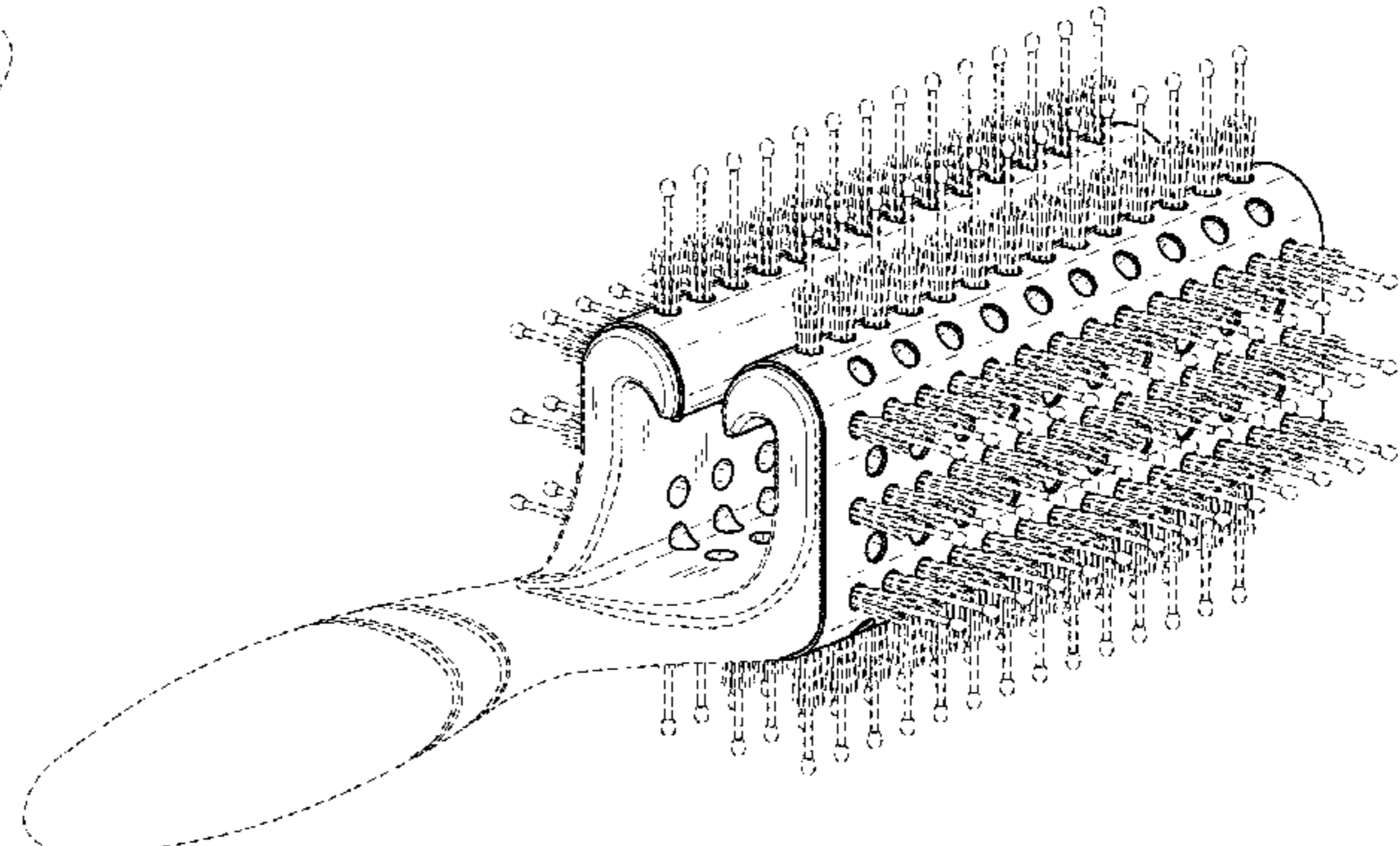
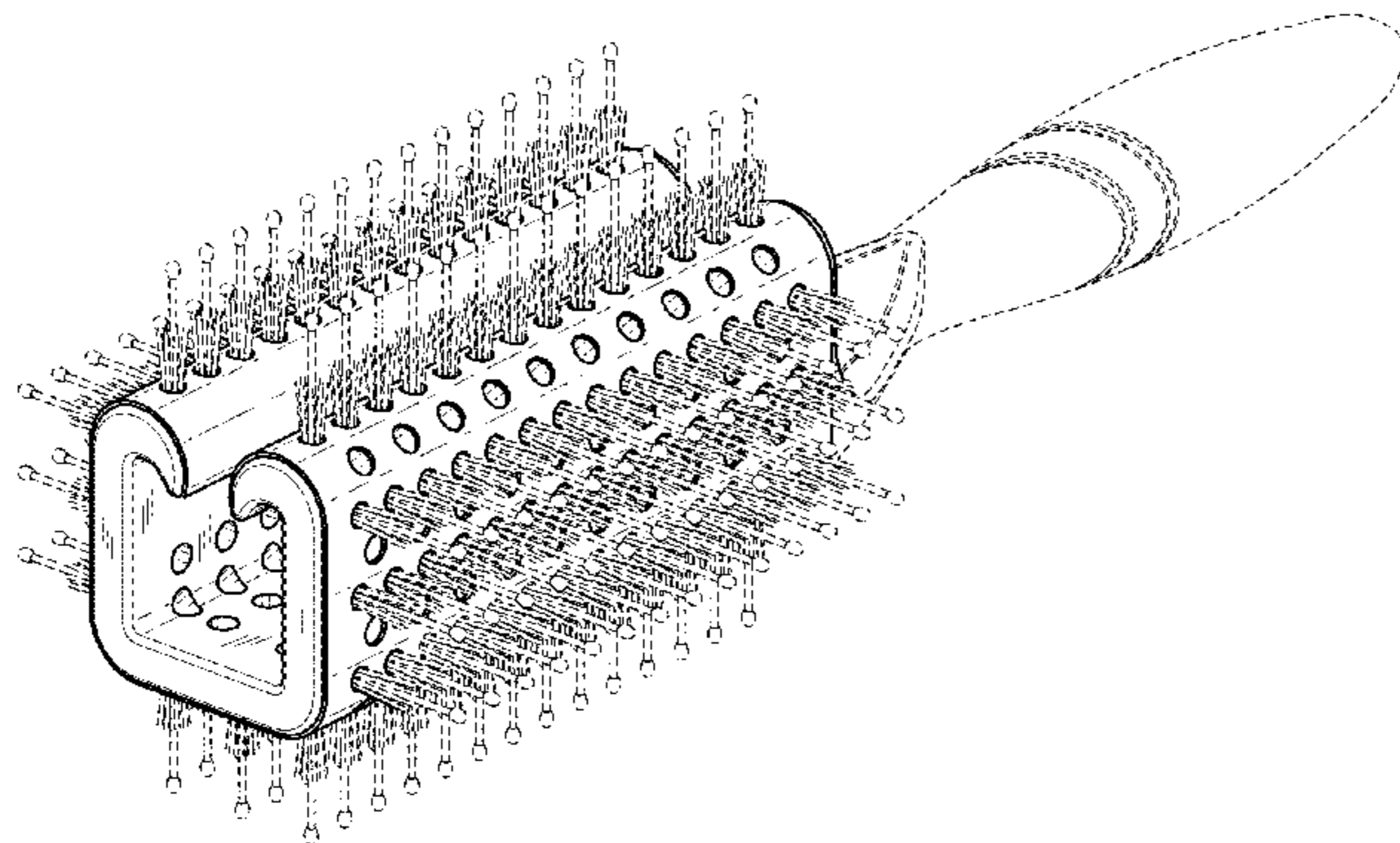
FIG. 6 is a bottom plan view thereof;

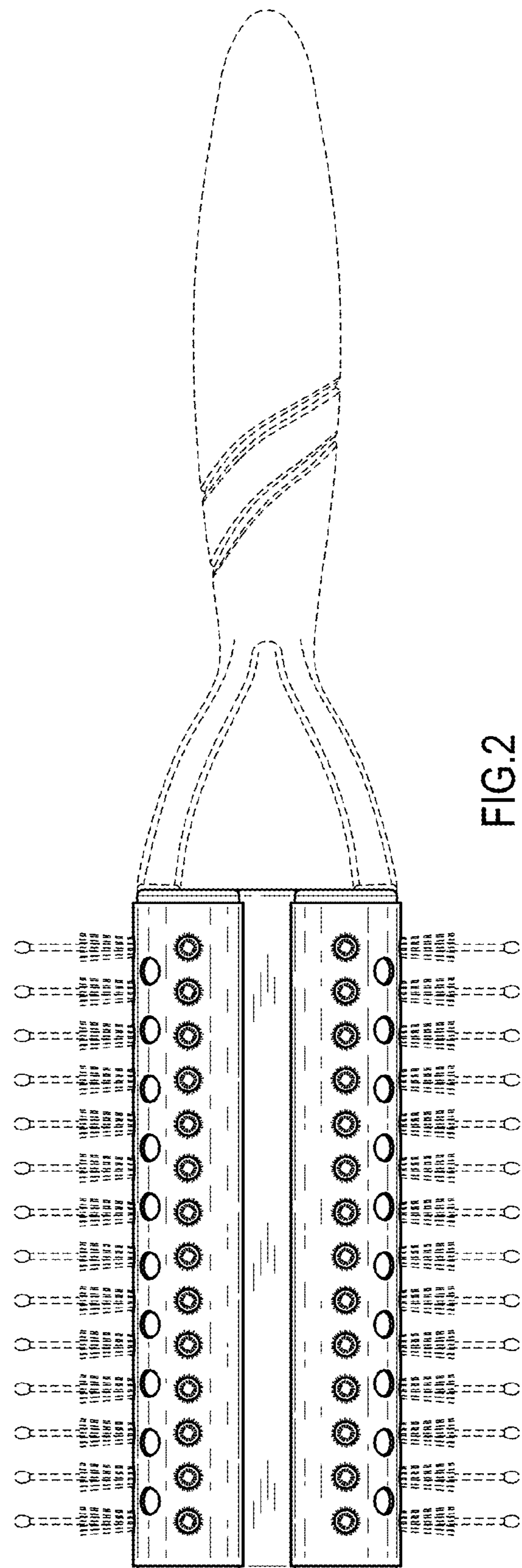
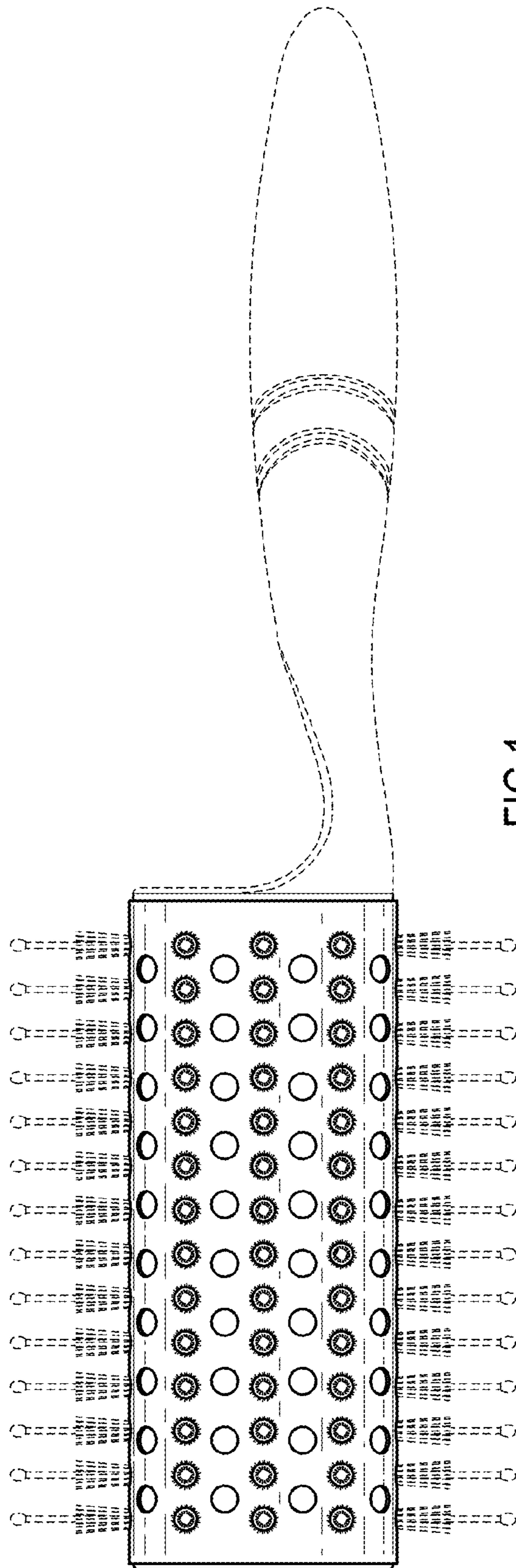
FIG. 7 is a top, rear and right side perspective view thereof; and,

FIG. 8 is a bottom, rear and left side perspective view thereof.

The broken lines showing of the brush handle, brush tips, and bristles illustrate environmental structure that form no part of the claimed design.

1 Claim, 5 Drawing Sheets





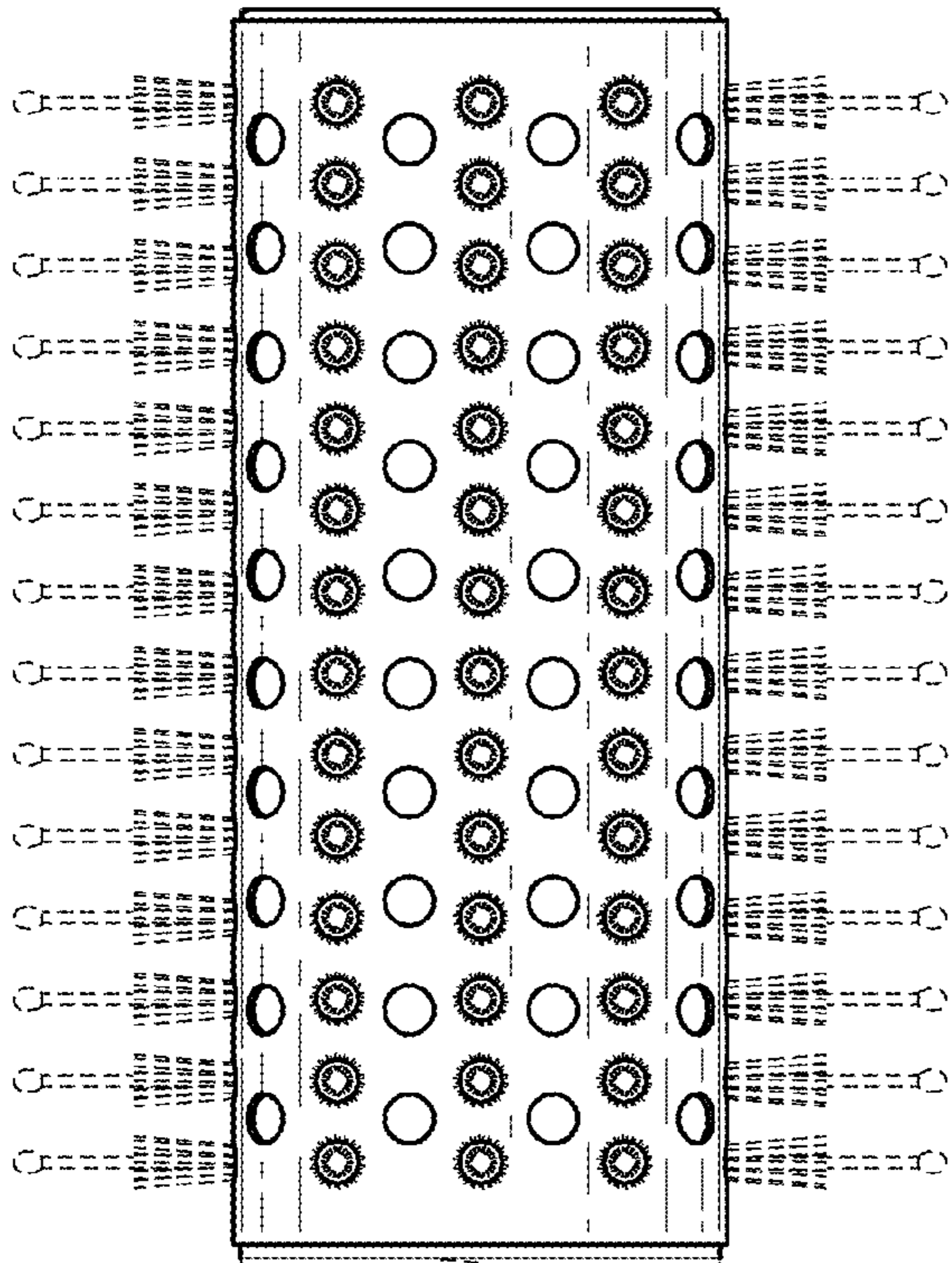


FIG.3

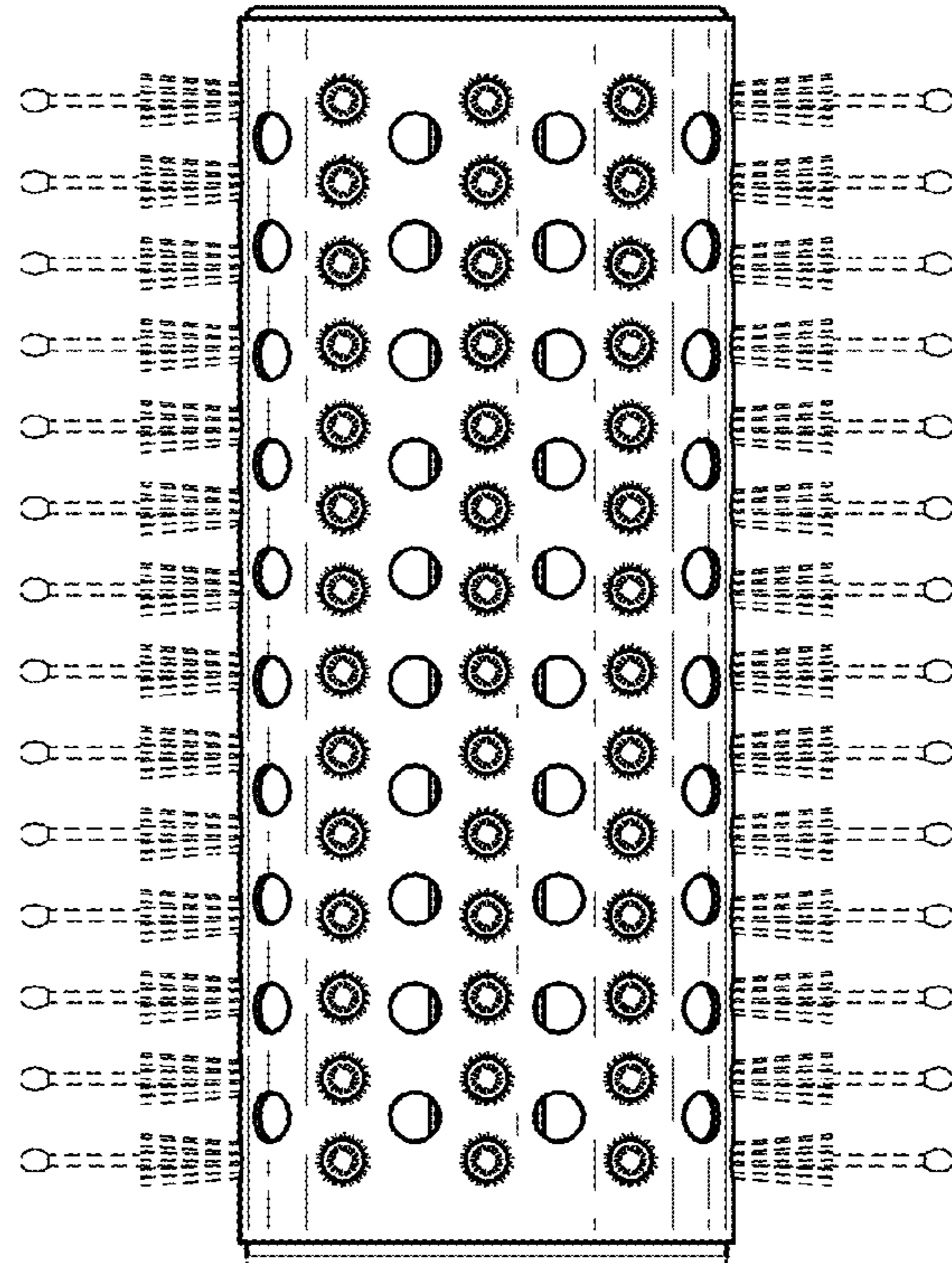
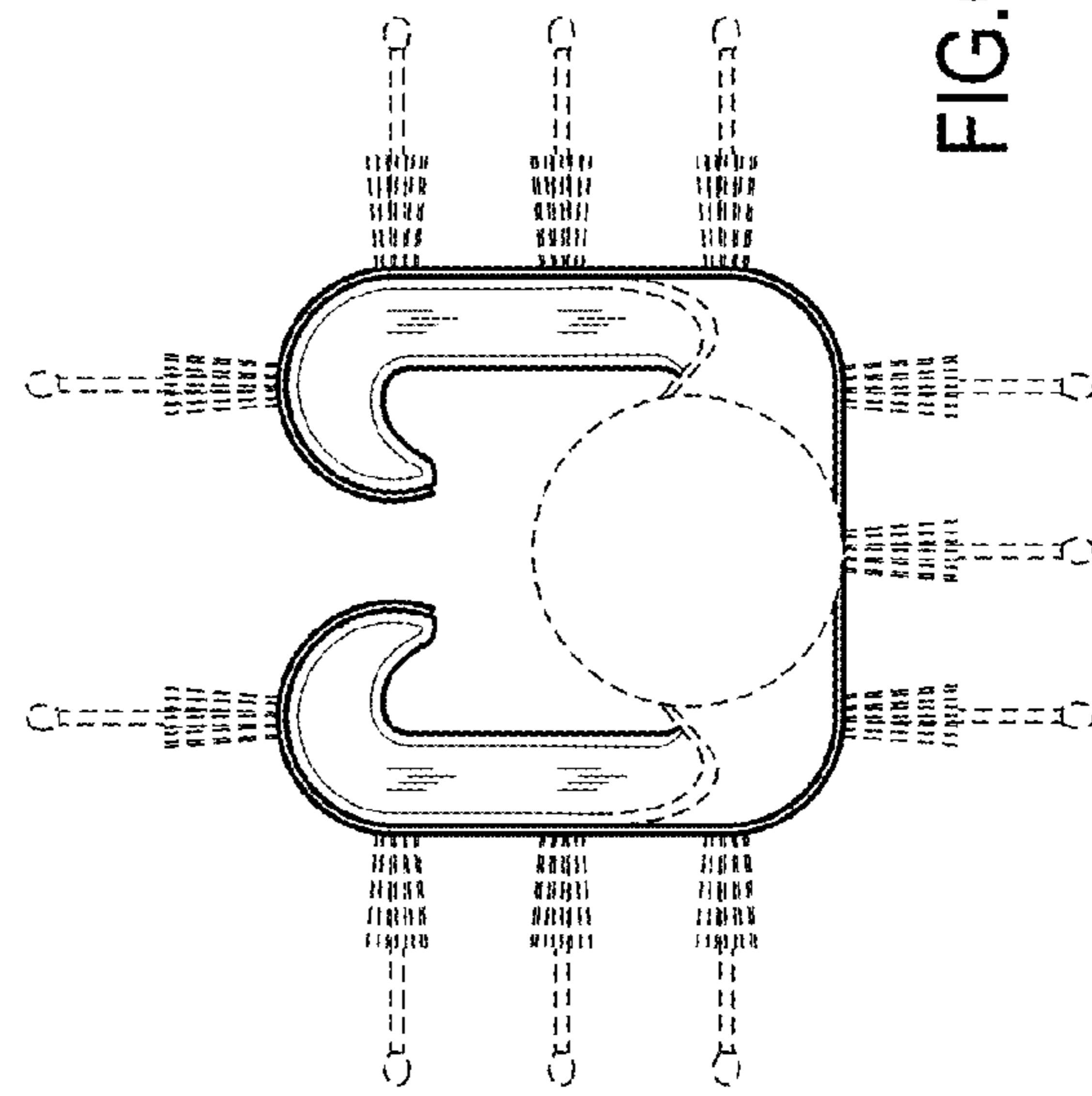
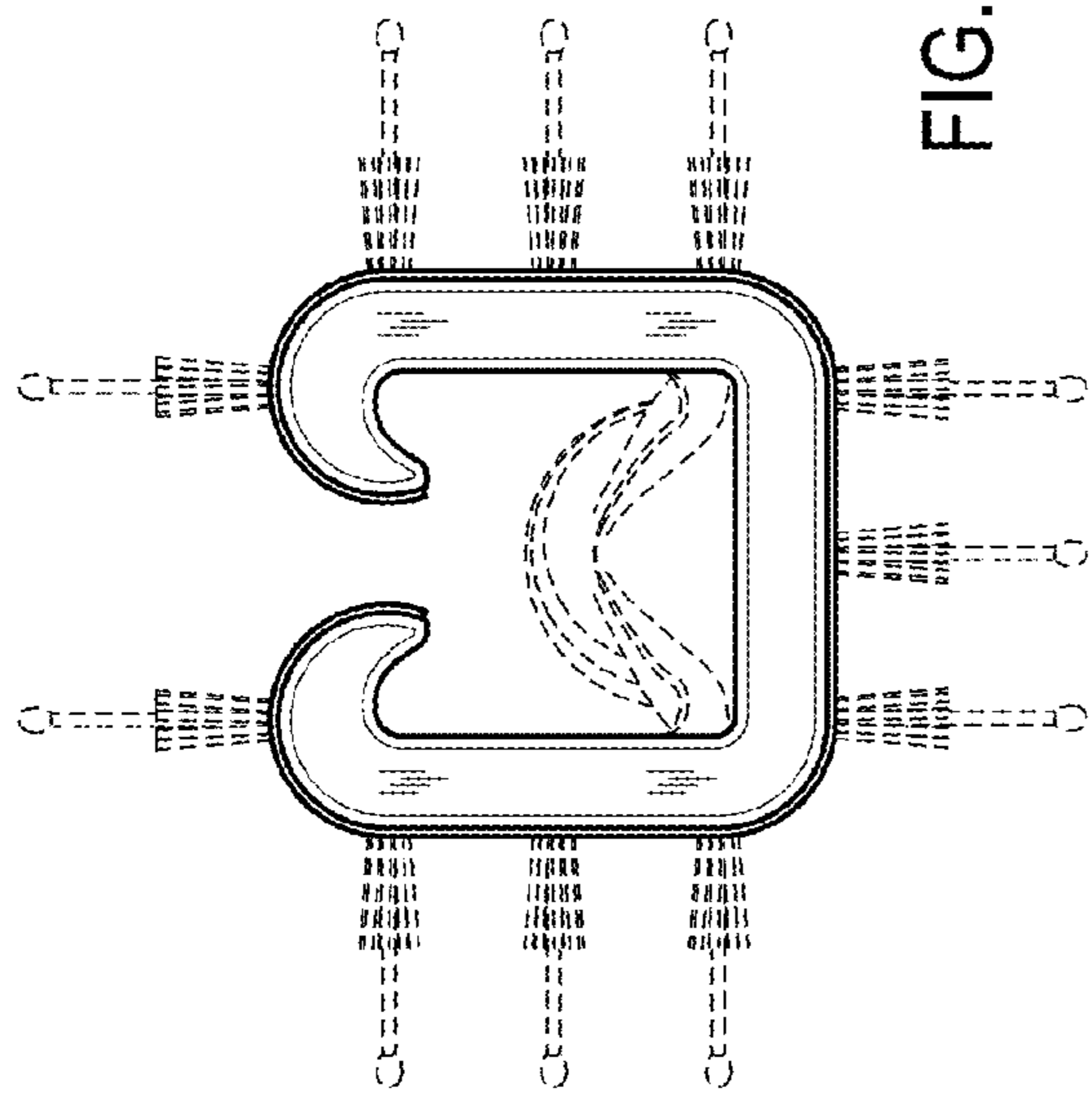


FIG.4



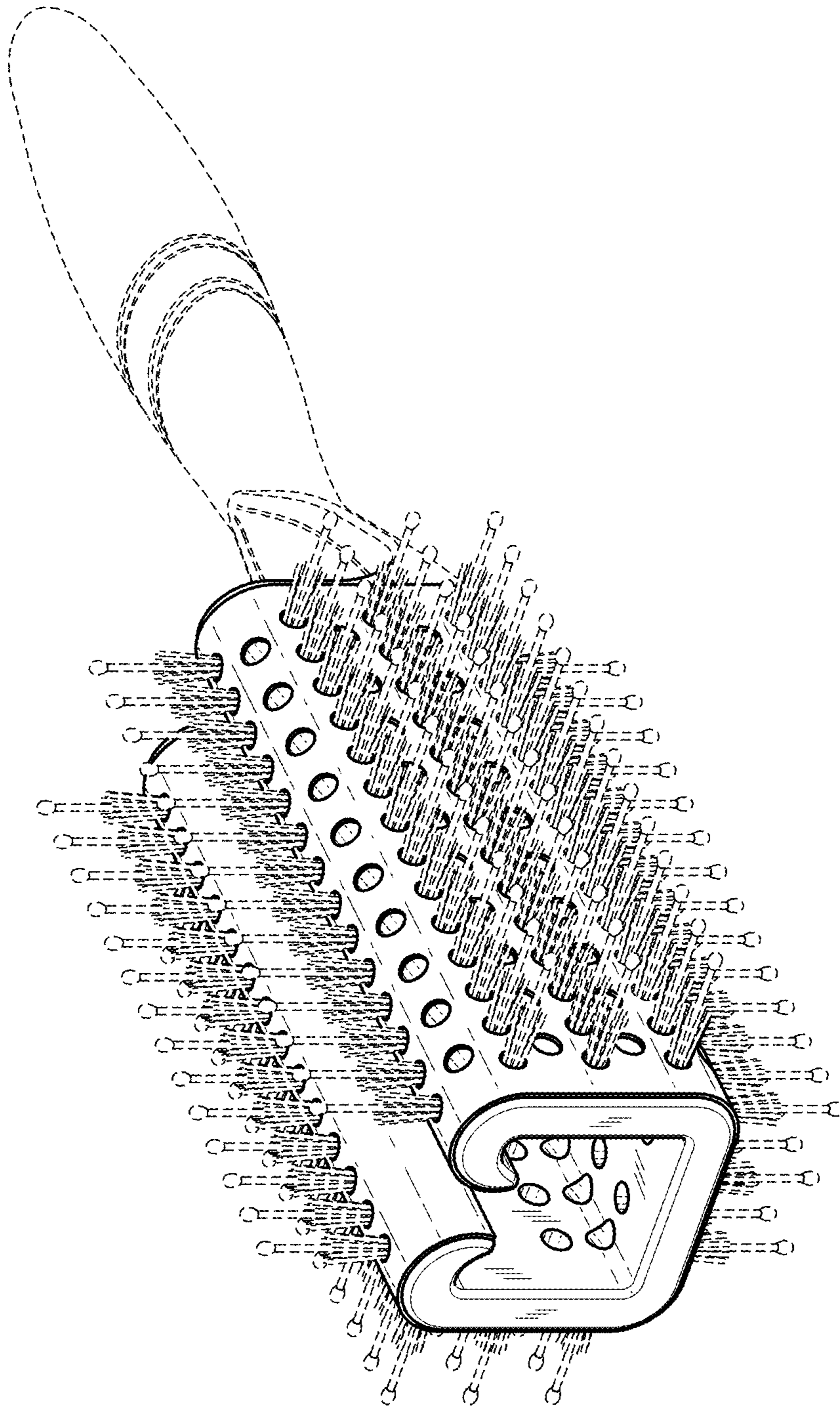


FIG. 7

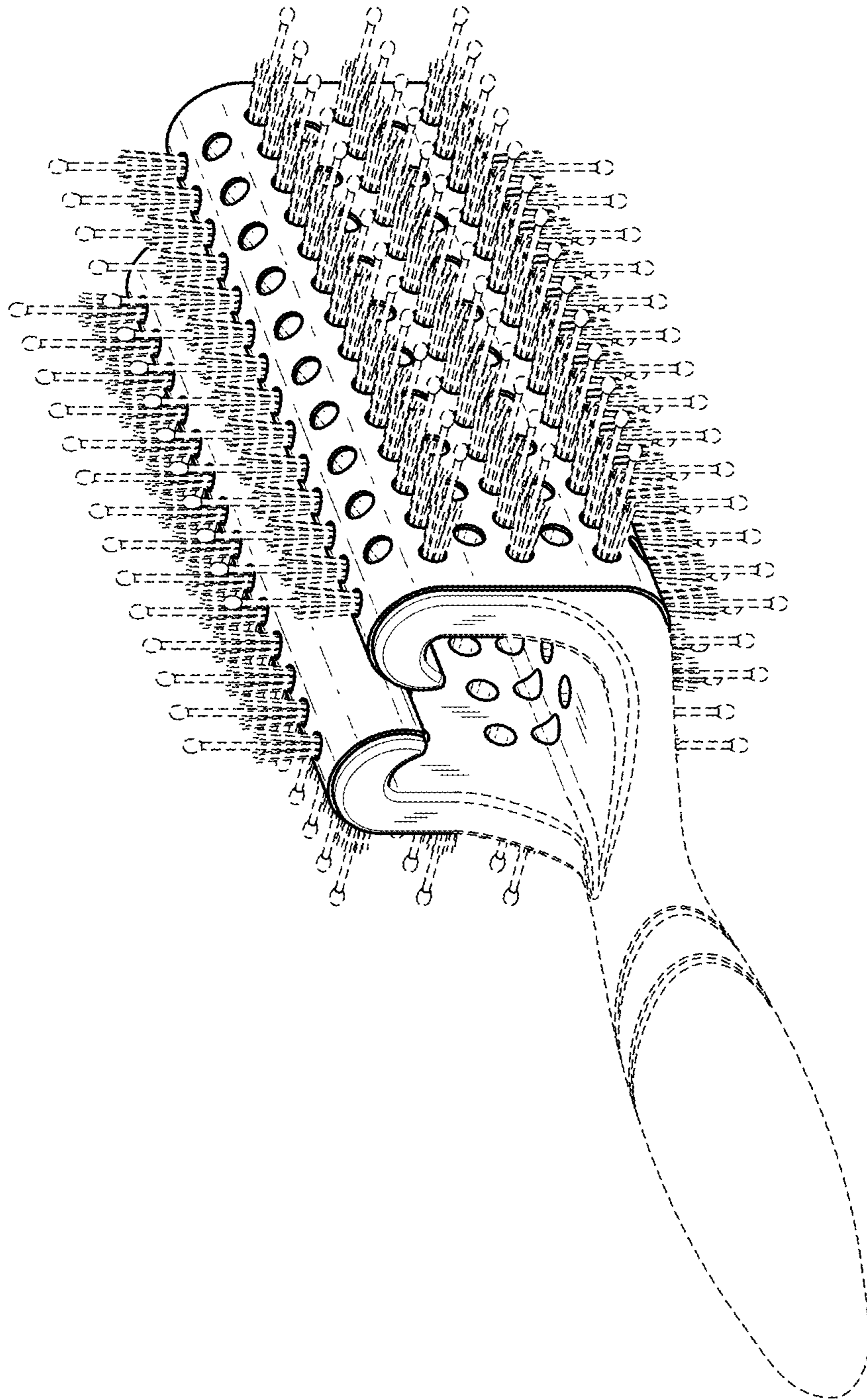


FIG.8