



US00D929745S

(12) **United States Design Patent** (10) **Patent No.:** **US D929,745 S**
Russo (45) **Date of Patent:** **** Sep. 7, 2021**

(54) **BRUSH**
(71) Applicant: **J & D Brush Co., LLC**, Commack, NY (US)
(72) Inventor: **Melissa Russo**, Commack, NY (US)
(73) Assignee: **J & D Brush Co., LLC**, Commack, NY (US)

(**) Term: **15 Years**

(21) Appl. No.: **29/724,037**

(22) Filed: **Feb. 12, 2020**

(51) **LOC (13) Cl.** **04-02**

(52) **U.S. Cl.**
USPC **D4/133**

(58) **Field of Classification Search**
USPC D4/100, 102, 114, 115, 116, 117, 118, D4/119, 120, 121, 122, 123, 124, 125, D4/126, 127, 128, 129, 130, 131, 132, D4/133, 134, 135, 136, 137, 138, 199; D30/158, 159
CPC A46B 5/02; A46B 9/005; A46B 9/023; A46B 9/026; A46B 9/028; A46B 9/06; A46B 2200/104

See application file for complete search history.

(56) **References Cited**

U.S. PATENT DOCUMENTS

D89,846 S * 5/1933 Anderson D19/185
D328,976 S * 9/1992 Herron D4/102
D465,654 S * 11/2002 Richmond D4/102
D466,696 S * 12/2002 Dyk D4/121
D472,052 S * 3/2003 Park D4/119
D473,717 S * 4/2003 Park D4/120
D592,248 S * 5/2009 Gerules D19/174
D673,831 S * 1/2013 Molina D8/83

D693,331 S * 11/2013 Kim D14/218
D816,166 S * 4/2018 Nakata D19/172
D859,003 S * 9/2019 Robbins D4/138
D891,787 S * 8/2020 Robbins D4/134
D892,415 S * 8/2020 Axelrod D30/159
D898,375 S * 10/2020 Robbins D4/121
D906,689 S * 1/2021 Higgins D4/118
2007/0033754 A1 * 2/2007 Diamond A46B 15/003
15/106
2020/0178668 A1 * 6/2020 Chen A46B 15/0051

FOREIGN PATENT DOCUMENTS

WO WO-D204336-001 * 12/2019

* cited by examiner

Primary Examiner — Karen E Eldridge Powers

(74) *Attorney, Agent, or Firm* — Gloria Tsui-Yip; Gottlieb, Rackman & Reisman, P.C.

(57) **CLAIM**

The ornamental design for a brush, as shown and described.

DESCRIPTION

FIG. 1 is a right side elevational view showing a brush of my new design;

FIG. 2 is a rear elevational view thereof;

FIG. 3 is a left side elevational view thereof;

FIG. 4 is a front elevational view thereof

FIG. 5 is a top plan view thereof;

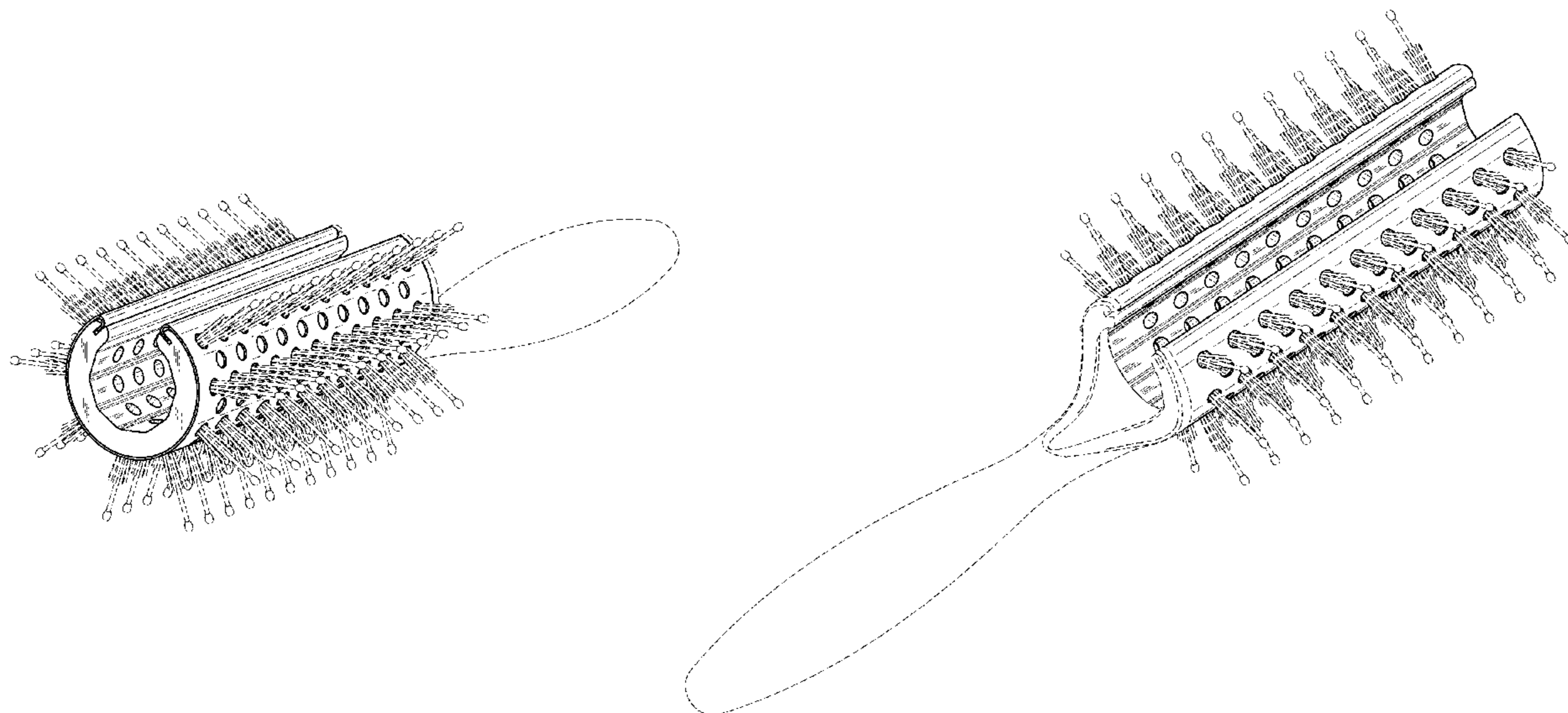
FIG. 6 is a bottom plan view thereof;

FIG. 7 is a top, rear and right side perspective view thereof; and,

FIG. 8 is a bottom, rear and left side perspective view thereof;

The broken lines showing of the brush handle, brush tips, and bristles illustrate environmental structure that form no part of the claimed design.

1 Claim, 5 Drawing Sheets



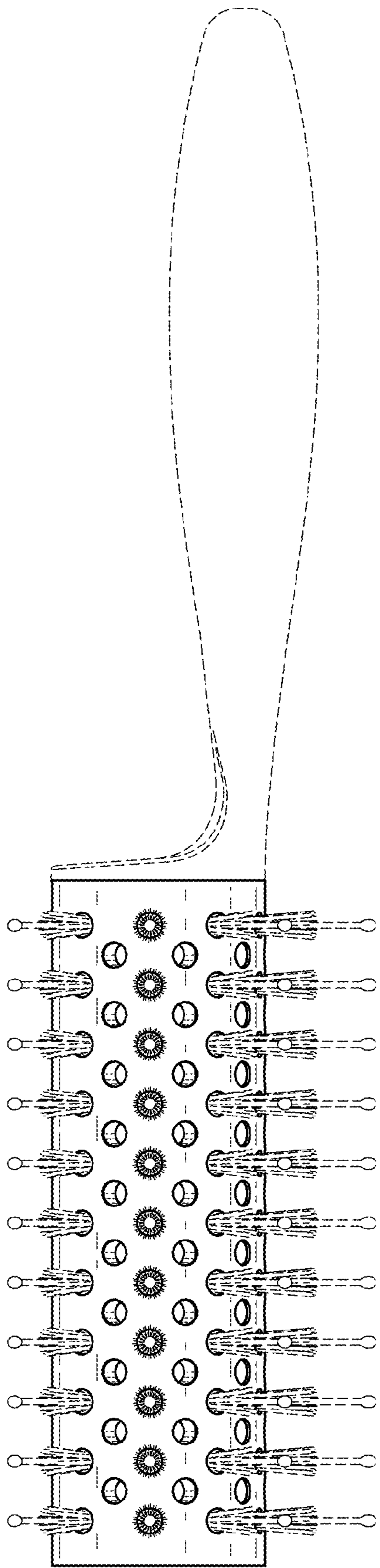


FIG. 1

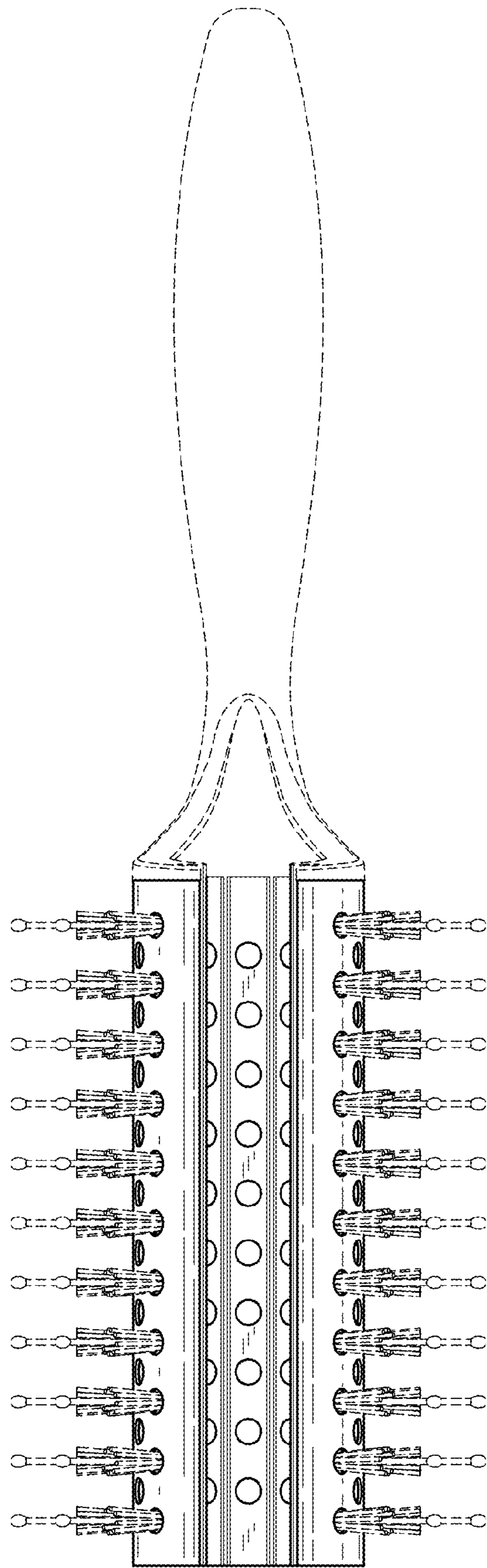


FIG. 2

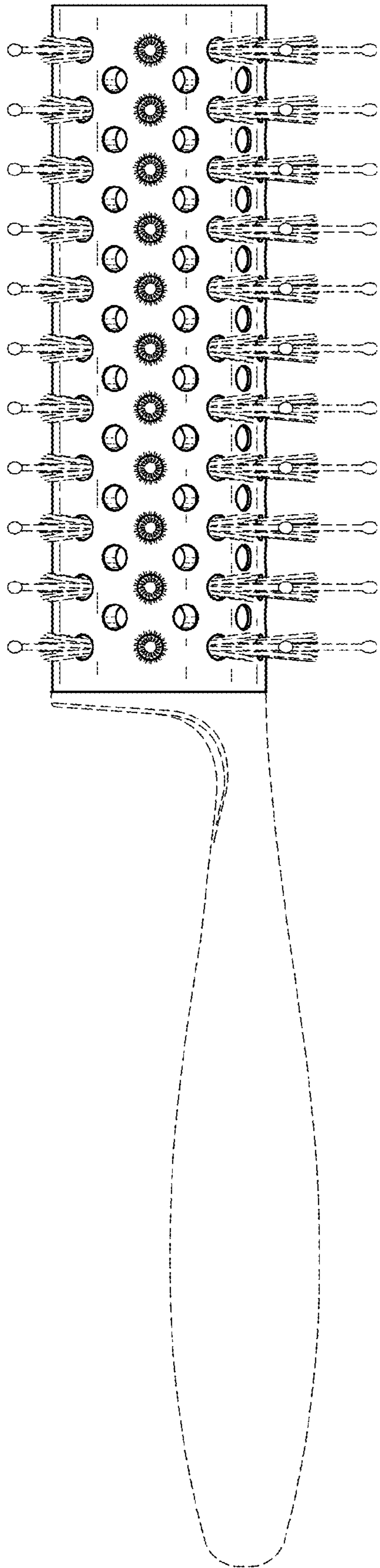


FIG.3

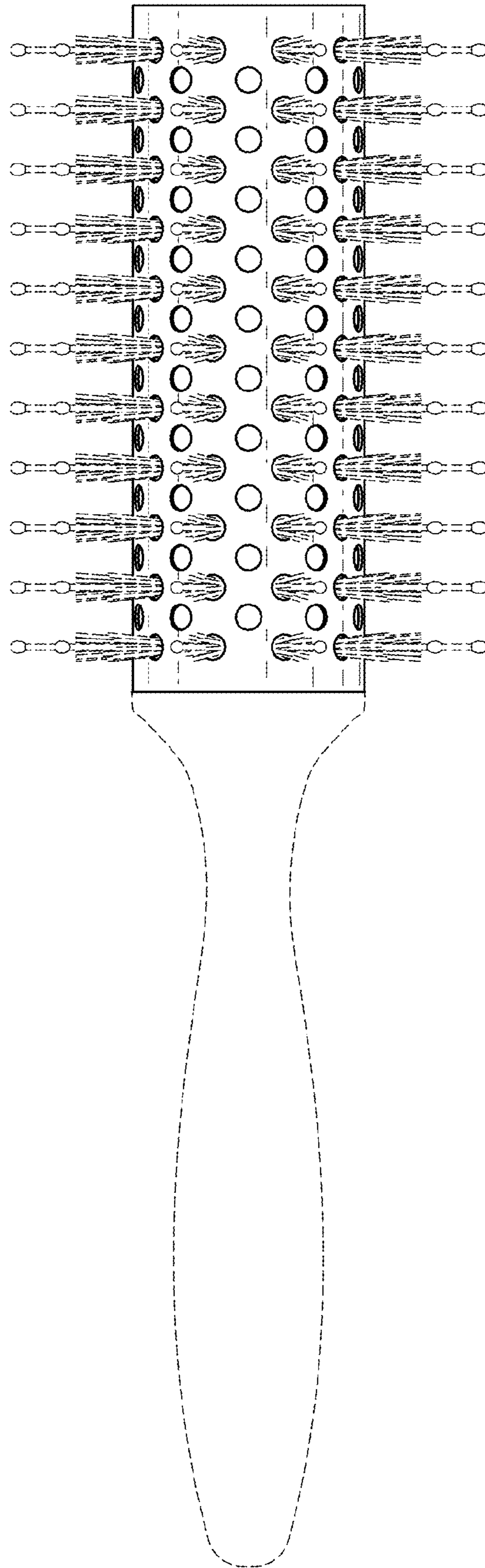


FIG.4

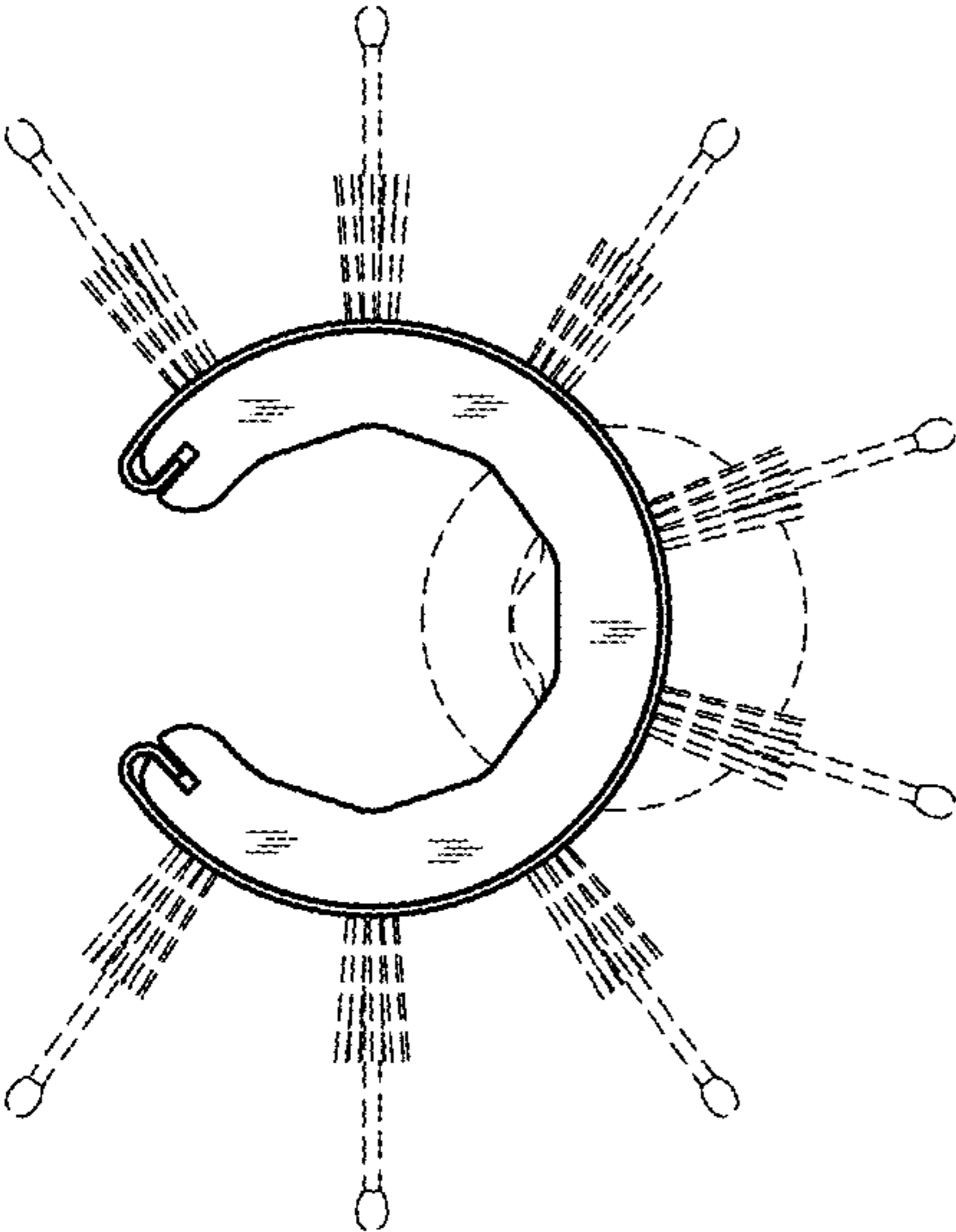


FIG. 5

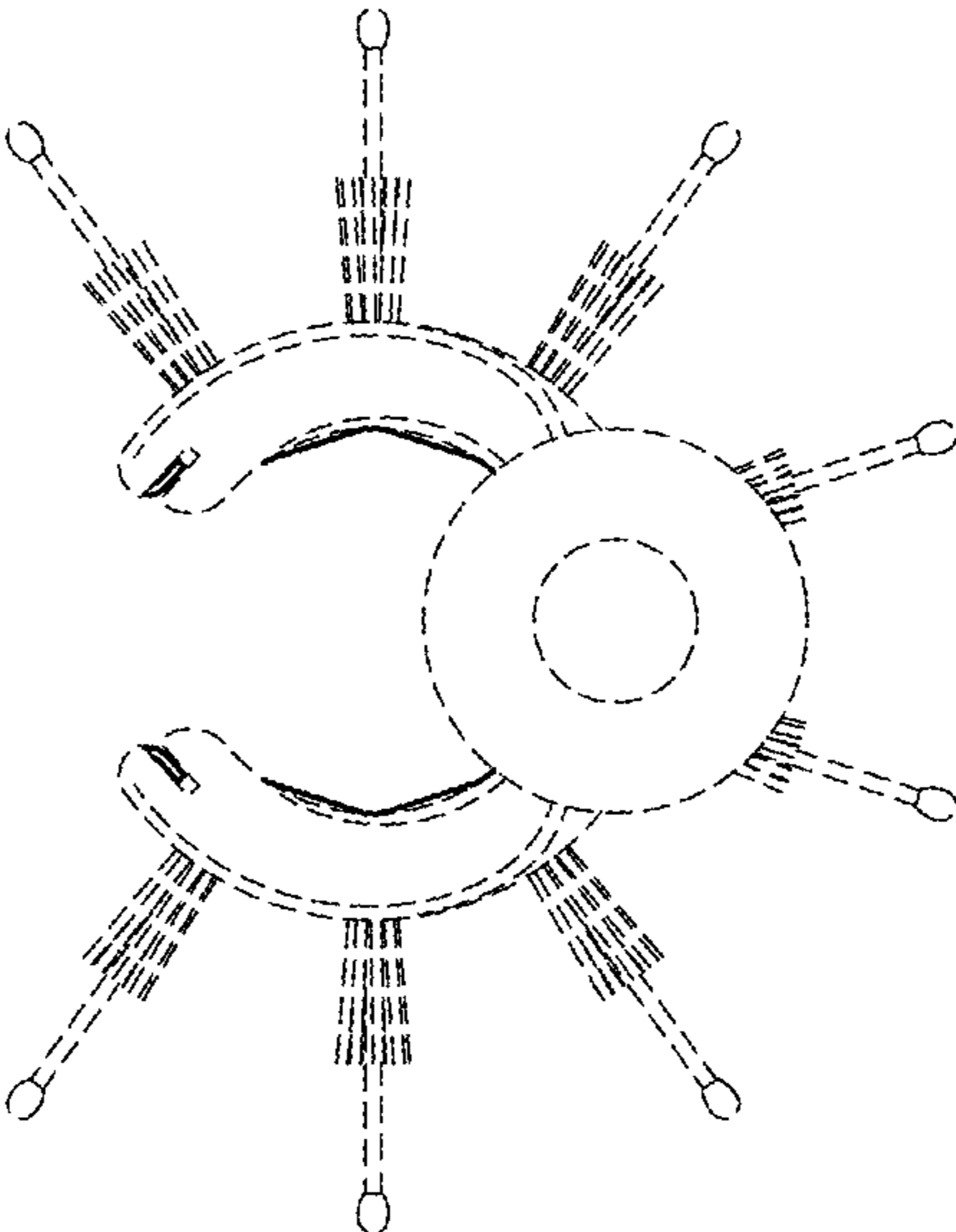


FIG. 6

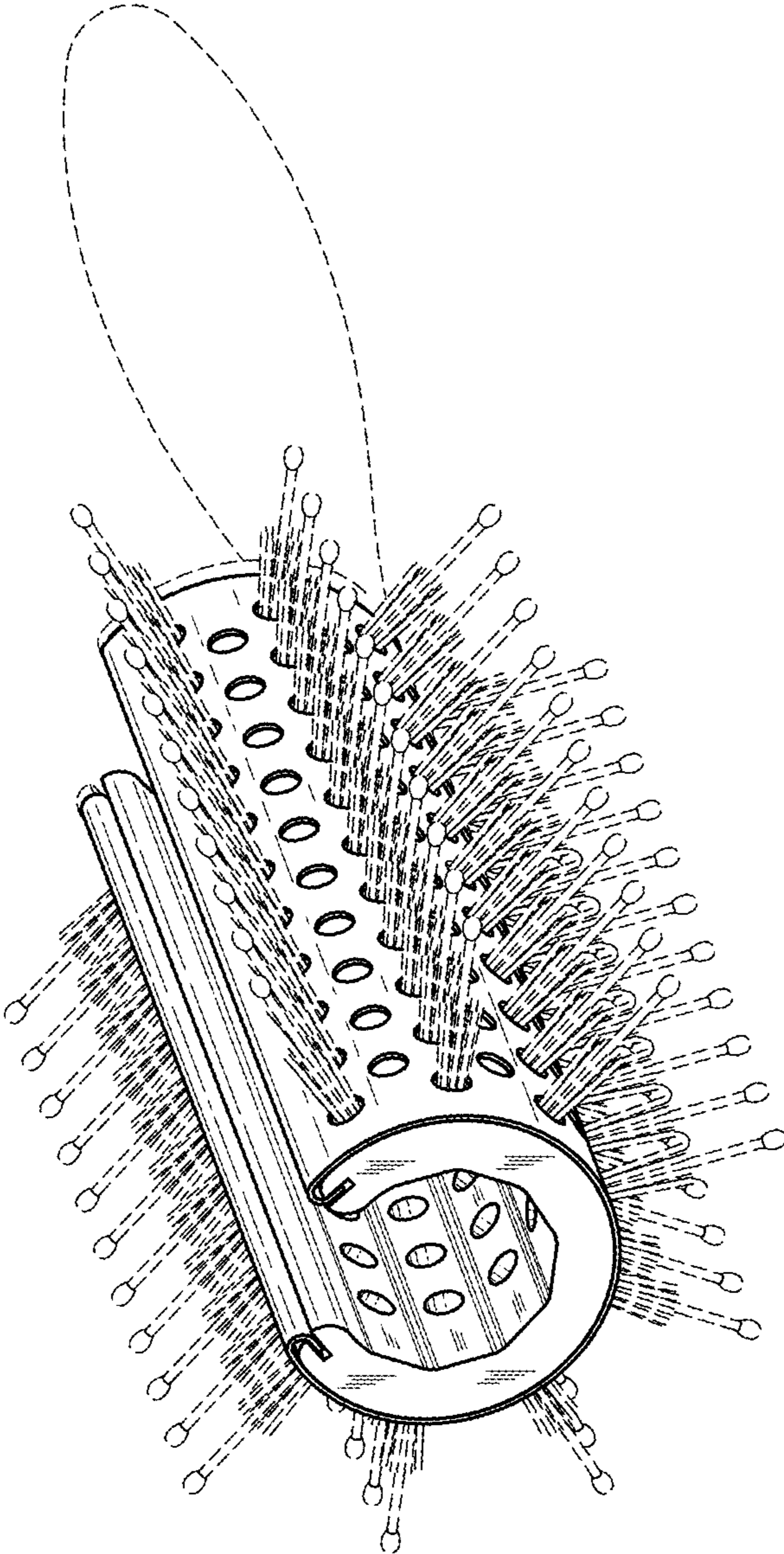


FIG.7

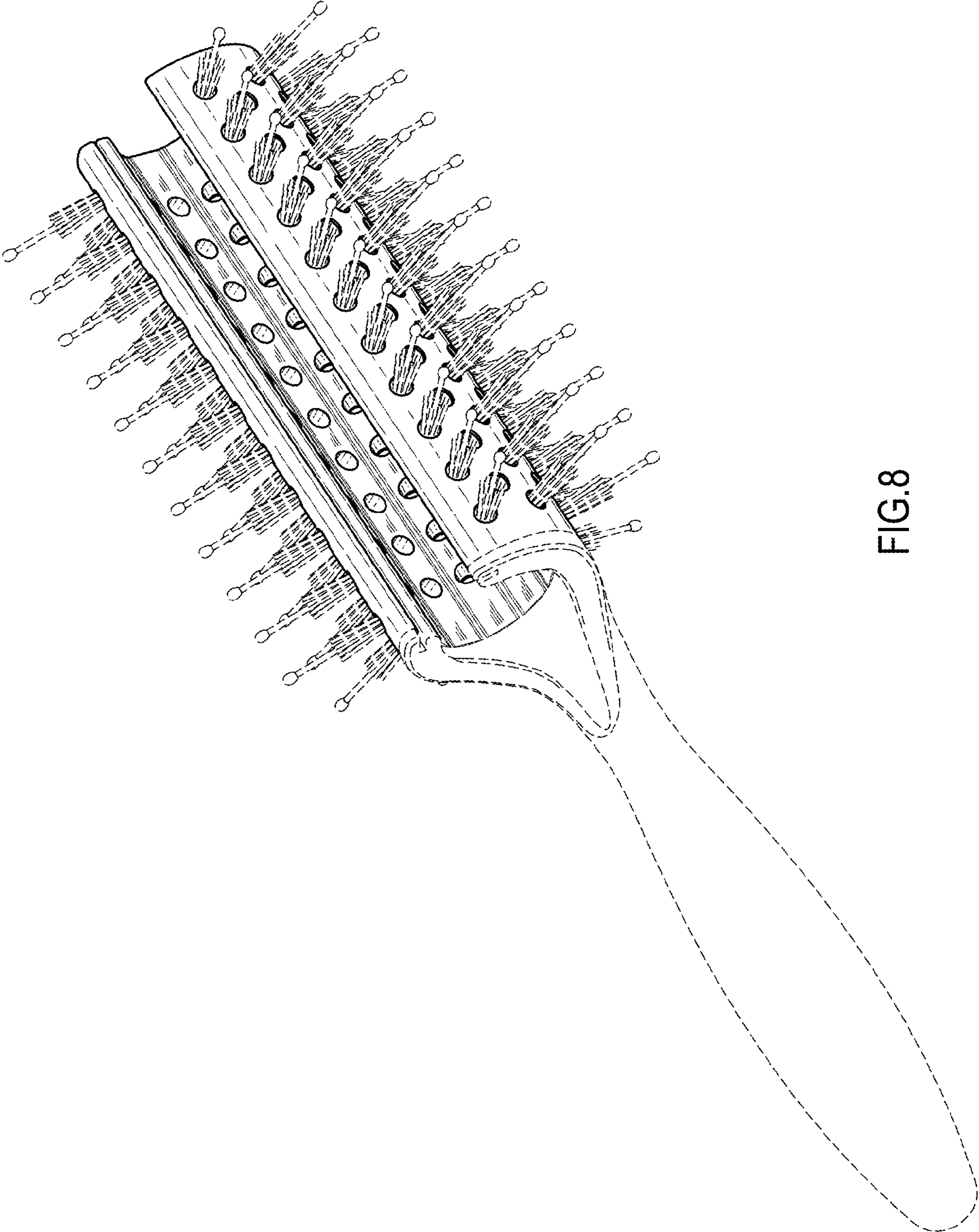


FIG. 8