



US00D929744S

(12) **United States Design Patent**
Godin et al.

(10) **Patent No.:** **US D929,744 S**
(45) **Date of Patent:** **** Sep. 7, 2021**

(54) **COSMETICS BRUSH HEAD WITH RESERVOIRS**

6,363,948 B2 4/2002 Choi
D480,217 S * 10/2003 Mink A46B 9/021
D4/127

(71) Applicant: **Anisa International, Inc.**, Atlanta, GA
(US)

7,101,107 B1 9/2006 Byun
(Continued)

(72) Inventors: **Sarina Godin**, Sandy Springs, GA
(US); **NaTasha Miller**, Atlanta, GA
(US)

FOREIGN PATENT DOCUMENTS

KR 300973273.0000 * 9/2018
WO 2020092318 5/2020
WO 2020092737 5/2020

(73) Assignee: **Anisa International, Inc.**, Atlanta, GA
(US)

OTHER PUBLICATIONS

Godin, Sarina; International Search Report and Written Opinion for PCT Application No. PCT/US19/58486, filed Oct. 29, 2019, dated Jan. 16, 2020, 8 pgs.

(**) Term: **15 Years**

(Continued)

(21) Appl. No.: **29/705,618**

(22) Filed: **Sep. 13, 2019**

Primary Examiner — Karen E Eldridge Powers

(51) **LOC (13) Cl.** **04-02**

(74) *Attorney, Agent, or Firm* — Taylor English Duma LLP

(52) **U.S. Cl.**

USPC **D4/127; D4/135**

(58) **Field of Classification Search**

USPC D4/114, 115, 116, 117, 118, 119, 120,
D4/121, 122, 123, 124, 125, 126, 127,
D4/128, 129, 130, 131, 132, 133, 134,
D4/135, 136, 137, 138, 199; D28/7

CPC A46B 9/021; A46B 11/00; A45D 33/36

See application file for complete search history.

(57) **CLAIM**

We claim the ornamental design for a cosmetics brush head with reservoirs, as shown and described.

DESCRIPTION

FIG. 1 is a perspective view of a cosmetics brush head with reservoirs.

FIG. 2 is a front elevation view thereof.

FIG. 3 is a rear elevation view thereof.

FIG. 4 is a right-side elevation view thereof.

FIG. 5 is a left-side elevation view thereof.

FIG. 6 is a top plan view thereof.

FIG. 7 is a bottom plan view thereof; and,

FIG. 8 is a cross-sectional view thereof taken along line 8-8 in FIG. 6.

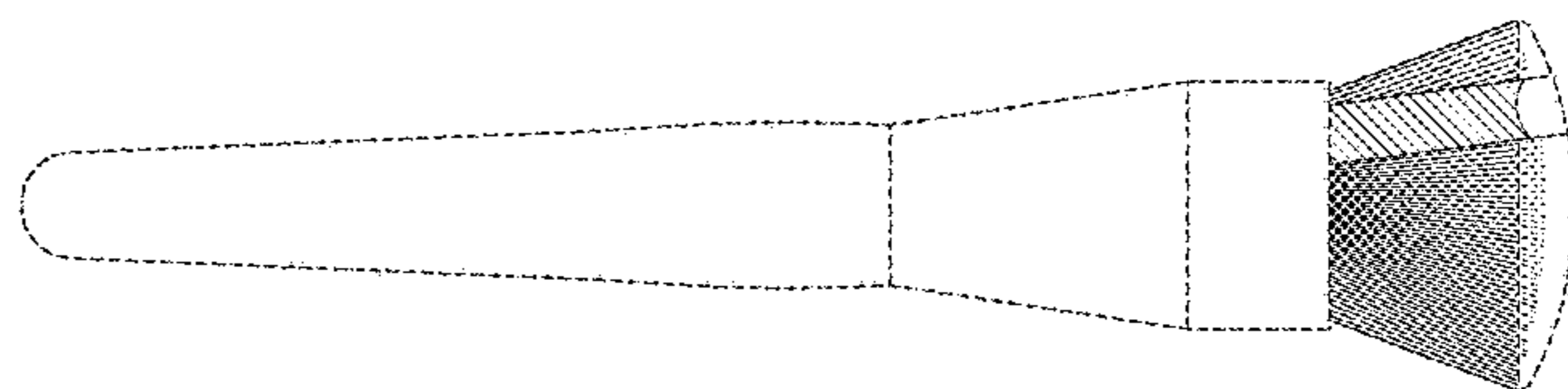
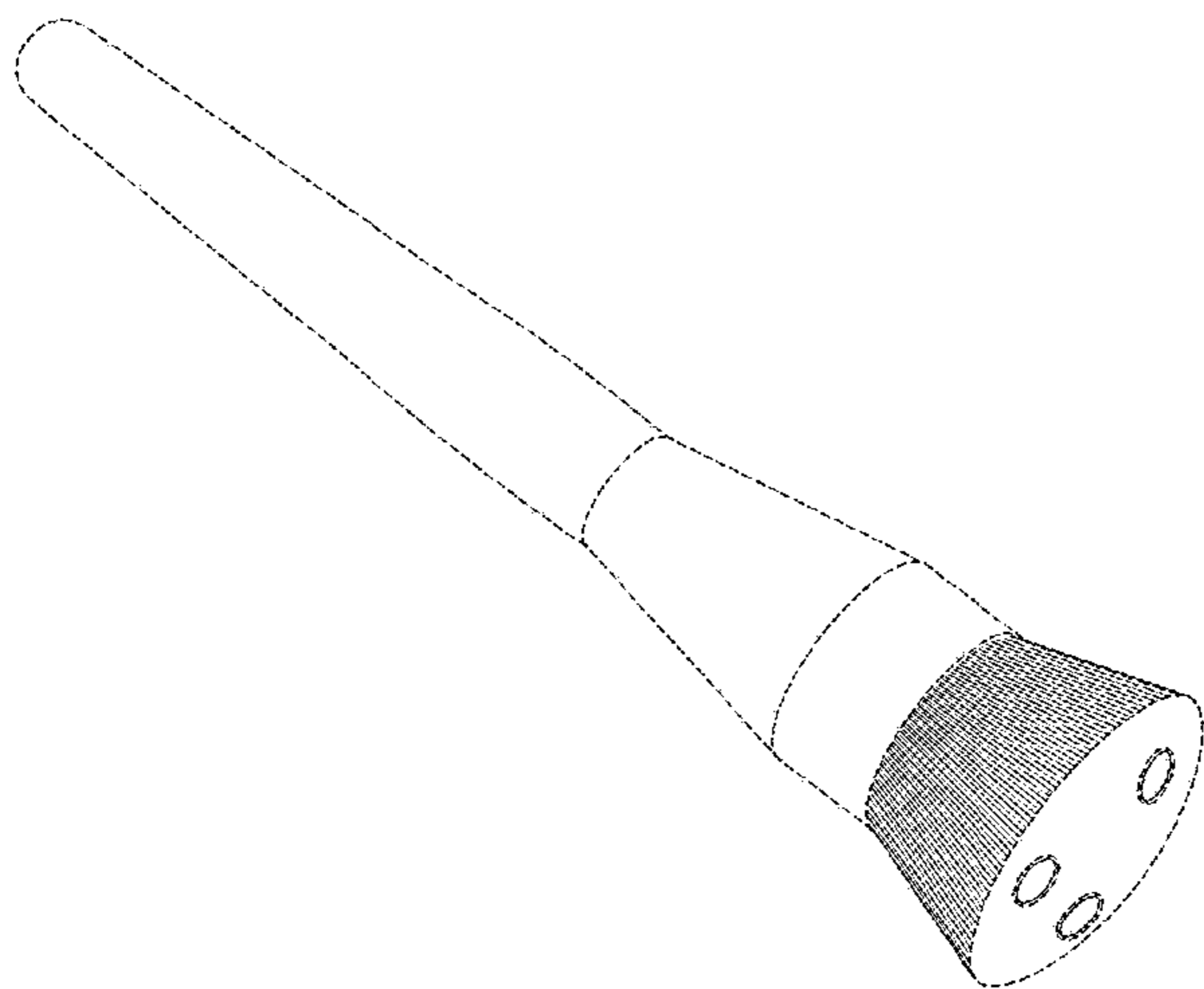
Those features shown in broken lines—including an end of a brush head, shown in FIGS. 1-6 and 8; a ferrule, shown in FIGS. 1-5, 7 and 8; and a handle, shown in FIGS. 1-5, 7 and 8—form no part of the claimed design.

(56) **References Cited**

U.S. PATENT DOCUMENTS

299,144 A 5/1884 Huntbatch
1,175,705 A * 3/1916 Ciai A46B 11/0013
401/281
3,167,806 A 2/1965 Hogan
3,495,922 A 2/1970 Steinman
4,944,625 A 7/1990 Futter et al.
5,891,063 A 4/1999 Vigil
6,161,978 A 12/2000 Dovellos
6,224,287 B1 5/2001 Gieux

1 Claim, 4 Drawing Sheets



(56)

References Cited

U.S. PATENT DOCUMENTS

7,275,885 B2 10/2007 Byun
 7,644,466 B2 1/2010 Weihrauch et al.
 8,104,132 B2 1/2012 Mink
 8,678,693 B2 3/2014 Sturgis et al.
 9,204,704 B1 12/2015 Wolfe
 9,320,349 B2 4/2016 Hwang
 D755,526 S 5/2016 Ward
 D781,593 S * 3/2017 Kaicker D4/128
 9,635,927 B2 * 5/2017 Godin A46B 9/028
 D793,090 S 8/2017 Allen et al.
 9,826,823 B1 11/2017 Velazquez et al.
 D827,308 S * 9/2018 Nicoline D4/138
 D834,329 S * 11/2018 Hwang D4/127
 D836,920 S * 1/2019 Richards A46B 5/0095
 D4/138
 10,182,643 B2 1/2019 Nicoline
 D840,693 S * 2/2019 Hwang D4/127
 10,238,202 B2 3/2019 Serposi
 D845,646 S * 4/2019 Nicoline D4/138
 10,258,140 B2 4/2019 Wilson et al.
 D857,400 S * 8/2019 Nicoline D4/138
 D893,198 S * 8/2020 Kaicker D4/135
 10,736,410 B2 8/2020 Kaicker
 D905,968 S 12/2020 Kaicker et al.
 10,856,643 B2 12/2020 Hwang
 D914,369 S 3/2021 Somma
 2002/0014246 A1 2/2002 Choi
 2004/0003478 A1 * 1/2004 Mink A46B 9/021
 15/160
 2004/0047676 A1 3/2004 Dumler
 2007/0151061 A1 7/2007 Mink
 2007/0177930 A1 8/2007 Byun
 2010/0101035 A1 4/2010 Nakamura
 2010/0239358 A1 9/2010 Sturgis et al.
 2011/0020052 A1 1/2011 Kim

2013/0121752 A1 5/2013 Byun
 2014/0331422 A1 12/2014 Lim
 2018/0153293 A1 6/2018 Dovellos et al.
 2018/0220786 A1 8/2018 Serposi
 2020/0138168 A1 5/2020 Godin et al.
 2020/0138177 A1 5/2020 Godin et al.

OTHER PUBLICATIONS

Godin, Sarina; International Search Report and Written Opinion for PCT Application No. PCT/US2019/059114, filed Oct. 31, 2019, dated Jan. 10, 2020, 9 pgs.
 Kiko Cosmetics; Article entitled: "Sponge-core brush for liquid and traditional foundation", located at <<https://www.kikocosmetics.com/en-us/accessories/brushes/face-brushes/Face-06-Sponge-Core-Foundation-Brush/p-KM0050101800644>>, accessed on Dec. 5, 2018, 3 pgs.
 Godin, Sarina; Ex Parte Quayle Action for Design U.S. Appl. No. 29/700,167, filed Jul. 31, 2019, mailed Dec. 22, 2020, 16 pgs.
 Godin, Sarina; Ex Parte Quayle Action for Design U.S. Appl. No. 29/700,177, filed Jul. 31, 2019, mailed Dec. 22, 2020, 14 pgs.
 Godin, Sarina; International Preliminary Report on Patentability for PCT Application No. PCT/US19/58486, filed Oct. 29, 2019, dated May 14, 2021, 7 pgs.
 Godin, Sarina; International Preliminary Report on Patentability for PCT Application No. PCT/US2019/059114, filed Oct. 31, 2019, dated May 14, 2021, 8 pgs.
 Godin, Sarina; Corrected Notice of Allowance for Design U.S. Appl. No. 29/700,167, filed Jul. 31, 2019, dated Jun. 7, 2021, 4 pgs.
 Godin, Sarina; Notice of Allowance for U.S. Appl. No. 29/700,167, filed Jul. 31, 2019, dated May 4, 2021, 9 pgs.
 Godin, Sarina; Notice of Allowance for U.S. Appl. No. 29/700,177, filed Jul. 31, 2019, dated May 4, 2021, 9 pgs.
 Godin, Sarina; Ex Parte Quayle Action for Design U.S. Appl. No. 29/706,428, filed Sep. 20, 2019, dated May 11, 2021, 18 pgs.

* cited by examiner

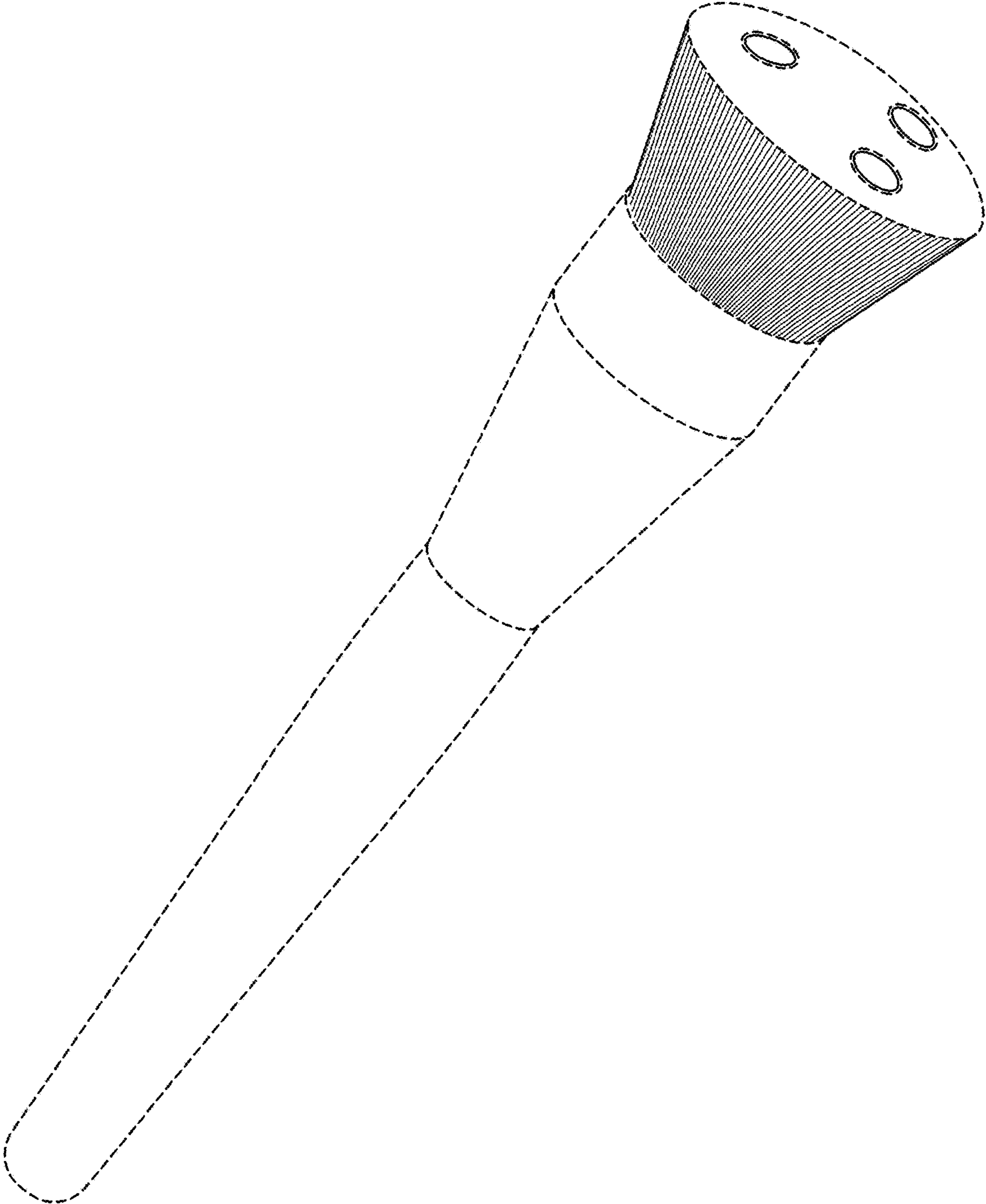


FIG. 1

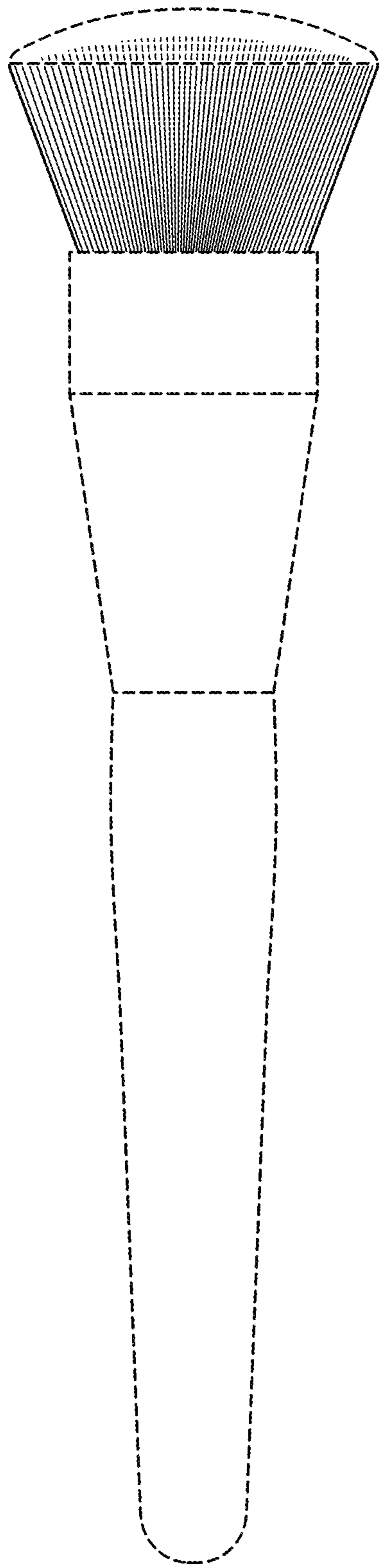


FIG. 2

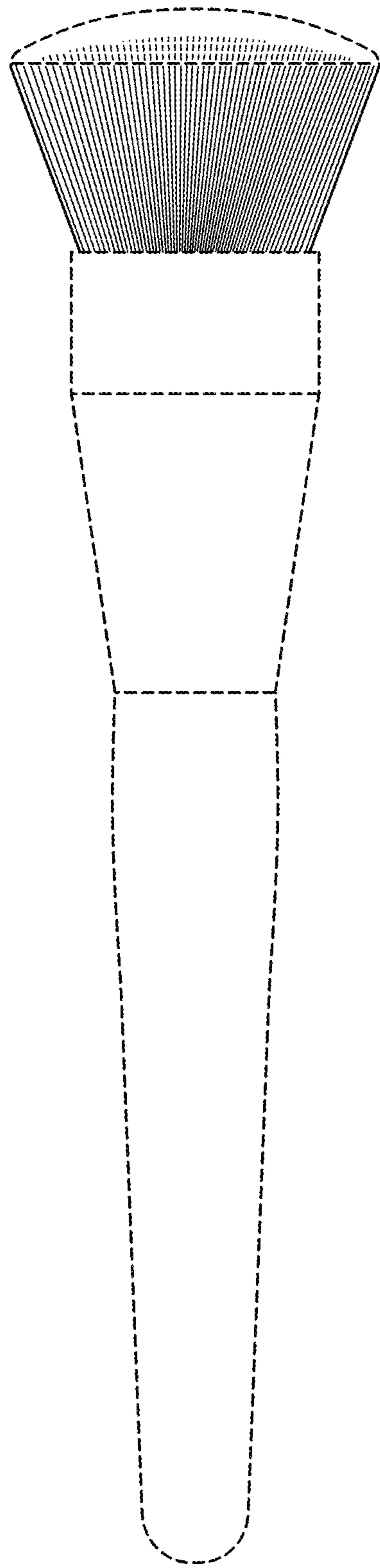


FIG. 3

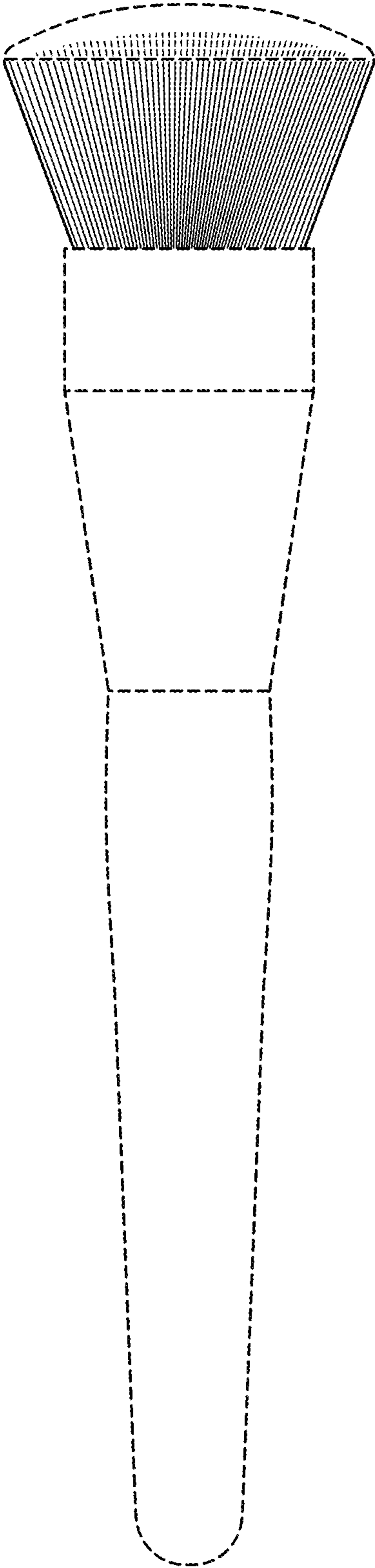


FIG. 4

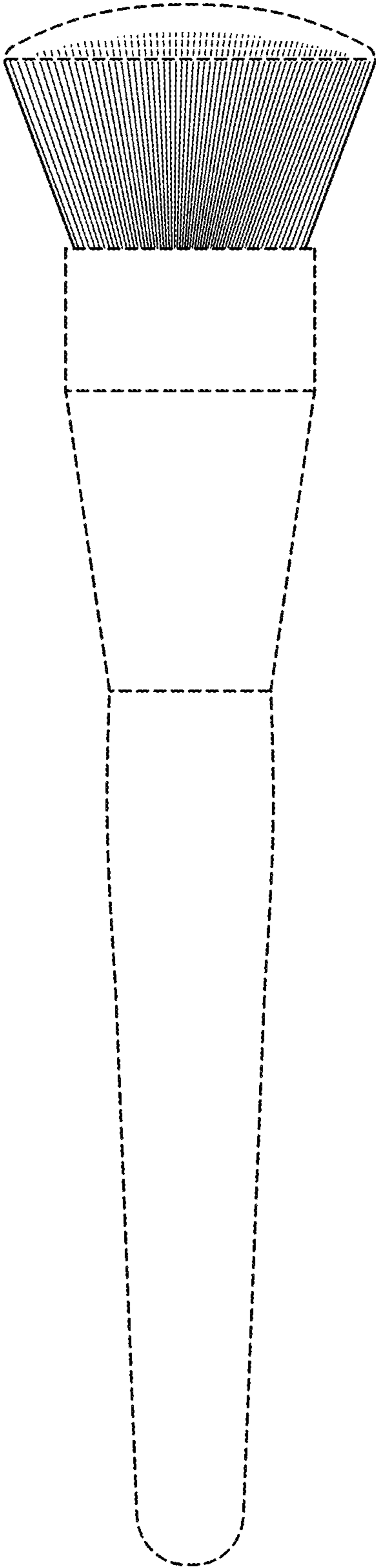


FIG. 5

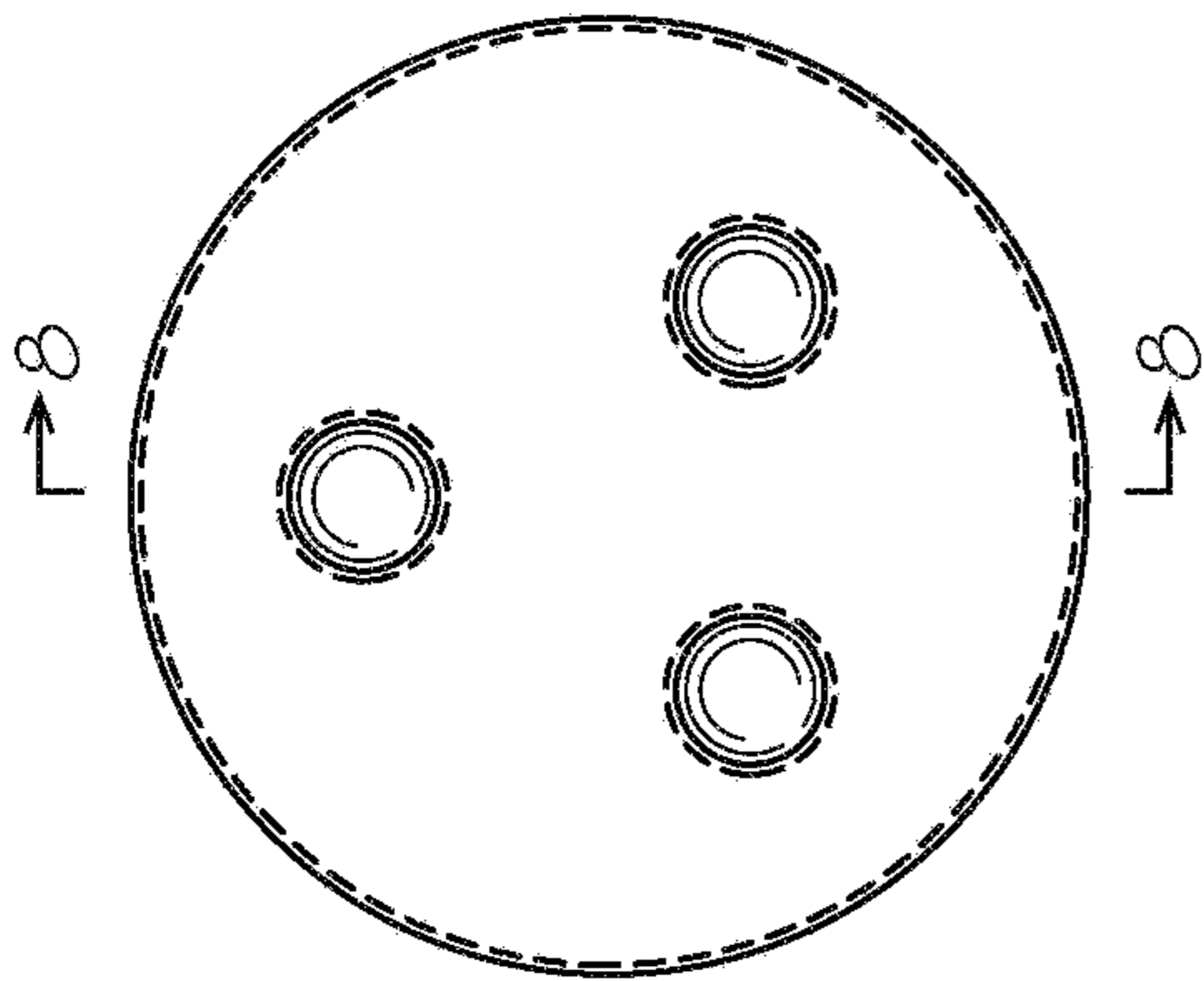


FIG. 6

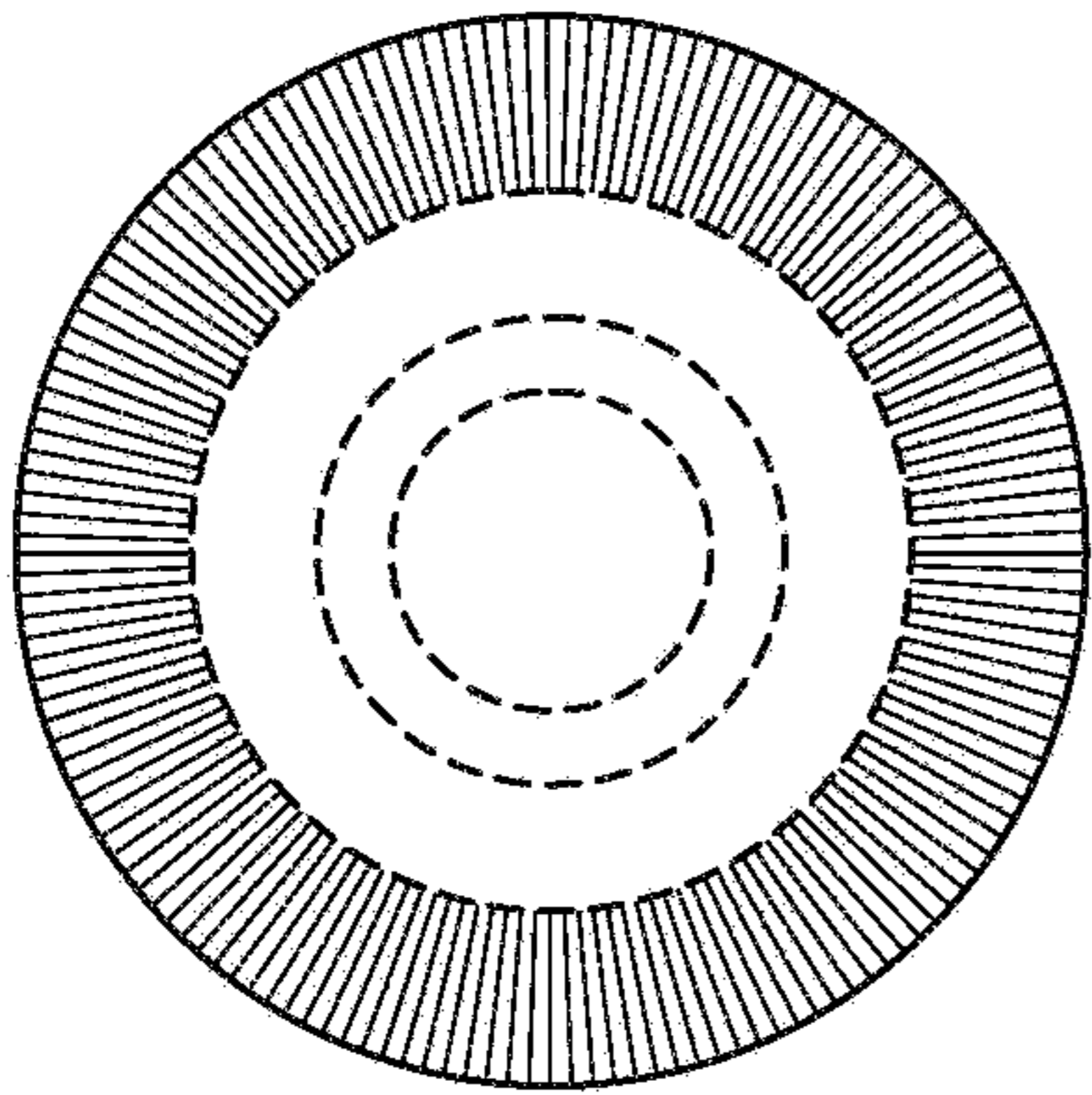


FIG. 7

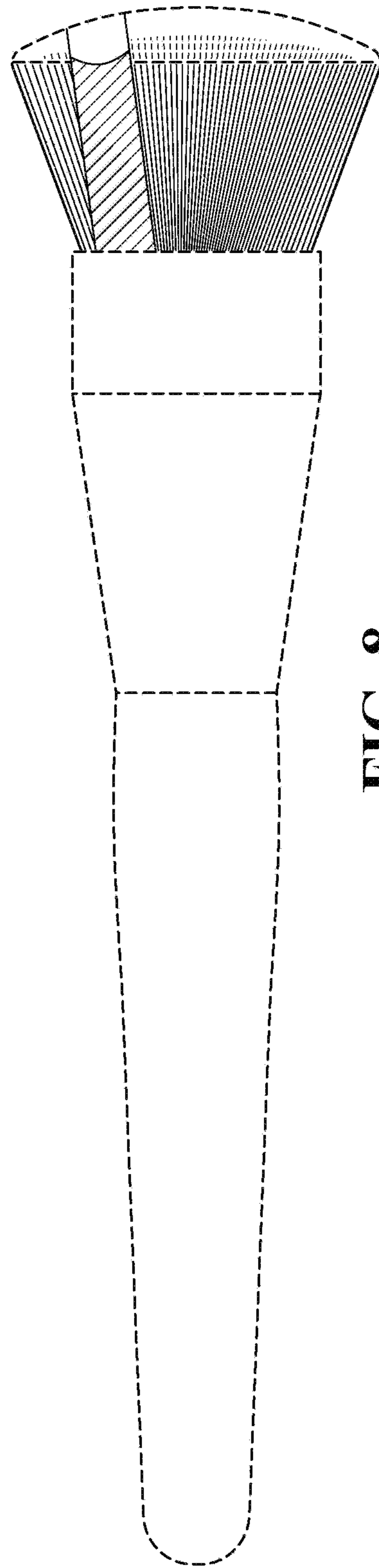


FIG. 8