



US00D929742S

(12) **United States Design Patent** (10) **Patent No.:** **US D929,742 S**  
**Godin et al.** (45) **Date of Patent:** **\*\* Sep. 7, 2021**

(54) **COSMETICS BRUSH HEAD WITH TUBE**

FOREIGN PATENT DOCUMENTS

(71) Applicant: **Anisa International, Inc.**, Atlanta, GA (US)

WO 2020092318 5/2020  
WO 2020092737 5/2020

(72) Inventors: **Sarina Godin**, Sandy Springs, GA (US); **Sarah Soto**, Atlanta, GA (US); **Shuai Chen**, Atlanta, GA (US)

OTHER PUBLICATIONS

Kiko Cosmetics; Article entitled: "Sponge-core brush for liquid and traditional foundation", located at <<https://www.kikocosmetics.com/en-us/accessories/brushes/face-brushes/Face-06-Sponge-Core-Foundation-Brush/p-KM0050101800644>>, accessed on Dec. 5, 2018, 3 pgs.

(73) Assignee: **Anisa International, Inc.**, Atlanta, GA (US)

(\*\*) Term: **15 Years**

(Continued)

(21) Appl. No.: **29/700,167**

*Primary Examiner* — Karen E Eldridge Powers

(22) Filed: **Jul. 31, 2019**

(74) *Attorney, Agent, or Firm* — Taylor English Duma LLP

(51) **LOC (13) Cl.** ..... **04-02**

(52) **U.S. Cl.**  
USPC ..... **D4/127; D4/135**

(57) **CLAIM**

We claim the ornamental design for a cosmetics brush head with tube, as shown and described.

(58) **Field of Classification Search**  
USPC ..... D4/114, 115, 116, 117, 118, 119, 120, D4/121, 122, 123, 124, 125, 126, 127, D4/128, 129, 130, 131, 132, 133, 134, D4/135, 136, 137, 138, 199; D28/7  
CPC ..... A46B 9/021; A46B 11/00; A45D 33/36  
See application file for complete search history.

**DESCRIPTION**

FIG. 1 is a perspective view of a cosmetics brush head with tube.  
FIG. 2 is a front elevation view thereof.  
FIG. 3 is a rear elevation view thereof.  
FIG. 4 is a right-side elevation view thereof.  
FIG. 5 is a left-side elevation view thereof.  
FIG. 6 is a top plan view thereof.  
FIG. 7 is a bottom plan view thereof.  
FIG. 8 is a cross-sectional view thereof taken along line 8-8 in FIG. 6; and,  
FIG. 9 is a cross-sectional view thereof taken along line 9-9 in FIG. 8.

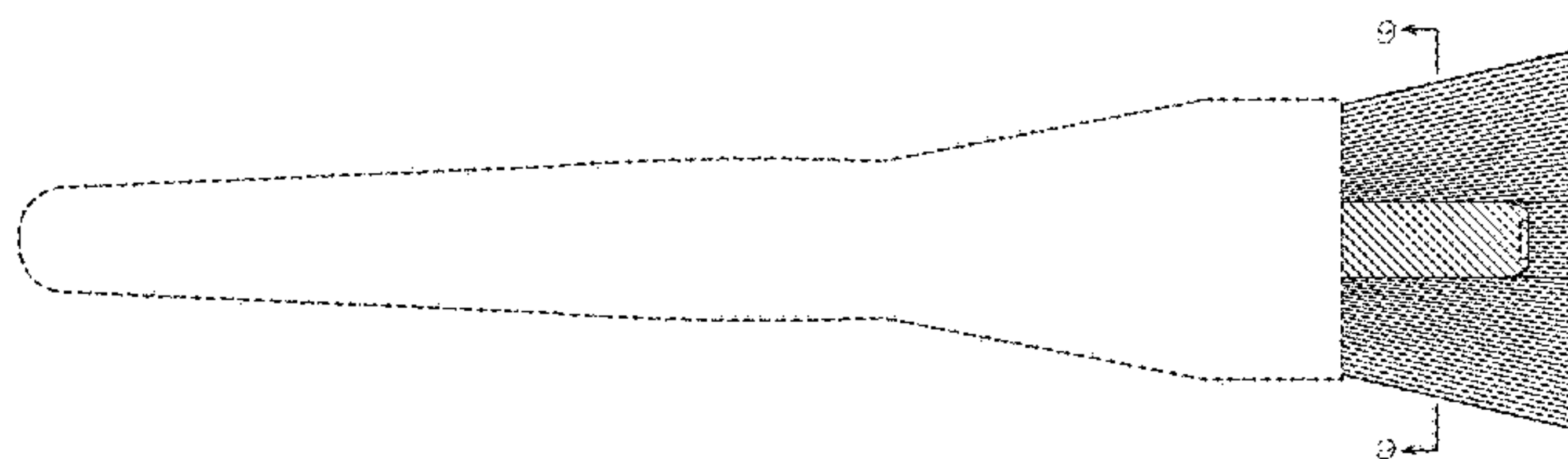
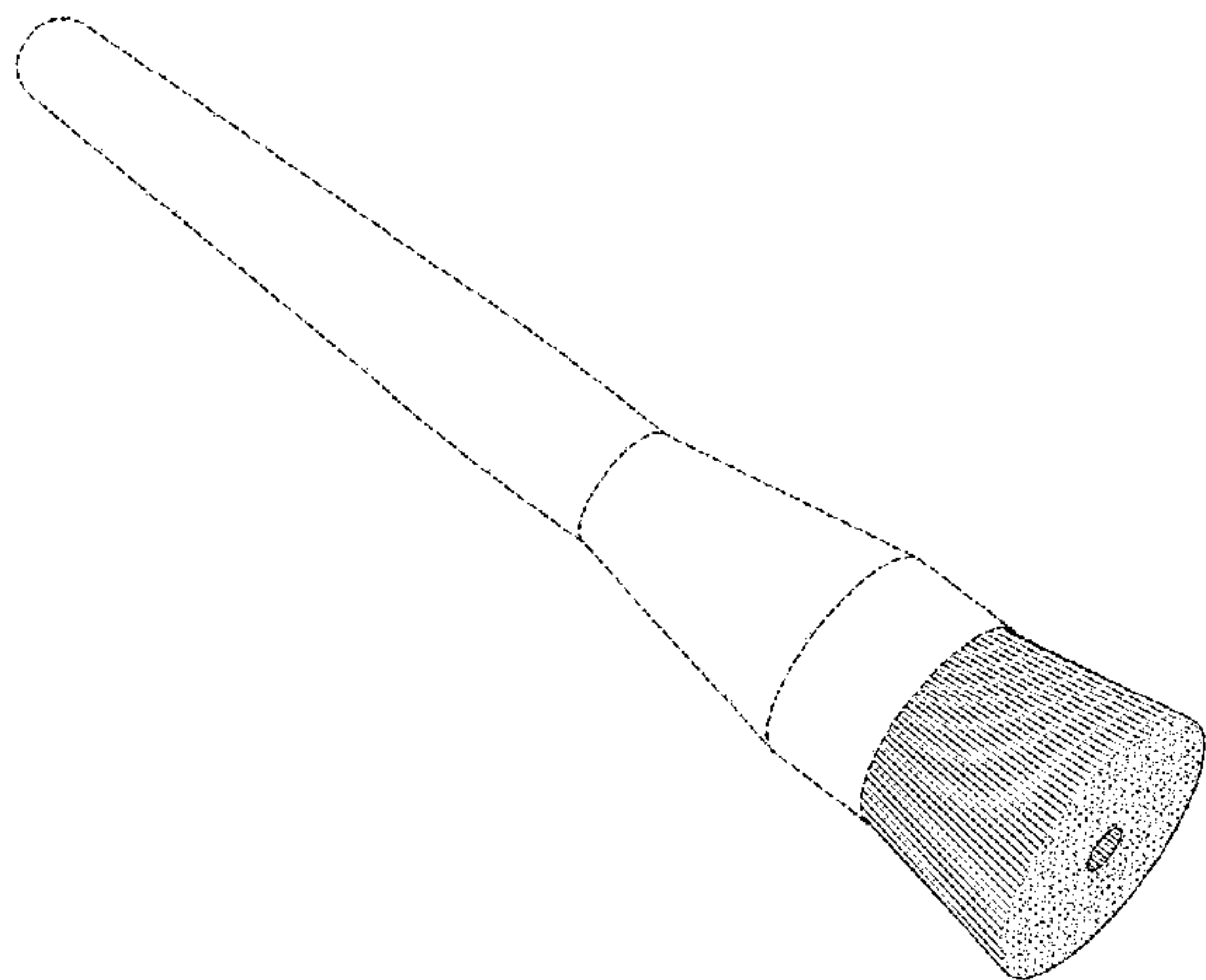
(56) **References Cited**

U.S. PATENT DOCUMENTS

299,144 A \* 5/1884 Huntbatch ..... B05C 17/0355  
401/15  
1,175,705 A 3/1916 Ciai  
3,167,806 A 2/1965 Hogan  
3,495,922 A \* 2/1970 Steinman ..... A46B 11/0017  
401/190  
4,944,625 A 7/1990 Futter et al.  
5,891,063 A \* 4/1999 Vigil ..... A46B 13/02  
15/207.2  
6,161,978 A 12/2000 Dovellos  
6,224,287 B1 5/2001 Gieux

The invention pertains to an ornamental design for a cosmetics brush head with tube. Those features shown in broken lines, including a ferrule, shown in FIGS. 1-5, 7 and 8, and a handle, shown in FIGS. 1-5, 7 and 8, form no part of the claimed design.

**1 Claim, 4 Drawing Sheets**



(56)

References Cited

U.S. PATENT DOCUMENTS

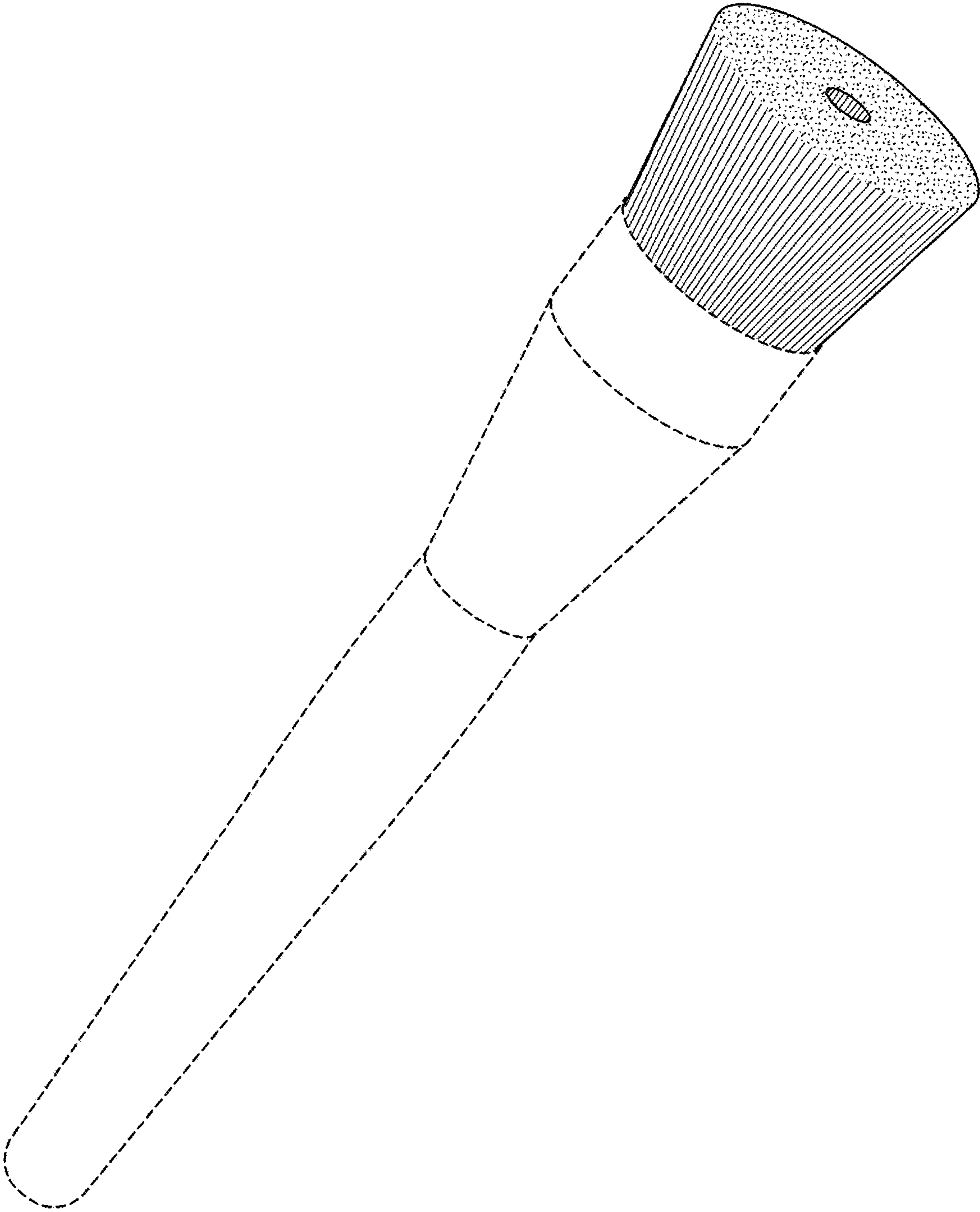
6,363,948 B2 \* 4/2002 Choi ..... A45D 33/02  
132/313  
D480,217 S 10/2003 Mink  
7,101,107 B1 9/2006 Byun  
7,275,885 B2 \* 10/2007 Byun ..... A45D 33/02  
401/278  
7,644,466 B2 1/2010 Weihrauch et al.  
8,104,132 B2 1/2012 Mink  
8,678,693 B2 3/2014 Sturgis et al.  
9,204,704 B1 12/2015 Wolfe  
9,320,349 B2 \* 4/2016 Hwang ..... A46B 5/0012  
D755,526 S \* 5/2016 Ward ..... D4/127  
D781,593 S \* 3/2017 Kaicker ..... D4/128  
9,635,927 B2 5/2017 Godin et al.  
D793,090 S \* 8/2017 Allen ..... D4/127  
9,826,823 B1 \* 11/2017 Velazquez ..... A45D 27/04  
D827,308 S \* 9/2018 Nicoline ..... D4/138  
D834,329 S 11/2018 Hwang  
D836,920 S 1/2019 Richards  
10,182,643 B2 \* 1/2019 Nicoline ..... A46B 9/021  
D840,693 S 2/2019 Hwang  
10,238,202 B2 3/2019 Serposi  
D845,646 S \* 4/2019 Nicoline ..... D4/138  
10,258,140 B2 4/2019 Wilson et al.  
D857,400 S 8/2019 Nicoline  
D893,198 S 8/2020 Kaicker  
10,736,410 B2 8/2020 Kaicker  
D905,968 S 12/2020 Kaicker et al.  
10,856,643 B2 12/2020 Hwang  
D914,369 S 3/2021 Colville Somma  
2002/0014246 A1 2/2002 Choi  
2004/0003478 A1 1/2004 Mink  
2004/0047676 A1 3/2004 Dumler  
2007/0151061 A1 7/2007 Mink  
2007/0177930 A1 8/2007 Byun

2010/0101035 A1 \* 4/2010 Nakamura ..... A45D 33/00  
15/160  
2010/0239358 A1 9/2010 Sturgis et al.  
2011/0020052 A1 1/2011 Kim  
2013/0121752 A1 5/2013 Byun  
2014/0331422 A1 12/2014 Lim  
2018/0153293 A1 6/2018 Dovellos et al.  
2018/0220786 A1 \* 8/2018 Serposi ..... A46B 9/12  
2020/0138168 A1 5/2020 Godin et al.  
2020/0138177 A1 5/2020 Godin et al.

OTHER PUBLICATIONS

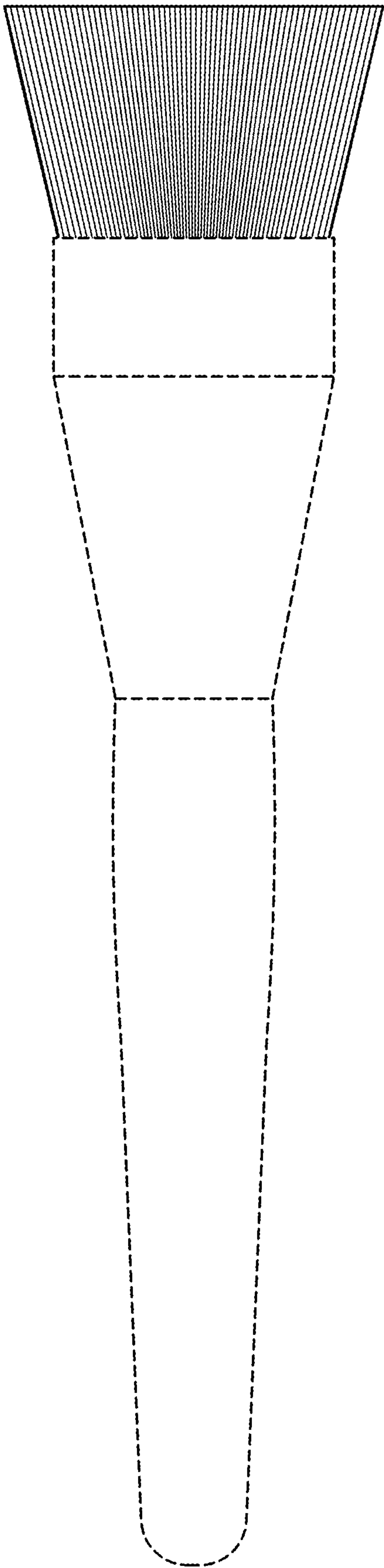
Godin, Salina; International Search Report and Written Opinion for PCT Application No. PCT/US19/58486, filed Oct. 29, 2019, dated Jan. 16, 2020, 8 pgs.  
Godin, Salina; International Search Report and Written Opinion for PCT Application No. PCT/US2019/059114, filed Oct. 31, 2019, dated Jan. 10, 2020, 9 pgs.  
Godin, Sarina; Ex Parte Quayle Action for Design U.S. Appl. No. 29/700,177, filed Jul. 31, 2019, mailed Dec. 22, 2020, 14 pgs.  
Godin, Sarina; Ex Parte Quayle Action for Design U.S. Appl. No. 29/705,618, filed Sep. 13, 2019, mailed Dec. 22, 2020, 13 pgs.  
Godin, Sarina; International Preliminary Report on Patentability for PCT Application No. PCT/US19/58486, filed Oct. 29, 2019, dated May 14, 2021, 7 pgs.  
Godin, Sarina; International Preliminary Report on Patentability for PCT Application No. PCT/US2019/059114, filed Oct. 31, 2019, dated May 14, 2021, 8 pgs.  
Godin, Sarina; Notice of Allowance for U.S. Appl. No. 29/700,177, filed Jul. 31, 2019, dated May 4, 2021, 9 pgs.  
Godin, Sarina; Ex Parte Quayle Action for U.S. Design U.S. Appl. No. 29/706,428, filed Sep. 20, 2019, dated May 11, 2021, 18 pgs.  
Godin, Sarina; Notice of Allowance for U.S. Design U.S. Appl. No. 29/705,618, filed Sep. 13, 2019, dated May 4, 2021, 12 pgs.

\* cited by examiner

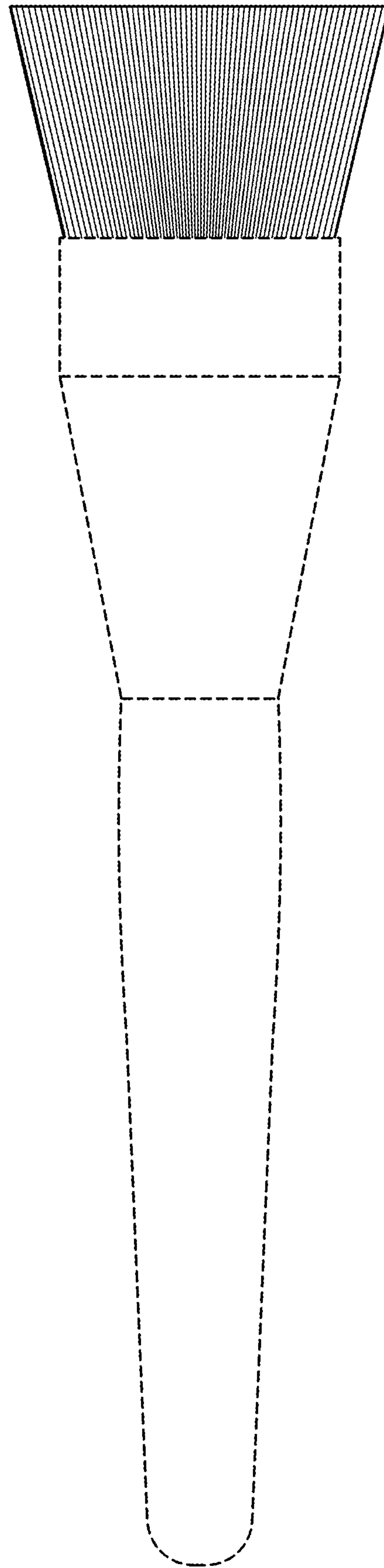


**FIG. 1**

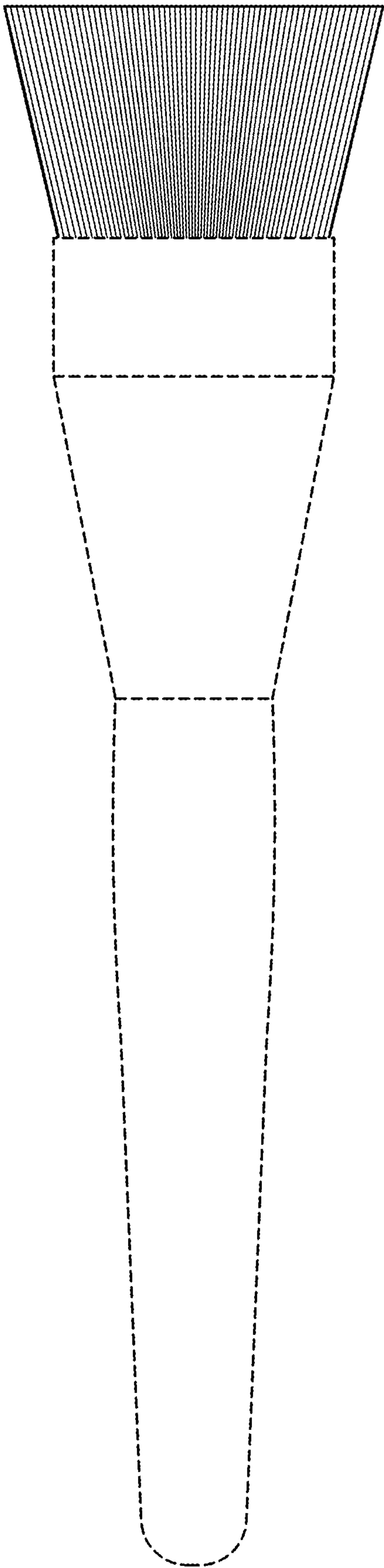




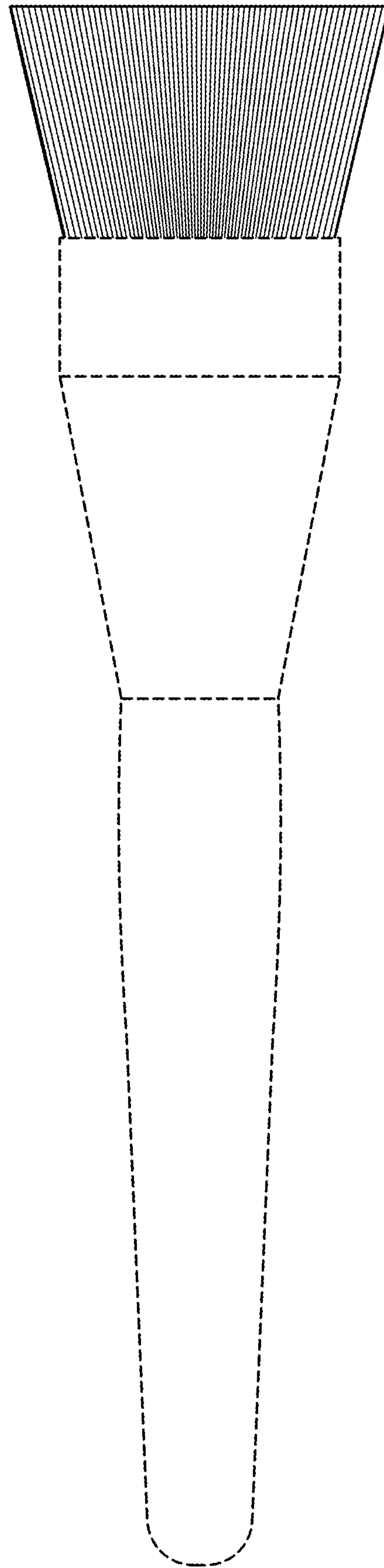
**FIG. 2**



**FIG. 3**



**FIG. 4**



**FIG. 5**

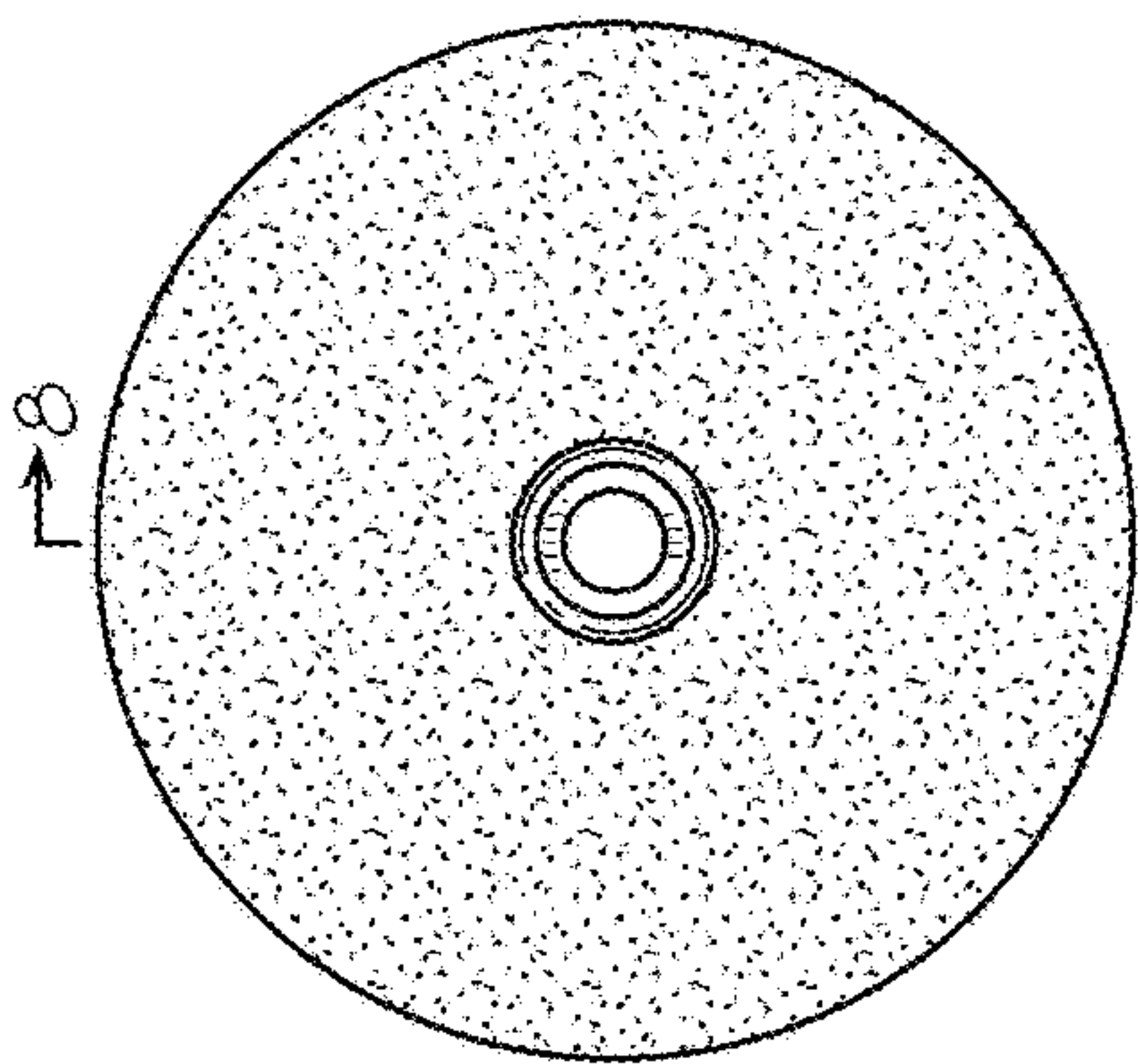


FIG. 6

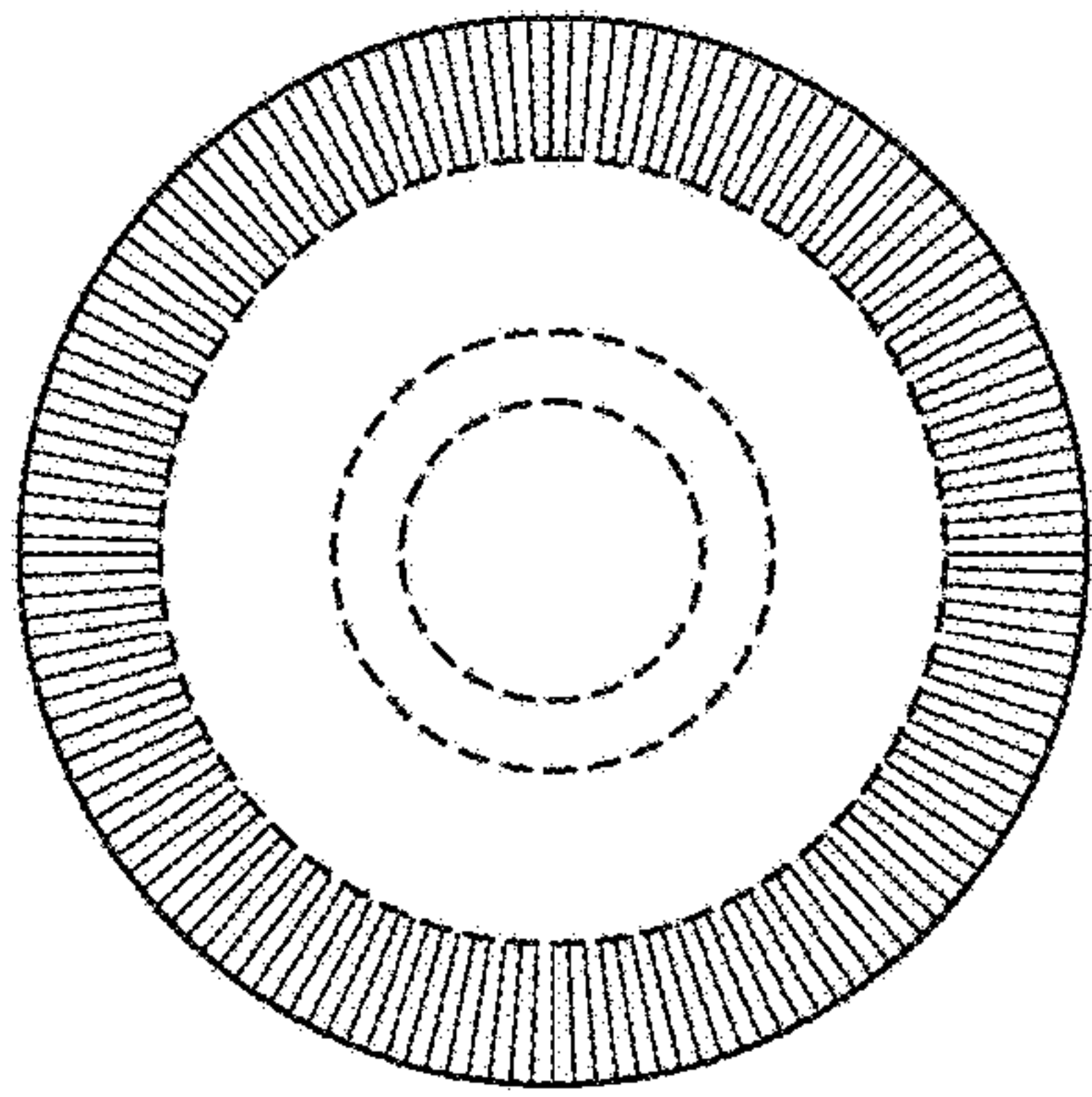


FIG. 7

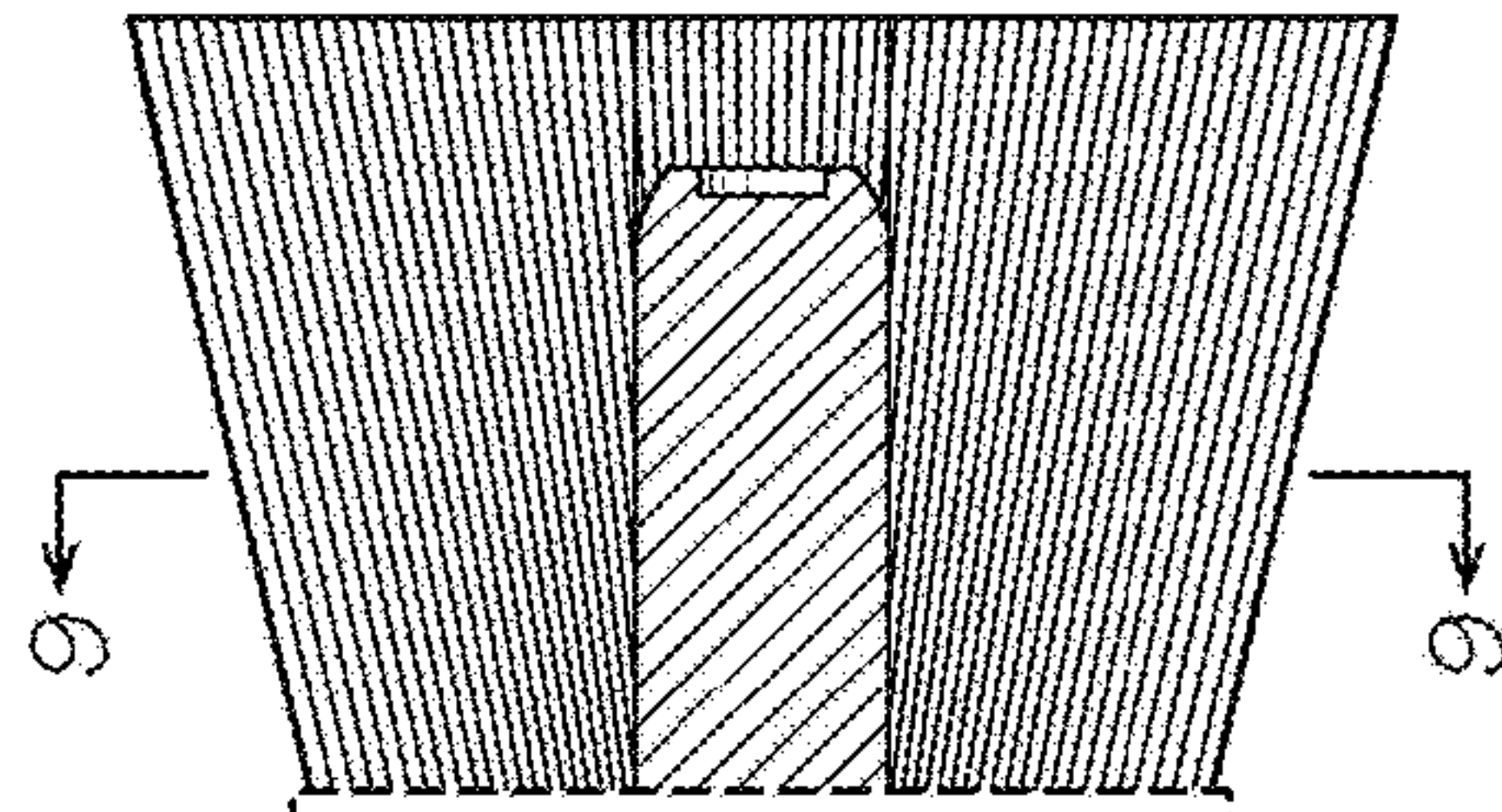


FIG. 8

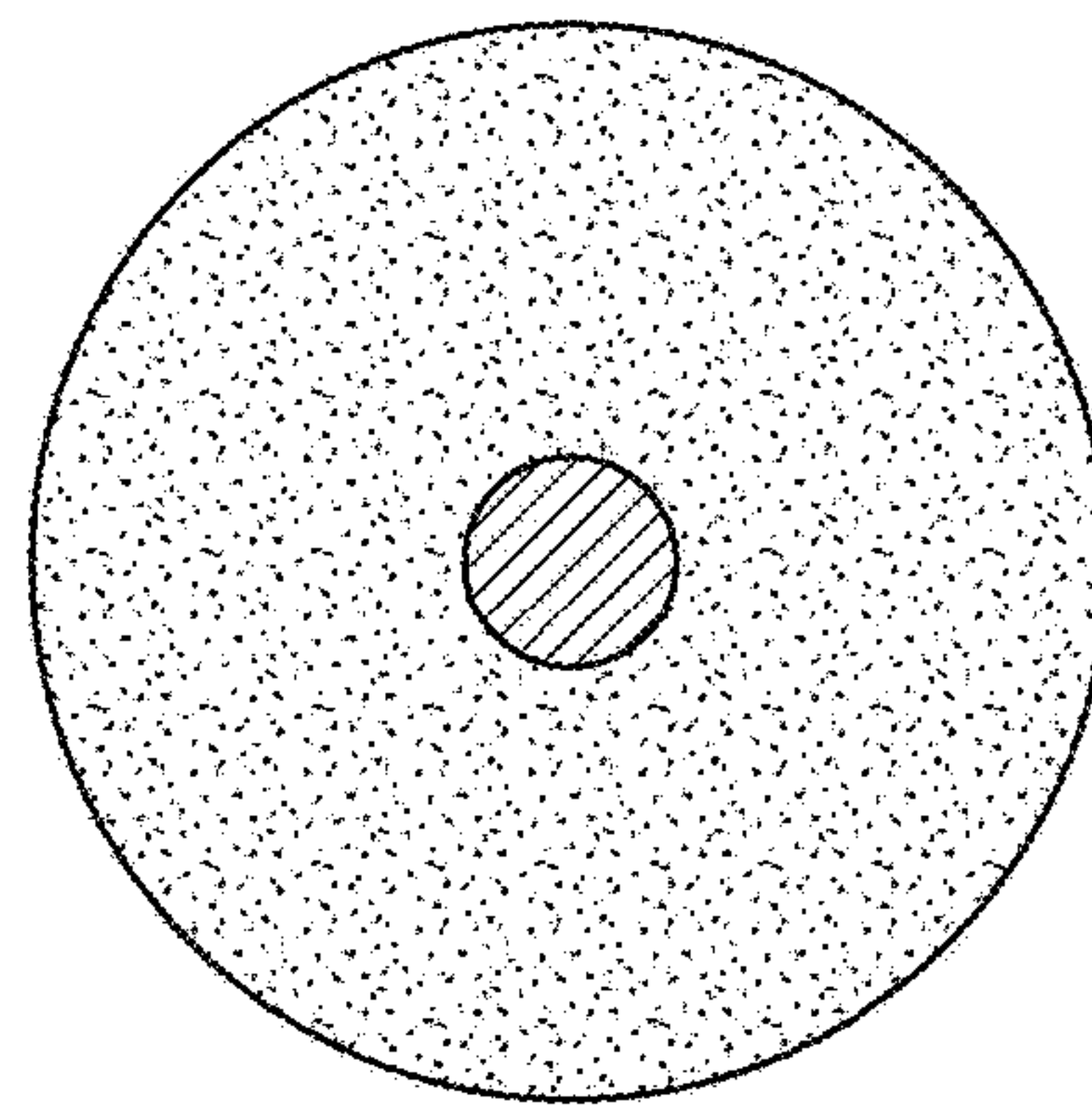


FIG. 9

