



US00D929741S

(12) **United States Design Patent** (10) **Patent No.:** **US D929,741 S**
Zhou (45) **Date of Patent:** **** Sep. 7, 2021**

(54) **BATH BRUSH**
(71) Applicant: **Yufen Zhou**, Puning (CN)
(72) Inventor: **Yufen Zhou**, Puning (CN)
(**) Term: **15 Years**
(21) Appl. No.: **29/768,010**
(22) Filed: **Jan. 27, 2021**
(51) **LOC (13) Cl.** **04-01**
(52) **U.S. Cl.**
USPC **D4/120**
(58) **Field of Classification Search**
USPC D4/120, 119, 106, 132, 115, 121, 138,
D4/114; D32/42; D30/158; D24/211;
D28/63
CPC A46B 15/0055; A46B 9/02; A46B 9/04;
A46B 13/008; E03C 1/0409
See application file for complete search history.

D542,541 S * 5/2007 Lowsky, Jr. D4/106
D558,456 S 1/2008 Bingaman
7,437,792 B2 * 10/2008 Pelo A46B 15/0055
15/105
D616,649 S * 6/2010 Lin D4/120
D620,202 S 7/2010 Chen
D631,667 S 2/2011 Lin
D734,038 S * 7/2015 Suher D4/120
D789,635 S * 6/2017 Couser D32/42
D792,672 S * 7/2017 DeSanti D32/42
D838,994 S * 1/2019 Suh D4/119
10,221,546 B2 * 3/2019 Mercieca E03C 1/0409
D850,117 S * 6/2019 Suh D4/119

(Continued)

OTHER PUBLICATIONS

“Metene Shower Brush . . . ” reference dated Jul. 8, 2019 found on the internet by RMS at: “https://www.amazon.com/gp/product/B07QKH9GYV/ref=ask_ql_qh_dp_hza”.*

(Continued)

Primary Examiner — Rhea Shields

(74) *Attorney, Agent, or Firm* — Rumit Ranjit Kanakia

(56) **References Cited**

U.S. PATENT DOCUMENTS

D136,599 S * 11/1943 Yoshikawa, I D4/121
D206,792 S * 1/1967 Halberstadt D4/120
4,888,844 A * 12/1989 Maggs A46B 9/04
15/106
D334,049 S * 3/1993 Klose D23/223
6,170,108 B1 * 1/2001 Knight A46B 13/008
15/29
D465,613 S * 11/2002 Pierce D28/63
D466,695 S * 12/2002 Chen D24/211
6,499,174 B2 * 12/2002 Henrie A46B 9/02
15/106
D469,259 S 1/2003 Vosbikian
D471,365 S * 3/2003 Henrie D4/120
D484,314 S * 12/2003 DiGioia D4/115
D509,032 S * 8/2005 Dunn D30/158
D512,225 S * 12/2005 Chien D4/120
D523,642 S * 6/2006 Hollinger D4/114
D524,545 S * 7/2006 Hinnant D4/114

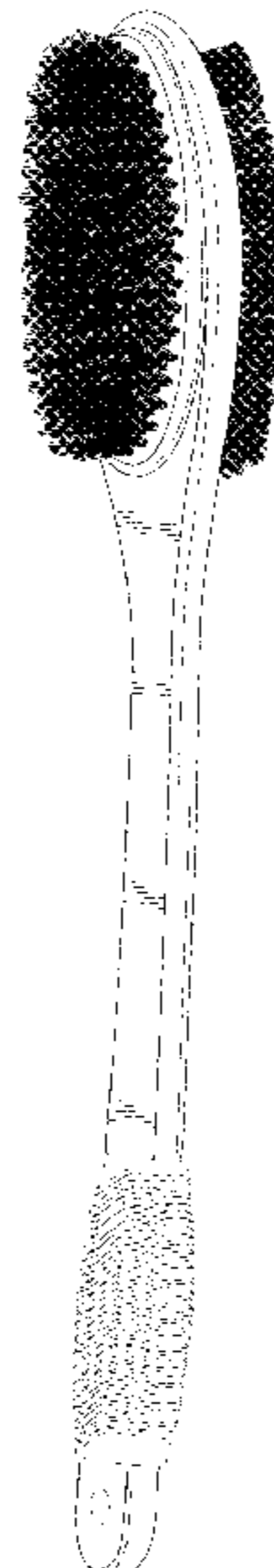
(57) **CLAIM**

I claim the ornamental design for a bath brush, as shown and described.

DESCRIPTION

FIG. 1 is a Perspective view of a bath brush showing my new design;
FIG. 2 is a Front view thereof;
FIG. 3 is a Back view thereof;
FIG. 4 is a Right-side view thereof;
FIG. 5 is a Left-side view thereof;
FIG. 6 is a Top view thereof; and,
FIG. 7 is a Bottom view thereof.
The broken lines in the drawings depict portions of the bath brush that form no part of the claimed design.

1 Claim, 6 Drawing Sheets



(56)

References Cited

U.S. PATENT DOCUMENTS

D869,850 S 12/2019 Luo et al.
D878,058 S * 3/2020 Luo D4/132
D903,328 S * 12/2020 Luo D4/119
D920,681 S * 6/2021 Pawluskiewicz D4/138

OTHER PUBLICATIONS

https://www.amazon.com/-/zh/dp/B08CBXDW92/ref=zg_bs_11056501_14?_encoding=UTF8&psc=1&refRID=P7Q44VDSSF8TS5B9G97P; Jul. 3, 2020.

* cited by examiner

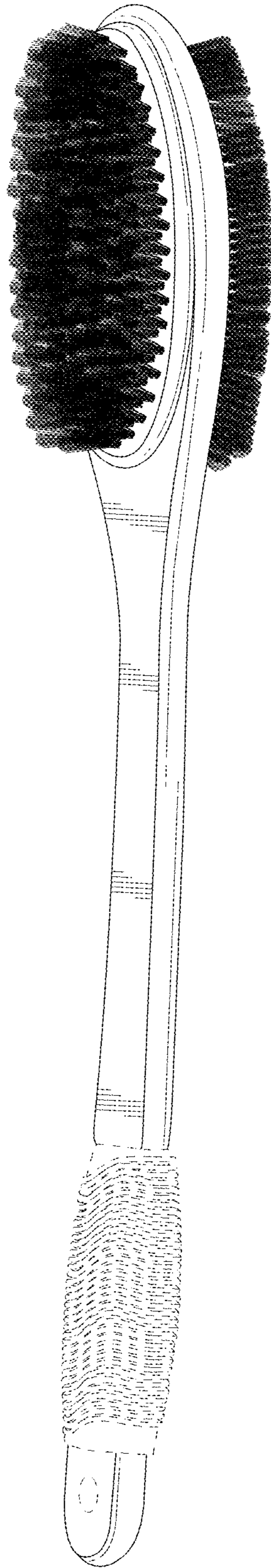


FIG. 1

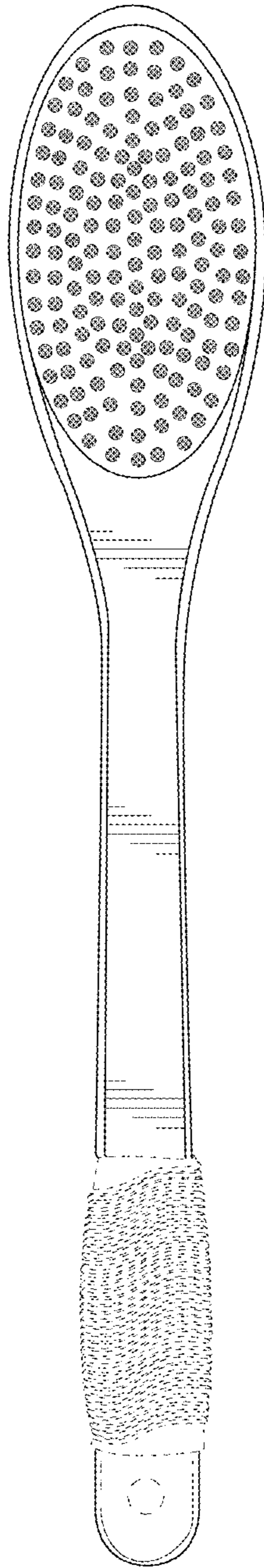


FIG. 2

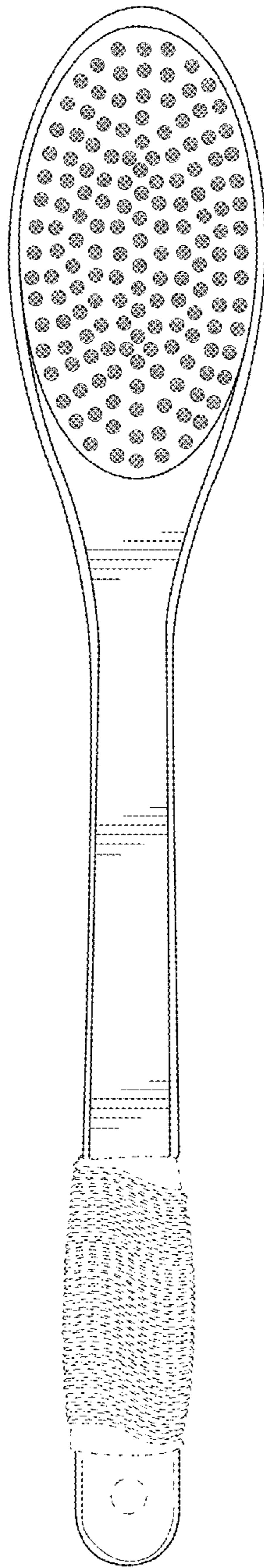


FIG. 3

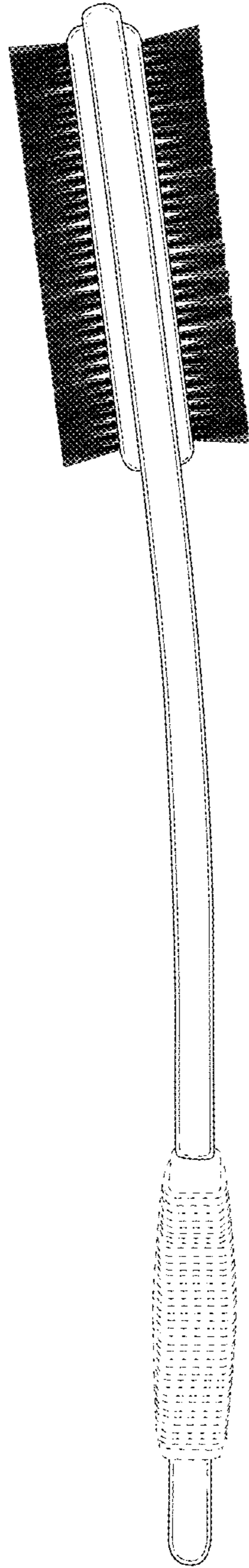


FIG. 4

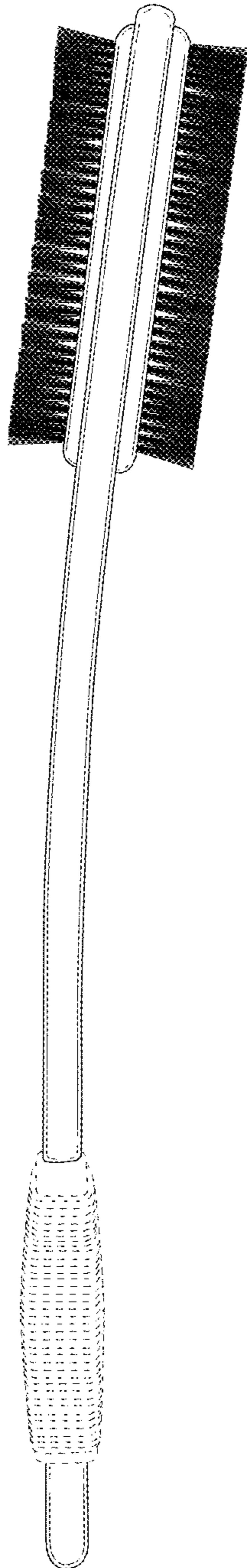


FIG. 5

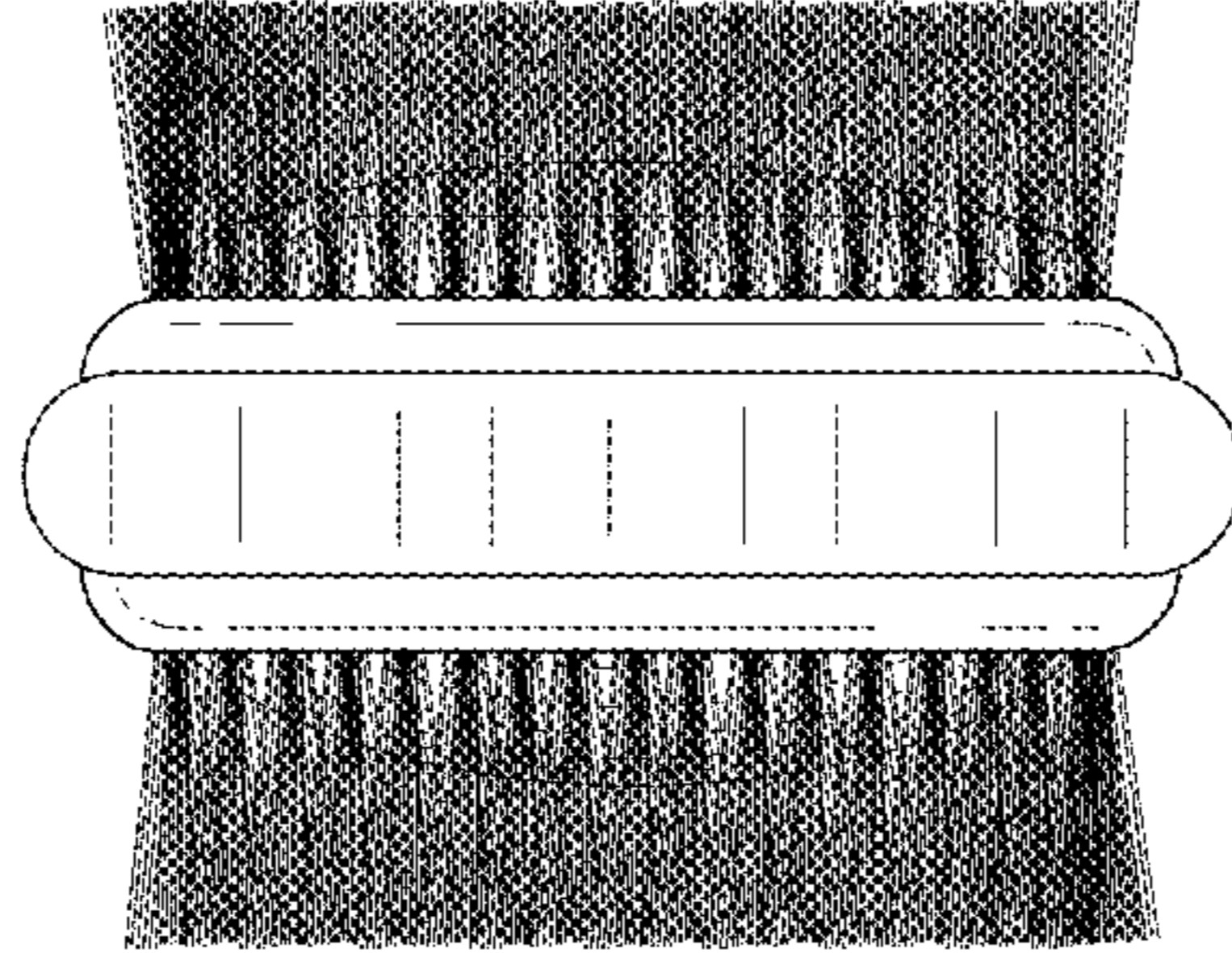


FIG. 6

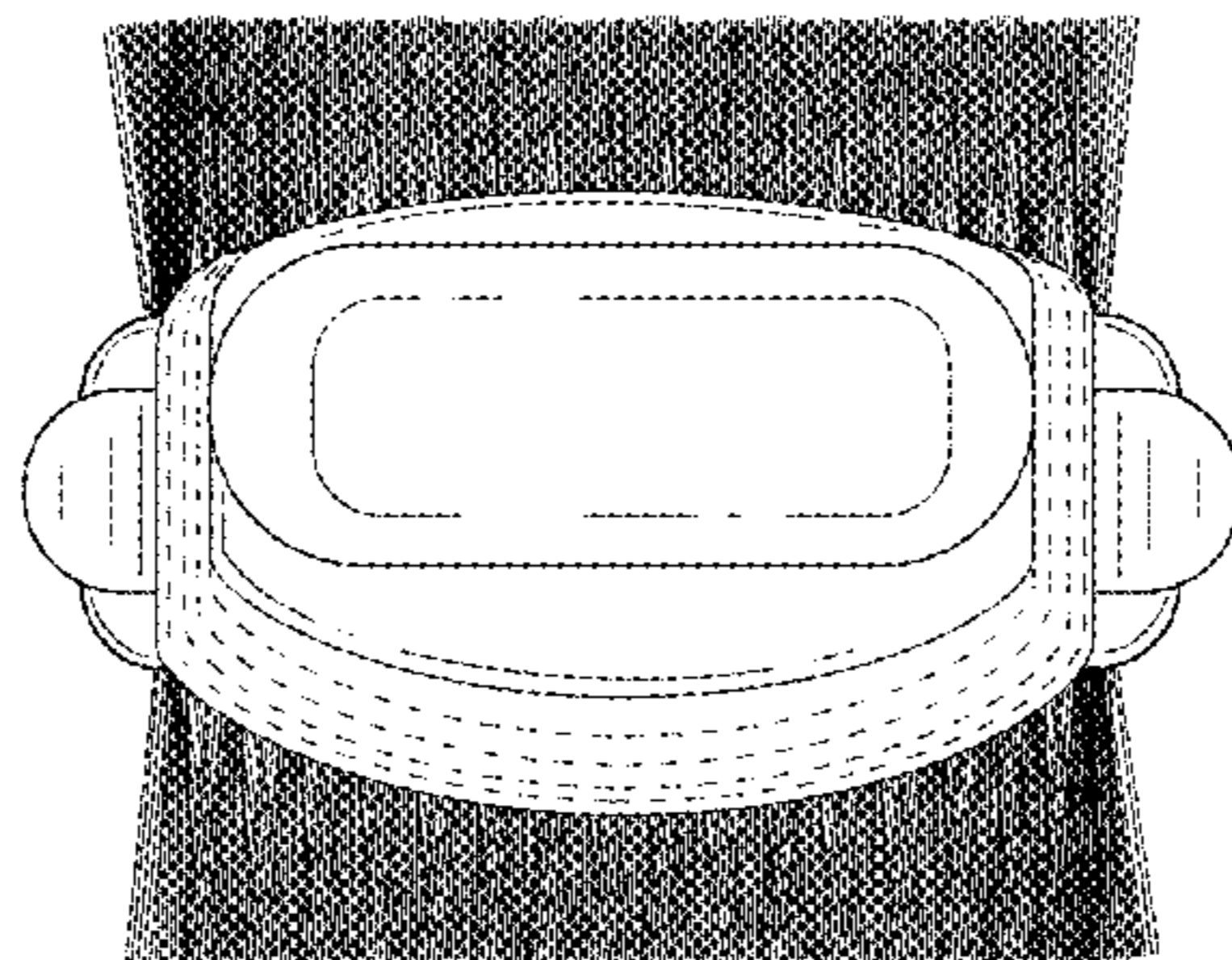


FIG. 7