



US00D929740S

(12) **United States Design Patent** (10) **Patent No.:** **US D929,740 S**  
**Lupberger et al.** (45) **Date of Patent:** **\*\* Sep. 7, 2021**

(54) **CLEANING TABLETS CONTAINER**

(71) Applicant: **Bocks Inc.**, New York, NY (US)  
(72) Inventors: **Ryan Lupberger**, New York, NY (US);  
**Zachary Bedrosian**, New York, NY (US); **Sina Sohrab**, New York, NY (US); **Joseph Guerra**, New York, NY (US)

(73) Assignee: **Bocks, Inc.**, New York, NY (US)

(\*\*) Term: **15 Years**

(21) Appl. No.: **29/732,301**

(22) Filed: **Apr. 23, 2020**

(51) **LOC (13) Cl.** ..... **03-01**

(52) **U.S. Cl.**  
USPC ..... **D3/304**

(58) **Field of Classification Search**  
USPC ..... D3/206, 273, 276, 283–284, 293,  
D3/304–315, 318–319, 321, 901, 903;  
D6/513–514, 524, 672, 683, 683.1;  
D7/602, 701, 704; D9/737, 424, 456;  
D19/75, 81, 83–86, 90–92, 102, 107;  
D28/73, 76; D32/29.1, 35, 55, 58  
CPC ..... A45C 11/20; A45F 2200/05; A45F  
2200/0575; A47B 55/00; A47B 55/02;  
A47F 5/00; A47F 5/005; A47F 5/0025;  
A47F 5/01; A47F 5/05; A47F 5/13; A47F  
5/14; A47F 7/00; A47F 7/0071; A47F  
7/0078; A47F 7/02; A47G 19/02; A47G  
19/025; A47G 21/14; A47G 23/06; A47G  
29/08; A47J 27/16; A47J 47/00; A47J  
47/01; A47J 47/16; B25H 3/006; B65D  
1/00; B65D 1/0223; B65D 1/22; B65D  
1/24; B65D 1/26; B65D 1/34; B65D  
1/36; B65D 1/38; B65D 1/40; B65D  
7/14; B65D 7/20; B65D 21/00; B65D  
21/0209; B65D 21/0211; B65D 21/0233;  
B65D 25/04;

(Continued)

(56) **References Cited**

U.S. PATENT DOCUMENTS

D145,212 S 7/1946 Havens  
D150,045 S 6/1948 Zaikaner  
(Continued)

OTHER PUBLICATIONS

Cleancult Dishwasher Tablets . . . , first available Oct. 30, 2019, amazon.com [online], [site visited Jun. 10, 2021], Available at internet URL: [https://www.amazon.com/dp/B07Z4DW3YT/ref=olp\\_aod\\_redir\\_impl1?\\_encoding=UTF8&aod=1](https://www.amazon.com/dp/B07Z4DW3YT/ref=olp_aod_redir_impl1?_encoding=UTF8&aod=1) (Year: 2019).\*

(Continued)

*Primary Examiner* — Jeffrey D Asch

*Assistant Examiner* — Caitlin A Laverty

(74) *Attorney, Agent, or Firm* — Ignacio Bellver

(57) **CLAIM**

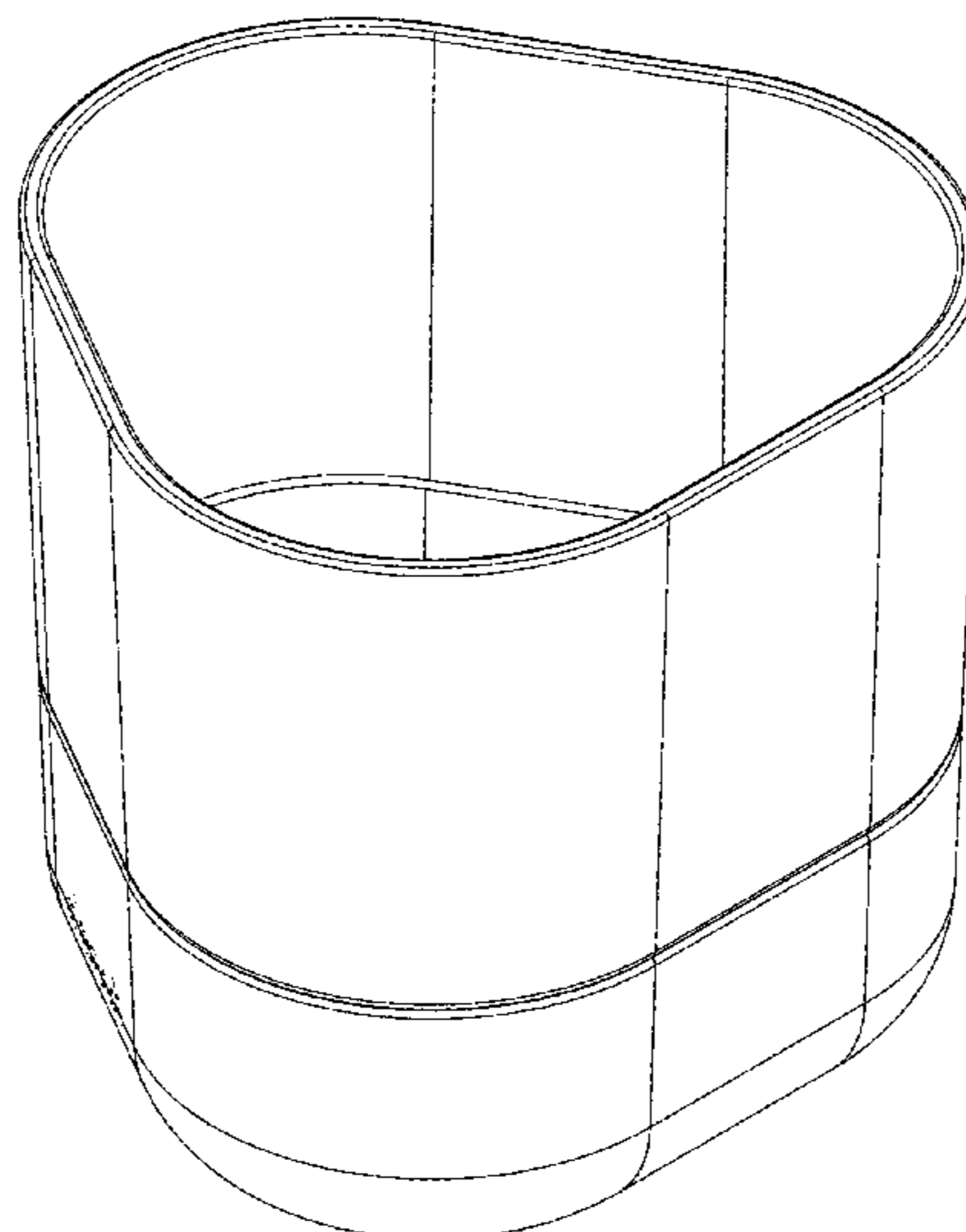
The ornamental design for a cleaning tablets container, as shown and described.

**DESCRIPTION**

FIG. 1 is a top right perspective view of a cleaning tablets container showing the new design; FIG. 2 is a front side view thereof; FIG. 3 is a left side view thereof; FIG. 4 is a right side view thereof; FIG. 5 is a top plan view thereof; FIG. 6 is a cross sectional view of the cleaning tablets container, taken along lines 6-6 of FIG. 5; FIG. 7 is a bottom left perspective view thereof; and, FIG. 8 is a bottom plan view of our cleaning tablets container design.

The broken lines depict portions of the article that form no part of the claimed design. The “cleancult” logo forming part of the disclosure is a registered trademark of Bocks Inc., dba cleancult.

**1 Claim, 8 Drawing Sheets**



(58) **Field of Classification Search**  
 CPC B65D 25/22; B65D 2581/34; B65D 81/3453;  
       B65D 81/3813; B65D 85/50; B65D  
       85/505; B65D 85/52  
 See application file for complete search history.

(56) **References Cited**

U.S. PATENT DOCUMENTS

D159,811 S	8/1950	Hill	
D279,251 S	6/1985	Daenen	
D362,180 S	9/1995	Haines	
D387,982 S	12/1997	Kaplan	
D403,578 S	1/1999	Paul	
D424,378 S *	5/2000	Bacon .....	D7/602
D482,934 S *	12/2003	Liu .....	D7/602
D529,661 S *	10/2006	Schmidt .....	D28/73
D538,992 S *	3/2007	Snell .....	D19/85
D604,174 S	11/2009	Rica	
D647,569 S *	10/2011	Yuan .....	D19/92
D651,248 S *	12/2011	Yuan .....	D19/85
D696,558 S	12/2013	Song	
D696,560 S	12/2013	Song	
D710,652 S *	8/2014	Marzotto .....	D7/603
D734,550 S	7/2015	Schlatter	
D736,620 S	8/2015	Markle	
D742,224 S	11/2015	Thurin	

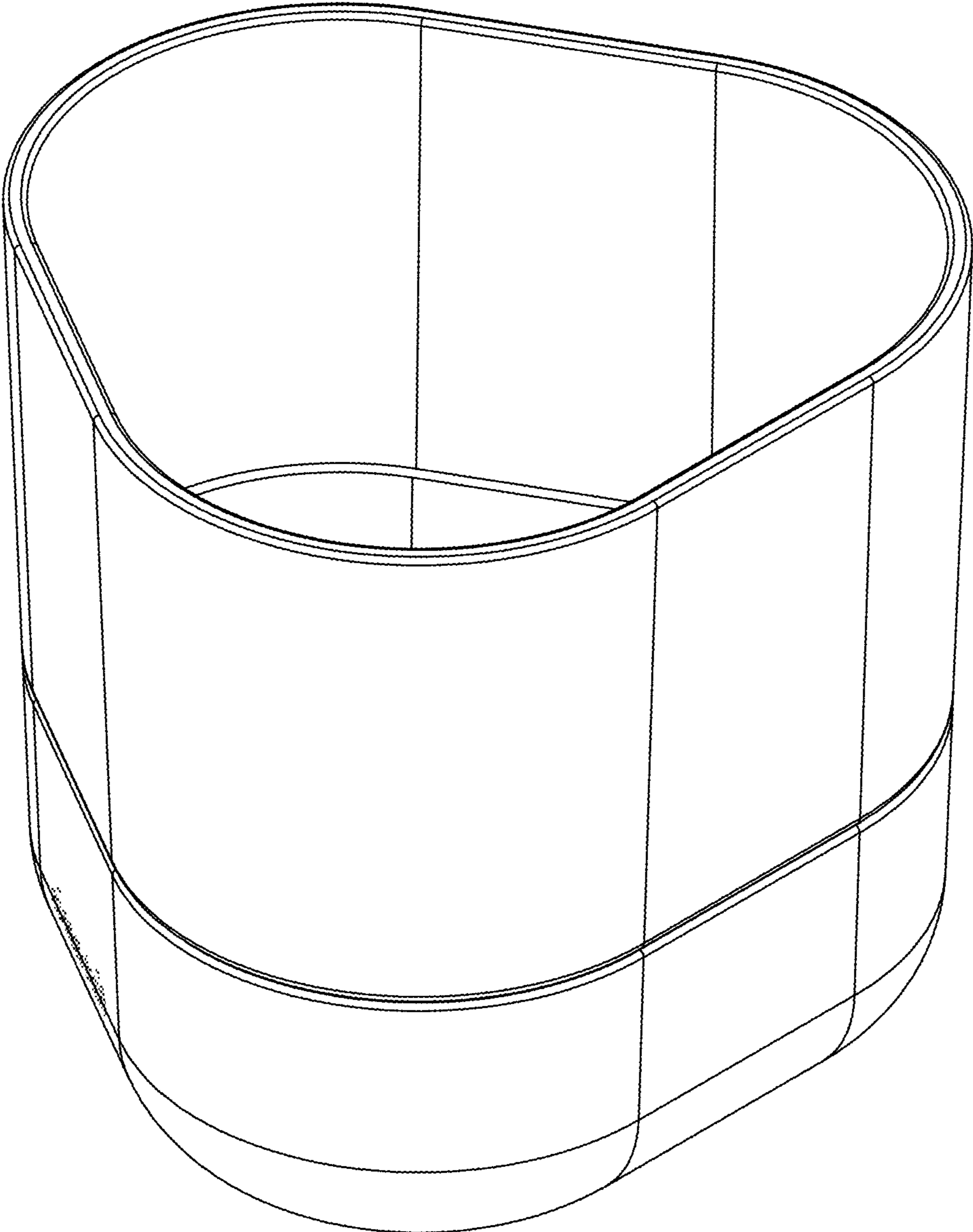
9,240,093 B2	1/2016	Yuyama	
D750,423 S	3/2016	Shirley	
D762,386 S *	8/2016	Sakaguchi .....	D3/304
D790,335 S	6/2017	Honings	
D814,883 S	4/2018	Day	
D821,822 S	7/2018	Brown	
D834,377 S	11/2018	Zoske	
D839,053 S *	1/2019	Huang .....	D7/602
D859,084 S	9/2019	Lee	
D865,529 S	11/2019	Tidwell	
D868,549 S	12/2019	Feng	
D878,165 S	3/2020	Pentelovitch	
D878,913 S	3/2020	Castellano	
D905,548 S *	12/2020	Henry .....	D9/425
D907,444 S *	1/2021	Huang .....	D7/587
2012/0325813 A1 *	12/2012	Cheetham .....	B65D 39/16 220/212.5

OTHER PUBLICATIONS

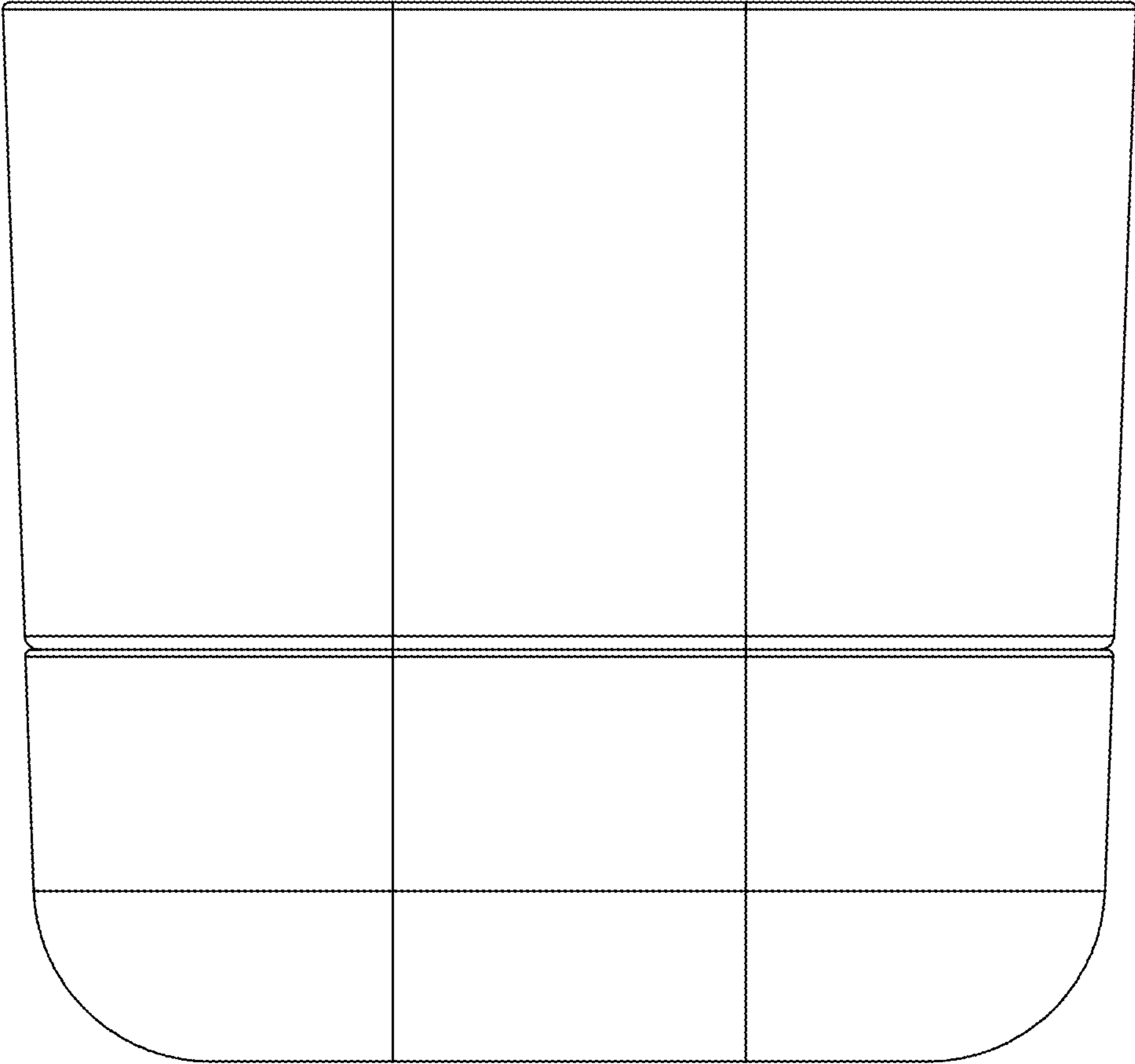
Sony Plastics Multicolor Plastic Triangle Detachable-PS-04, unknown first available date, indiamart.com [online], [site visited Jun. 10, 2021], Available at internet URL: <https://www.indiamart.com/proddetail/plastic-triangle-detachable-ps-04-21394539297.html> (Year: 2021).\*

\* cited by examiner

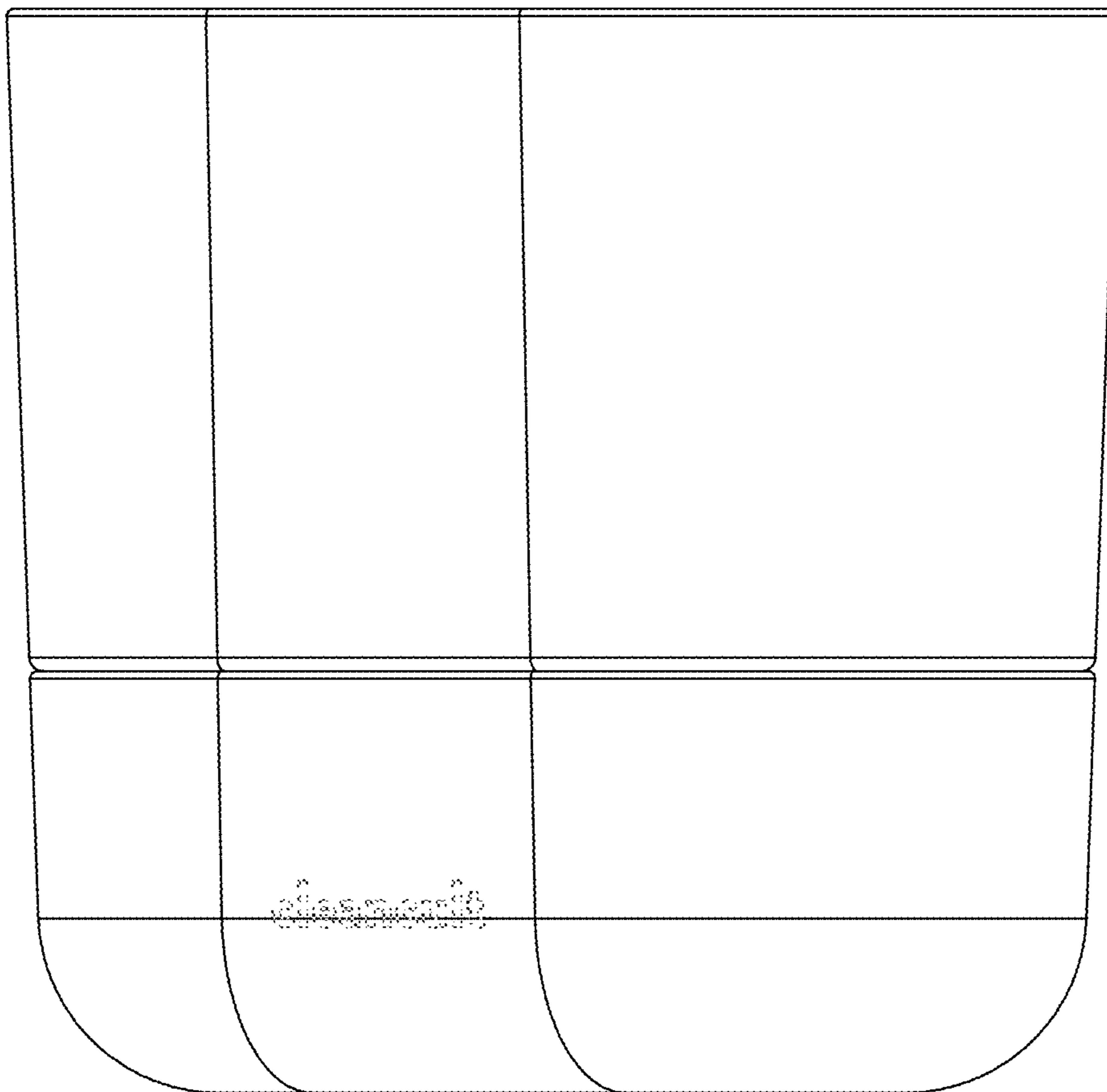
**FIG. 1**



**FIG. 2**



**FIG. 3**



**FIG. 4**

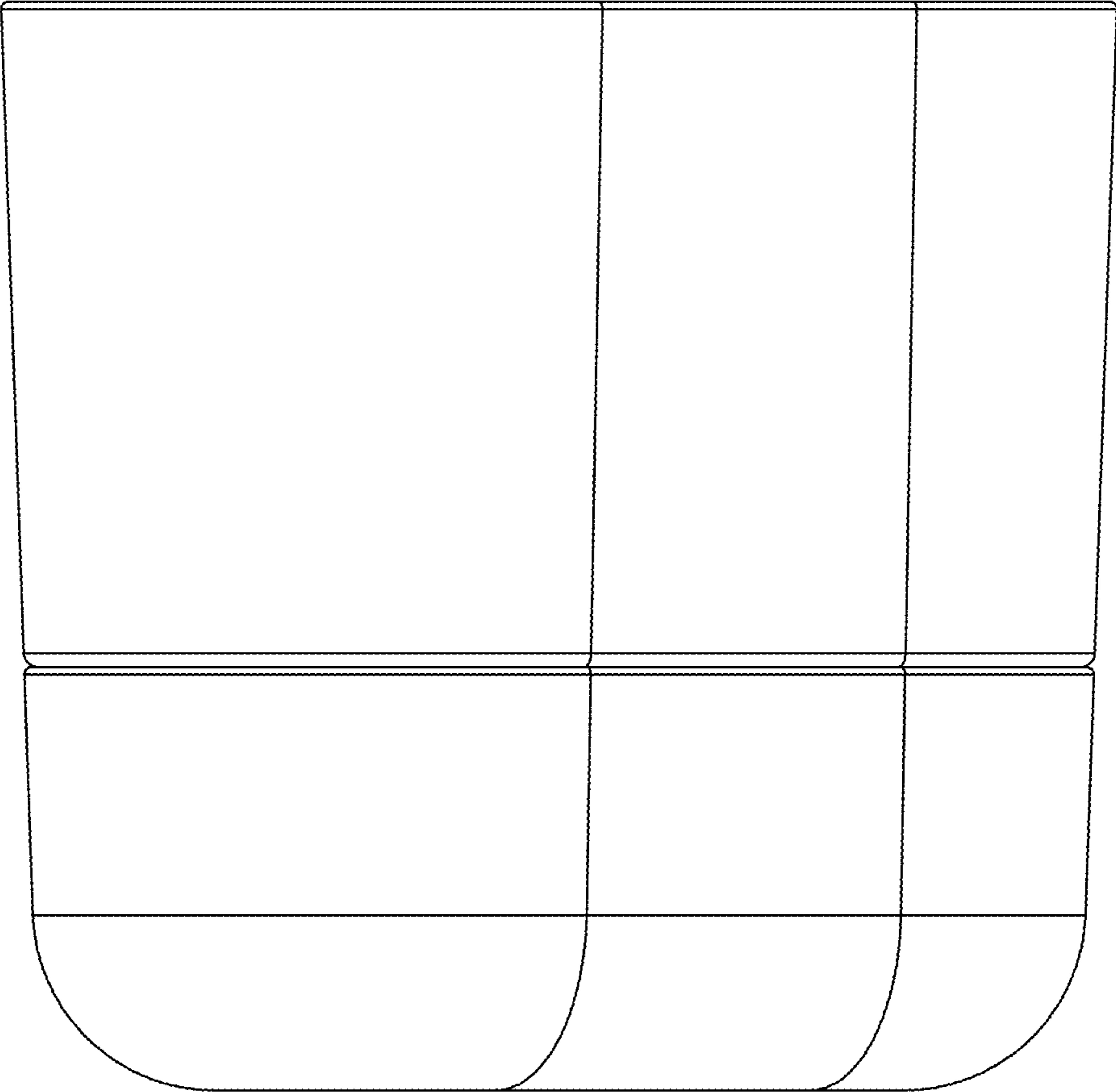
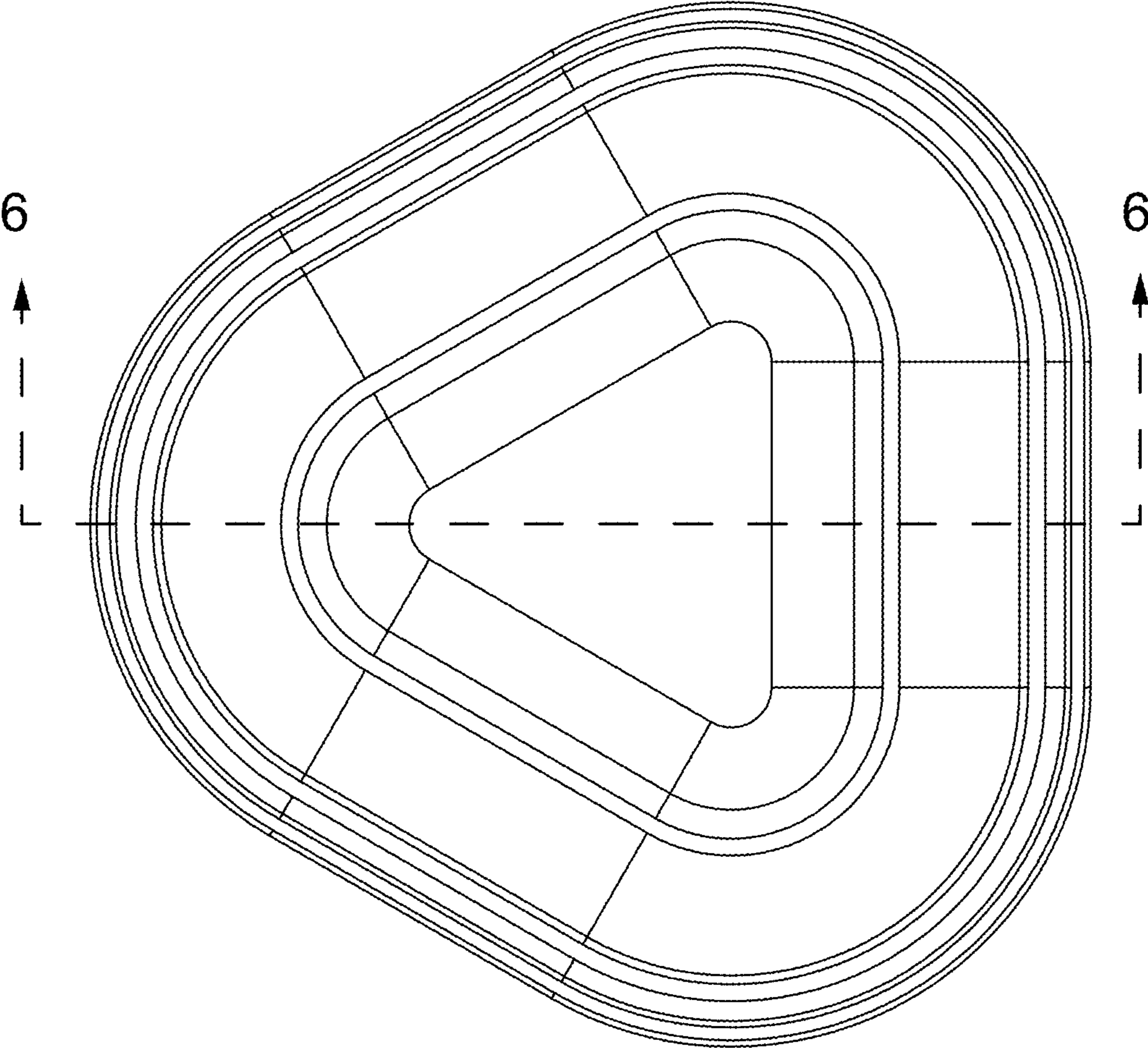
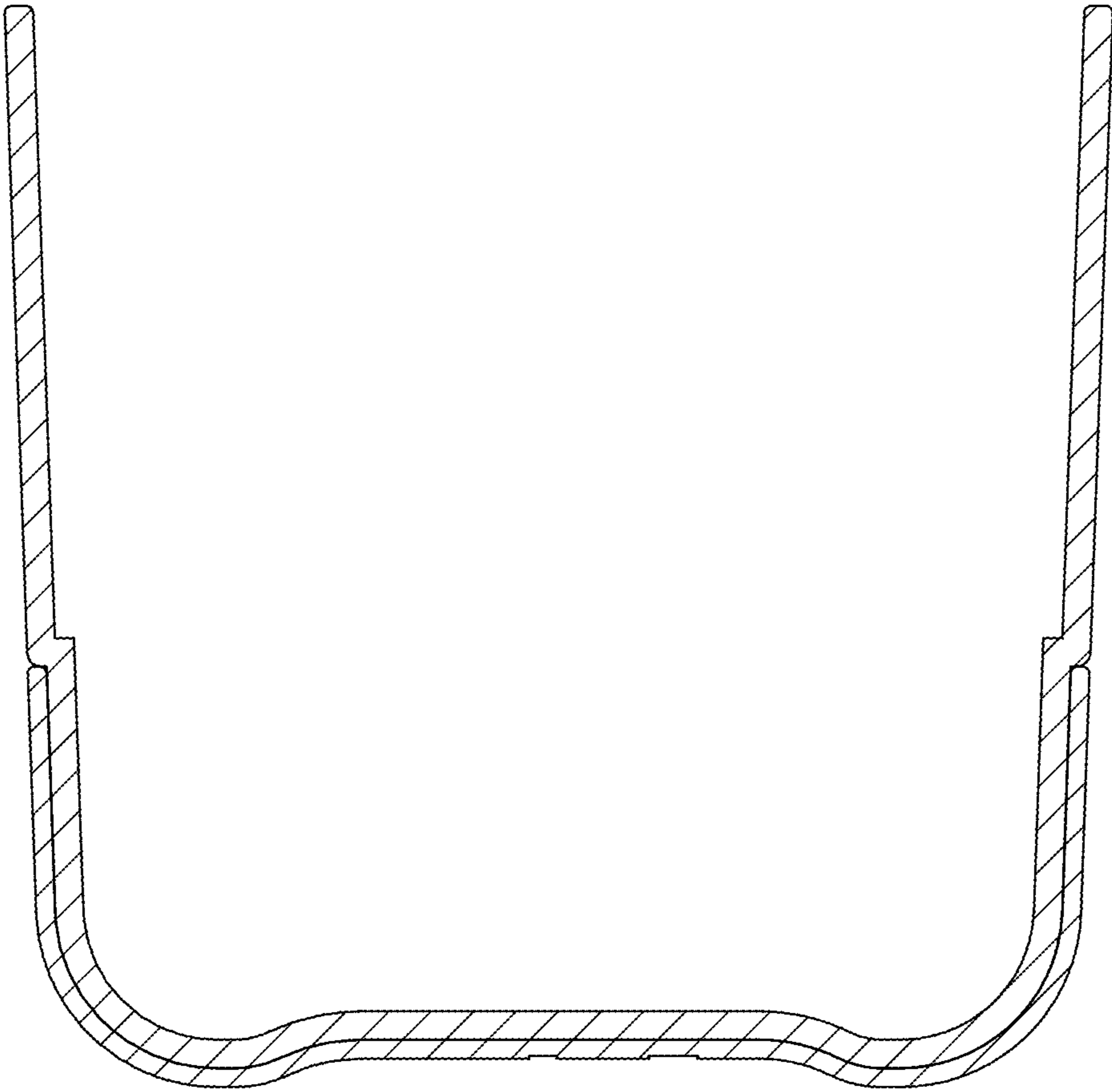


FIG. 5

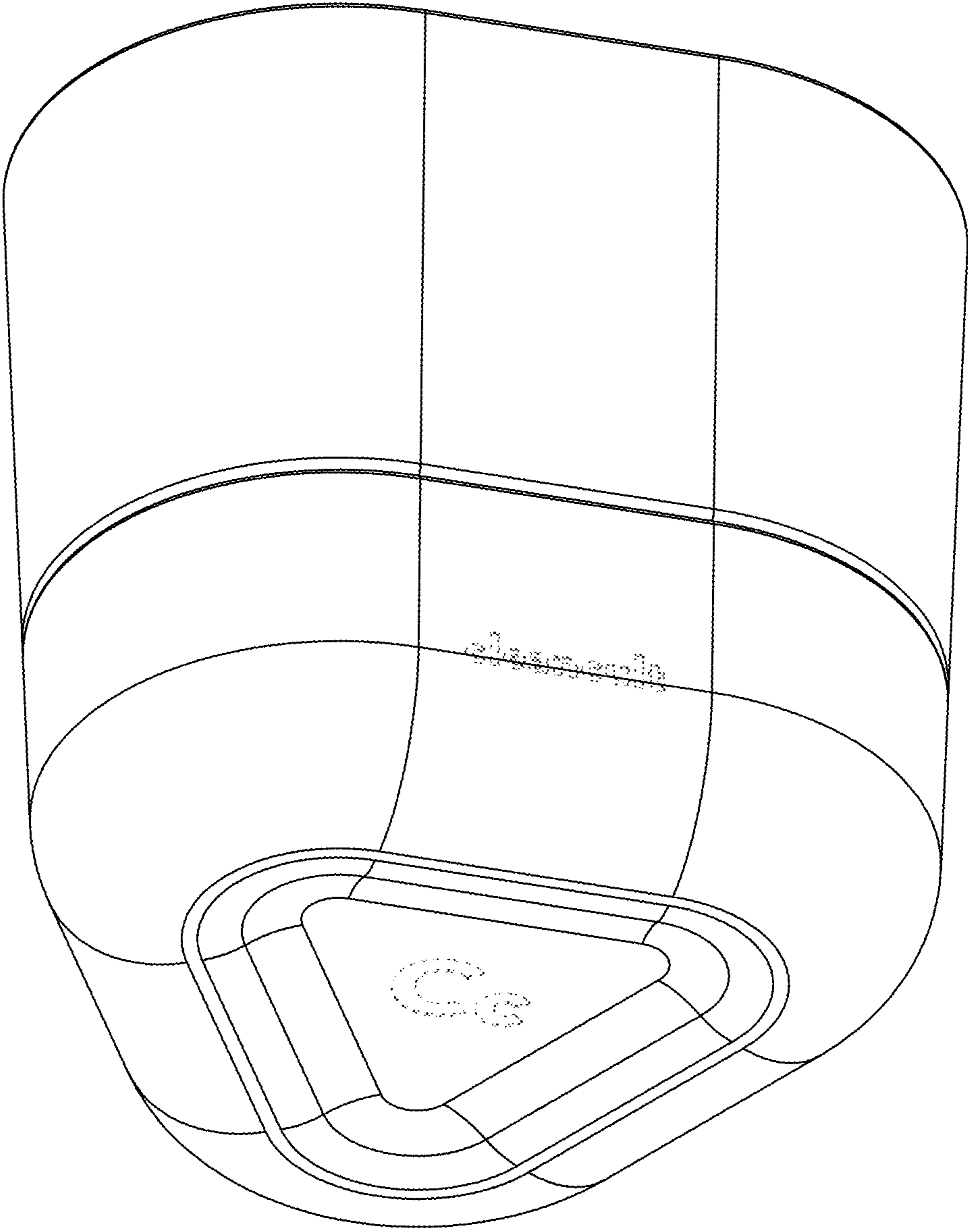


**FIG. 6**





**FIG. 7**



**FIG. 8**

