



US00D929739S

(12) **United States Design Patent** (10) **Patent No.:** **US D929,739 S**
Cruice et al. (45) **Date of Patent:** **** Sep. 7, 2021**

(54) **TRAVEL POUCH FOR A DEVICE**

FOREIGN PATENT DOCUMENTS

(71) Applicant: **Nicoventures Trading Limited**,
London (GB)

CN 301525690 * 4/2011
DE 4020171007120007 S 1/2018

(Continued)

(72) Inventors: **Anthony Cruice**, London (GB);
Ainsley Cox, London (GB)

OTHER PUBLICATIONS

(73) Assignee: **Nicoventures Trading Limited**,
London (GB)

Mini Envelope Wallet, unknown first available date,
portlandleathergoods.com [online], [site visited Jan. 12, 2021],
Available at internet URL: <https://www.portlandleathergoods.com/collections/mens-leather-wallets/products/mini-envelope-wallet?variant=29693133717586> (Year: 2021).*

(**) Term: **15 Years**

(Continued)

(21) Appl. No.: **29/718,104**

(22) Filed: **Dec. 20, 2019**

Primary Examiner — Jeffrey D Asch
Assistant Examiner — Caitlin Ann Laverty

(30) **Foreign Application Priority Data**

(74) *Attorney, Agent, or Firm* — Patterson Thuent
Pedersen, P.A.

Jun. 21, 2019 (EM) 006590733
Aug. 8, 2019 (EM) 006691721

(51) **LOC (13) Cl.** **03-01**

(57) **CLAIM**

(52) **U.S. Cl.**

We claim the ornamental design for a travel pouch for a
device, as shown.

USPC **D3/303; D27/189**

DESCRIPTION

(58) **Field of Classification Search**

USPC D3/203.1–203.3, 203.6, 205, 206, 226,
D3/227, 230, 232, 242, 243, 245–247,
D3/249–251, 253, 258, 267, 268,
D3/273–276, 283–291, 294, 295,
D3/299–301, 303, 900, 901, 903;
D7/602, 605, 607, 701, 703, 709;
D9/701, 707, 709; D19/102, 106;

(Continued)

FIG. 1 is a top perspective view of a travel pouch for a
device.
FIG. 2 is a front elevational view of the travel pouch for a
device depicted in FIG. 1.
FIG. 3 is a rear elevational view of the travel pouch for a
device depicted in FIG. 1.
FIG. 4 is a left side elevational view of the travel pouch for
a device depicted in FIG. 1.
FIG. 5 is a right side elevational view of the travel pouch for
a device depicted in FIG. 1.
FIG. 6 is a top plan view of the travel pouch for a device
depicted in FIG. 1; and,
FIG. 7 is a bottom plan view of the travel pouch for a device
depicted in FIG. 1.

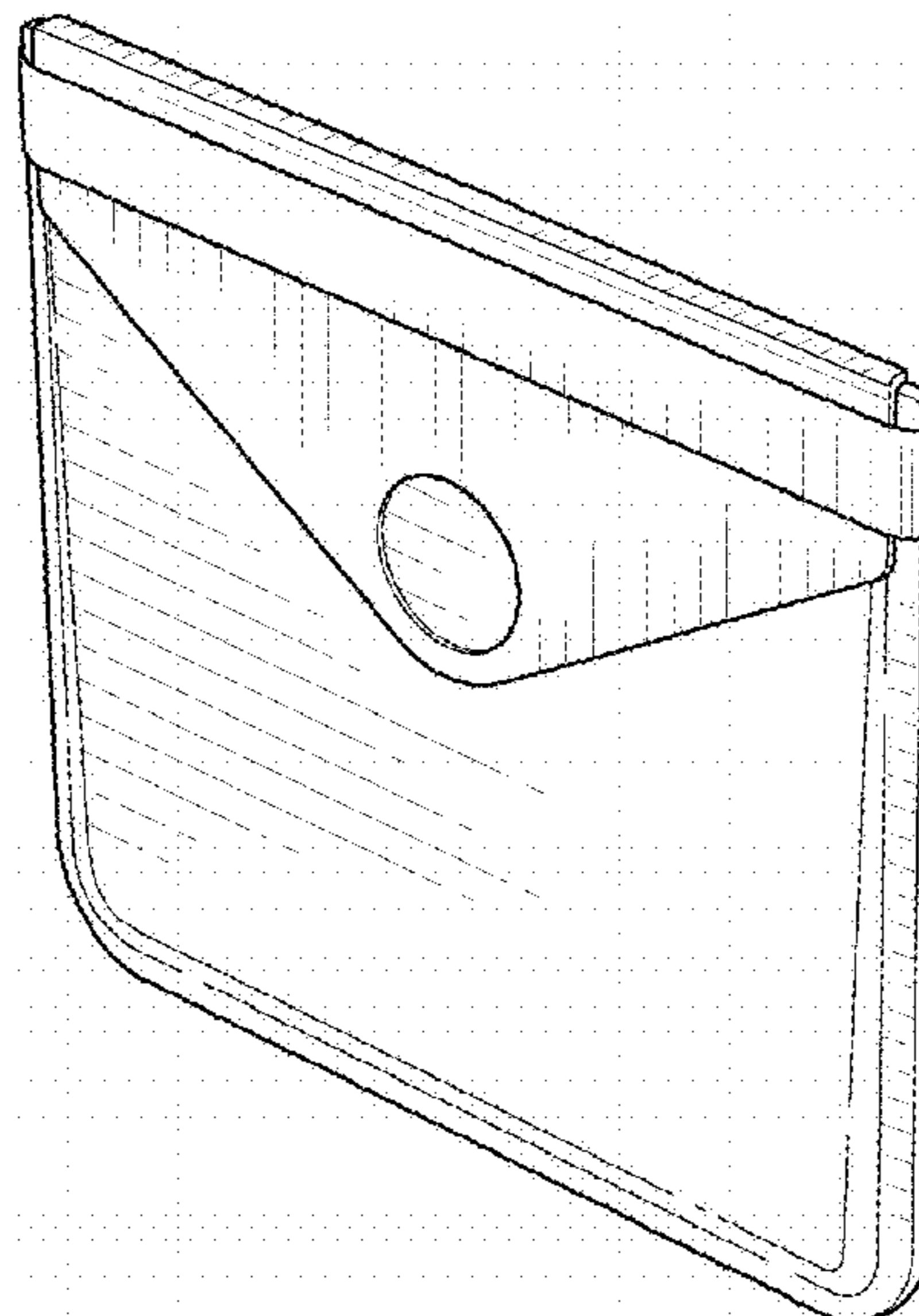
(56) **References Cited**

U.S. PATENT DOCUMENTS

49,307 A 8/1865 Saabach
109,365 A 11/1870 King
175,171 A 3/1876 Rumpp

(Continued)

1 Claim, 4 Drawing Sheets



(58) **Field of Classification Search**

USPC D27/172, 173, 180, 185-187, 189-191,
 D27/193, 175, 183; D28/73, 76
 CPC A45C 1/02; A45C 1/04; A45C 1/06; A45C
 1/024; A45C 3/00; A45C 3/02; A45C
 3/04; A45C 3/06; A45C 3/08; A45C
 3/004; A45C 5/00; A45C 5/02; A45C
 5/03; A45C 5/04; A45C 5/06; A45C
 5/005; A45C 7/00; A45C 7/0036; A45C
 7/0086; A45C 7/059; A45C 9/00; A45C
 11/00; A45C 11/16; A45C 11/24; A45C
 11/26; A45C 11/38; A45C 11/008; A45C
 13/02; A45C 13/08; A45C 13/26; A45C
 13/30; A45C 13/185; A45C 15/00; A45C
 2003/007; A45C 2003/008; A45C
 2011/003; A45C 2011/007; A45C
 2200/05; A45C 2200/10; A45F 5/00;
 A45F 5/02; A45F 5/021; A45F 2200/02;
 A45F 2200/0525; B65D 75/00; B65D
 85/00; B65D 85/68

See application file for complete search history.

(56) **References Cited**

U.S. PATENT DOCUMENTS

489,426 A 1/1893 Wientge
 779,742 A * 1/1905 Schultze A45C 1/06
 150/132
 814,205 A * 3/1906 Hawes A45C 1/06
 150/149
 D45,341 S 3/1914 King Horne
 1,285,602 A * 11/1918 Bloomberg B65D 31/12
 383/38
 1,463,619 A 7/1923 Gardner
 1,584,774 A * 5/1926 Jepsen A45C 3/00
 428/102
 D74,480 S * 2/1928 Cowan D27/189
 1,722,507 A 7/1929 Stanley
 D98,251 S 1/1936 Hassenfeld
 D127,283 S * 5/1941 Schwalbe D3/208
 2,335,051 A * 11/1943 Gardner A45C 1/06
 150/136
 D139,199 S * 10/1944 Treganowen D27/189
 D147,254 S 8/1947 Streng
 D157,742 S 3/1950 Dixon
 D161,264 S * 12/1950 Jeffery A45C 1/08
 D3/250
 2,598,070 A * 5/1952 Randall A47G 33/02
 206/19
 D168,393 S 12/1952 Bourcart
 2,700,492 A 1/1955 Herman et al.
 2,774,404 A 12/1956 Houghton
 2,851,754 A 9/1958 Ecker
 2,968,393 A 1/1961 Phillips, Jr. et al.
 3,557,853 A 1/1971 Jones
 D240,823 S 8/1976 Burke
 D266,201 S 9/1982 Berman
 D266,204 S 9/1982 Berman
 D268,785 S 4/1983 Sommers
 D270,968 S 10/1983 Boal
 D279,508 S 7/1985 Bauer et al.
 D287,786 S 1/1987 Knight
 D291,745 S 9/1987 Hansen
 4,893,739 A 1/1990 Conner
 D326,016 S 5/1992 Guaresi
 D372,858 S 8/1996 Sunley
 D399,596 S * 10/1998 Underwood A45C 1/06
 D27/135
 D408,098 S * 4/1999 Stosky D27/185
 D421,568 S 3/2000 Ferguson et al.
 D426,018 S 5/2000 White
 D438,008 S * 2/2001 Snider F41C 33/06
 D3/299

D466,412 S 12/2002 Baskinger et al.
 D485,980 S 2/2004 Moses
 D491,355 S * 6/2004 Slood B62B 3/1464
 D3/247
 6,884,081 B1 4/2005 Ovadia
 D518,954 S 4/2006 Wald
 D529,283 S * 10/2006 Vivar A45C 1/06
 D3/247
 D532,558 S 11/2006 Jackel-Marken
 D557,490 S 12/2007 Fedon
 D558,392 S 12/2007 Van Keppel et al.
 D566,329 S 4/2008 Bagaric et al.
 D573,303 S 7/2008 Fuente
 D577,191 S 9/2008 Moldovan
 D595,454 S 6/2009 Fuente
 D596,350 S 7/2009 Fuente
 D596,788 S 7/2009 Fuente
 D596,842 S 7/2009 Cooper
 D624,311 S 9/2010 Krakoff
 D660,592 S * 5/2012 Mecchella D3/299
 D693,964 S 11/2013 Loyd
 D694,012 S 11/2013 Hyzdu
 8,667,998 B1 3/2014 Westrick
 D730,042 S 5/2015 Slimane
 9,031,401 B1 5/2015 Appelbaum et al.
 D756,036 S 5/2016 Heilman
 D756,800 S 5/2016 Fenech, III
 D775,820 S 1/2017 Sassi
 D779,282 S 2/2017 Patten
 D794,120 S 8/2017 Takemura
 D799,206 S 10/2017 Smith
 D812,902 S 3/2018 Derusha
 D817,636 S 5/2018 Maier
 D823,597 S * 7/2018 Krainz D3/299
 10,236,708 B2 3/2019 Schennum et al.
 D868,457 S * 12/2019 Hagerman D3/226
 D876,822 S 3/2020 Kim
 D886,448 S 6/2020 Zhang
 10,750,779 B2 8/2020 Schennum et al.
 D900,467 S 11/2020 Yang
 D914,535 S * 3/2021 Hack D11/78.1
 2002/0020727 A1 2/2002 Huggins, Jr.
 2004/0016658 A1 1/2004 Le et al.
 2007/0000965 A1 * 1/2007 Cannon, Jr. F41C 33/06
 224/673
 2007/0068982 A1 3/2007 Grundy et al.
 2010/0147736 A1 6/2010 West et al.
 2010/0230459 A1 9/2010 Barbier et al.
 2010/0320246 A1 * 12/2010 Taylor B62B 3/1464
 224/411
 2013/0068641 A1 3/2013 Puglisi
 2014/0061068 A1 3/2014 Diaz
 2014/0159405 A1 6/2014 Potter et al.
 2017/0251790 A1 9/2017 Bedasee
 2018/0184774 A1 7/2018 Krainz
 2019/0104831 A1 4/2019 Lazzara
 2020/0229582 A1 7/2020 Lui et al.
 2020/0281335 A1 9/2020 Bojaxhi

FOREIGN PATENT DOCUMENTS

EM 0055895040001 S 9/2018
 EM 0066146400001 S 7/2019
 EM 006590733-0006 * 10/2020
 EM 0066917210002 10/2020
 EM 0066917210008 10/2020
 EM 0066917210010 10/2020
 EM 0066917210012 10/2020
 EM 0065907330003 11/2020
 FR 20142878001 11/2014
 WO WO-D046568 S 2/1999

OTHER PUBLICATIONS

Women's RFID Blocking Small Compact Bifold, first available
 Sep. 5, 2018, amazon.com [online], [site visited Jan. 12, 2021],
 Available at internet URL: [https://www.amazon.com/gp/product/
 B07GPZMGZ6/ref=as_li_ss_il?ie=UTF8&linkCode=li3&tag=](https://www.amazon.com/gp/product/B07GPZMGZ6/ref=as_li_ss_il?ie=UTF8&linkCode=li3&tag=)

(56)

References Cited

OTHER PUBLICATIONS

simplicity0e0-20&linkId=8584d6a0621d4fe9e5e4cfbd821c3126&language=en_US (Year: 2018).*

“15 Pack Ego Silicone Sucker Stand Base Holder for Vapor Tanks and Batter Vaporizer Pens”, first available Feb. 28, 2014, site visited Jan. 12, 2021, retrieved from <https://www.amazon.com/Ego-Vaporizer-Electronic-Cigarette-Cigarette/dp/B00KYBPGY>, 2014, 8 pages.

951. Sterling Silver “Envelope” Cigarette Case, dated 1946, Auction Date Mar. 4, 2006, aspireauctions.com [online], [site visited Jan. 13, 2021], Available at internet URL: <https://www.aspireauctions.com/#!/catalog/61/345/lot/12652>, 1946, 1 page.

“Ashlin® Designer | L’Aquila Double Pen Case”, available as early as Feb. 12, 2019, site visited Jan. 14, 2021, Internet URL exceeds character limit of PTO-892, see written Office Action, 2019, 6 pages.

“Ashlin® Designer | Trapani Triple Pen Case | Tuscany Cowhide | [PEN07-18]”, unknown first availability date, site visited Jan. 13, 2021, retrieved from <https://ashlinleather.com/ashlin-designer-trapani-triple-pen-case-tuscany-cowhide-pen07-18/>, 2021, 6 pages.

Elegant Red Suede Female Solid Women Evening Bags, unknown first available date, aliexpress.com, site visited Jan. 13, 2021, available at internet URL: <https://www.aliexpress.com/i/32977673973.html>, 2021, 4 pgs.

“Genuine Leather Pen Case Holder Fountain Multi Pens Pouch Pen Protective Sleeve Cover: Office Products”, available Mar. 2, 2018, amazon.com [online], [site visited Jan. 14, 2021], Internet URL exceeds character limit of PTO-892, see written Office Action, 2018, 9 pages.

“Goson Classic Leather Squeeze Coin Purse Change Holder for Men and Women Pouch size 3.50 in x 3.25 in: Shoes”, first available May 4, 2018, retrieved from <https://www.amazon.com/Goson-Classic-Leather-Squeeze-change/dp/B07CVN6DQ2> on 2018, 12 pages.

“Hide & Drink Leather Vape Pen Case & Nightstand Holder (2 Pieces)”, site visited Jan. 14, 2021, retrieved from <https://www.amazon.com/Hide-Drink-Nightstand-Prevents-Protector/dp/B07QDV25VP>, on Apr. 9, 2019, 7 pages.

“Lucky Line Assorted Squeeze Coin Holder Key Chain (94101), Office Products”, first available Oct. 16, 2006, retrieved from <https://www.amazon.com/Lucky-Line-Plastic-Holder-94101/dp/B00460W6GG>, on 2006, 8 pages.

Office Action dated Jun. 18, 2020 for Russian Application No. 2019505801, 10 pages.

Office Action dated Jun. 18, 2020 for Russian Application No. 2019505804, 10 pages.

Office Action dated Jun. 18, 2020 for Russian Application No. 2019505805, 10 pages.

Office Action dated Jun. 18, 2020 for Russian Application No. 2019505808, 10 pages.

Office Action dated Jun. 18, 2020 for Russian Application No. 2019505809, 10 pages.

“Tip Vapor Charging Case for JUUL Kit—Vape Juice Depot”, unknown first available date, site visited Jan. 12, 2021, retrieved from <https://vapejuicedepot.com/products/coco-vapor-charging-case-for-juul>, 2021, 7 pages.

“Vape Pen Pouch”, unknown first availability date, site visited Jan. 13, 2021, retrieved from <https://cedarandfinch.com/vape-pouch.html>, 2021, 3 pages.

“Vype e-cigarette Sleeve”, unknown first available date, site visited Jan. 14, 2021, retrieved from <https://www.govype.ch/vype-e-cigarette-sleeve.html>, 2021, 4 pages.

Design U.S. Appl. No. 29/718,097, filed Dec. 20, 2019, inventor Cruice et al.

Design U.S. Appl. No. 29/718,101, filed Dec. 20, 2019, inventor Cruice et al.

Design U.S. Appl. No. 29/718,106, filed Dec. 20, 2019, inventor Cruice et al.

Design U.S. Appl. No. 29/718,110, filed Dec. 20, 2019, inventor Cruice et al.

Design U.S. Appl. No. 29/718,114, filed Dec. 20, 2019, inventor Cruice et al.

* cited by examiner

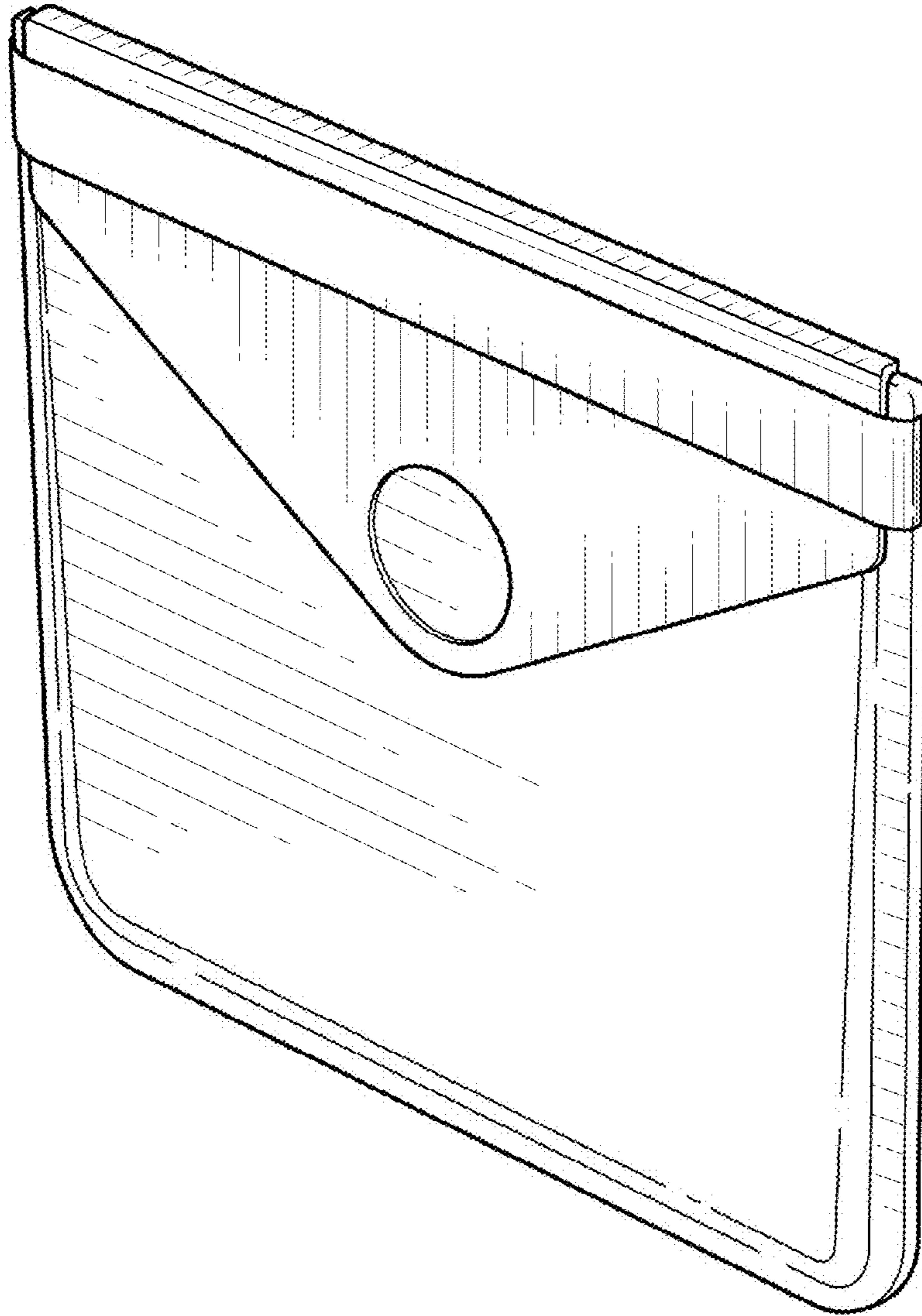


FIG . 1

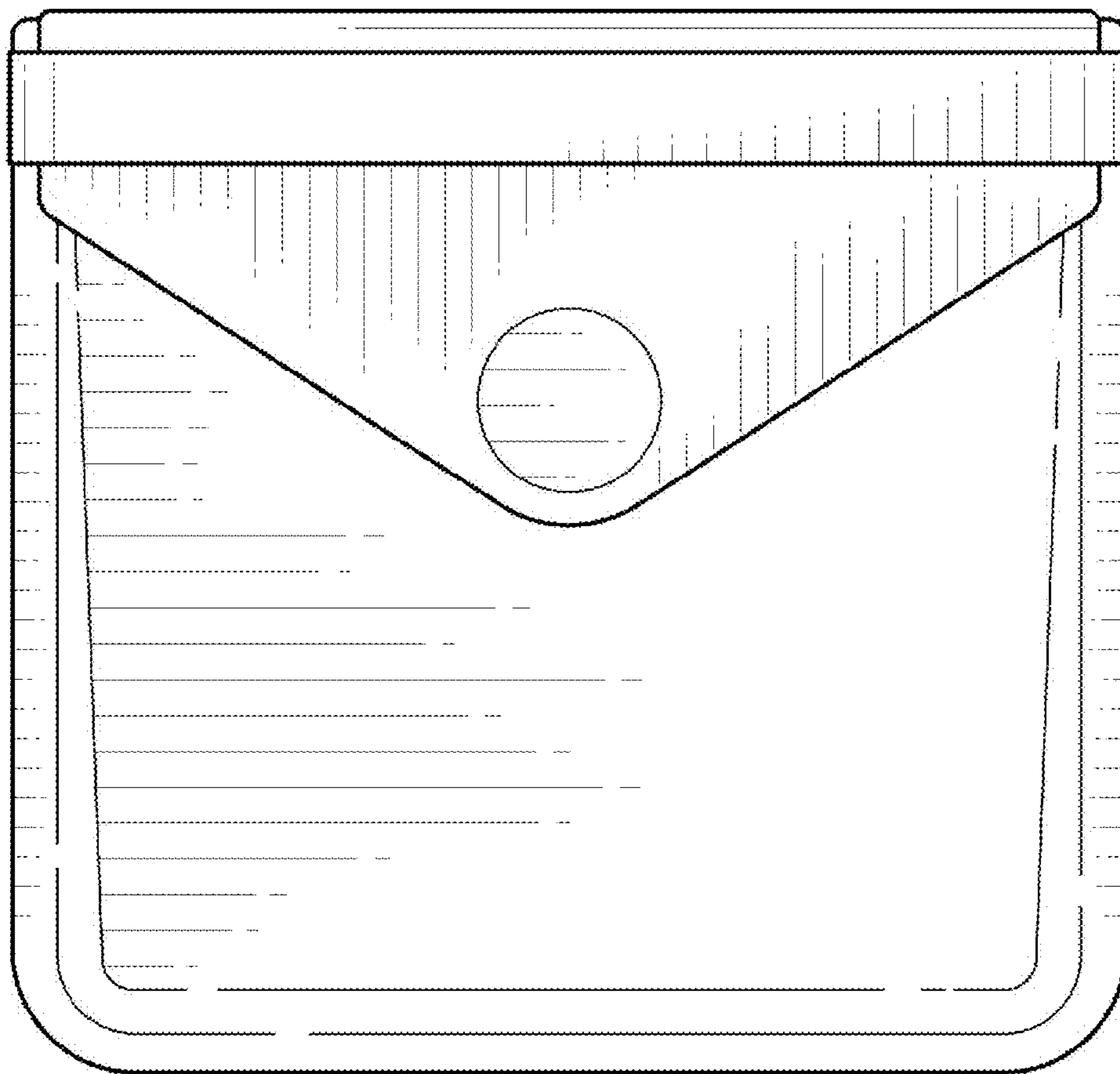


FIG . 2

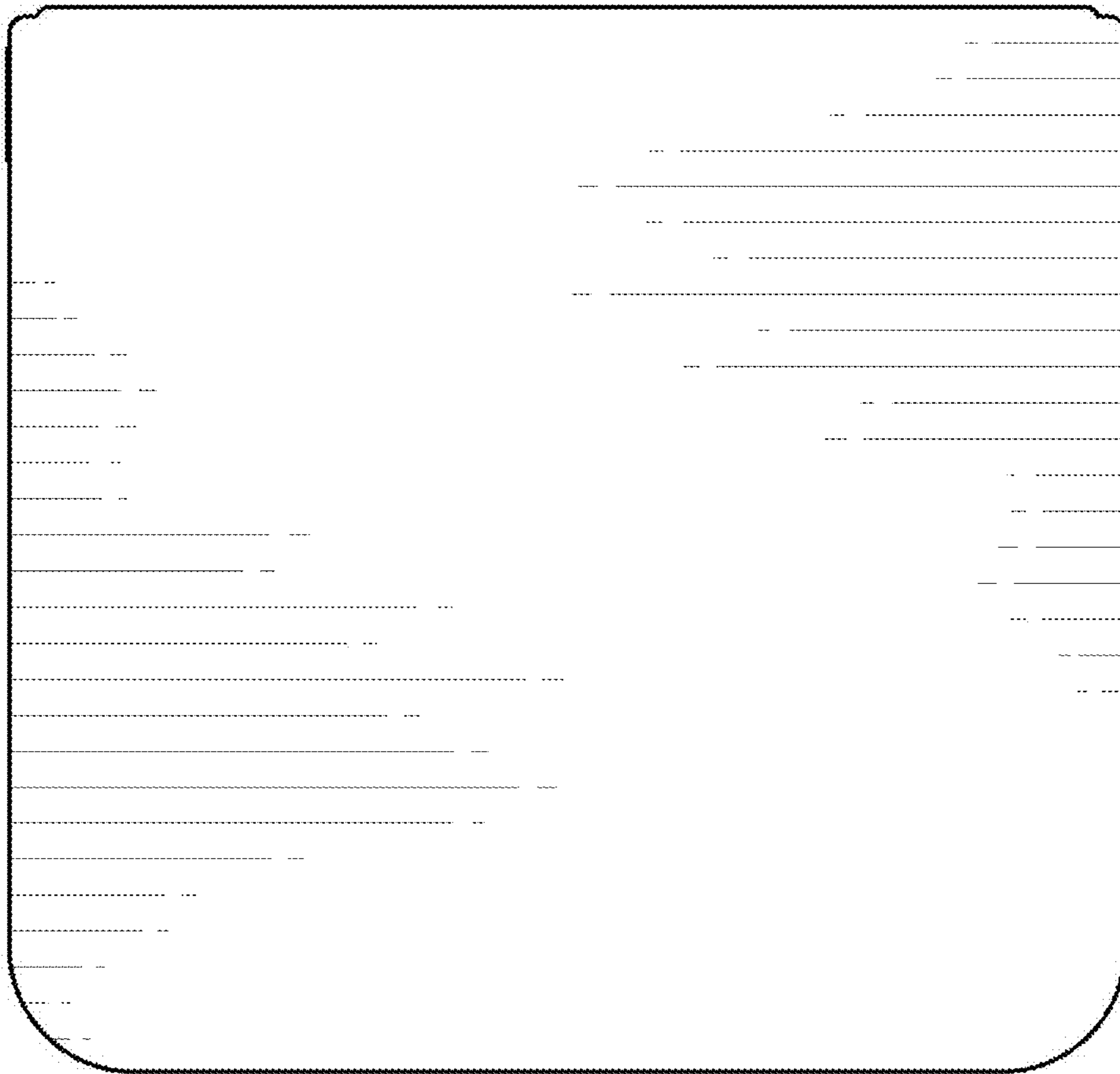


FIG . 3



FIG . 4



FIG . 5

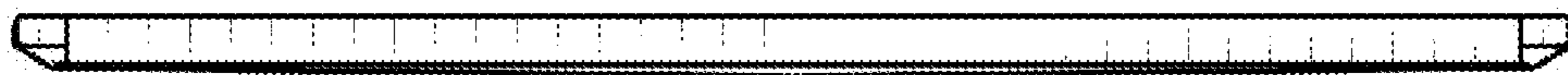


FIG . 6



FIG . 7