



US00D929738S

(12) **United States Design Patent** (10) **Patent No.:** **US D929,738 S**  
**Cruice et al.** (45) **Date of Patent:** **\*\* Sep. 7, 2021**

(54) **TRAVEL POUCH FOR A DEVICE**

A45F 5/02; A45F 5/021; A45F 2200/02;  
A45F 2200/0525; B65D 75/00; B65D  
85/00; B65D 85/68

(71) Applicant: **Nicoventures Trading Limited**,  
London (GB)

See application file for complete search history.

(72) Inventors: **Anthony Cruice**, London (GB);  
**Ainsley Cox**, London (GB)

(56) **References Cited**

(73) Assignee: **Nicoventures Trading Limited**,  
London (GB)

U.S. PATENT DOCUMENTS

(\*\*) Term: **15 Years**

49,307 A	8/1865	Saarbach	
109,365 A	11/1870	King	
175,171 A *	3/1876	Rumpp .....	A24F 27/00
			206/121
489,426 A *	1/1893	Wientge .....	B65D 85/12
			206/242

(21) Appl. No.: **29/718,097**

(22) Filed: **Dec. 20, 2019**

(30) **Foreign Application Priority Data**

Jun. 21, 2019 (EM) ..... 006590733  
Aug. 8, 2019 (EM) ..... 006691721

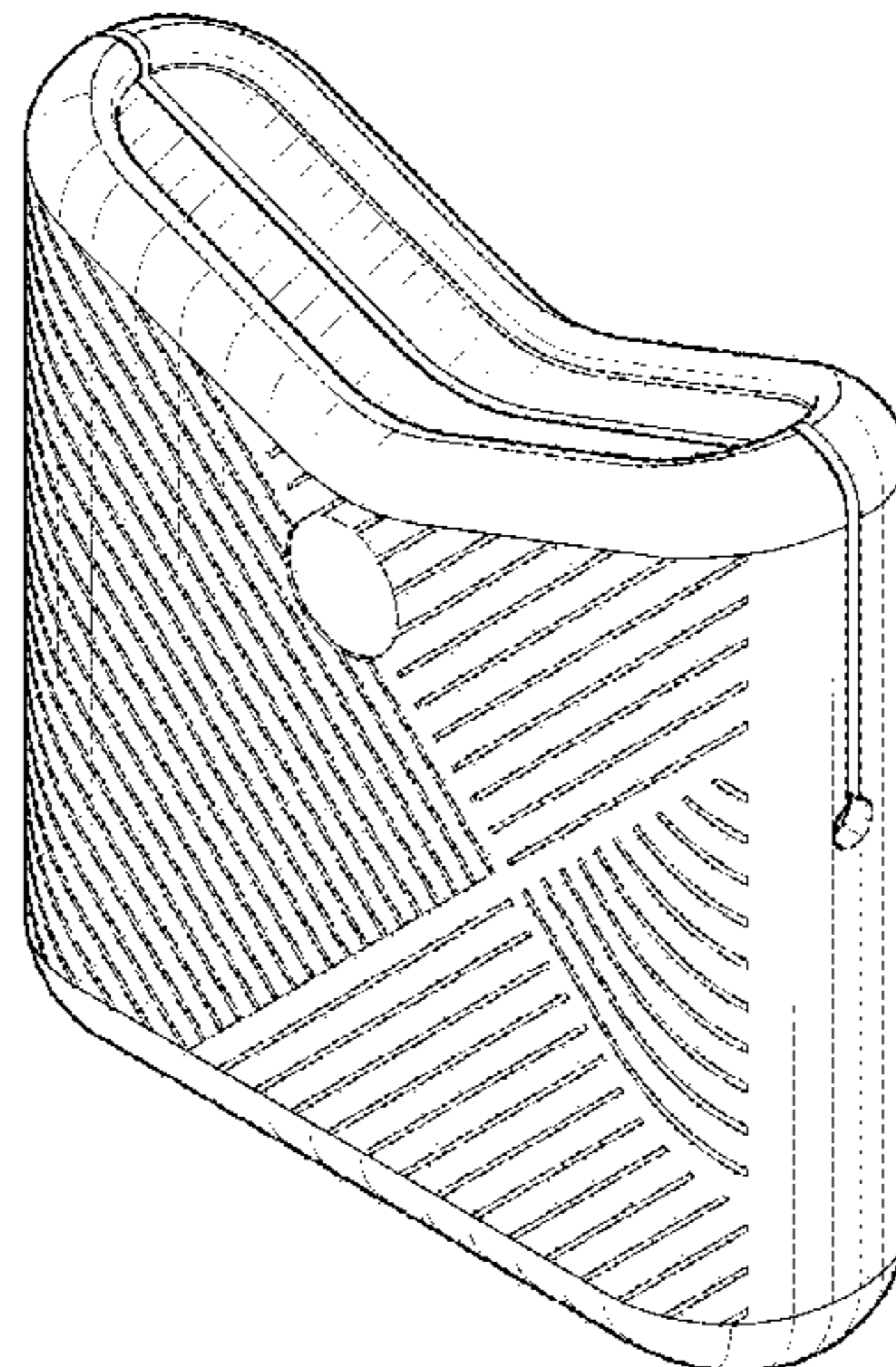
(51) **LOC (13) Cl.** ..... **03-01**

(52) **U.S. Cl.**  
USPC ..... **D3/303; D27/189**

(58) **Field of Classification Search**

USPC ..... D3/203.1-203.3, 203.6, 205, 206, 226,  
D3/227, 230, 232, 242, 243, 245-247,  
D3/249-251, 253, 258, 267, 268,  
D3/273-276, 283-291, 294, 295,  
D3/299-301, 303, 900, 901, 903;  
D7/602, 605, 607, 701, 703, 709;  
D9/701, 707, 709; D19/102, 106;  
D27/172, 173, 180, 185-187, 189-191,  
D27/193, 175, 183; D28/73, 76  
CPC .... A45C 1/02; A45C 1/04; A45C 1/06; A45C  
1/024; A45C 3/00; A45C 3/02; A45C  
3/04; A45C 3/06; A45C 3/08; A45C  
3/004; A45C 5/00; A45C 5/02; A45C  
5/03; A45C 5/04; A45C 5/06; A45C  
5/005; A45C 7/00; A45C 7/0036; A45C  
7/0086; A45C 7/059; A45C 9/00; A45C  
11/00; A45C 11/16; A45C 11/24; A45C  
11/26; A45C 11/38; A45C 11/008; A45C  
13/02; A45C 13/08; A45C 13/26; A45C  
13/30; A45C 13/185; A45C 15/00; A45C  
2003/007; A45C 2003/008; A45C  
2011/003; A45C 2011/007; A45C  
2200/05; A45C 2200/10; A45F 5/00;

779,742 A	1/1905	Schultze	
814,205 A	3/1906	Hawes	
D45,341 S	3/1914	King Horne	
1,285,602 A	11/1918	Bloomberg	
1,463,619 A	7/1923	Gardner	
1,584,774 A	5/1926	Henry	
D74,480 S	2/1928	Cowan	
1,722,507 A	7/1929	Stanley	
D98,251 S	1/1936	Hassenfeld	
D127,283 S	5/1941	Schwalbe	
2,335,051 A	11/1943	Gardner	
D139,199 S	10/1944	Treganowen	
D147,254 S	8/1947	Streng	
D157,742 S	3/1950	Dixon	
D161,264 S	12/1950	Jeffery	
2,598,070 A	5/1952	Horace et al.	
D168,393 S	12/1952	Bourcart	
2,700,492 A	1/1955	Herman et al.	
2,774,404 A	12/1956	Houghton	
2,851,754 A	9/1958	Ecker	
2,968,393 A	1/1961	Phillips, Jr. et al.	
3,557,853 A	1/1971	Jones	
D240,823 S	8/1976	Burke	
D266,201 S	9/1982	Berman	
D266,204 S	9/1982	Berman	
D268,785 S	4/1983	Sommers	
D270,968 S	10/1983	Boal	
D279,508 S *	7/1985	Bauer .....	D27/194
D287,786 S	1/1987	Knight	
D291,745 S	9/1987	Hansen	
4,893,739 A	1/1990	Conner	
D326,016 S	5/1992	Guaresi	
D372,858 S	8/1996	Sunley	
D399,596 S	10/1998	Underwood	
D408,098 S	4/1999	Stosky	
D421,568 S	3/2000	Ferguson et al.	
D426,018 S	5/2000	White	



D438,008	S	2/2001	Snider	
D466,412	S	12/2002	Baskinger et al.	
D485,980	S	2/2004	Moses	
D491,355	S	6/2004	Sloot	
6,884,081	B1	4/2005	Ovadia	
D518,954	S	4/2006	Wald	
D529,283	S	10/2006	Vivar et al.	
D532,558	S	11/2006	Jackel-Marken	
D557,490	S	12/2007	Fedon	
D558,392	S	12/2007	Van Keppel et al.	
D566,329	S *	4/2008	Bagaric .....	D27/189
D573,303	S *	7/2008	Fuente .....	D27/189
D577,191	S	9/2008	Moldovan	
D595,454	S *	6/2009	Fuente .....	D27/189
D596,350	S *	7/2009	Fuente .....	D27/189
D596,788	S *	7/2009	Fuente .....	D27/189
D596,842	S	7/2009	Cooper	
D624,311	S *	9/2010	Krakoff .....	D3/232
D660,592	S	5/2012	Mecchella	
D693,964	S	11/2013	Loyd	
D694,012	S	11/2013	Hyzdu	
8,667,998	B1	3/2014	Westrick	
D730,042	S	5/2015	Slimane	
9,031,401	B1 *	5/2015	Appelbaum .....	G03B 15/06 396/198
D756,036	S	5/2016	Heilman	
D756,800	S	5/2016	Fenech, III	
D775,820	S	1/2017	Sassi	
D779,282	S	2/2017	Patten	
D794,120	S	8/2017	Takemura	
D799,206	S	10/2017	Smith	
D812,902	S *	3/2018	Derusha .....	D3/232
D817,636	S *	5/2018	Maier .....	D3/232
D823,597	S	7/2018	Krainz	
10,236,708	B2 *	3/2019	Schennum .....	H02J 7/0044
D868,457	S	12/2019	Hagerman	
D876,822	S	3/2020	Kim	
D886,448	S	6/2020	Zhang	
10,750,779	B2 *	8/2020	Schennum .....	H02J 7/0047
D900,467	S	11/2020	Yang	
2002/0020727	A1	2/2002	Huggins, Jr.	
2004/0016658	A1	1/2004	Le et al.	
2007/0000965	A1	1/2007	Cannon, Jr.	
2007/0068982	A1	3/2007	Grundy et al.	
2010/0147736	A1	6/2010	West et al.	
2010/0230459	A1	9/2010	Barbier et al.	
2010/0320246	A1	12/2010	Taylor	
2013/0068641	A1	3/2013	Puglisi	
2014/0061068	A1	3/2014	Diaz	
2014/0159405	A1	6/2014	Potter et al.	
2017/0251790	A1	9/2017	Bedasee	
2018/0184774	A1	7/2018	Krainz	
2019/0104831	A1	4/2019	Lazzara	
2020/0229582	A1	7/2020	Lui et al.	
2020/0281335	A1 *	9/2020	Bojaxhi .....	A45C 9/00

FOREIGN PATENT DOCUMENTS

CN	301525690	4/2011
DE	402017100712-0007 S	1/2018
EM	0055895040001 S	9/2018
EM	0066146400001 S	7/2019
EM	006691721-0002 *	10/2020
EM	0065907330006	10/2020
EM	0066917210008	10/2020
EM	0066917210010	10/2020
EM	0066917210012	10/2020
EM	0065907330003	11/2020
FR	20142878001	11/2014
WO	WO-D046568 S	2/1999

OTHER PUBLICATIONS

Goson Classic Leather Squeeze Coin Purse, first available May 4, 2018, amazon.com [online], [site visited Jan. 13, 2021], Available at internet URL: <https://www.amazon.com/Goson-Classic-Leather-Squeeze-change/dp/B07CVN6DQ2> (Year: 2018).\*

Lucky Line Assorted Squeeze Coin Holder Key Chain (94101), first available Oct. 16, 2006, amazon.com [online], [site visited Jan. 13, 2021], Available at internet URL: <https://www.amazon.com/Lucky-Line-Plastic-Holder-94101/dp/B00460W6GG> (Year: 2006).\*

“15 Pack Ego Silicone Sucker Stand Base Holder for Vapor Tanks and Batter Vaporizer Pens”, first available Feb. 28, 2014, site visited Jan. 12, 2021, retrieved from <https://www.amazon.com/Ego-Vaporizer-Electronic-Cigarette-Cigarette/dp/B00KYZBPGY>, 2014, 8 pages.

951. Sterling Silver “Envelope” Cigarette Case, dated 1946, Auction Date Mar. 4, 2006, aspireauctions.com [online], [site visited Jan. 13, 2021], Available at internet URL: <https://www.aspireauctions.com/#!/catalog/61/345/lot/12652>, 1946, 1 page.

“Ashlin® Designer | L’Aquila Double Pen Case”, available as early as Feb. 12, 2019, Site visited Jan. 14, 2021, Internet URL exceeds character limit of PT0-892, see written Office Action, 2019, 6 pages.

“Ashlin® Designer | Trapani Triple Pen Case | Tuscany Cowhide | [PEN07-18]”, unknown first availability date, site visited Jan. 13, 2021, retrieved from <https://ashlinleather.com/ashlin-designer-trapani-triple-pen-case-tuscany-cowhide-pen07-18/>, 2021, 6 pages.

Elegant Red Suede Female Solid Women Evening Bags, unknown first available date, aliexpress.com, site visited Jan. 13, 2021, available at internet URL: <https://www.aliexpress.com/i/32977673973.html>, 2021, 4 pgs.

“Genuine Leather Pen Case Holder Fountain Multi Pens Pouch Pen Protective Sleeve Cover: Office Products”, available Mar. 2, 2018, amazon.com [online], [site visited Jan. 14, 2021], Internet URL exceeds character limit of PT0-892, see written Office Action, 2018, 9 pages.

“Hide & Drink Leather Vape Pen Case & Nightstand Holder (2 Pieces)”, site visited Jan. 14, 2021, retrieved from <https://www.amazon.com/Hide-Drink-Nightstand-Prevents-Protector/dp/B07QDV25VP>, on Apr. 9, 2019, 7 pages.

“Mini Envelope Wallet | Portland Leather Goods”, unknown first available date, site visited Jan. 12, 2021, retrieved from <https://www.portlandleathergoods.com/products/mini-envelope-wallet?variant=29693133717586>, 2021, 8 pages.

Office Action dated Jun. 18, 2020 for Russian Application No. 2019505801, 10 pages.

Office Action dated Jun. 18, 2020 for Russian Application No. 2019505804, 10 pages.

Office Action dated Jun. 18, 2020 for Russian Application No. 2019505805, 10 pages.

Office Action dated Jun. 18, 2020 for Russian Application No. 2019505808, 10 pages.

Office Action dated Jun. 18, 2020 for Russian Application No. 2019505809, 10 pages.

“Tip Vapor Charging Case for JUUL Kit—Vape Juice Depot”, unknown first available date, site visited Jan. 12, 2021, retrieved from <https://vapejuicedepot.com/products/coco-vapor-charging-case-for-juul>, 2021, 7 pages.

“Vape Pen Pouch”, unknown first availability date, site visited Jan. 13, 2021, retrieved from <https://cedarandfinch.com/vape-pouch.html>, 2021, 3 pages.

“Vype e-cigarette Sleeve”, unknown first available date, site visited Jan. 14, 2021, retrieved from <https://www.govype.ch/vype-e-cigarette-sleeve.html>, 2021, 4 pages.

“Women’s RFID Blocking Small Compact Bifold Leather Pocket Wallet Ladies Mini Purse(2-Envelope Black): Clothing”, first available Sep. 5, 2018, retrieved from [https://www.amazon.com/gp/product/B07GPZMGZ6/ref=as\\_li\\_ss\\_il?ie=UTF8&linkCode=li3&tag=simplicity0e0-20&linkId=8584d6a0621d4fe9e5e4cfd821c3126&language=en\\_US](https://www.amazon.com/gp/product/B07GPZMGZ6/ref=as_li_ss_il?ie=UTF8&linkCode=li3&tag=simplicity0e0-20&linkId=8584d6a0621d4fe9e5e4cfd821c3126&language=en_US), 2018, 8 pages.

Design U.S. Appl. No. 29/718,101, filed Dec. 20, 2019, inventor Cruice et al.

Design U.S. Appl. No. 29/718,104, filed Dec. 20, 2019, inventor Cruice et al.

Design U.S. Appl. No. 29/718,106, filed Dec. 20, 2019, inventor Cruice et al.

Design U.S. Appl. No. 29/718,110, filed Dec. 20, 2019, inventor Cruice et al.

Design U.S. Appl. No. 29/718,114, filed Dec. 20, 2019, inventor  
Cruice et al.

\* cited by examiner

*Primary Examiner* — Jeffrey D Asch  
*Assistant Examiner* — Caitlin Ann Laverty  
(74) *Attorney, Agent, or Firm* — Patterson Thuent  
Pedersen, P.A.

(57) **CLAIM**

We claim the ornamental design for a travel pouch for a device, as shown.

**DESCRIPTION**

FIG. 1 is a top perspective view of a travel pouch for a device.

FIG. 2 is a front elevational view of the travel pouch for a device depicted in FIG. 1.

FIG. 3 is a rear elevational view of the travel pouch for a device depicted in FIG. 1.

FIG. 4 is a left side elevational view of the travel pouch for a device depicted in FIG. 1.

FIG. 5 is a right side elevational view of the travel pouch for a device depicted in FIG. 1; and,

FIG. 6 is a top plan view of the travel pouch for a device depicted in FIG. 1.

**1 Claim, 5 Drawing Sheets**

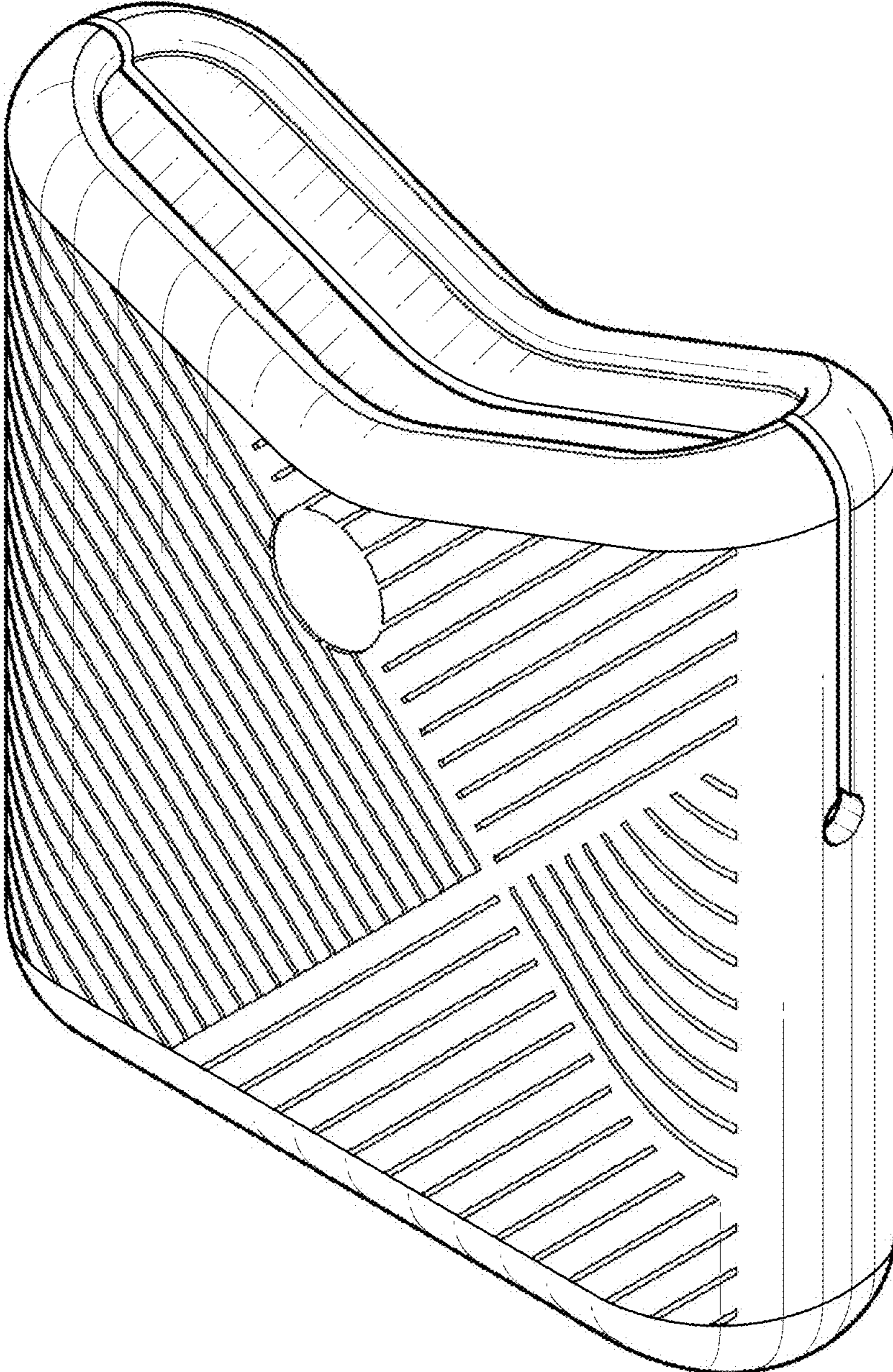


FIG . 1

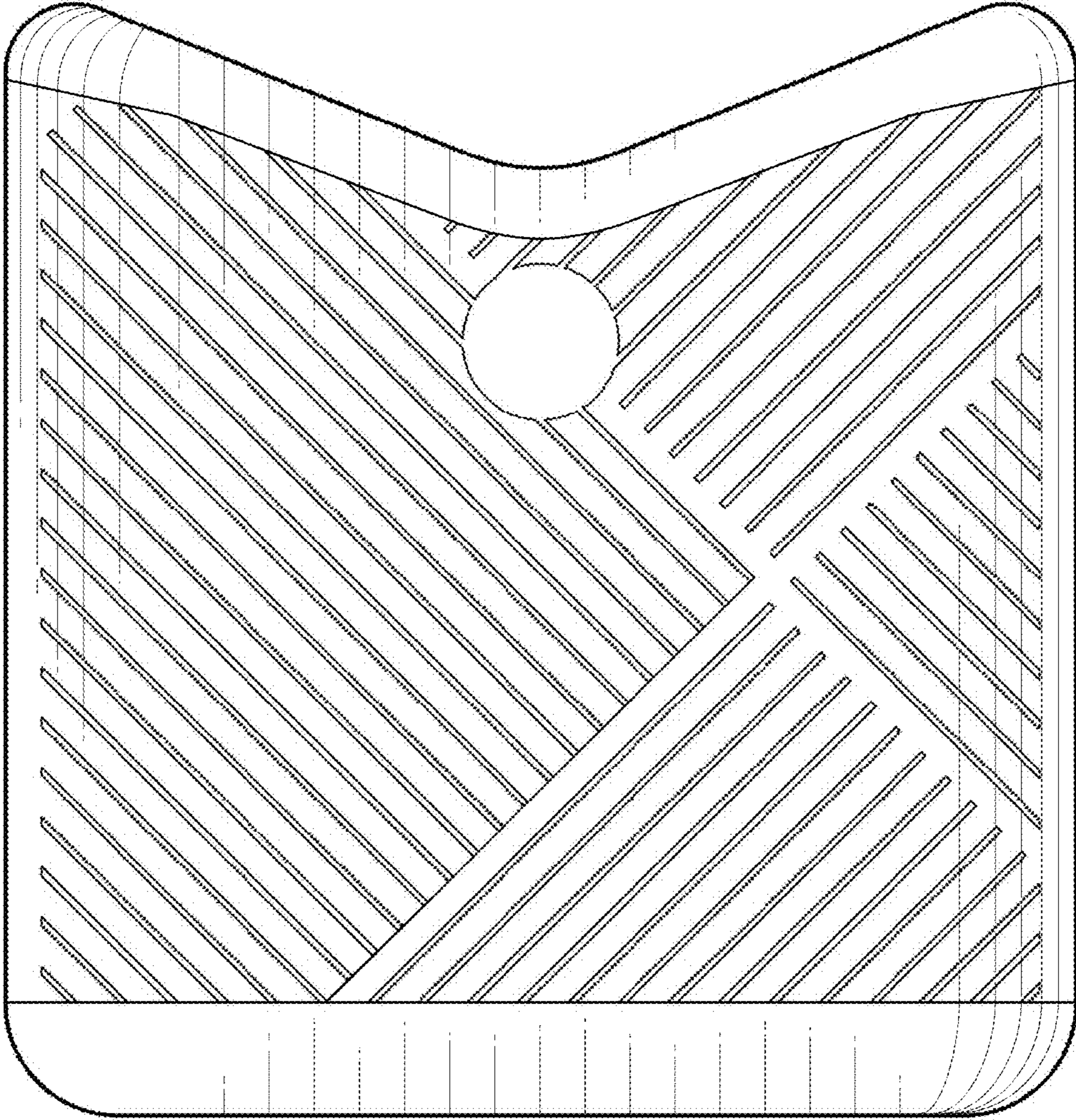
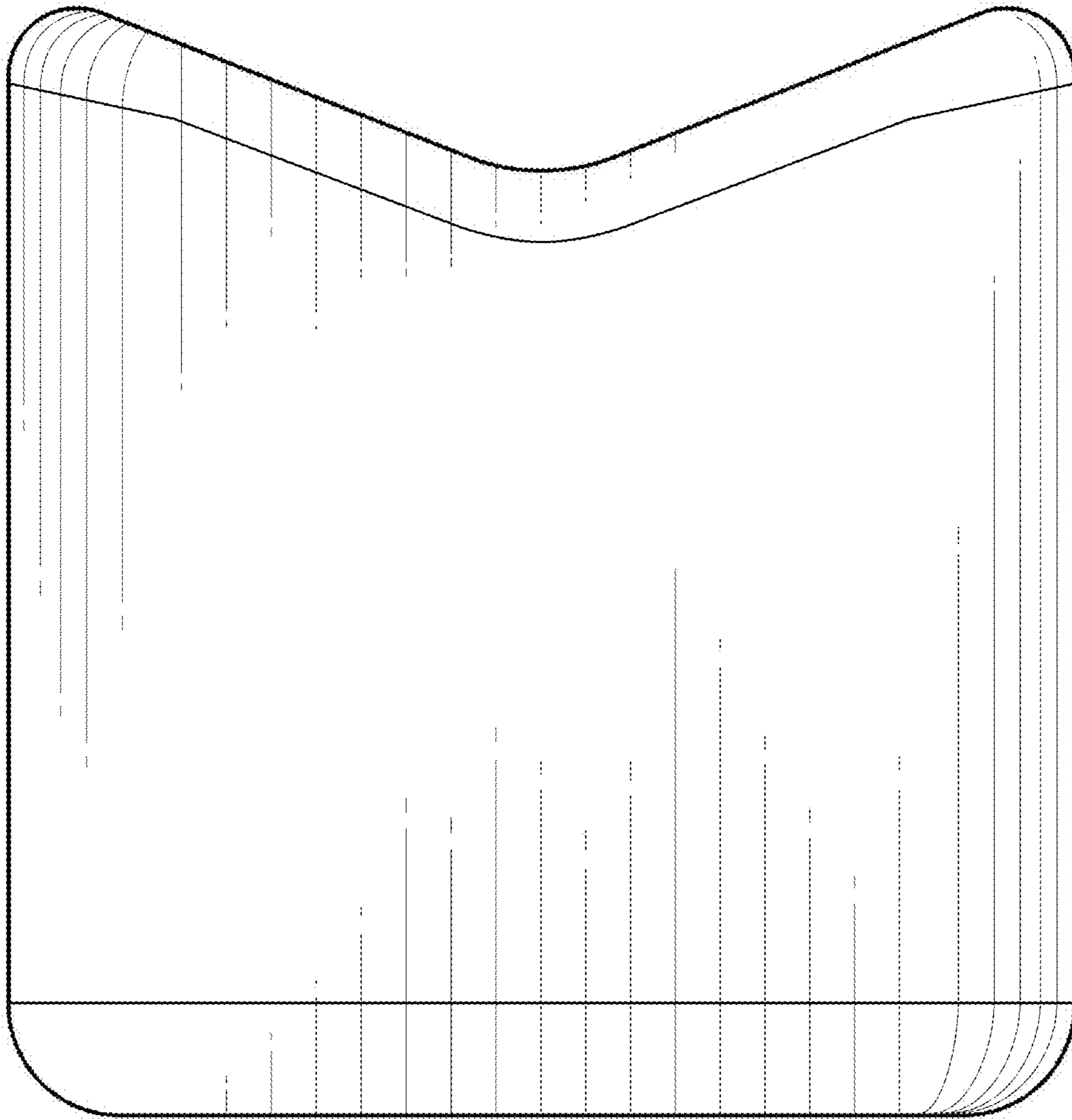


FIG . 2



*FIG . 3*

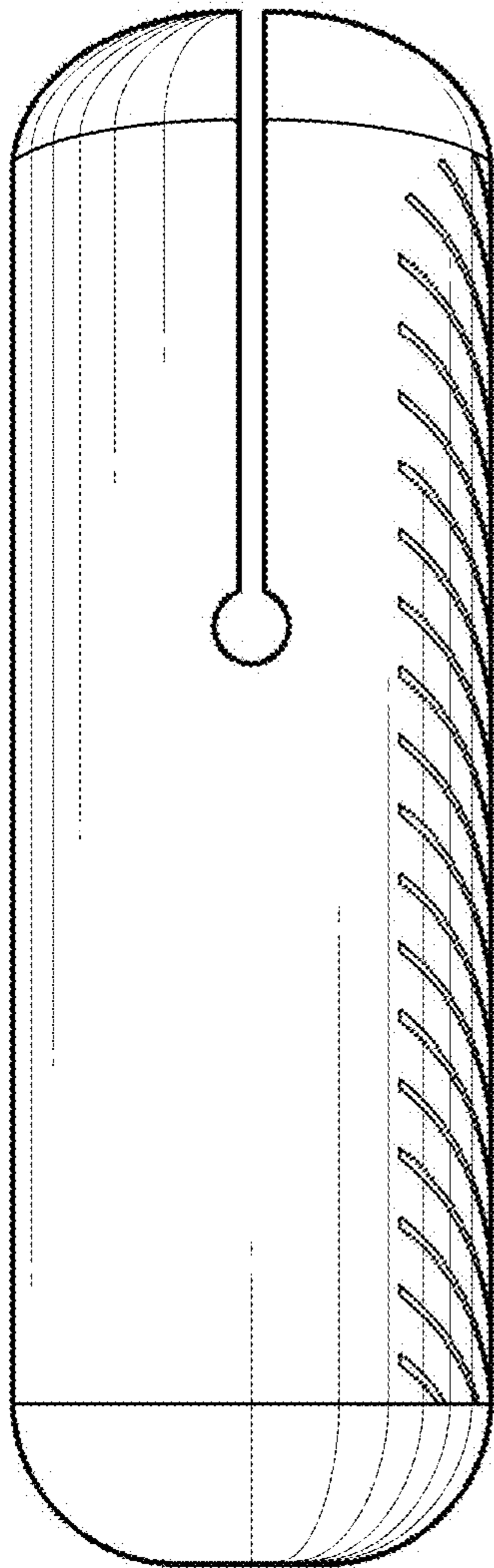


FIG . 4

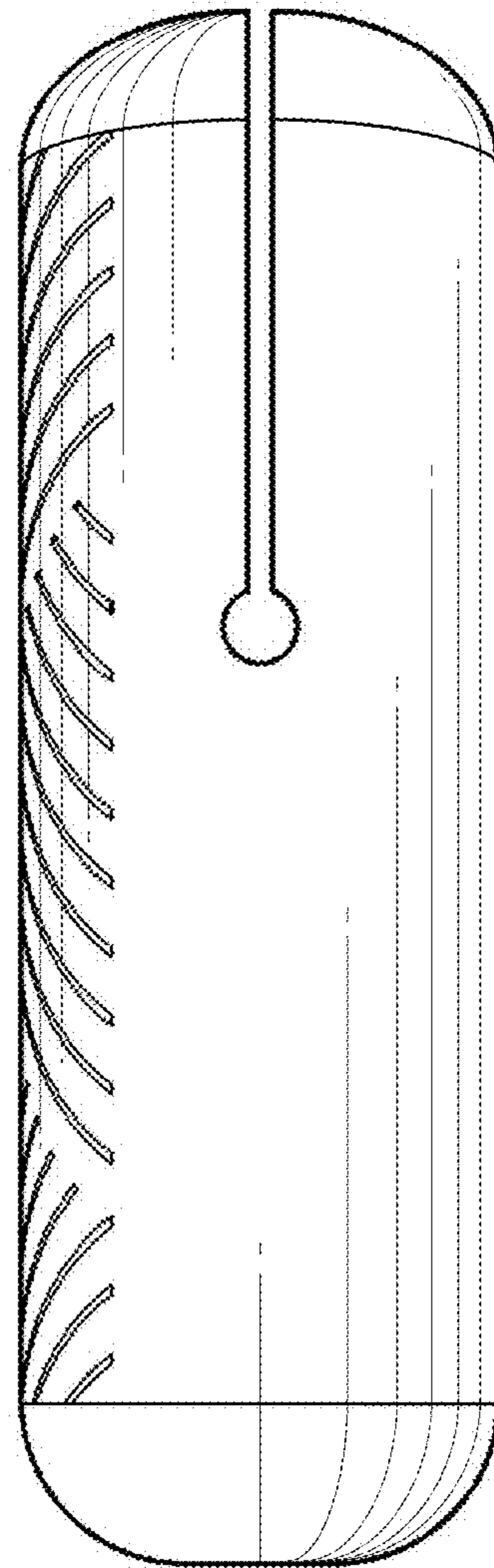
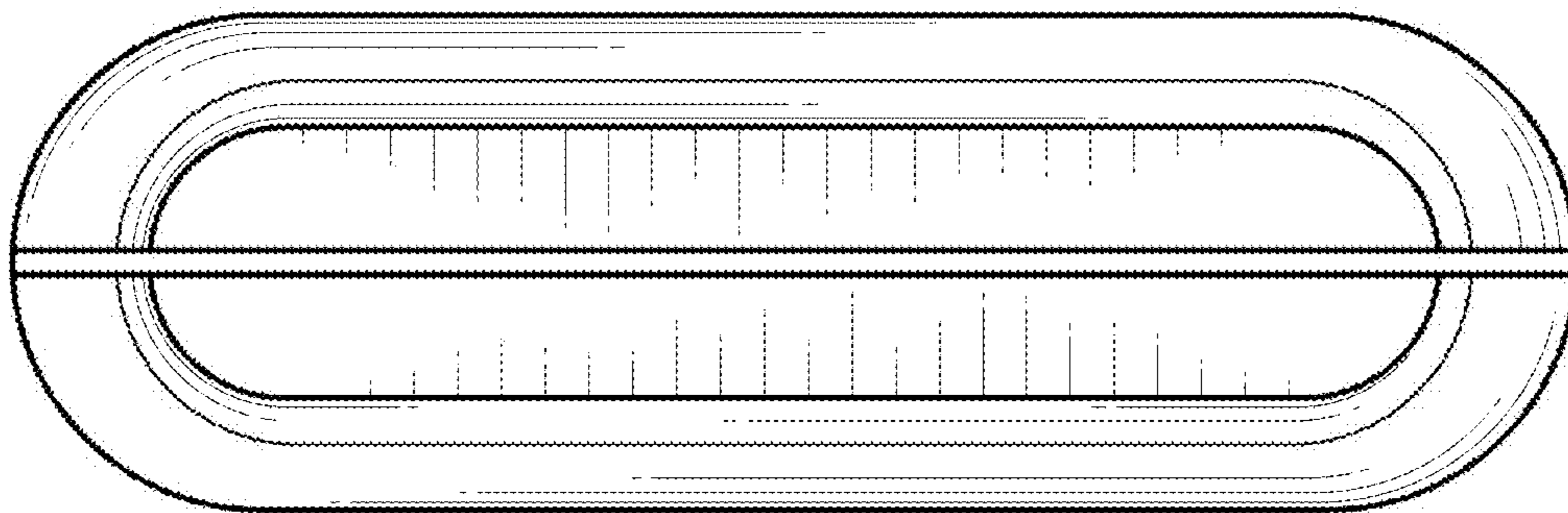


FIG . 5



*FIG . 6*