



US00D929737S

(12) **United States Design Patent** (10) **Patent No.:** **US D929,737 S**
Ye (45) **Date of Patent:** **** Sep. 7, 2021**

(54) **STORAGE CONTAINER**

(71) Applicant: **Guoliang Ye, Jiangxi (CN)**

(72) Inventor: **Guoliang Ye, Jiangxi (CN)**

(**) Term: **15 Years**

(21) Appl. No.: **29/763,480**

(22) Filed: **Dec. 22, 2020**

(51) **LOC (13) Cl.** **03-01**

(52) **U.S. Cl.**
USPC **D3/302**

(58) **Field of Classification Search**
USPC D3/302, 273, 276, 291, 282, 294;
D9/424; D7/605, 629
CPC .. A45C 5/00; A45C 5/04; A45C 11/00; A45C
11/16

See application file for complete search history.

(56) **References Cited**

U.S. PATENT DOCUMENTS

D319,016 S *	8/1991	Kahl	D7/605
D328,425 S *	8/1992	Brightbill	D3/282
5,507,385 A *	4/1996	Koloski	B25H 3/023 206/372
D373,953 S *	9/1996	Gale	D3/302
D374,774 S *	10/1996	Cassel	D3/273
D378,025 S *	2/1997	Perelli	D3/318

D414,606 S *	10/1999	Sun	D3/276
D511,655 S *	11/2005	Kim	D7/612
D513,870 S *	1/2006	Rosine	D3/273
D588,416 S *	3/2009	Franczyk	D3/273
D622,061 S *	8/2010	Higginson	D3/302
D818,712 S *	5/2018	Fleming et al.		
D880,958 S *	4/2020	Dai	D7/629
D906,059 S *	12/2020	Liao	D7/629
D922,154 S *	6/2021	Zou	D7/629
2004/0084464 A1 *	5/2004	Koo	B65D 43/0218 220/784
2016/0045054 A1 *	2/2016	Su	A47J 47/14 99/403

* cited by examiner

Primary Examiner — Holly E Thurman

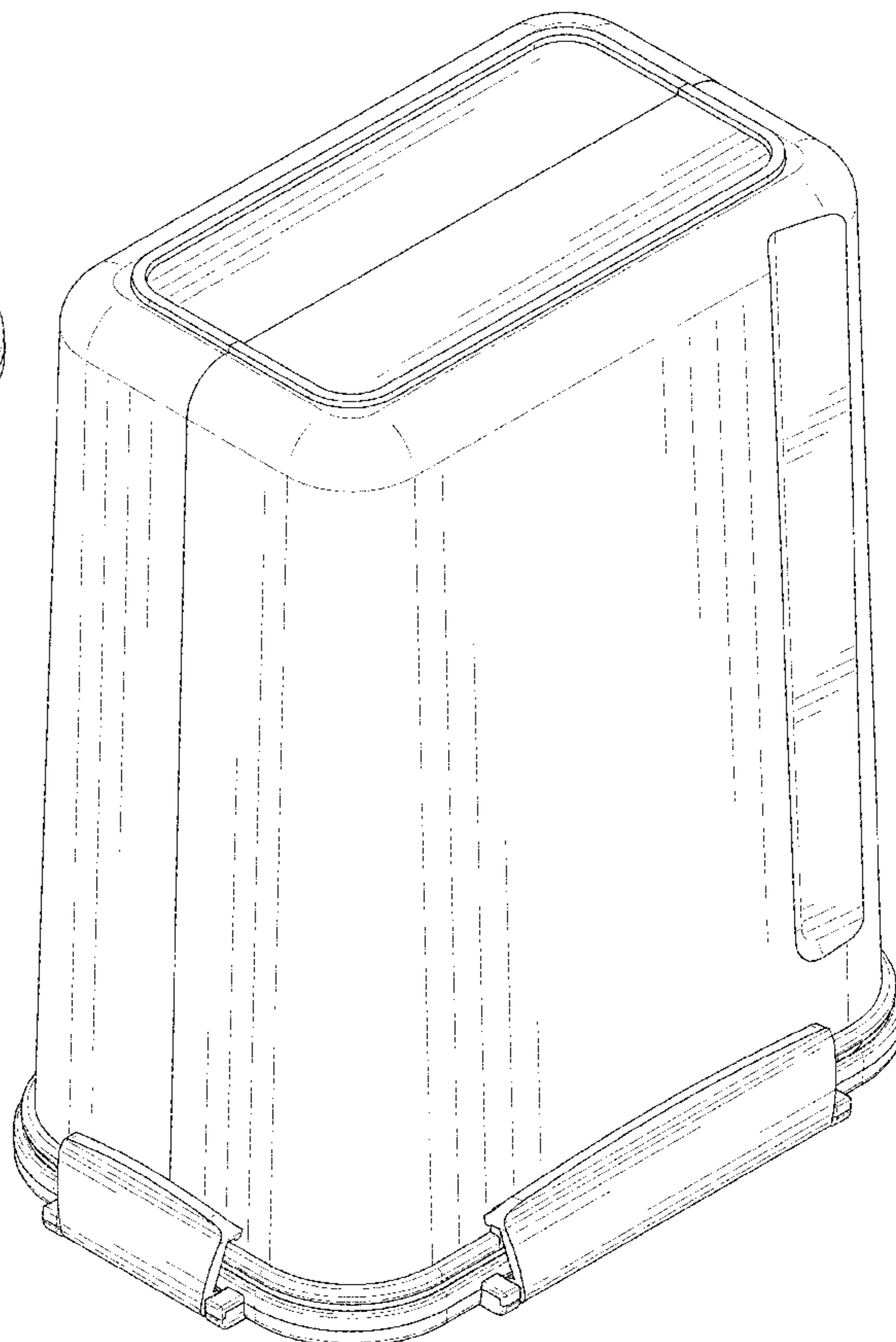
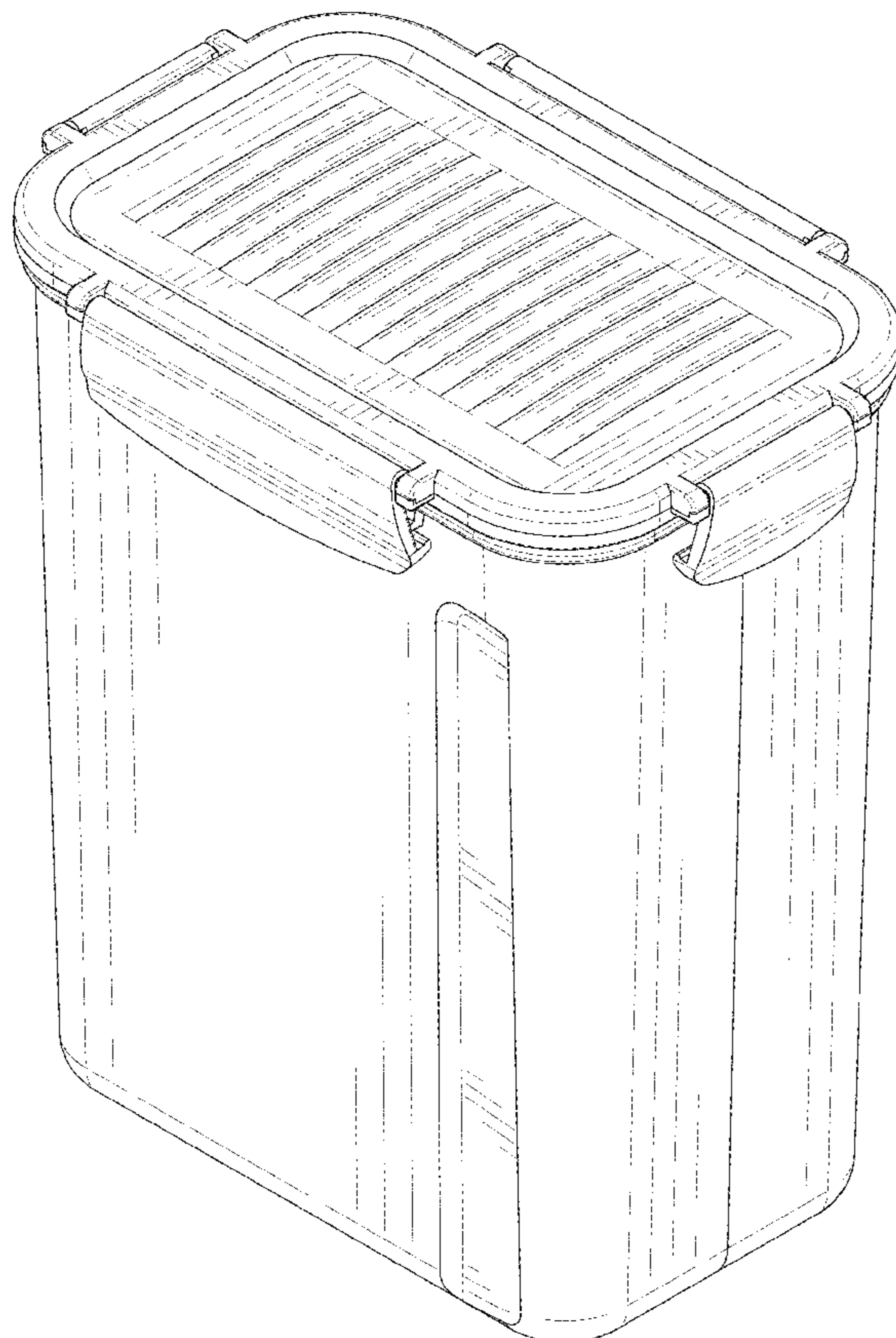
(57) **CLAIM**

The ornamental design for a storage container, as shown and described.

DESCRIPTION

FIG. 1 is a front and top perspective view of a storage container, showing my new design;
FIG. 2 is a rear and bottom perspective view thereof;
FIG. 3 is a front elevational view thereof;
FIG. 4 is a rear elevational view thereof;
FIG. 5 is a left side elevational view thereof;
FIG. 6 is a right side elevational view thereof;
FIG. 7 is a top plan view thereof; and,
FIG. 8 is a bottom plan view thereof.

1 Claim, 8 Drawing Sheets



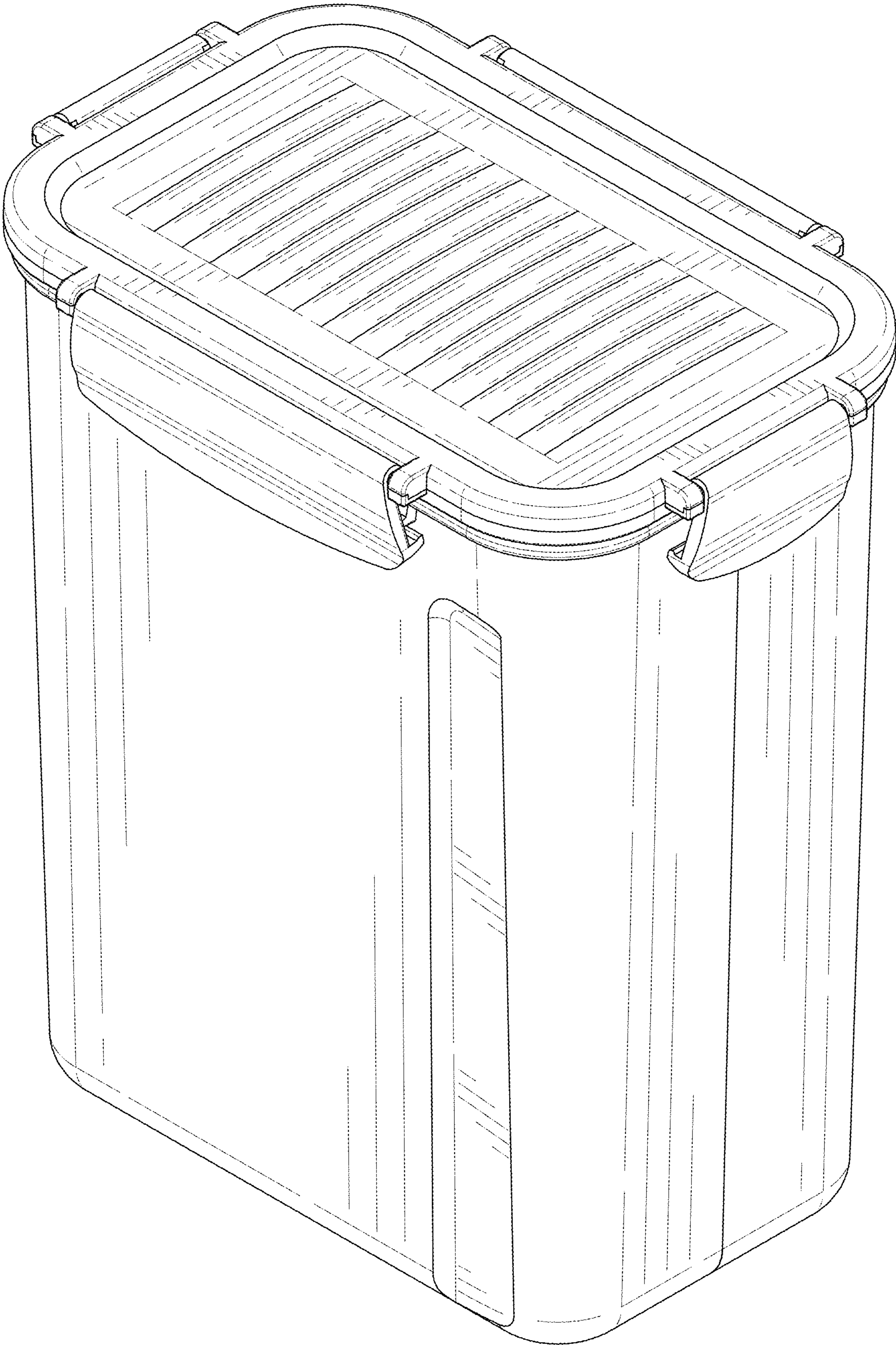


FIG. 1



FIG. 2

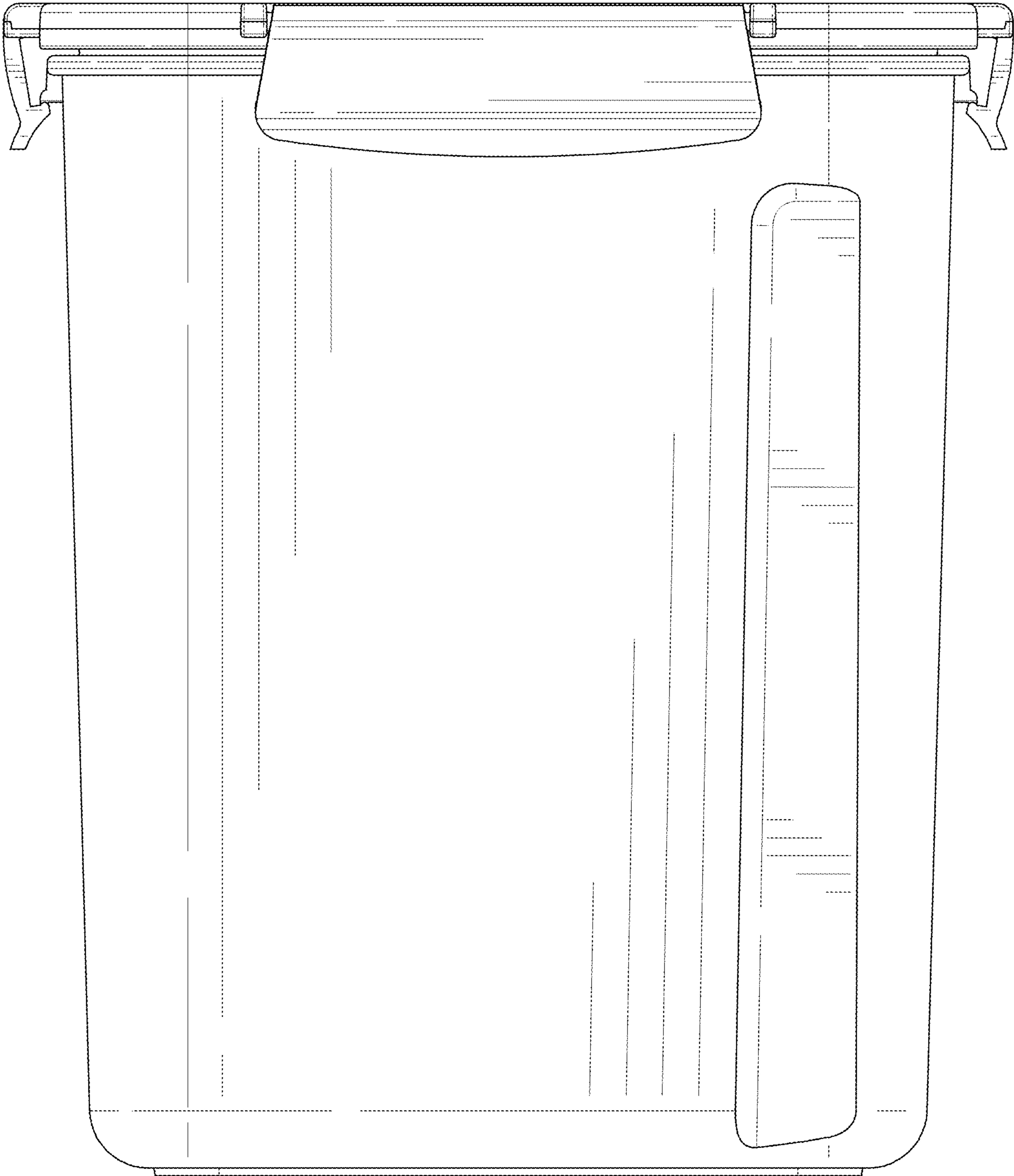


FIG. 3

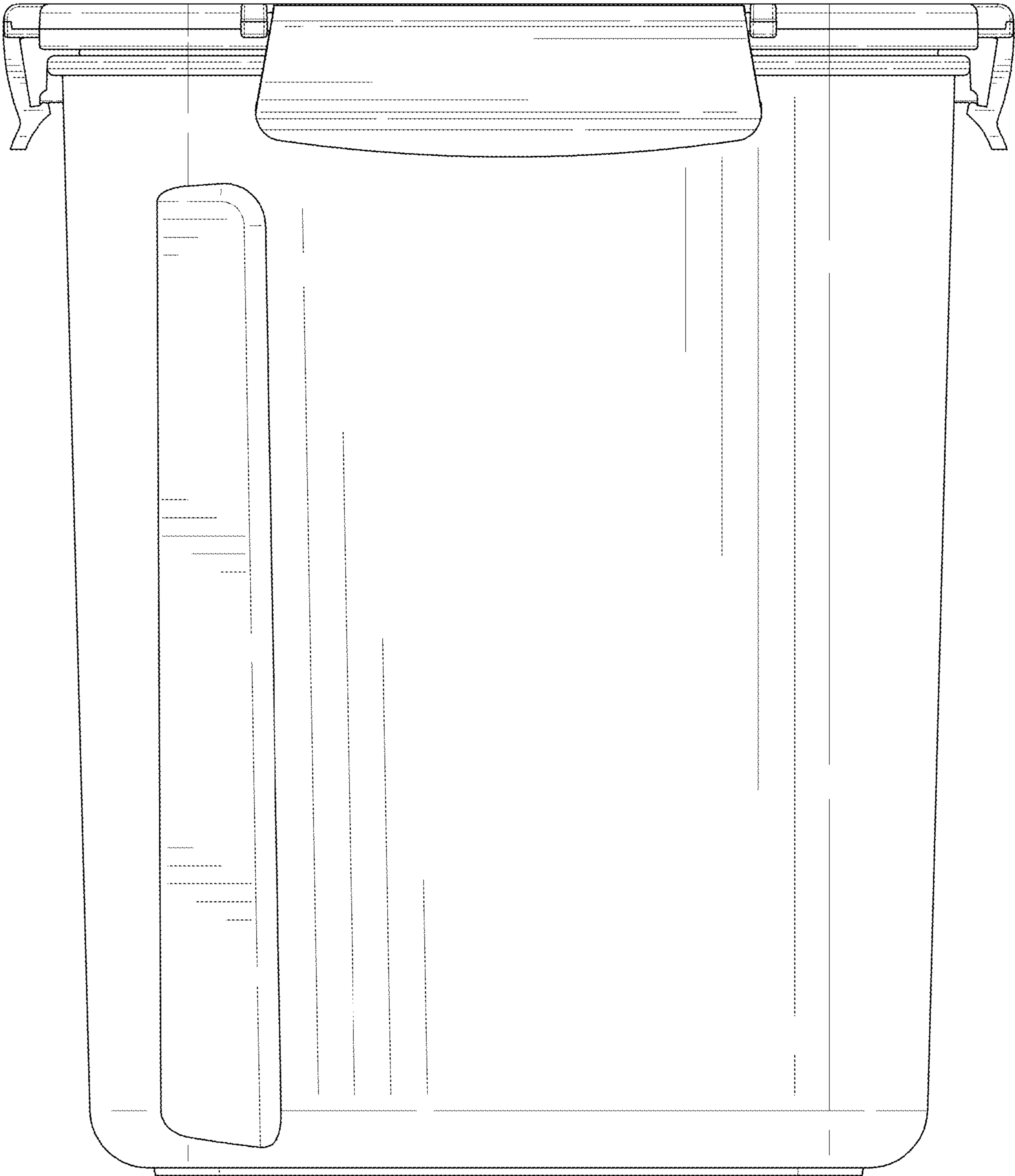


FIG. 4

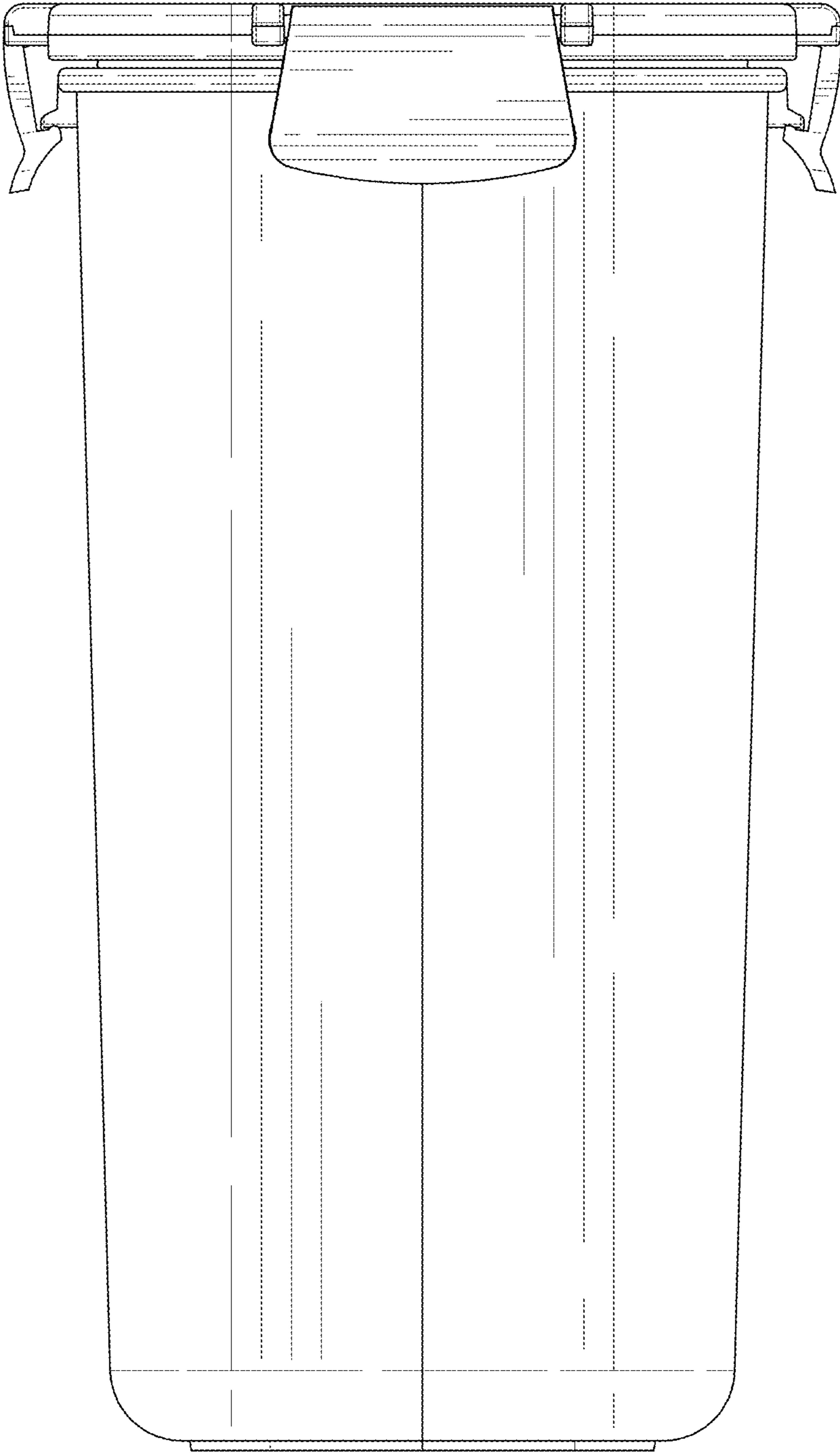


FIG. 5

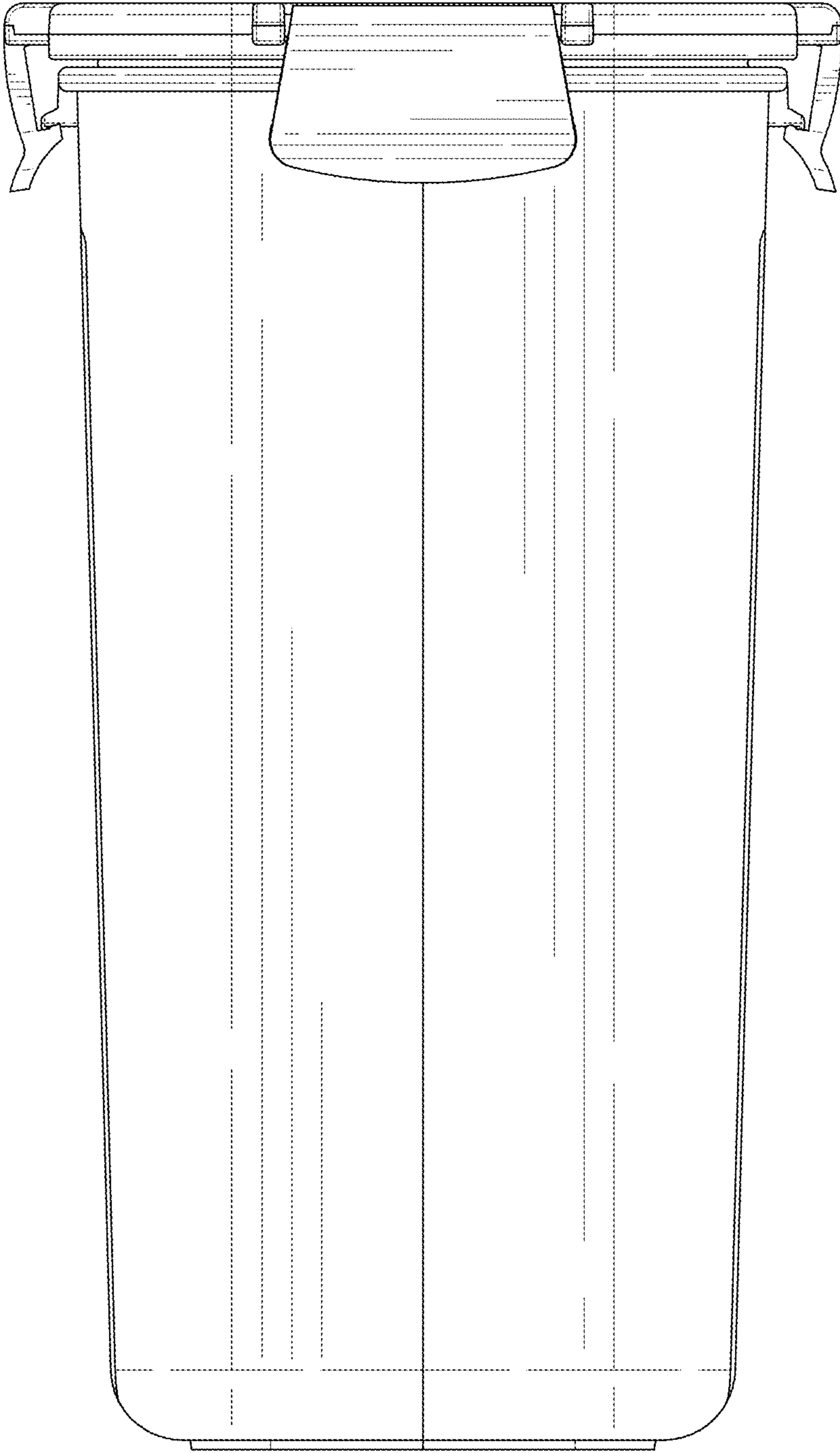


FIG. 6

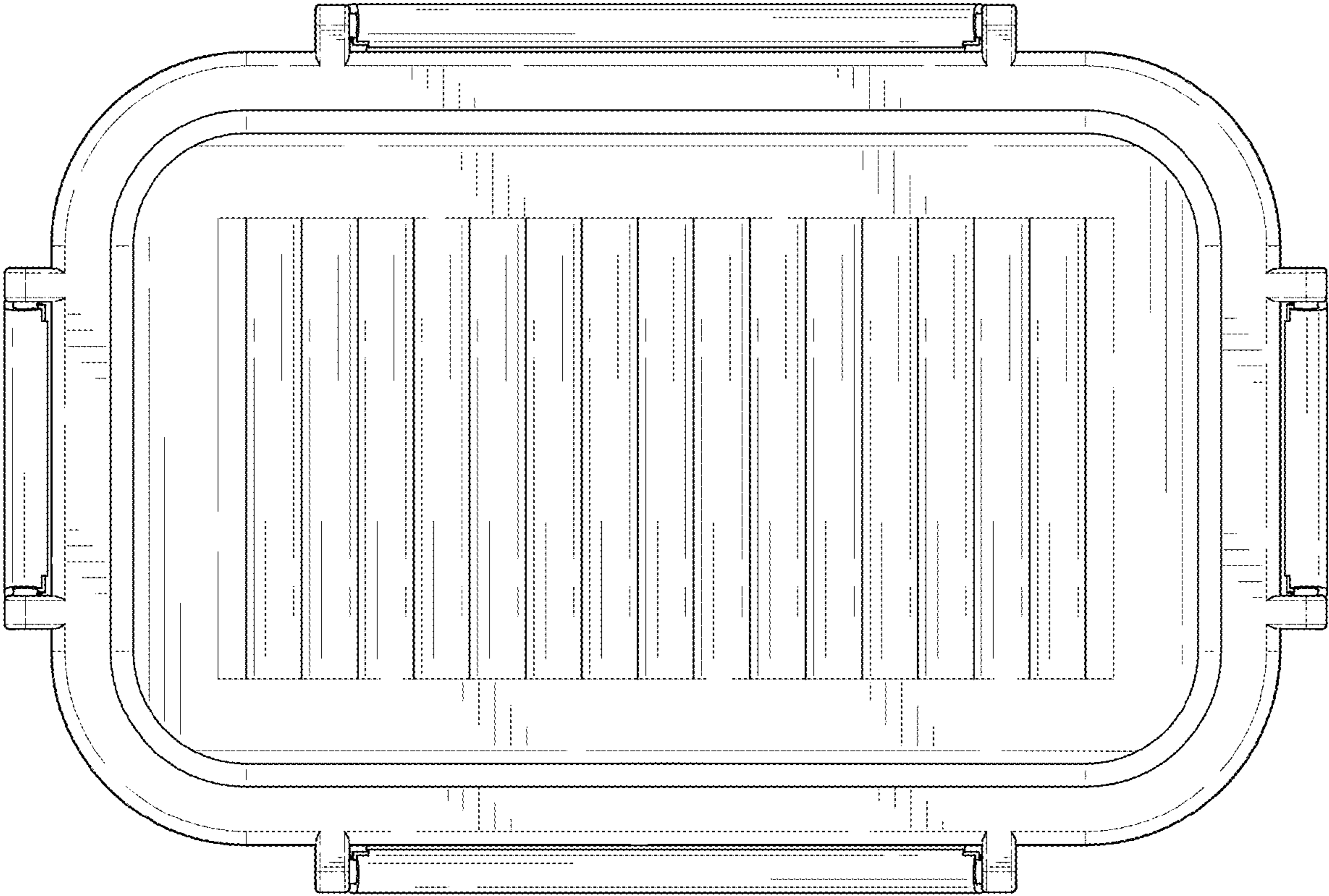


FIG. 7

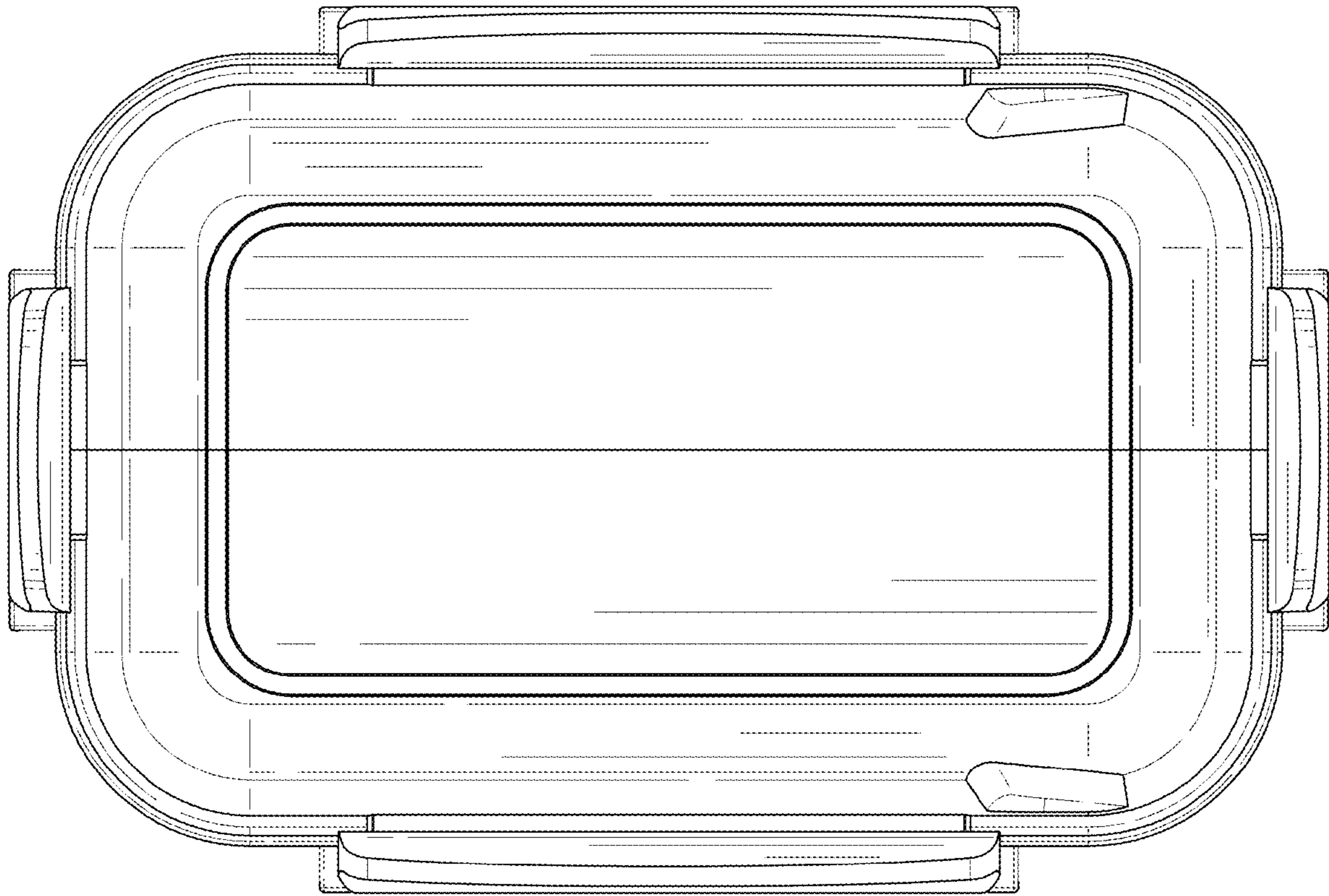


FIG. 8