



US00D929736S

(12) **United States Design Patent** (10) **Patent No.:** **US D929,736 S**
Dai (45) **Date of Patent:** **** Sep. 7, 2021**

(54) **CONTAINER**

D736,570 S 8/2015 Sykes et al.
D767,346 S * 9/2016 Mussio D7/629
D814,920 S * 4/2018 Georgiadis D9/420
(Continued)

(71) Applicant: **ShenZhen YiHong Technology Co., LTD**, Guangdong (CN)

(72) Inventor: **Yi Dai**, ShenZhen (CN)

(73) Assignee: **ShenZhen YiHong Technology CO., LTD**, ShenZhen (CN)

FOREIGN PATENT DOCUMENTS

KR 301020138.000 8/2019

(**) Term: **15 Years**

(21) Appl. No.: **29/744,511**

(22) Filed: **Jul. 29, 2020**

(51) **LOC (13) Cl.** **03-01**

(52) **U.S. Cl.**
USPC **D3/302**

(58) **Field of Classification Search**
USPC D3/201, 205, 242, 273, 274, 275, 276,
D3/279, 281, 282, 284, 292, 294, 295,
D3/296, 297, 299, 301, 302, 901, 903,
D3/905; D9/414, 418, 420-423, 425, 428
CPC A45C 5/04; A45C 11/00; A45C 11/16
See application file for complete search history.

OTHER PUBLICATIONS

“Rubbermaid Modular Food Lids, Space Saving Plastic Storage Containers, 18-Cup, Clear”, published by Rubbermaid, made first available on Amazon.com on Feb. 5, 2013. Sited visited on Jun. 24, 2021 with printout attached herewith. Available from Internet URL: [https://www.amazon.com/Rubbermaid-Modular-Storage-Container-1856059/dp/BOOBEUDXRW/ref=sr_1_4?jchild=1 &keywords=rubbermaid+cereal+18&qid=1624564109&sr=8-4](https://www.amazon.com/Rubbermaid-Modular-Storage-Container-1856059/dp/BOOBEUDXRW/ref=sr_1_4?jchild=1&keywords=rubbermaid+cereal+18&qid=1624564109&sr=8-4).

(Continued)

Primary Examiner — Holly E Thurman
(74) *Attorney, Agent, or Firm* — iPA & iPM

(57) **CLAIM**

The ornamental design for a container, as shown and described.

DESCRIPTION

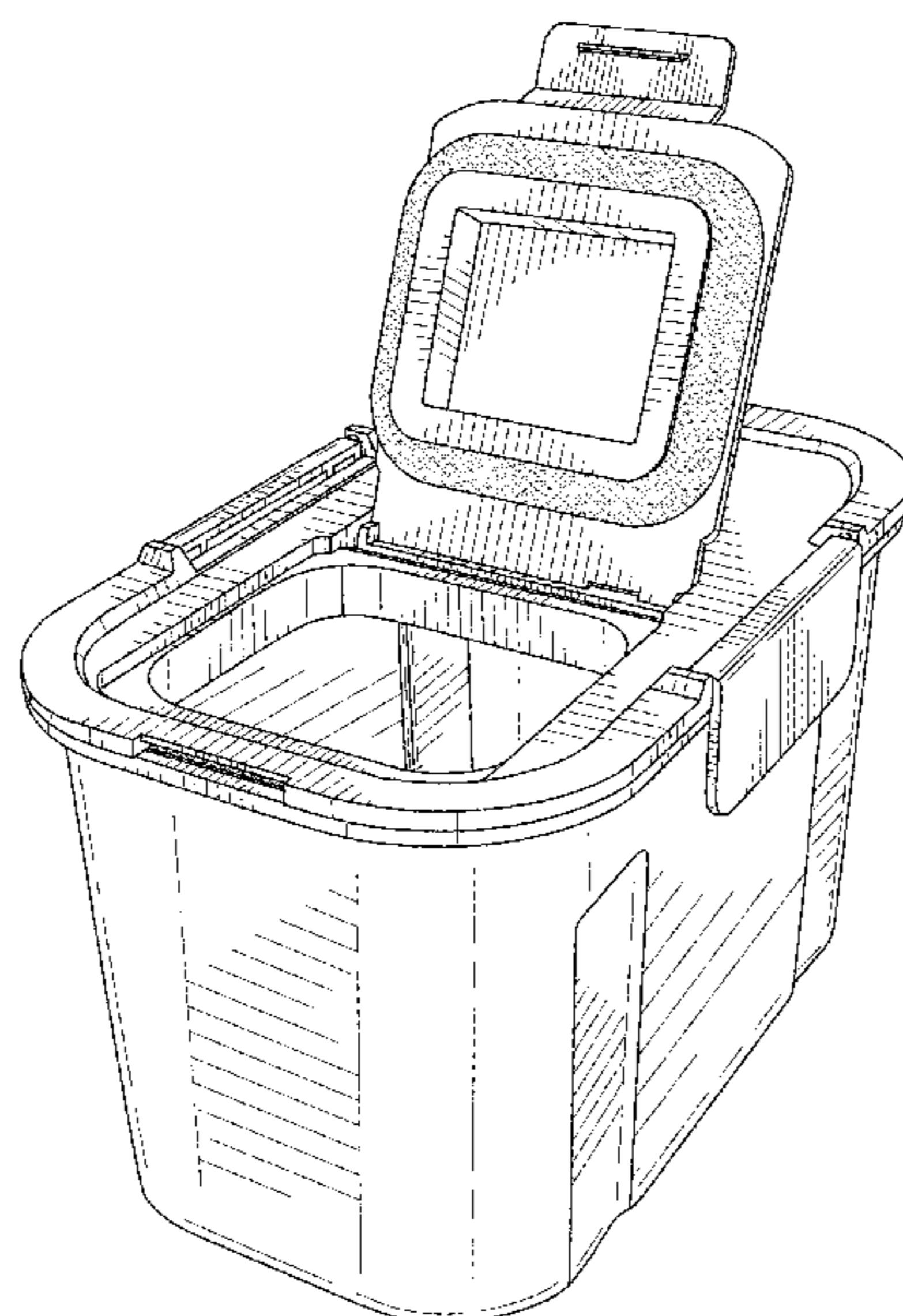
(56) **References Cited**

U.S. PATENT DOCUMENTS

D284,728 S *	7/1986	Trivison	D7/629
D511,655 S *	11/2005	Kim	D7/612
D521,812 S *	5/2006	Kim	D7/629
D540,493 S *	4/2007	Fick	D3/294
D540,992 S *	4/2007	Fick	D3/294
D554,301 S *	10/2007	Fick	D3/294
D554,302 S *	10/2007	Fick	D3/294
D601,387 S	10/2009	Carlson		
D632,932 S *	2/2011	Smyers	D7/629
D651,528 S	1/2012	Robbins, III		
D673,333 S *	12/2012	Duvigneau	D30/133
D674,249 S *	1/2013	Duvigneau	D7/629
D679,958 S *	4/2013	Yang	D7/629
D722,832 S	2/2015	Ra		

FIG. 1 is a first perspective view of a container showing my new design;
FIG. 2 is a top view thereof;
FIG. 3 is a right side view thereof;
FIG. 4 is a front view thereof;
FIG. 5 is a back view thereof;
FIG. 6 is a left side view thereof;
FIG. 7 is a bottom view thereof;
FIG. 8 is a perspective view of the container with a first lid in an opened position; and,
FIG. 9 is a perspective view of the container with a second lid in an opened position.
Drawings are shaded to indicate contrasting surfaces.

1 Claim, 5 Drawing Sheets



(56)

References Cited

U.S. PATENT DOCUMENTS

2007/0045132 A1 3/2007 Anderson
2013/0098934 A1 4/2013 Giraud
2014/0311955 A1 10/2014 Jadick

OTHER PUBLICATIONS

“Komax BioKips original Airtight cereal container (2 Pack) 116.9 Gups 135 ounce | Airtight Food storage containers—BPA—Free Cereal Dispenser | Flour, Sugar, Dry Food Storage Containers with Lids”, published by Komax, image first available on Amazon.com on Jul. 23, 2014. Site visited on Jun. 24, 2021 with printout attached herewith. Available from Internet URL: https://www.amazon.com/Komax-Original-Airtight-Container-Containers/dp/B00M232BC8/ref=sr_1_1?

* cited by examiner

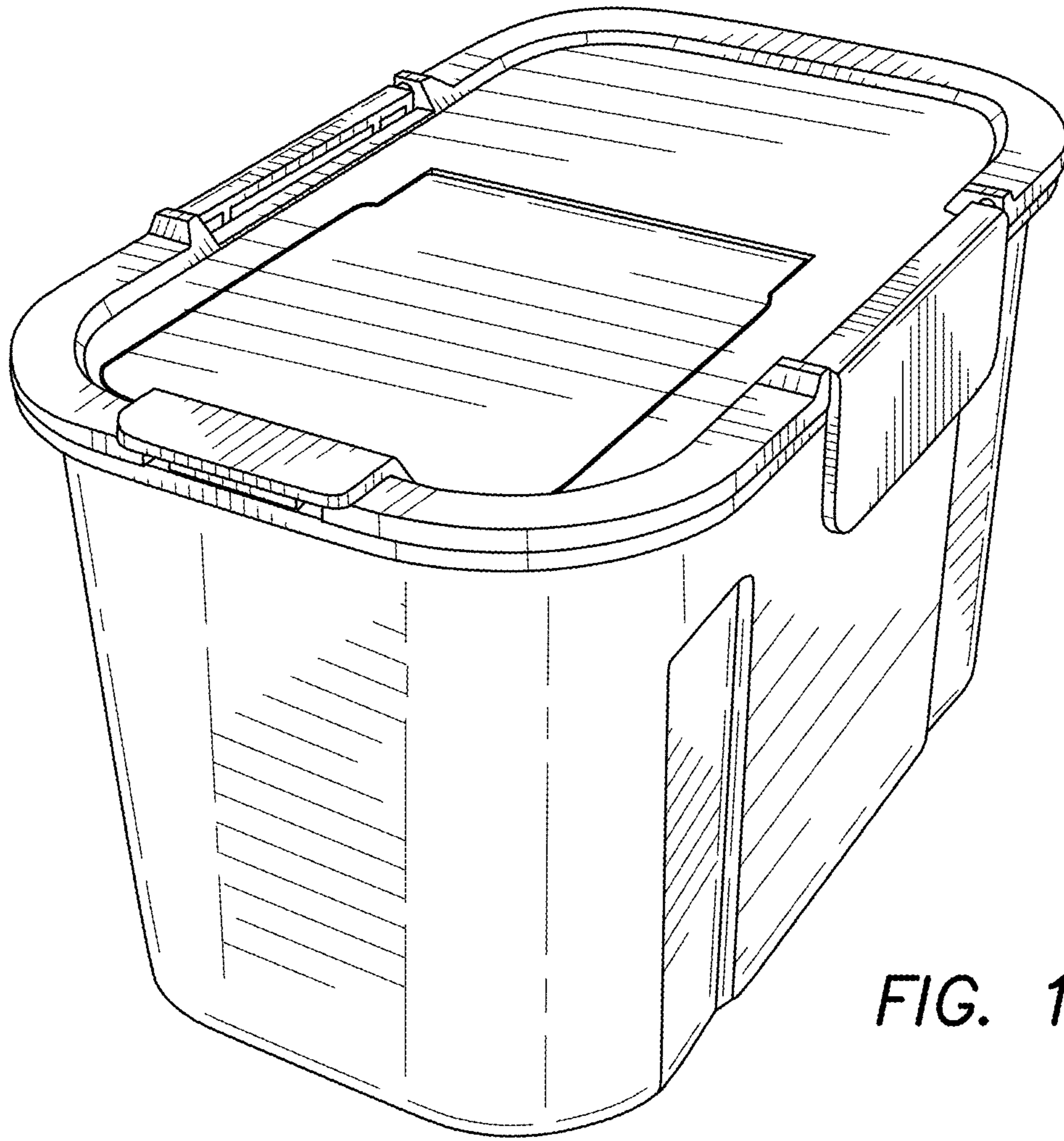


FIG. 1

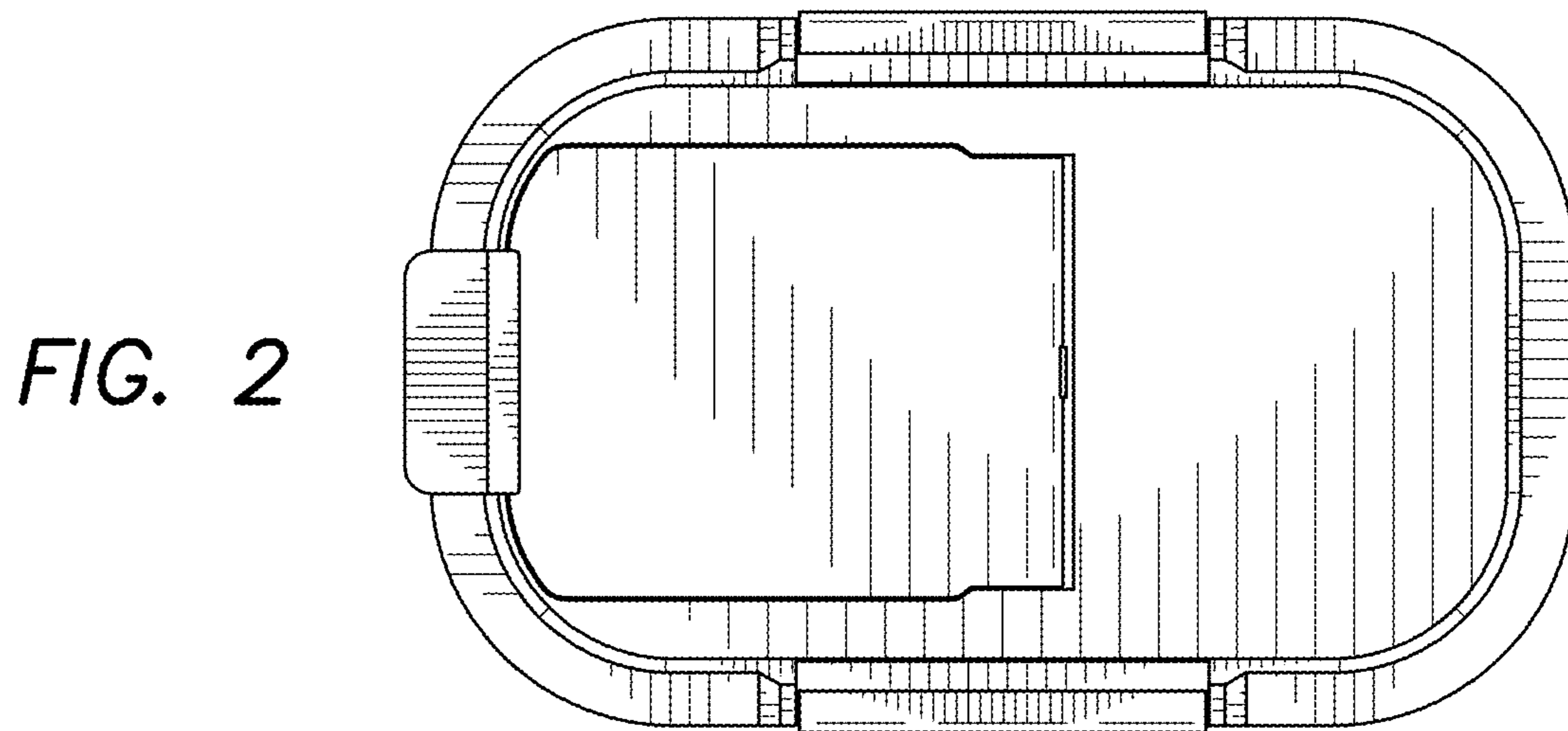


FIG. 2

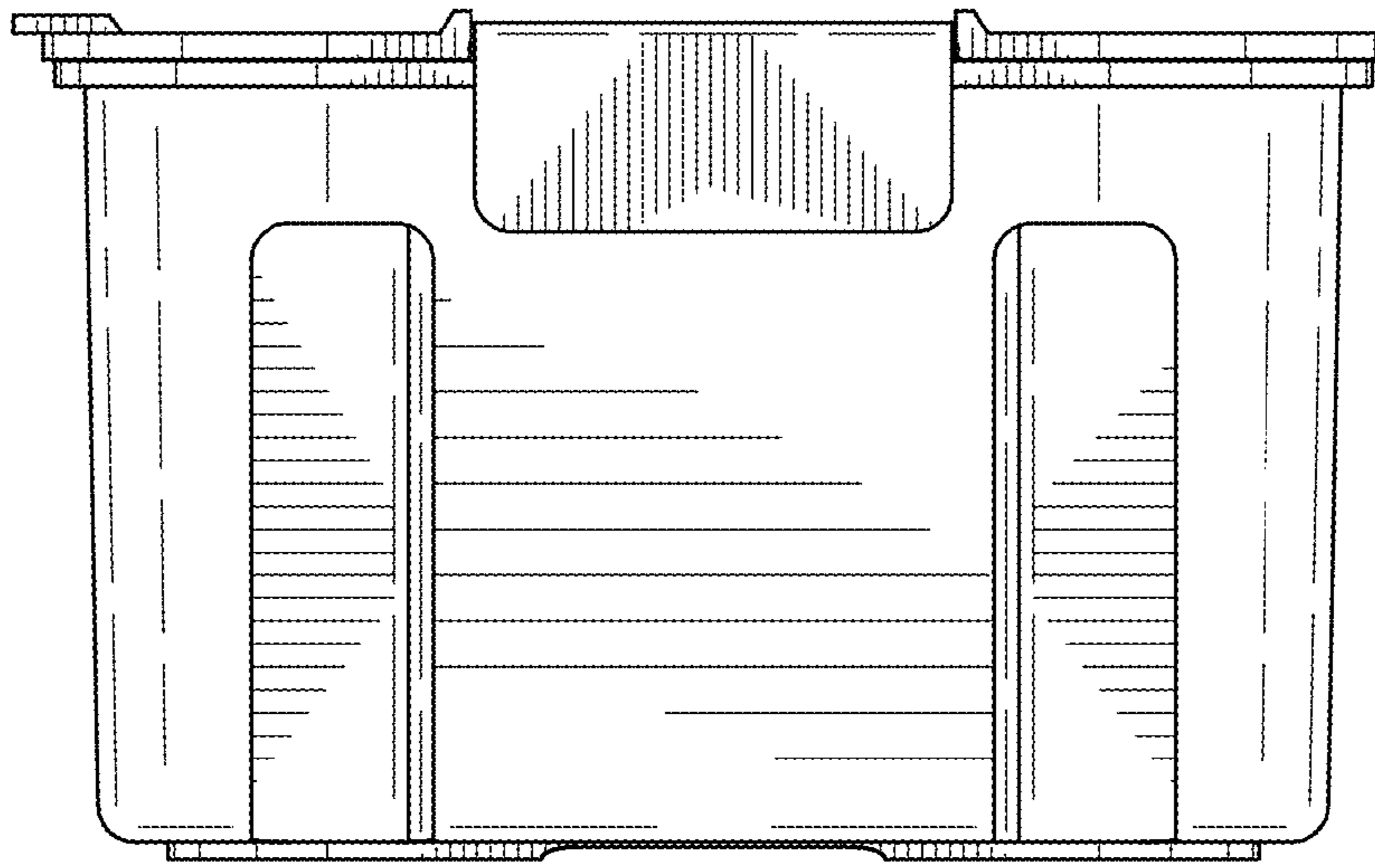


FIG. 3

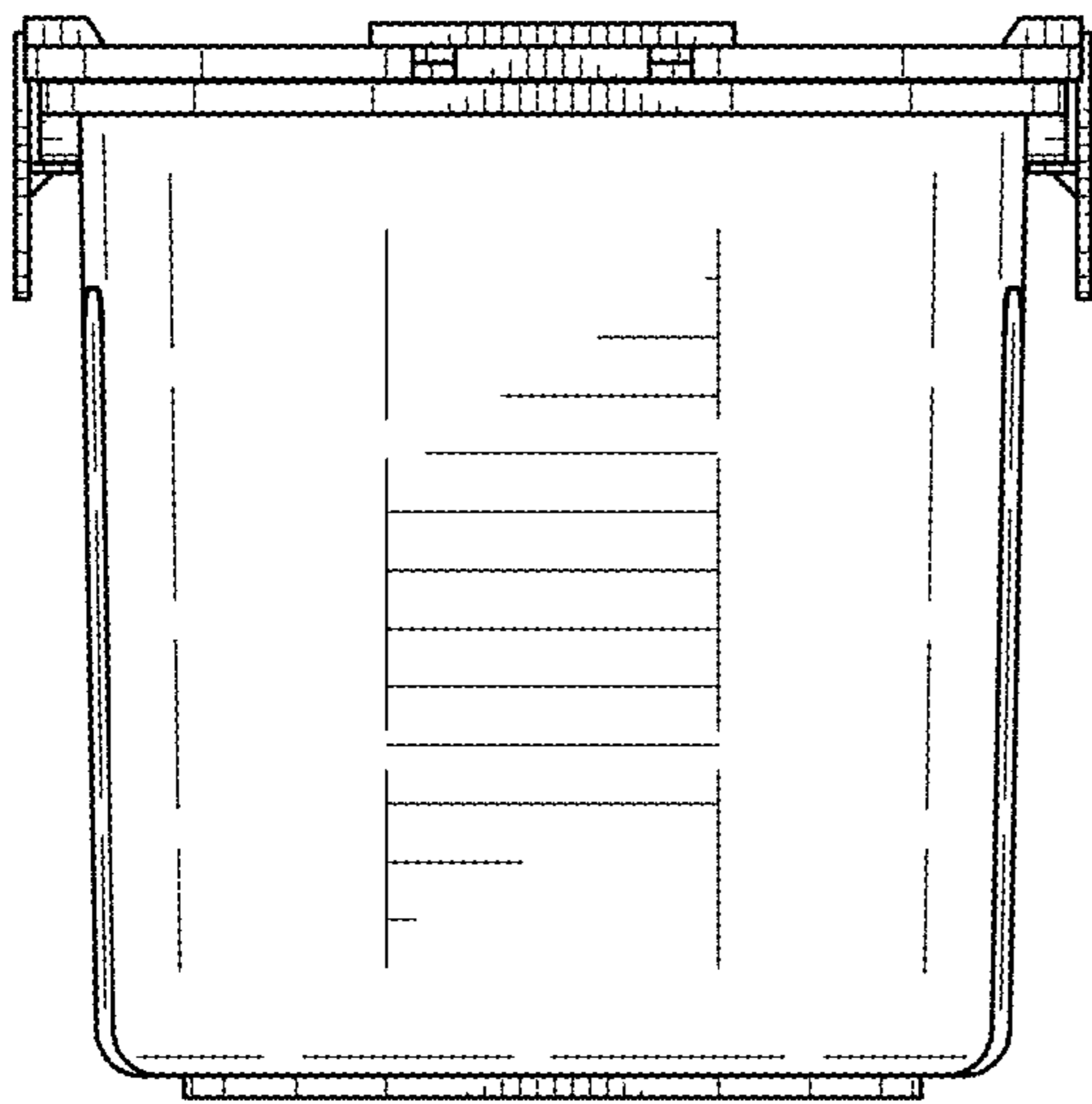


FIG. 4

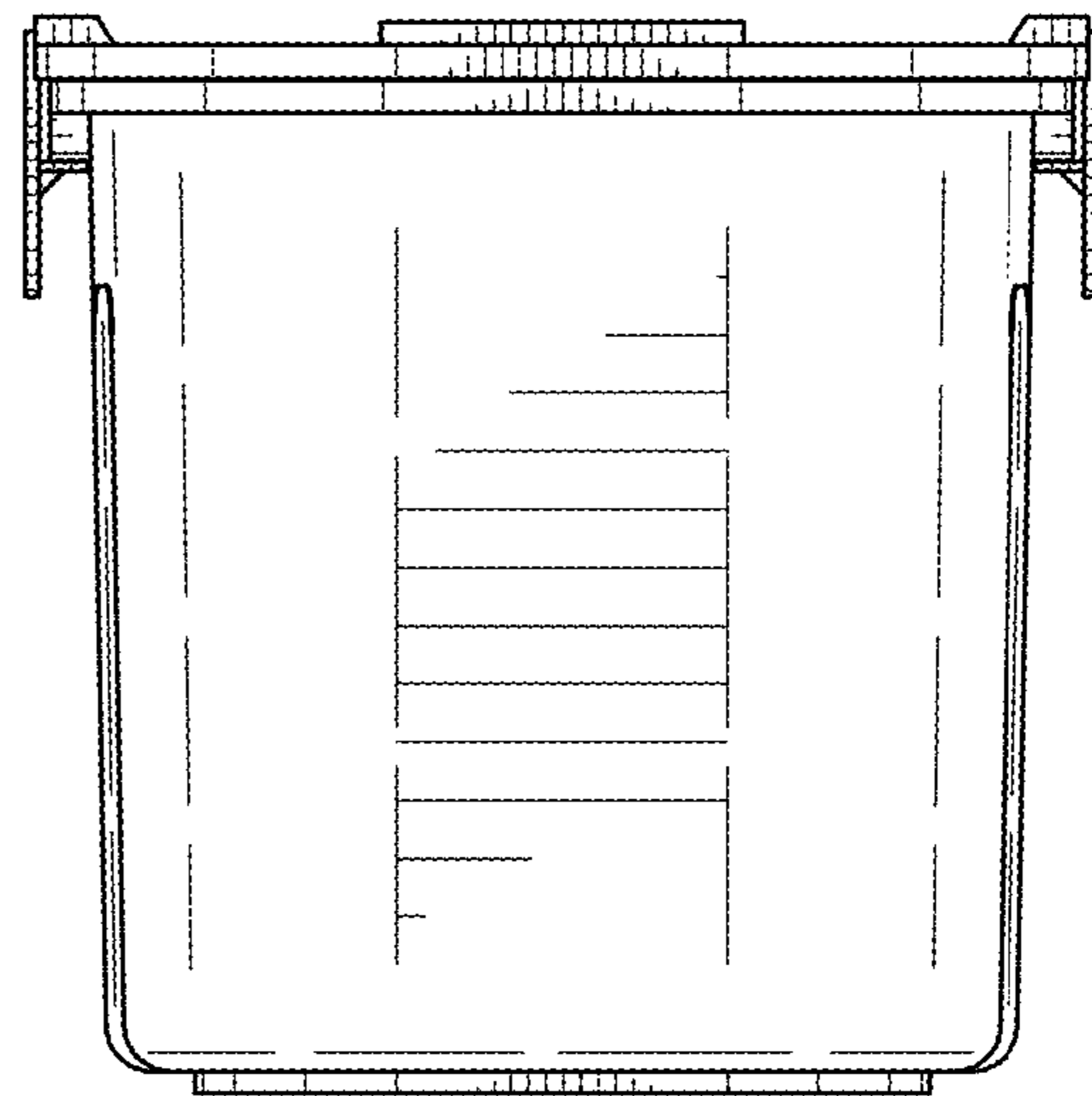


FIG. 5

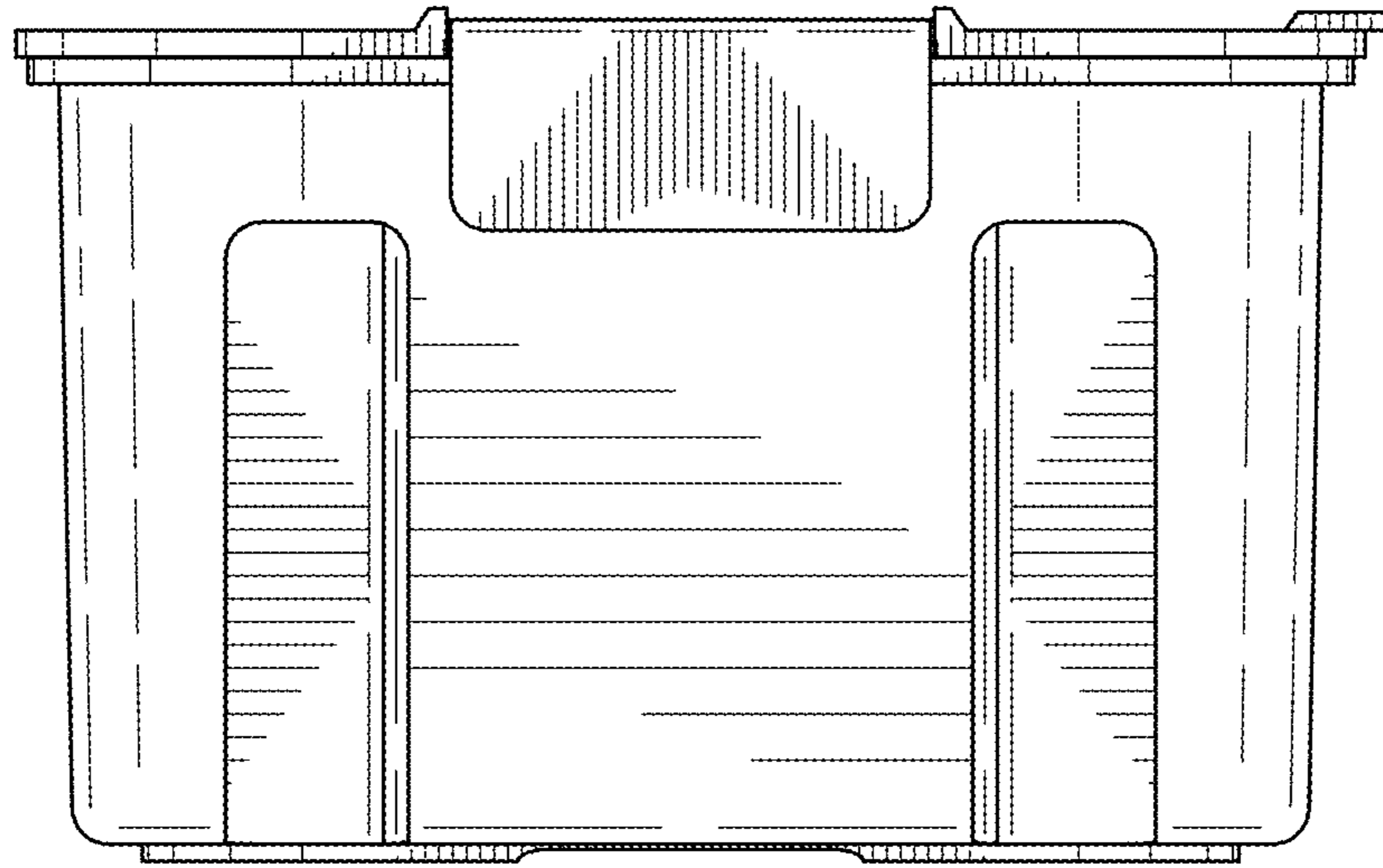


FIG. 6

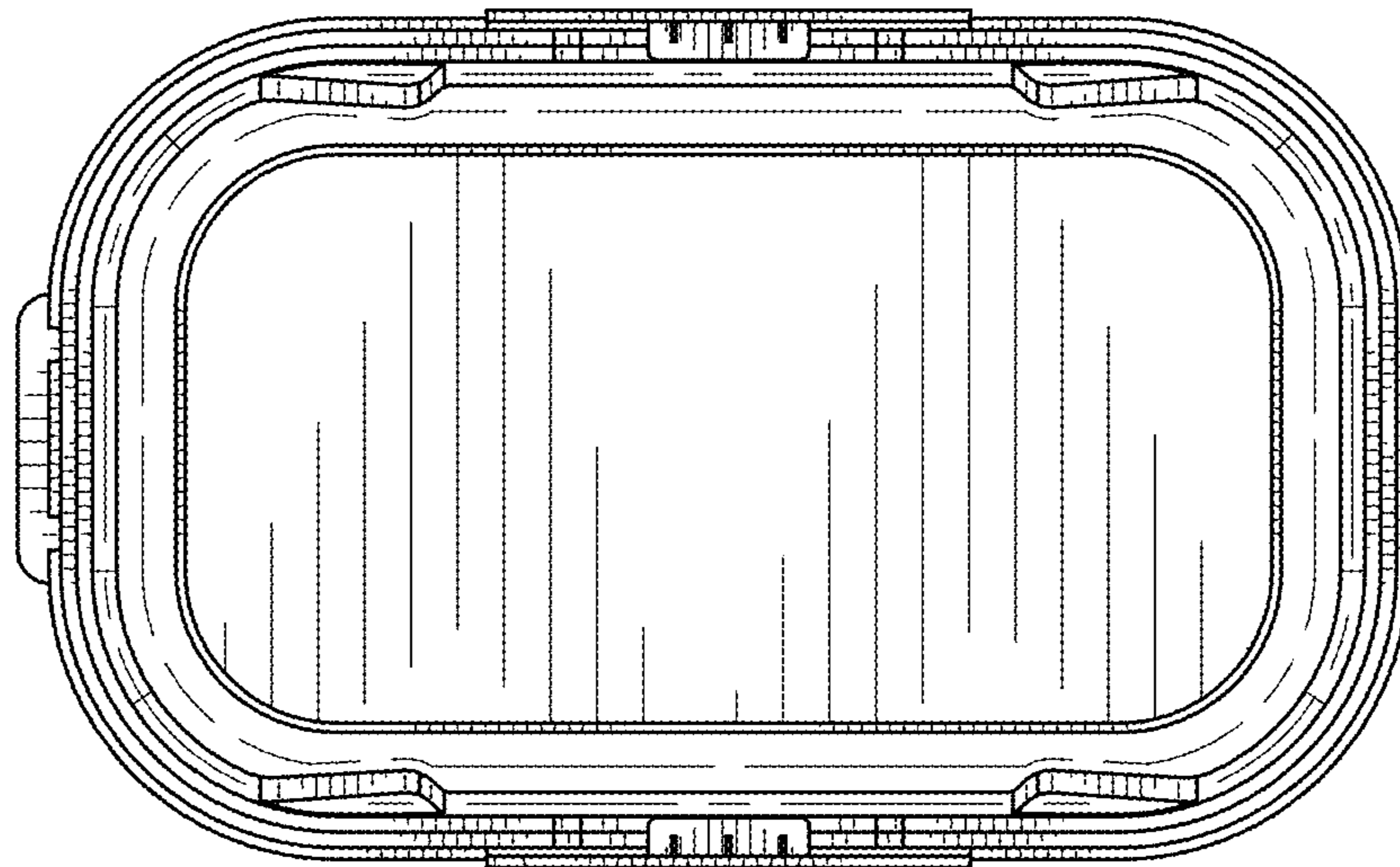


FIG. 7

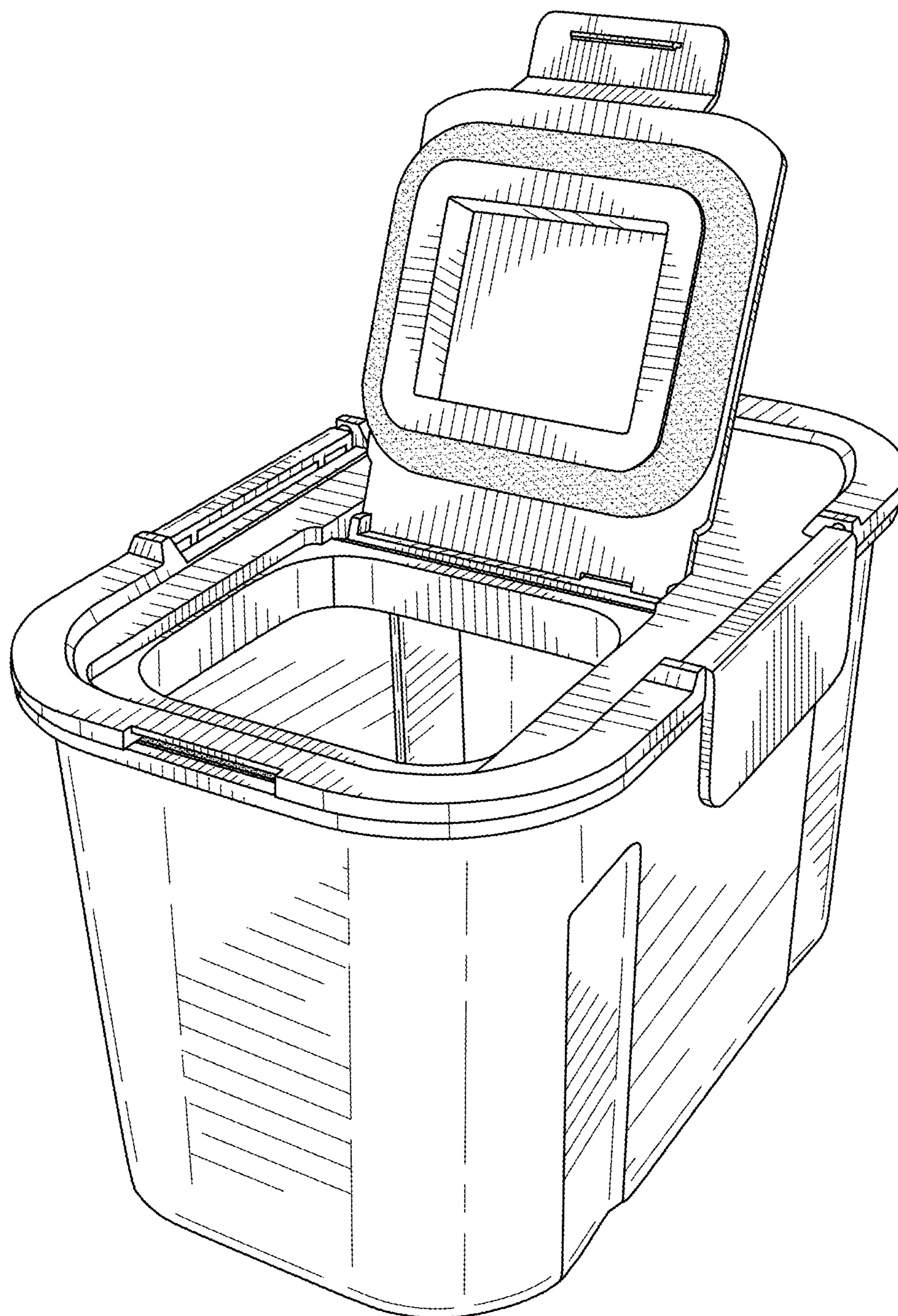


FIG. 8

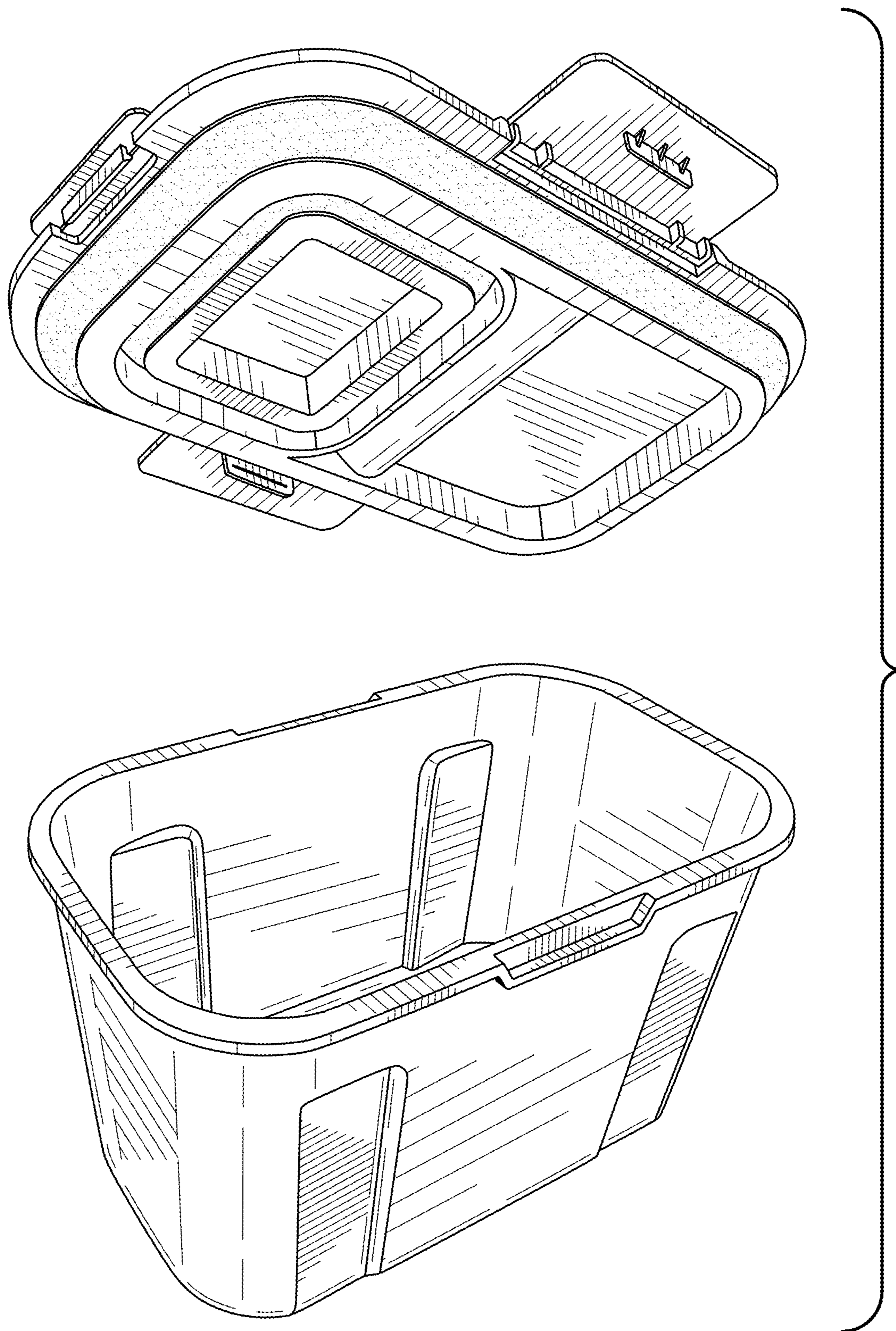


FIG. 9