



US00D929733S

(12) **United States Design Patent** (10) **Patent No.:** **US D929,733 S**  
**Xiang** (45) **Date of Patent:** **\*\* Sep. 7, 2021**

(54) **STORAGE BOX**

OTHER PUBLICATIONS

(71) Applicant: **SHENZHEN BAIRUN XIANGDONG INDUSTRIAL CO., LTD.**, Shenzhen (CN)

Amazon, "CASEMATIX Combination Medicine Lock Box . . . ", First on sale Sep. 22, 2020. (<https://www.amazon.com/CASEMATIX-Combination-Customizable-Medications-Prescriptions/dp/B08JT6Q24J>) (Year: 2020).\*

(72) Inventor: **Weiwei Xiang**, Shenzhen (CN)

(Continued)

(73) Assignee: **SHENZHEN BAIRUN XIANGDONG INDUSTRIAL CO., LTD.**, Shenzhen (CN)

*Primary Examiner* — April Rivas

(\*\*) Term: **15 Years**

(57) **CLAIM**

The ornamental design for a storage box, as shown and described.

(21) Appl. No.: **29/769,419**

**DESCRIPTION**

(22) Filed: **Feb. 5, 2021**

(51) **LOC (13) Cl.** ..... **03-01**

(52) **U.S. Cl.**

USPC ..... **D3/276; D3/203.1**

(58) **Field of Classification Search**

USPC ..... D3/201, 217, 273, 276, 279, 283, 285, D3/289, 290, 900, 902, 905, 257, 258, D3/254, 294, 272, 203.1

CPC ..... A45C 2003/008; A45C 2005/035; A45C 7/009; A45C 13/02; A45C 2013/025; A45C 2013/026; A45C 13/18; B25H 3/02; C05F 17/95

See application file for complete search history.

FIG. 1 is a perspective view of a first embodiment of a storage box showing my new design; FIG. 2 is another perspective view thereof; FIG. 3 is a front elevational view thereof; FIG. 4 is a rear elevational view thereof; FIG. 5 is a left side elevational view thereof; FIG. 6 is a right side elevational view thereof; FIG. 7 is a top plan view thereof; FIG. 8 is a bottom plan view thereof; FIG. 9 is an enlarged view of portion 9 shown in FIG. 1; FIG. 10 is a perspective view of a second embodiment of the storage box showing my new design; FIG. 11 is another perspective view thereof; FIG. 12 is a front elevational view thereof; FIG. 13 is a rear elevational view thereof; FIG. 14 is a left side elevational view thereof; FIG. 15 is a right side elevational view thereof; FIG. 16 is a top plan view thereof; FIG. 17 is a bottom plan view thereof; and, FIG. 18 is an enlarged view of portion 18 shown in FIG. 10. The broken lines in the drawings depict boundaries of the storage box that form no part of the claimed design. The dash-dot lines illustrate the bounds from which the enlarged views are taken and form no part of the claimed design.

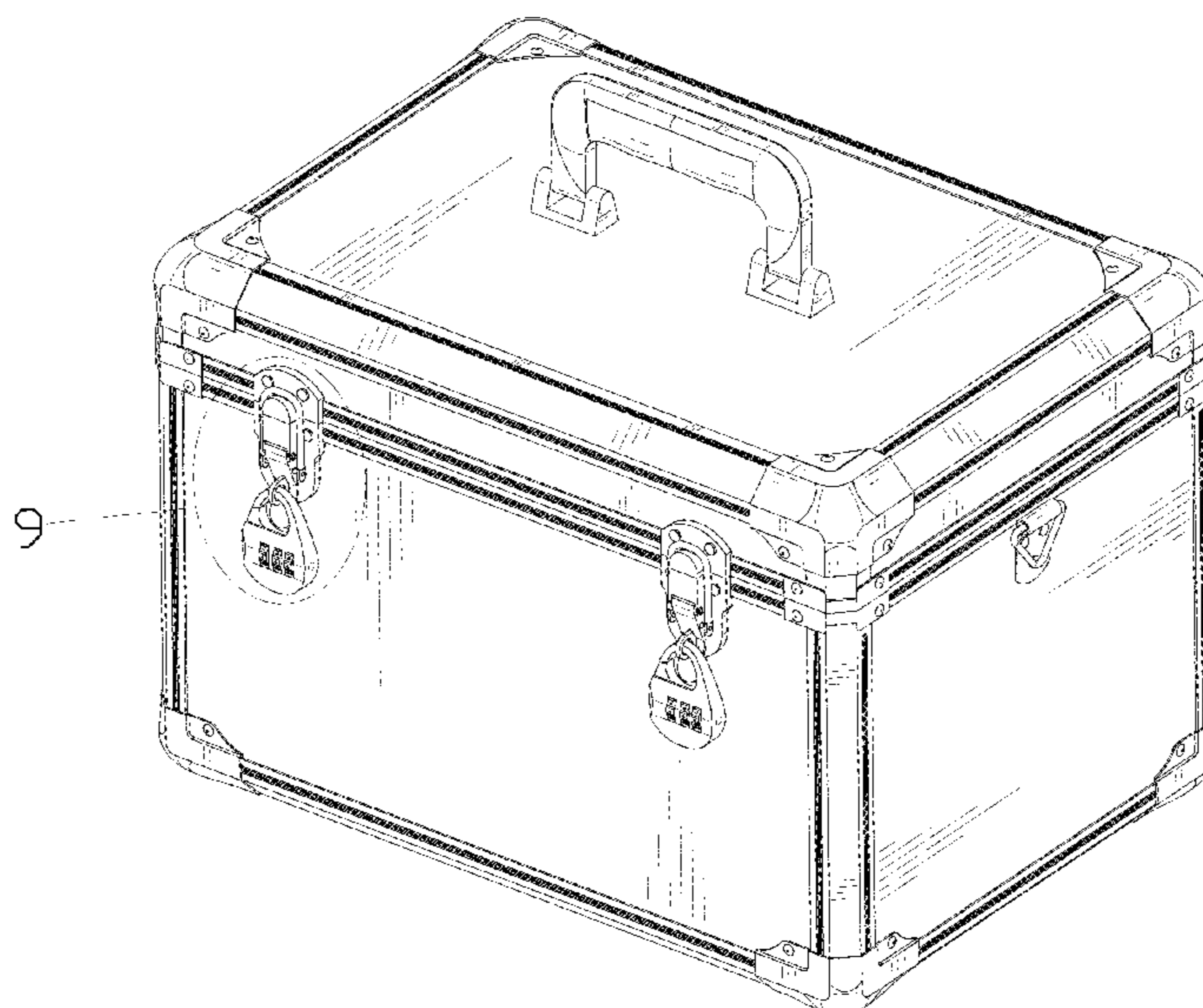
(56) **References Cited**

U.S. PATENT DOCUMENTS

D445,568 S \* 7/2001 Lippisch ..... D3/273  
D518,708 S \* 4/2006 Ohayon ..... D3/298  
D643,628 S \* 8/2011 Monarch ..... D3/302  
D676,238 S \* 2/2013 Wu ..... D3/294  
D719,731 S \* 12/2014 Burgess ..... D3/302  
D777,428 S \* 1/2017 Hsu ..... D3/273  
D778,608 S \* 2/2017 Hsu ..... D3/294

(Continued)

**1 Claim, 18 Drawing Sheets**



(56)

**References Cited**

U.S. PATENT DOCUMENTS

D800,989 S 10/2017 Lucido  
D838,479 S \* 1/2019 Felsenthal ..... D3/294  
D841,980 S \* 3/2019 Hsu ..... D3/273  
D851,933 S \* 6/2019 Hsu ..... D3/294  
D906,669 S 1/2021 Kuhls  
2021/0154824 A1 \* 5/2021 Barton ..... A45C 13/02

OTHER PUBLICATIONS

Amazon, “Buyineast Combination Lock Box . . .”, First on sale Aug. 7, 2020. (<https://www.amazon.com/Buyineast-Combination-Medicine-Medication-Individual/dp/B08FCYX5ZD?th=1>) (Year: 2020).\*

Amazon, “Vaultz Locking Medicine Box with Combination Lock . . .”, First on sale Nov. 8, 2018. (<https://www.amazon.com/Vaultz-Locking-Medicine-Black-Combination/dp/B07KBFNZC3/>) (Year: 2018).\*

\* cited by examiner

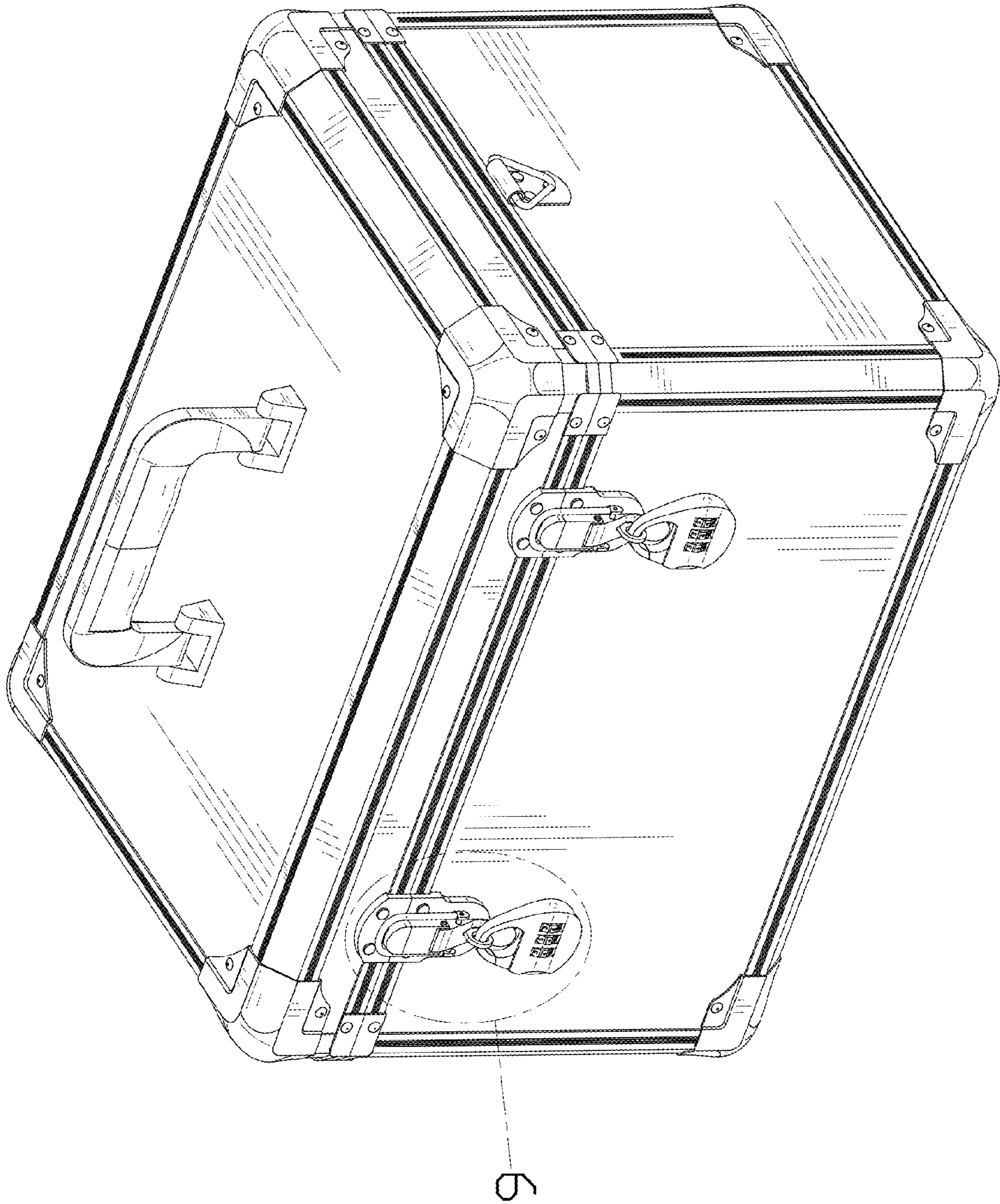


FIG. 1

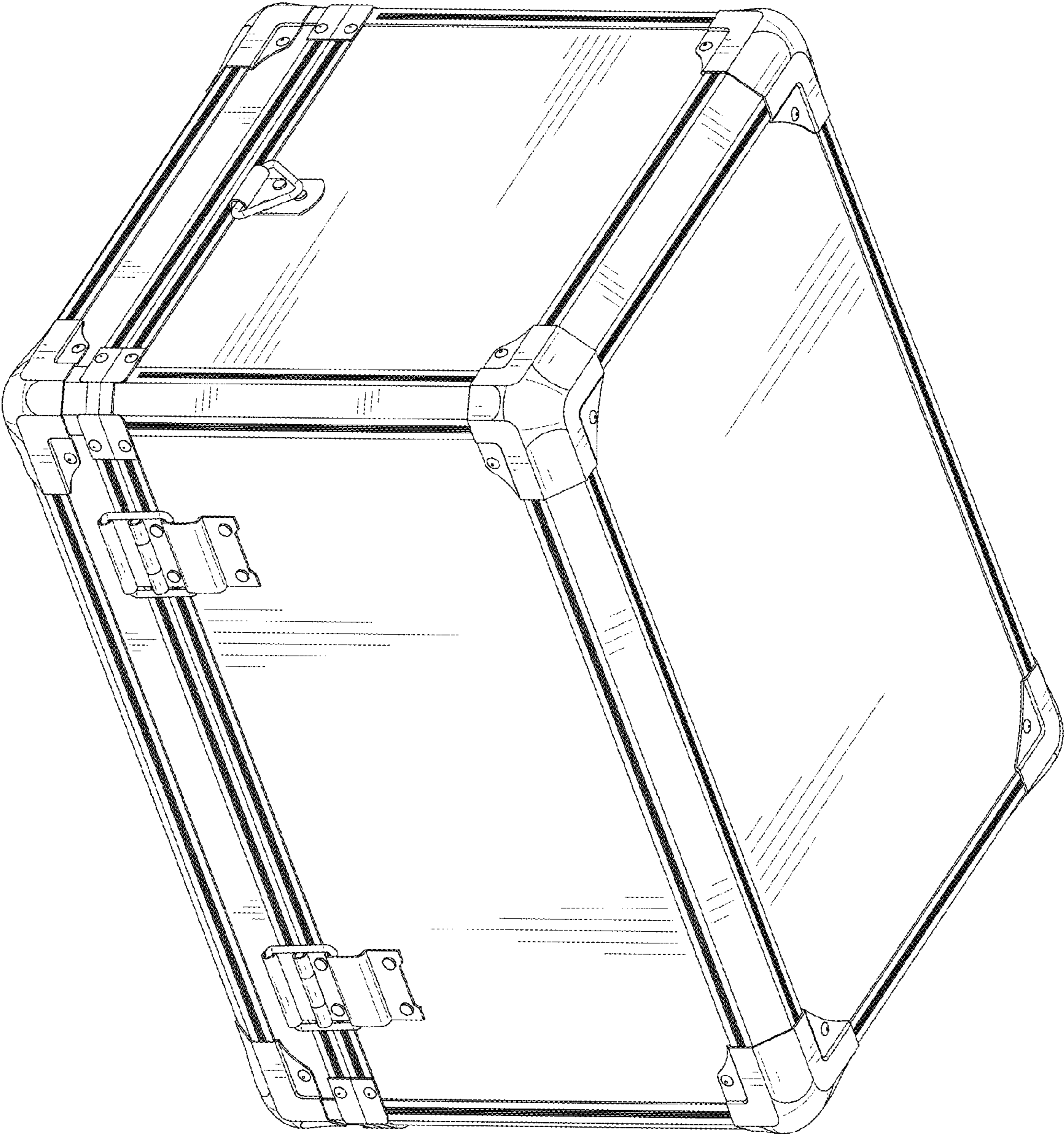


FIG. 2

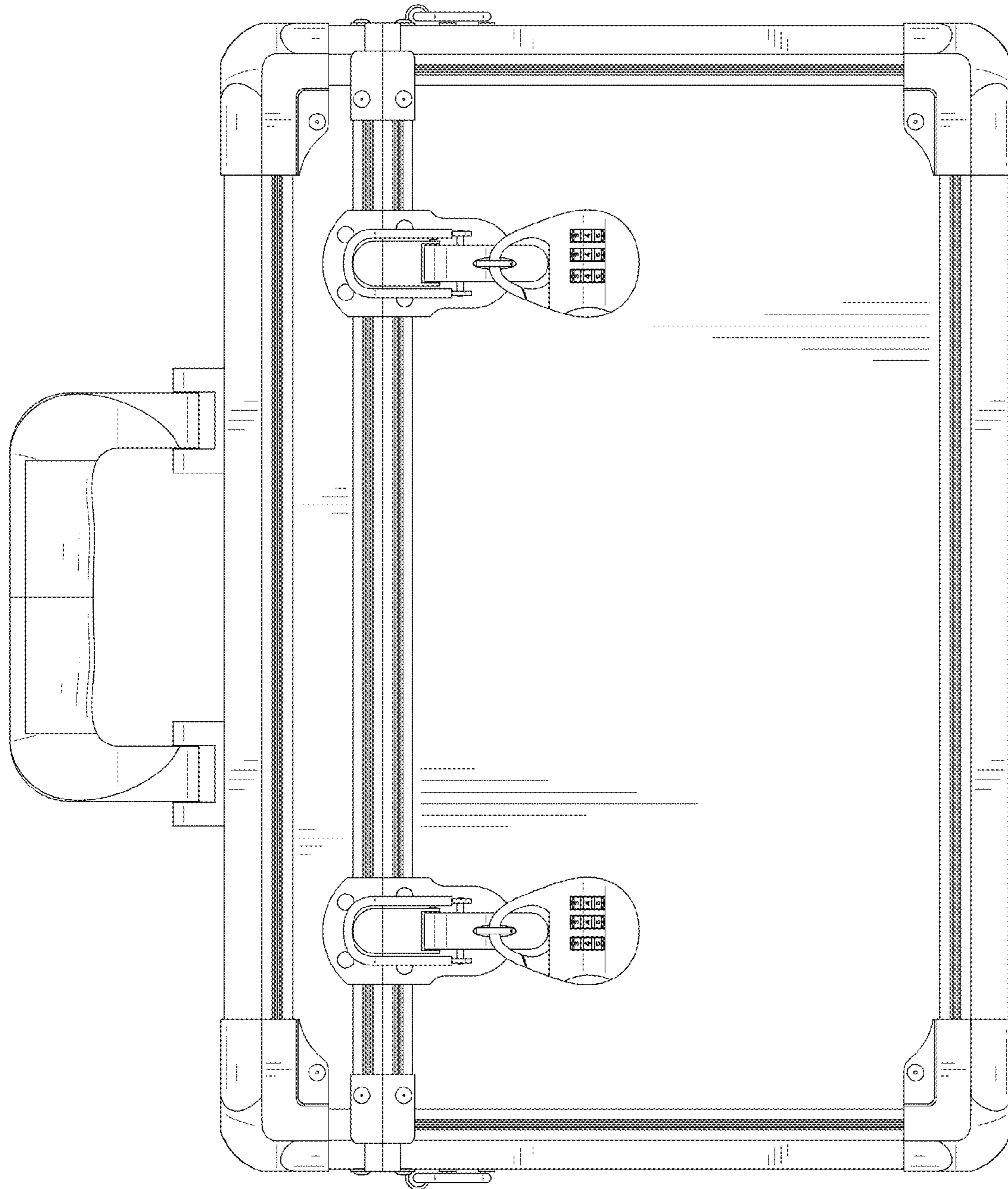


FIG. 3

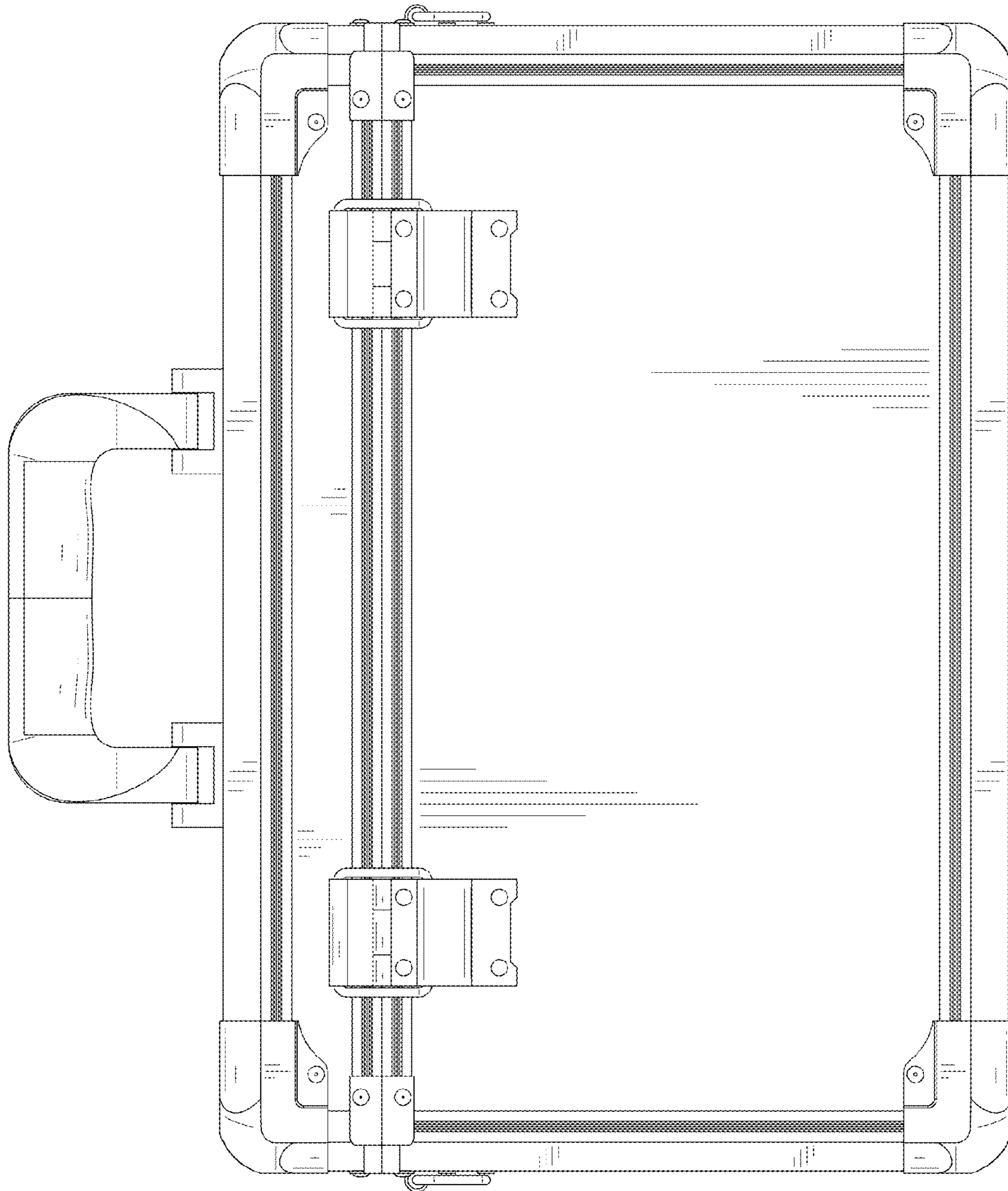


FIG. 4

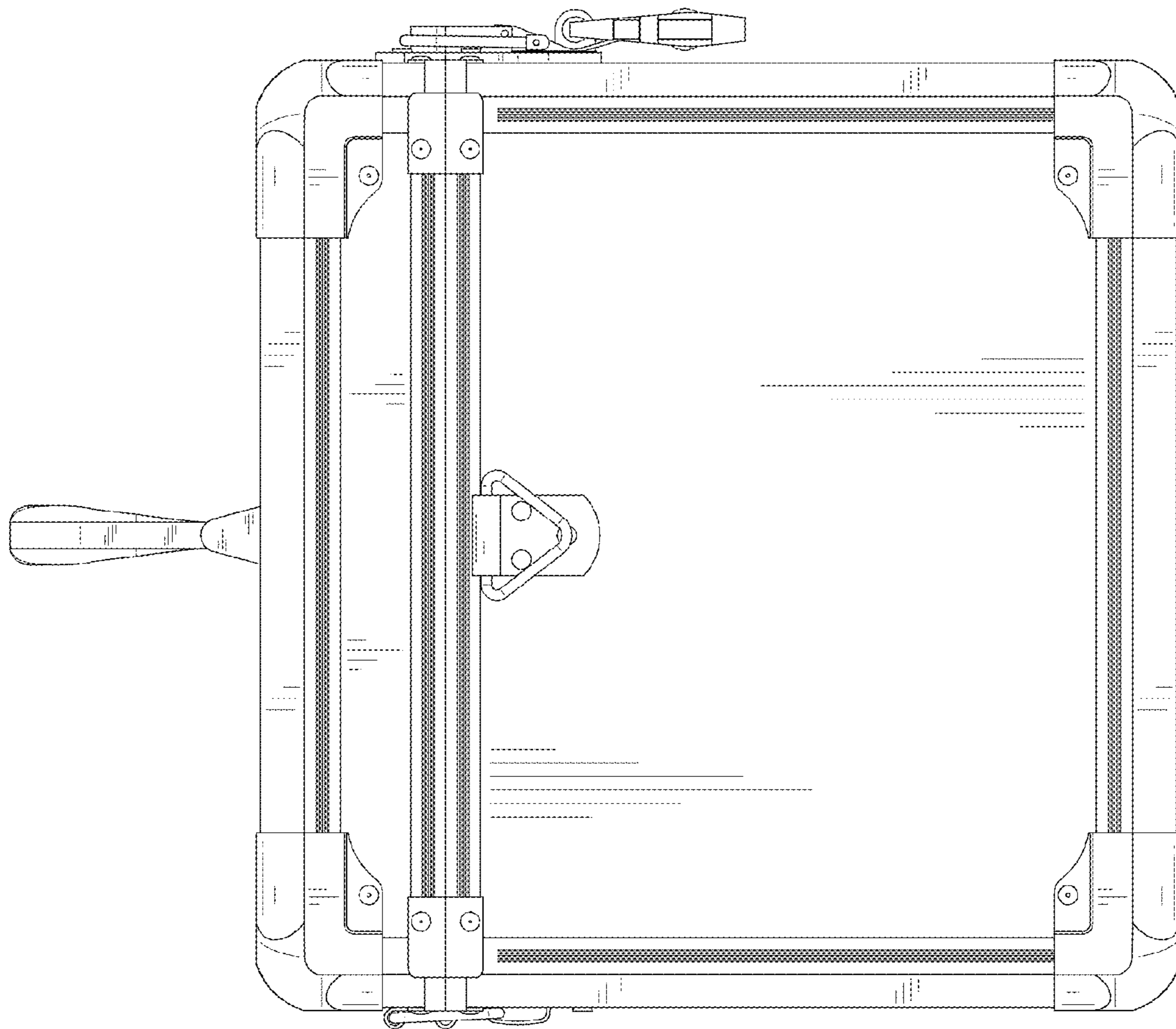


FIG. 5

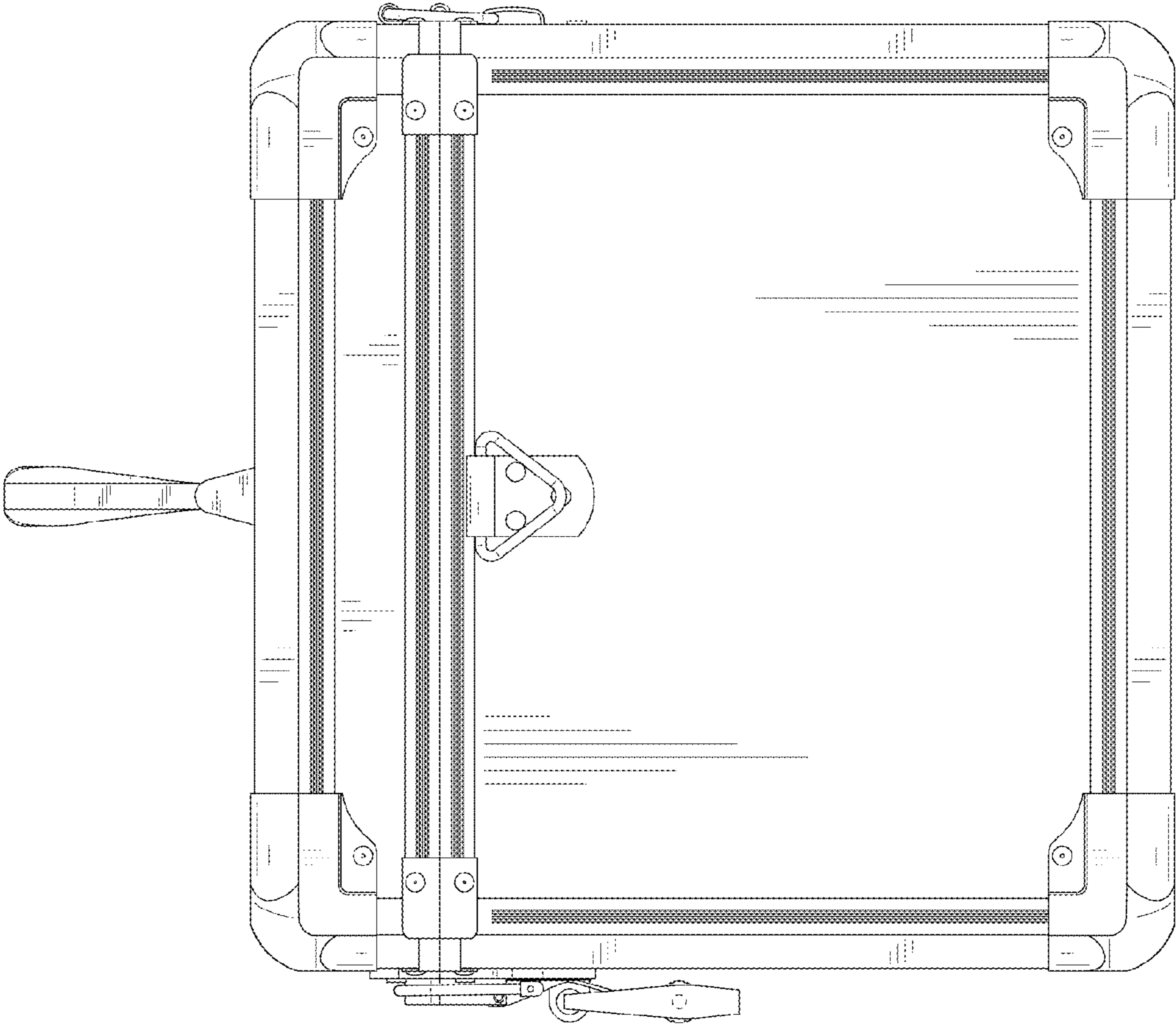


FIG. 6



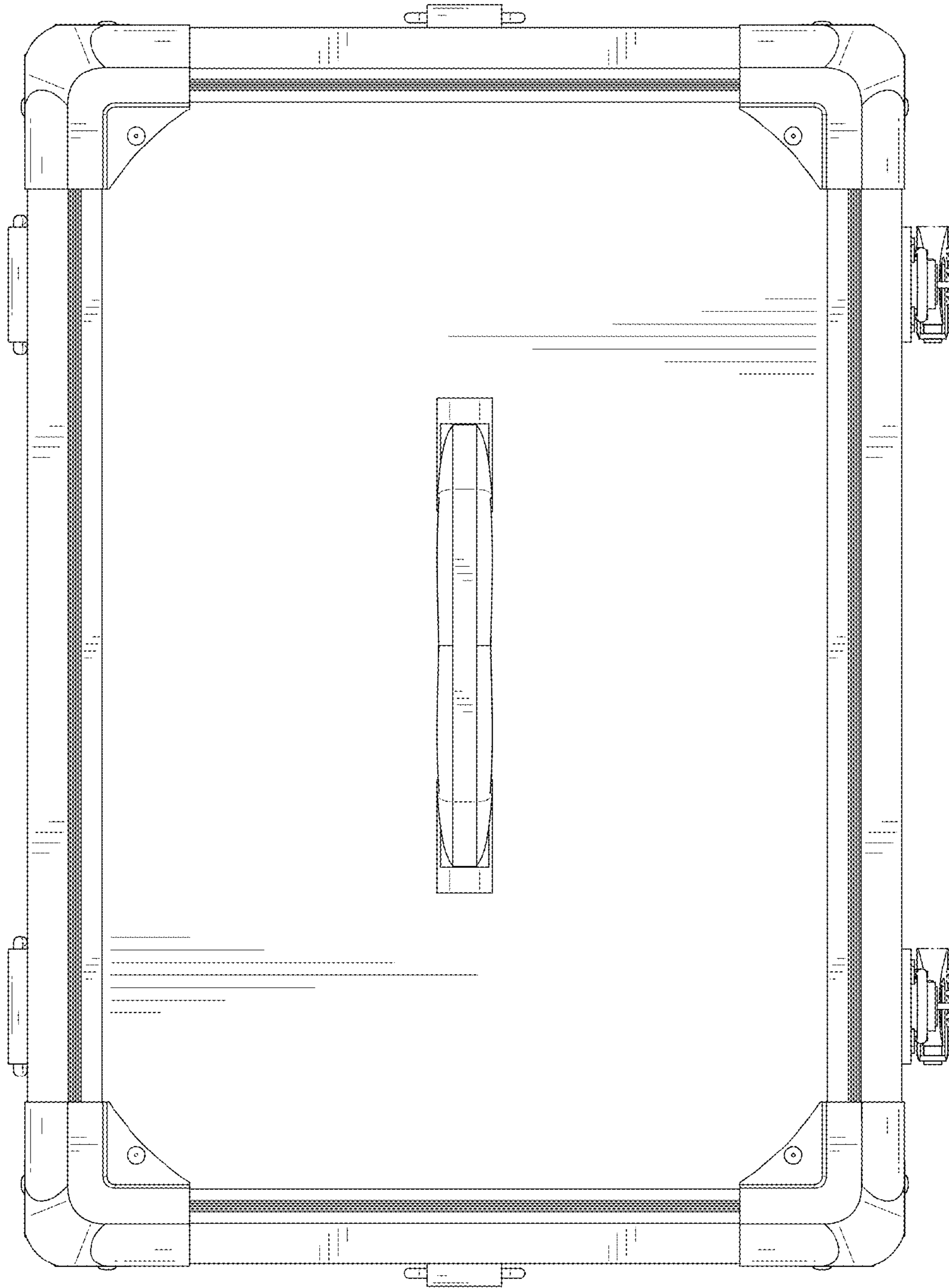


FIG. 7

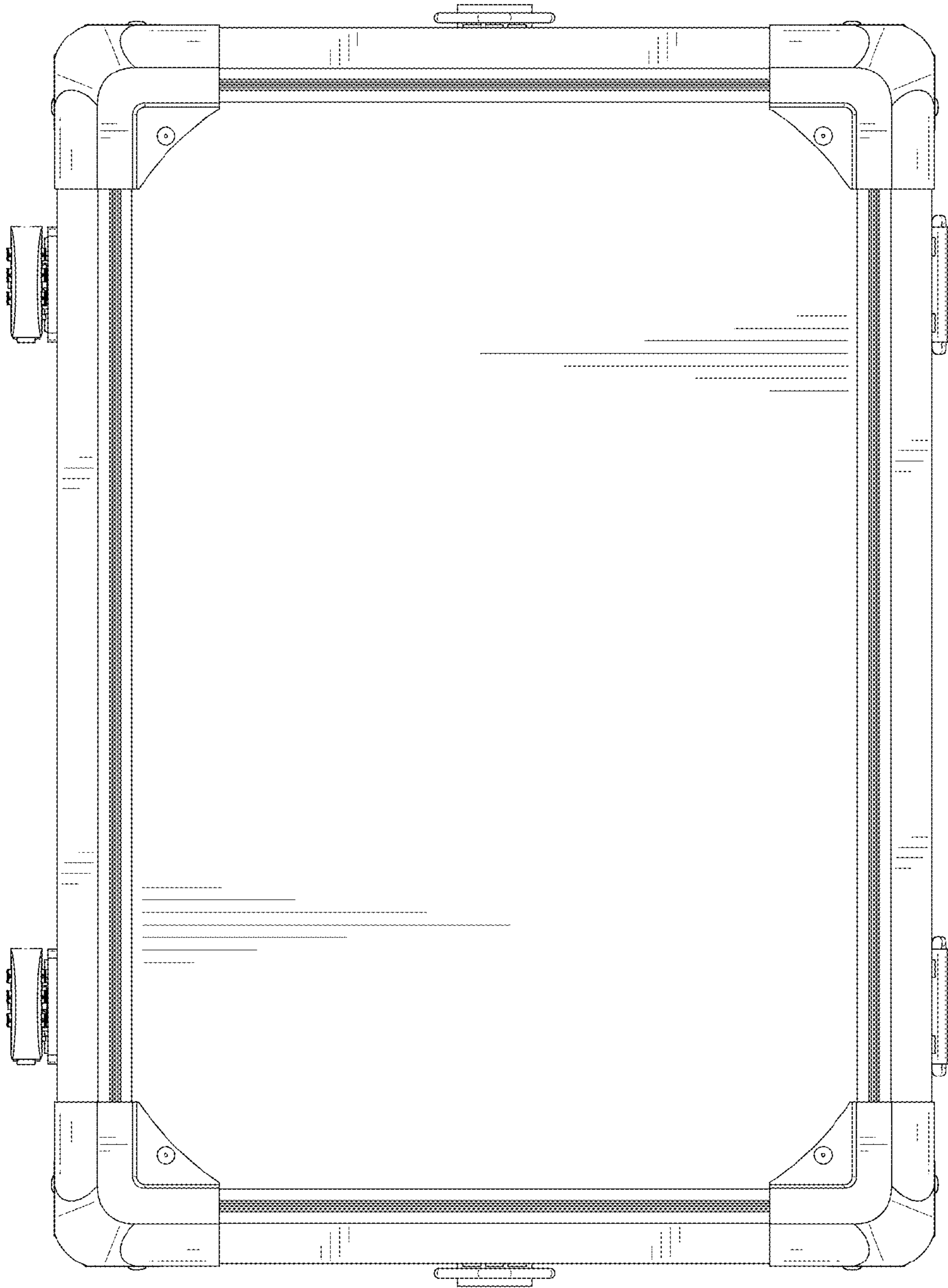


FIG. 8

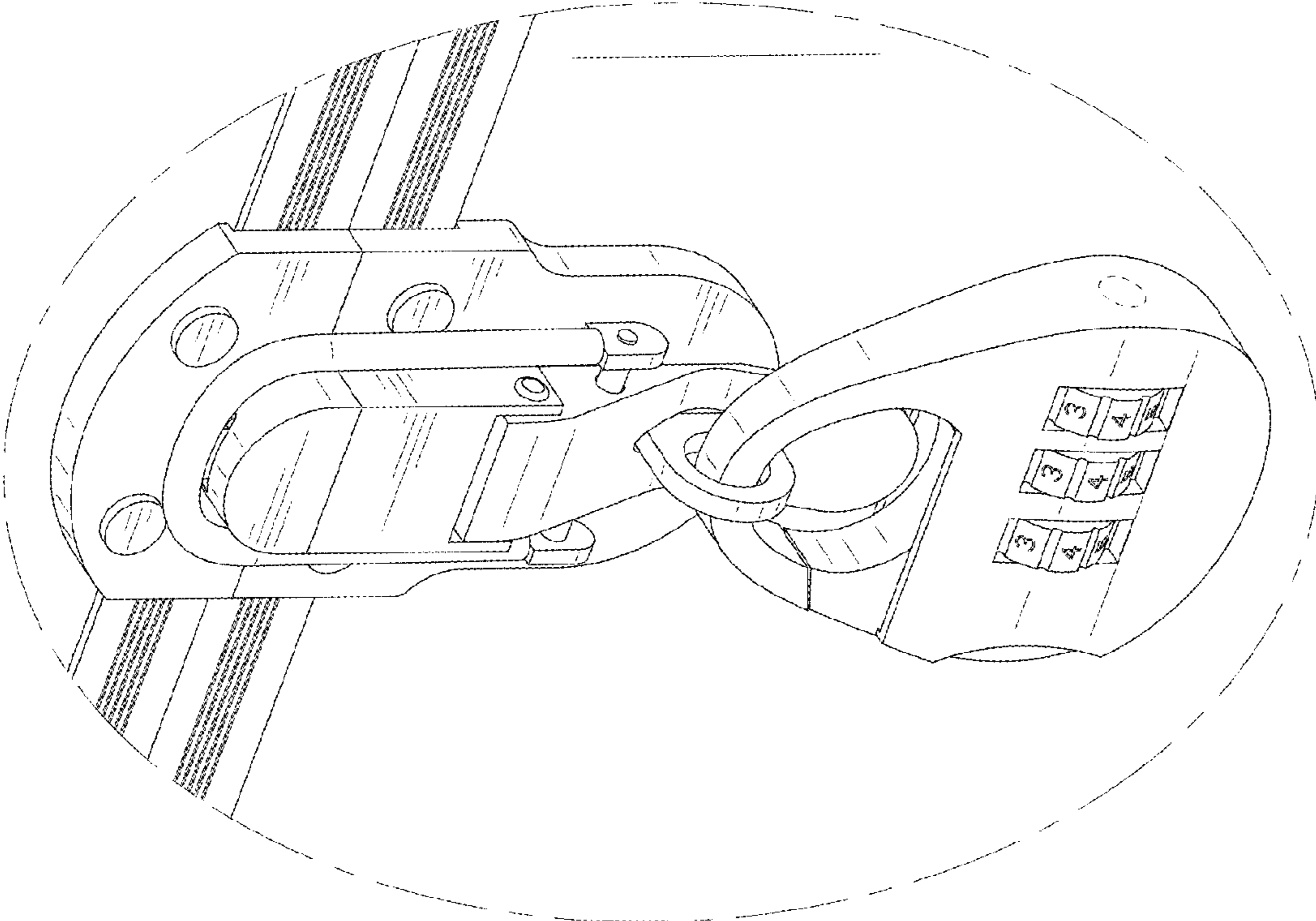
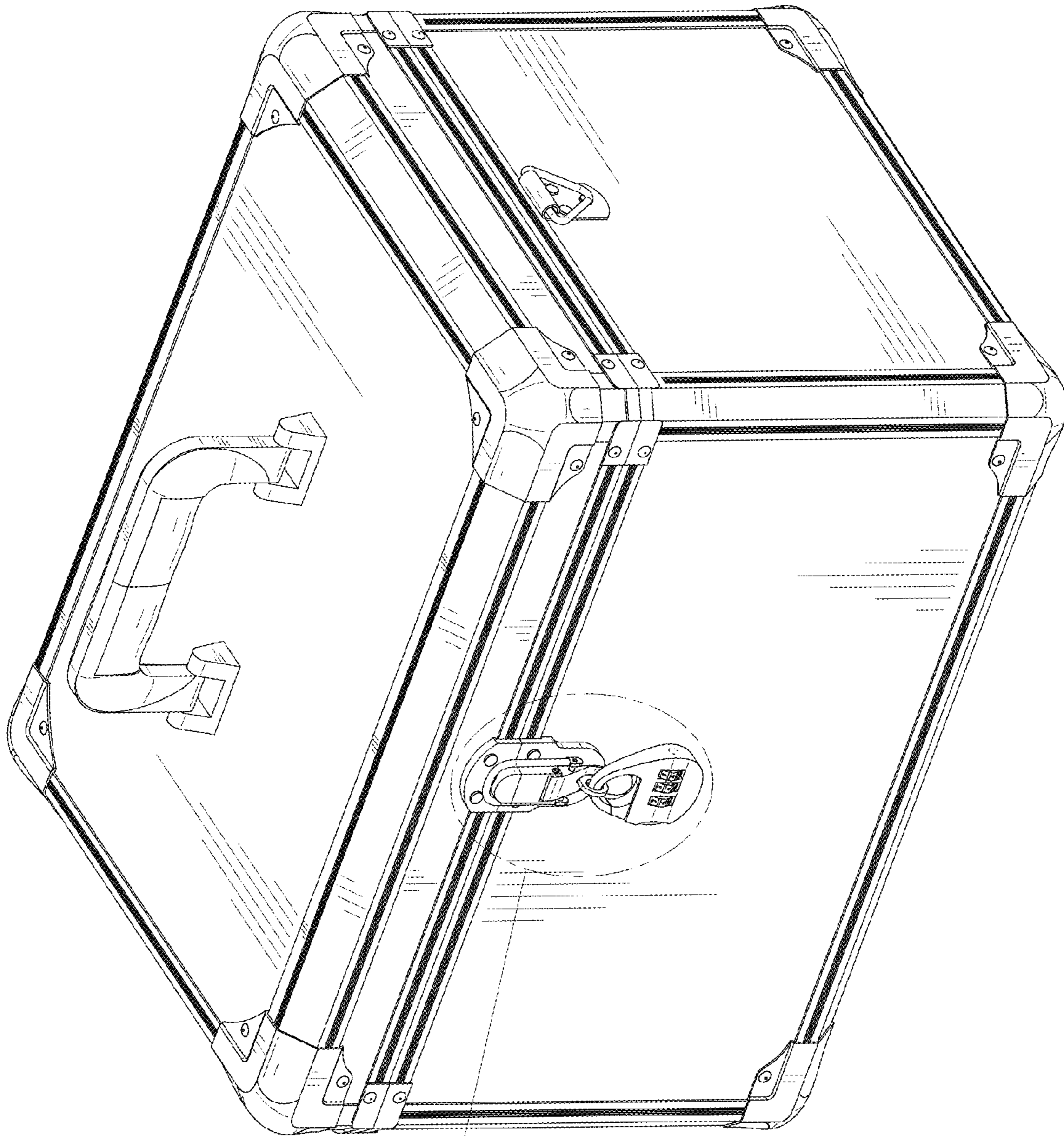


FIG. 9



18

FIG. 10

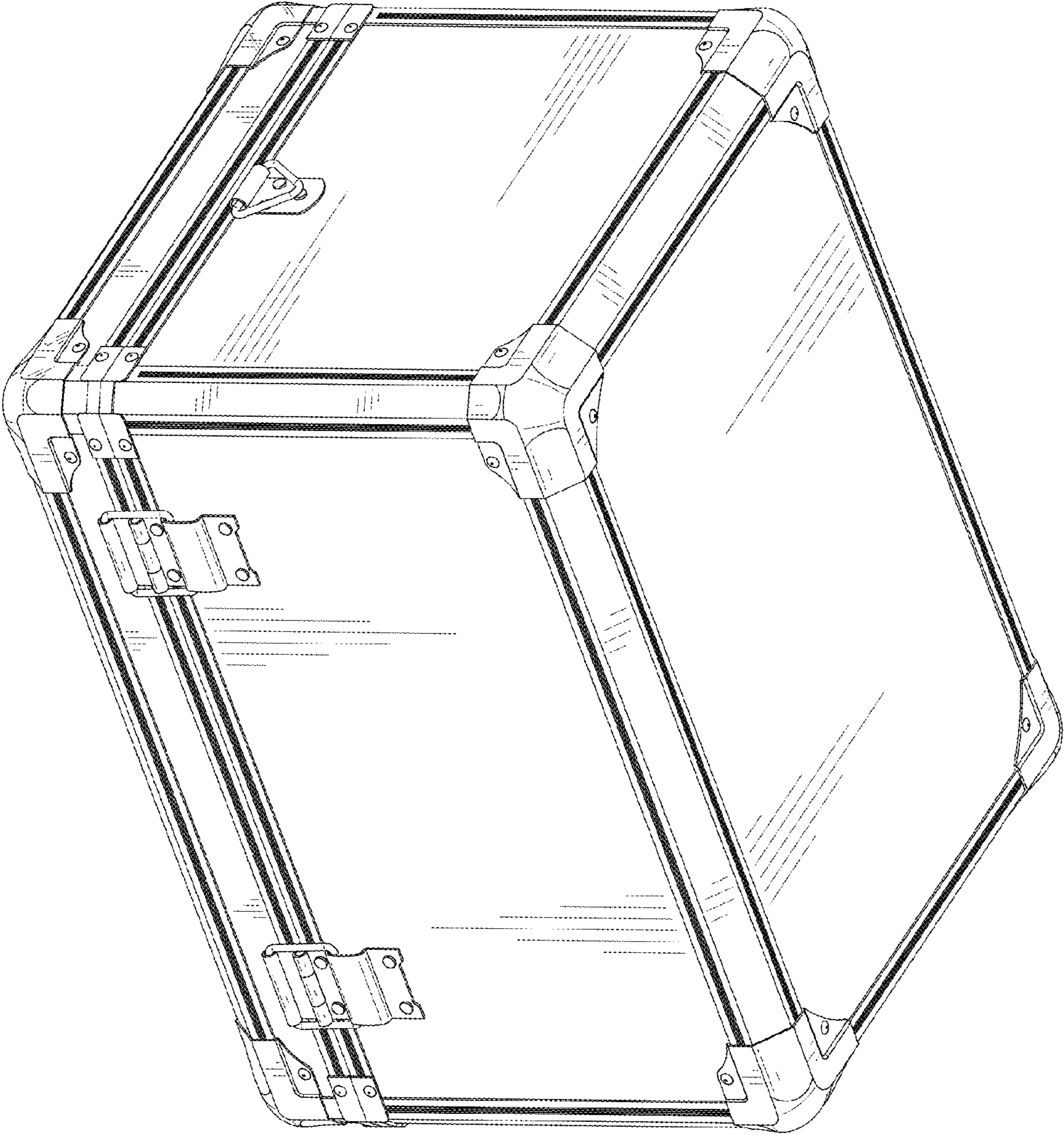


FIG. 11

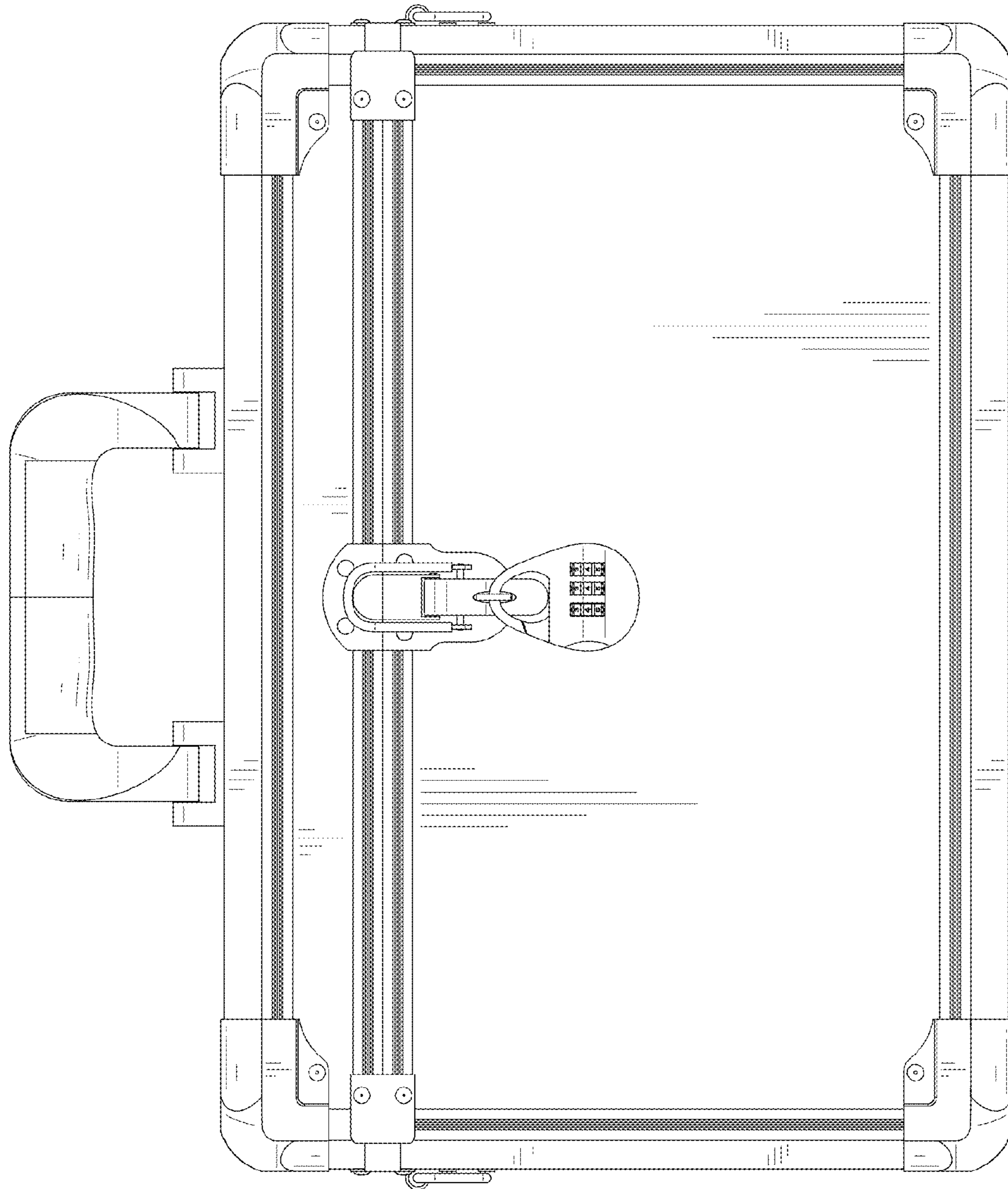


FIG. 12

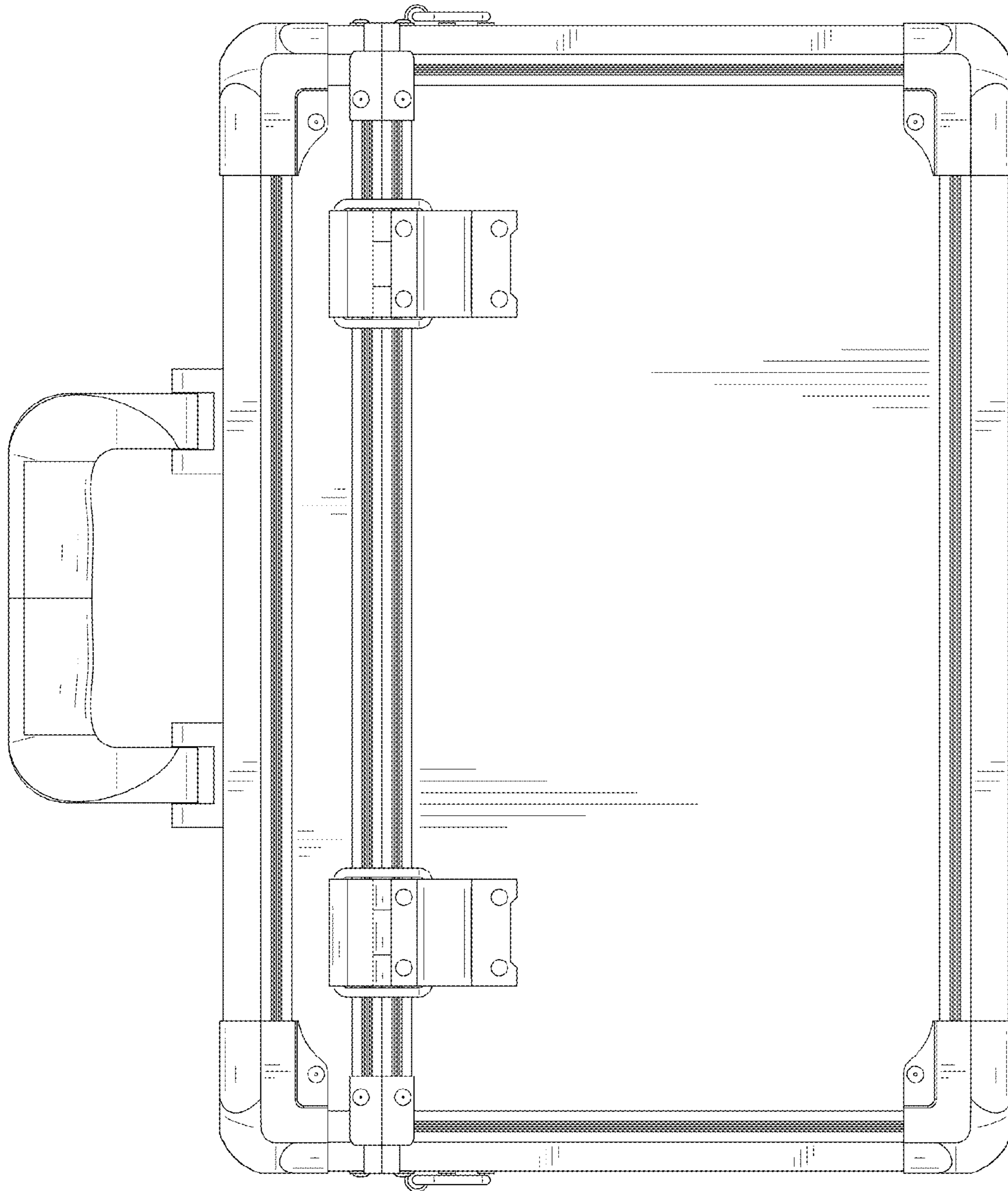


FIG. 13

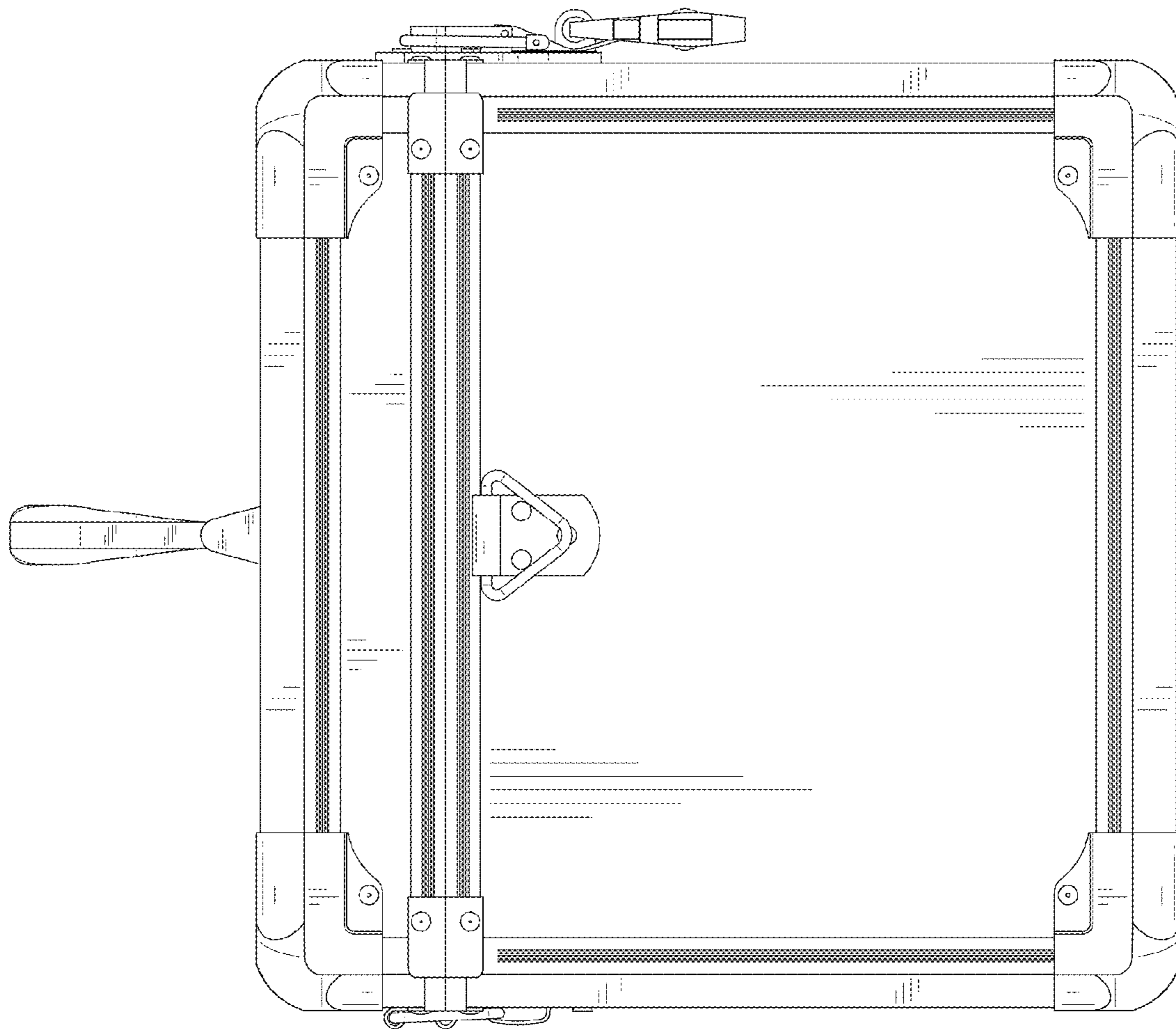


FIG. 14



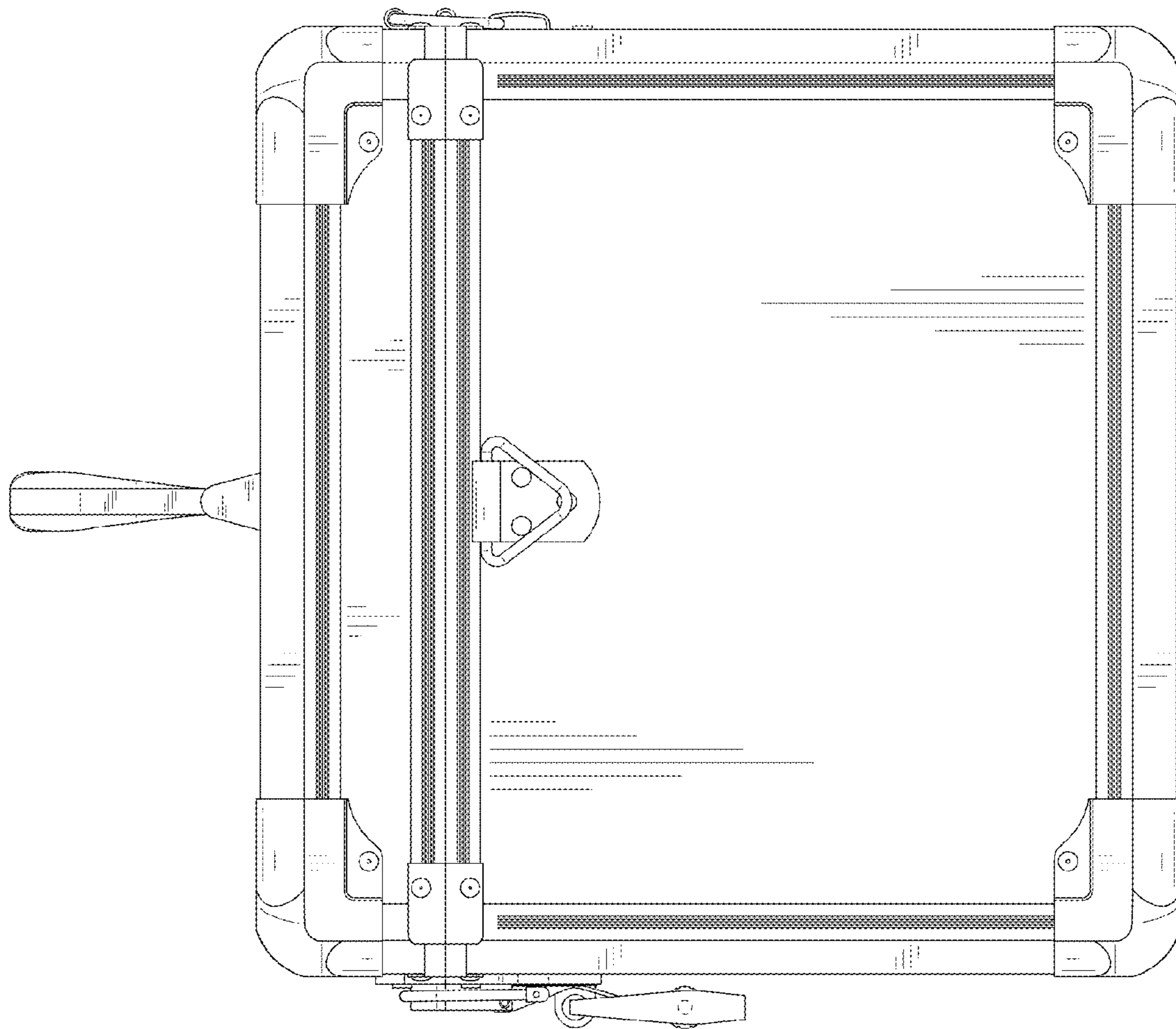


FIG. 15

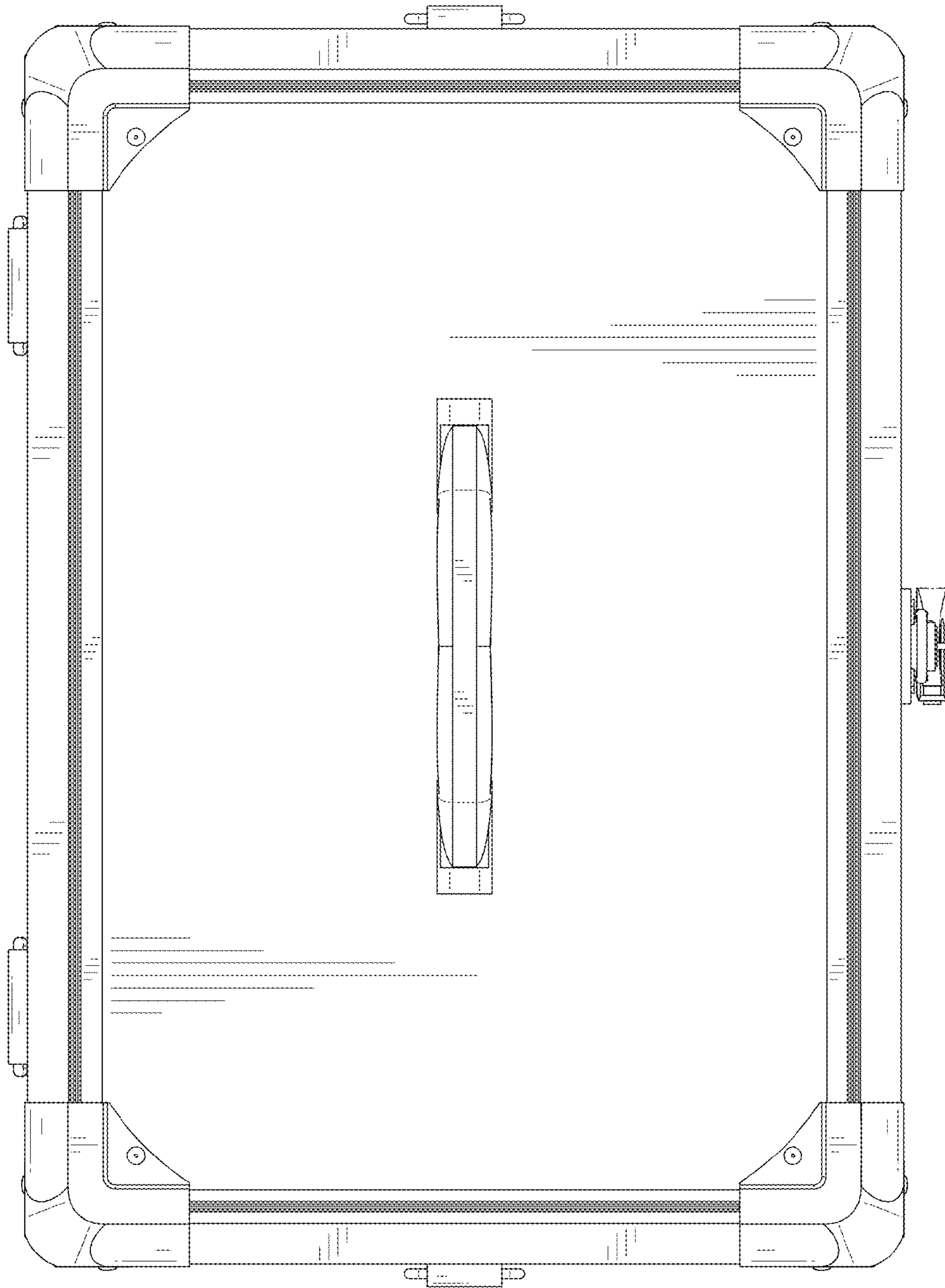


FIG. 16

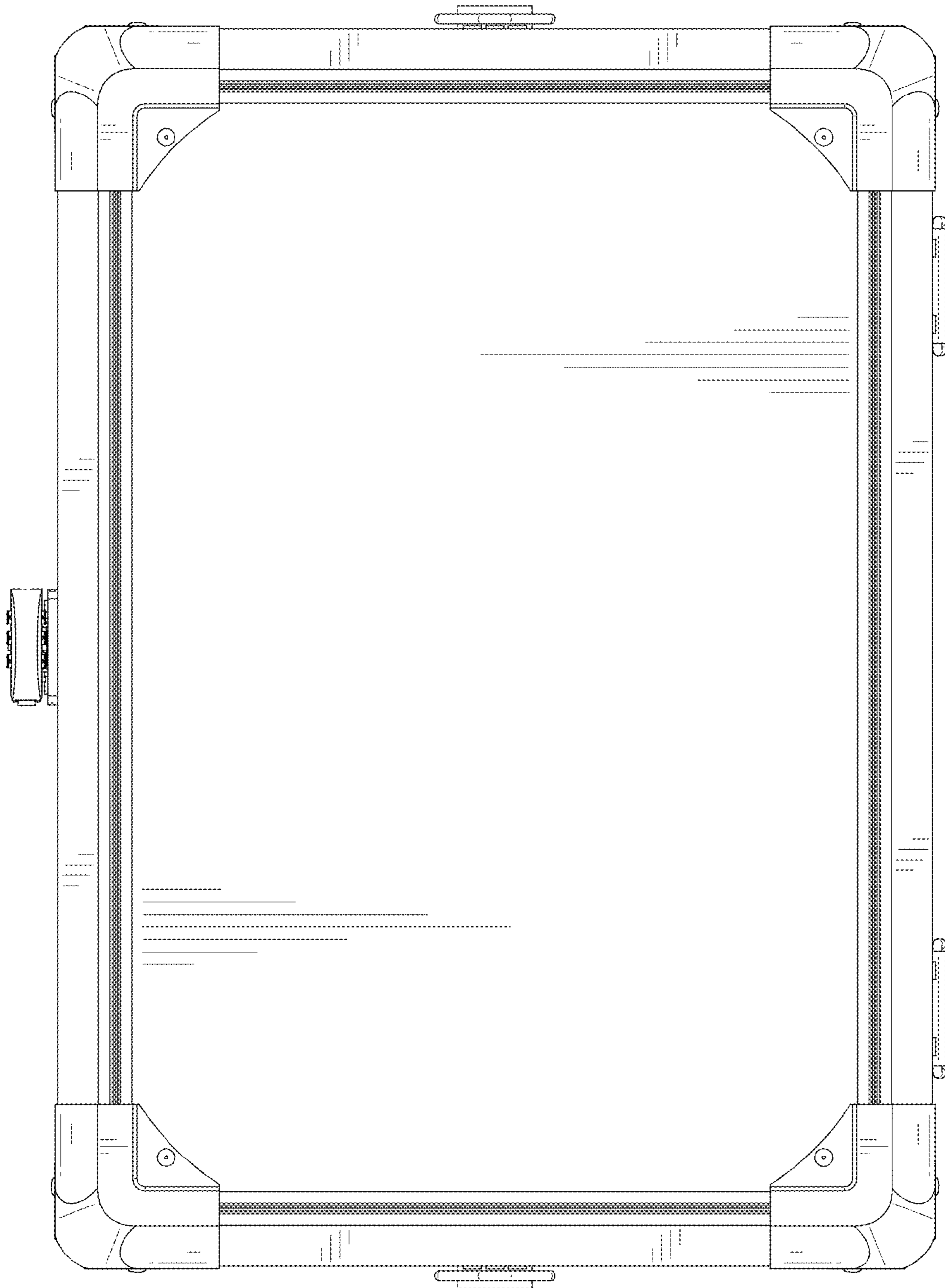


FIG. 17

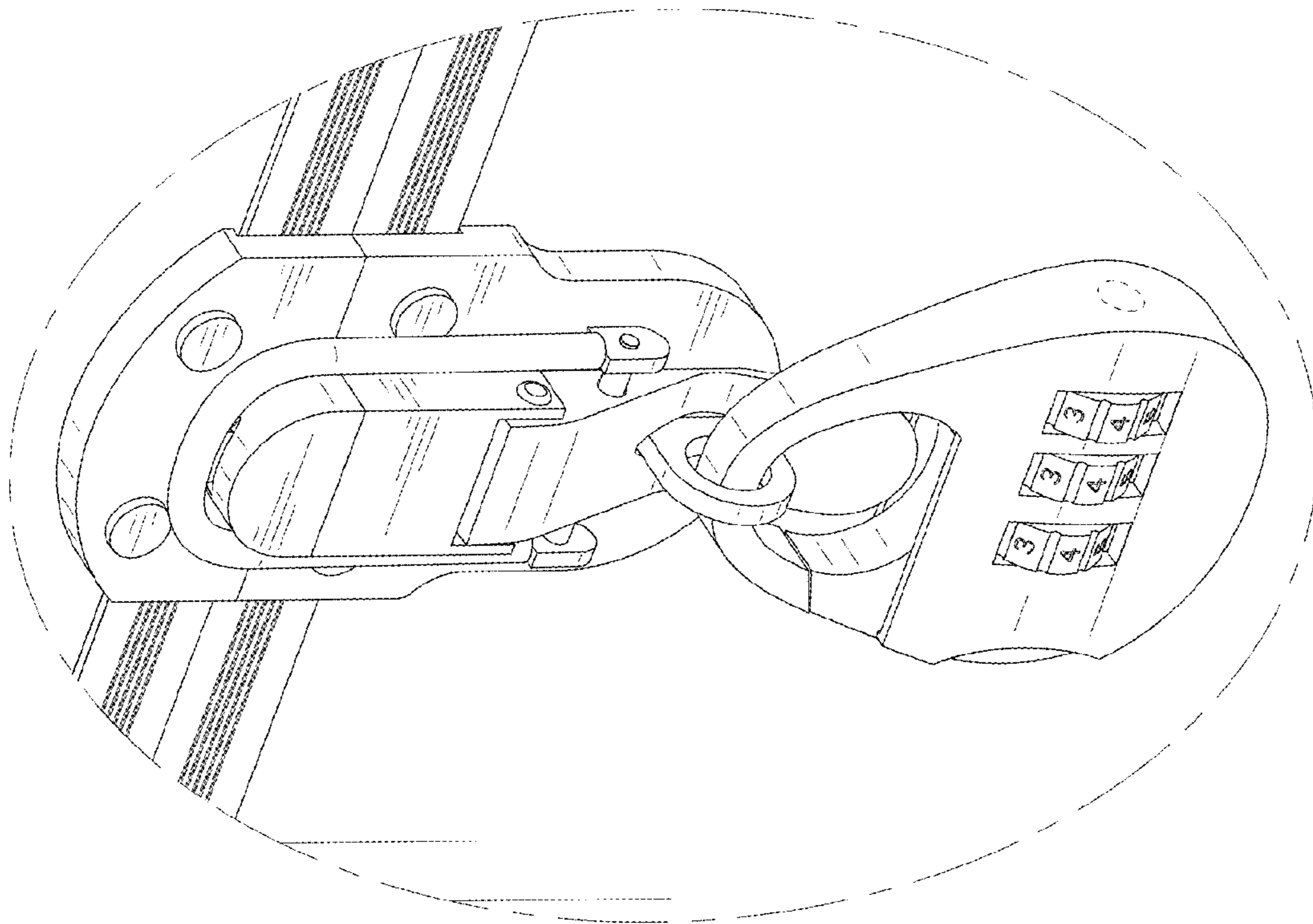


FIG. 18