



US00D929731S

(12) **United States Design Patent**
Sun

(10) **Patent No.:** **US D929,731 S**

(45) **Date of Patent:** **** Sep. 7, 2021**

(54) **PEN CASE**

(71) Applicant: **Wenjing Sun**, Shenzhen (CN)

(72) Inventor: **Wenjing Sun**, Shenzhen (CN)

(**) Term: **15 Years**

(21) Appl. No.: **29/751,285**

(22) Filed: **Sep. 20, 2020**

(51) **LOC (13) Cl.** **03-01**

(52) **U.S. Cl.**
USPC **D3/269; D3/303**

(58) **Field of Classification Search**
USPC D3/11, 201, 269, 300, 303
CPC A45B 1/04; A63H 3/02
See application file for complete search history.

(56) **References Cited**

U.S. PATENT DOCUMENTS

D121,541 S *	7/1940	Lipic, Jr.	D3/208
D156,228 S *	11/1949	Gaudriot	D3/208
D185,015 S *	4/1959	Maybrun	D3/300
D219,189 S *	11/1970	Seelig	D3/11
D222,313 S *	10/1971	Mengel	D3/11
D226,407 S *	2/1973	Doman	D3/260
D334,689 S *	4/1993	Mason	D3/202
D360,749 S *	8/1995	El-Edwy	D3/11
D656,314 S *	3/2012	Marshall	D3/269

D666,826 S *	9/2012	Phillips	D3/303
D731,780 S *	6/2015	Mingo	D3/11
D737,052 S *	8/2015	James	D3/300
D874,816 S	2/2020	Higuchi	
D882,259 S *	4/2020	Liu	D3/269
D890,184 S *	7/2020	Zhu	D14/440
D923,324 S	6/2021	Miyake et al.	

* cited by examiner

Primary Examiner — Holly E Thurman

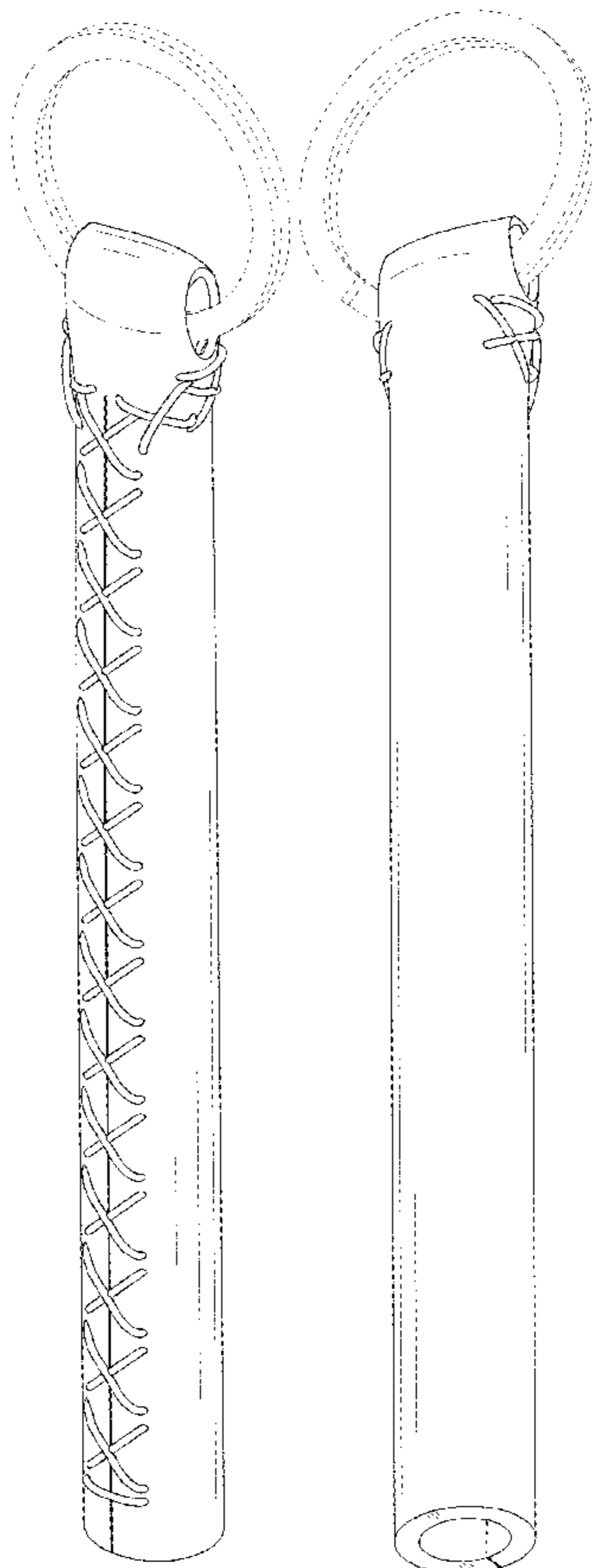
(57) **CLAIM**

The ornamental design for a pen case, as shown and described.

DESCRIPTION

FIG. 1 is a perspective view of a pen case showing my new design;
 FIG. 2 is another perspective view thereof;
 FIG. 3 is a front elevational view thereof;
 FIG. 4 is a rear elevational view thereof;
 FIG. 5 is a left side elevational view thereof;
 FIG. 6 is a right side elevational view thereof;
 FIG. 7 is a top plan view thereof;
 FIG. 8 is a bottom plan view thereof; and,
 FIG. 9 is a perspective view of the pen case where the pen case is in a configuration of use.
 The broken lines in the drawings depict portions of the pen case that form no part of the claimed design.

1 Claim, 9 Drawing Sheets



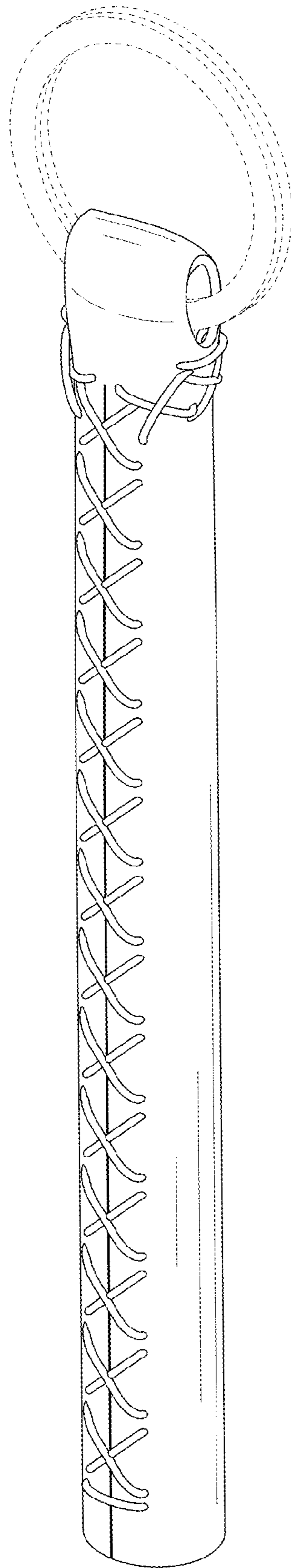


FIG. 1

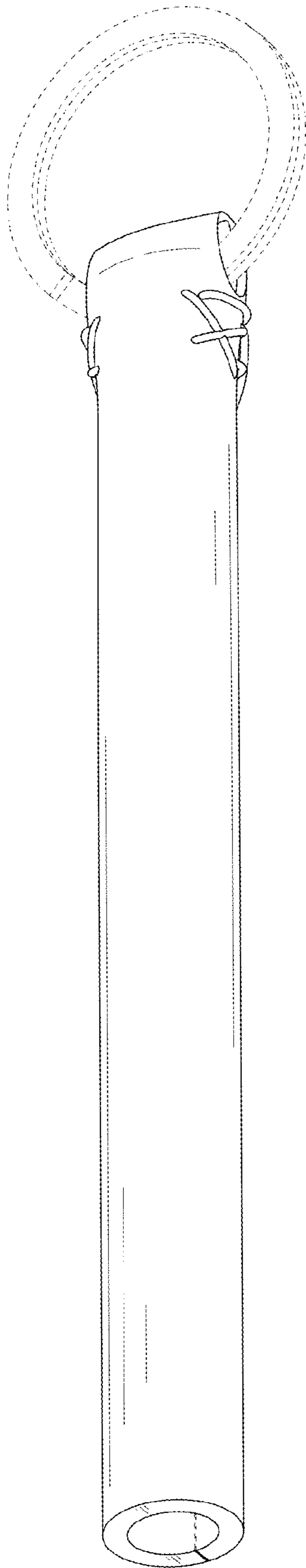


FIG. 2

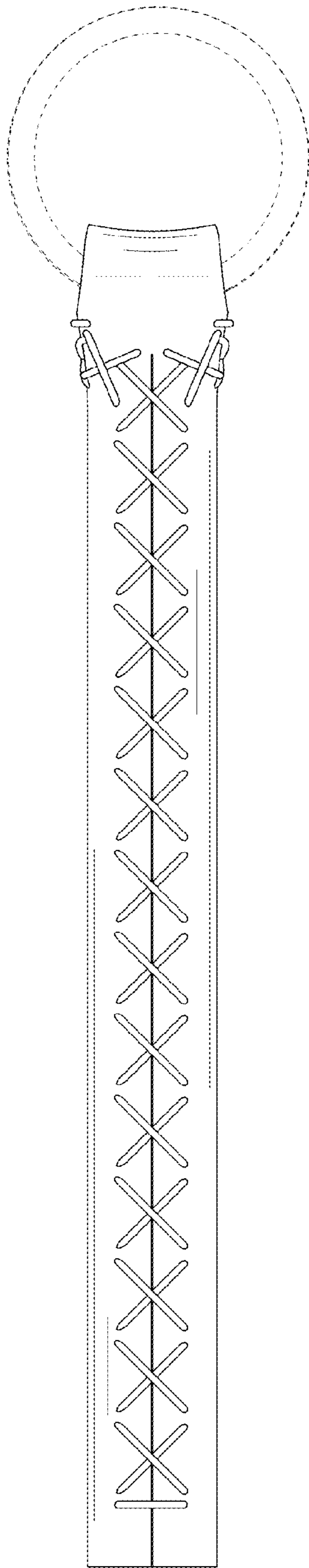


FIG. 3

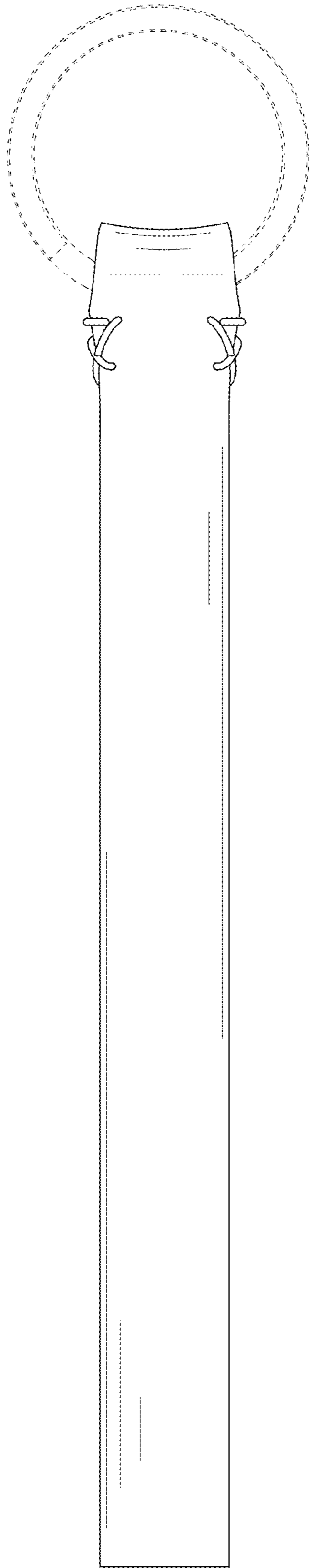


FIG. 4

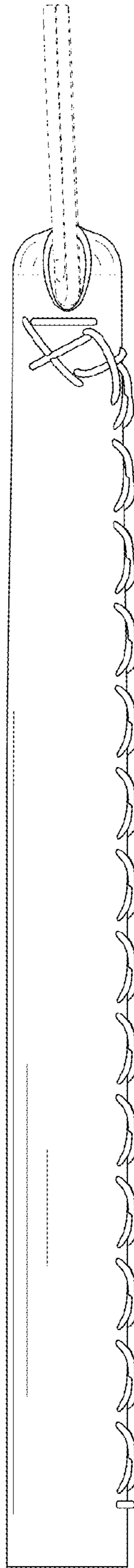


FIG. 5

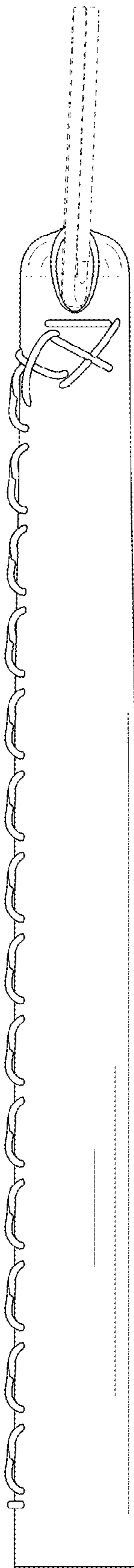


FIG. 6

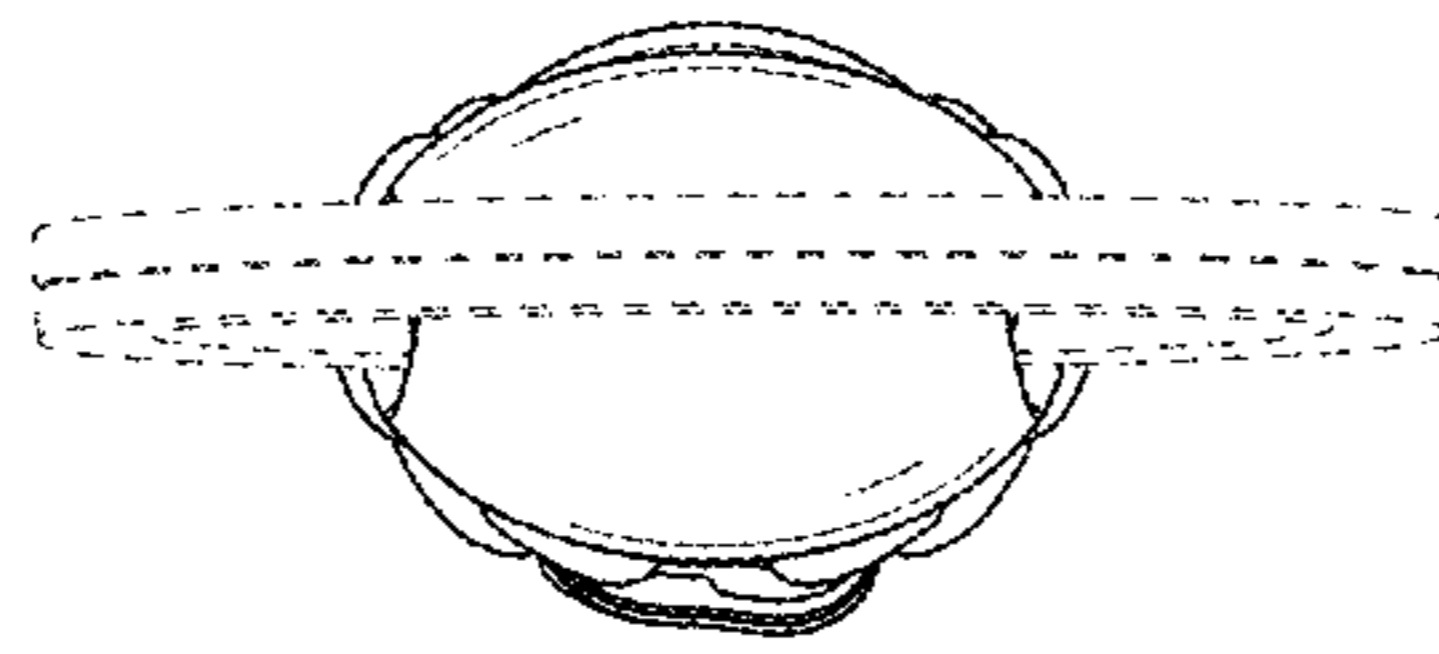


FIG. 7

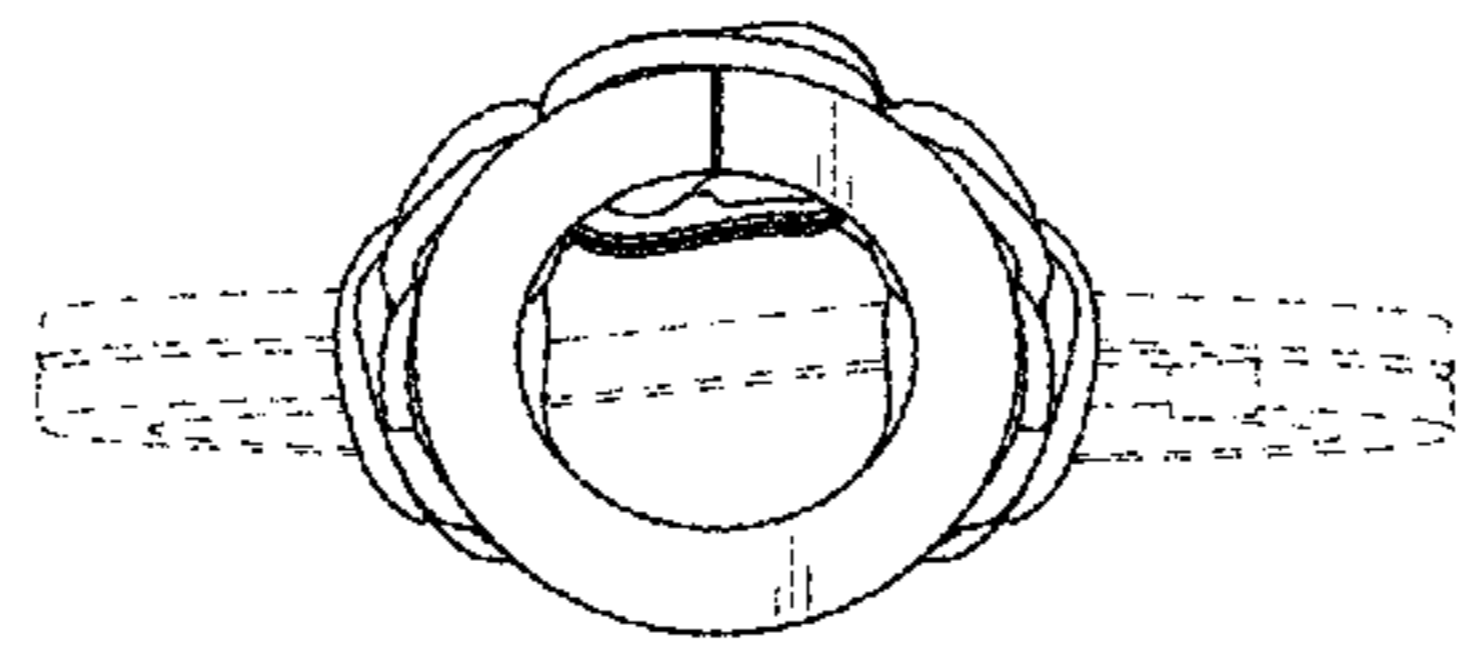


FIG. 8

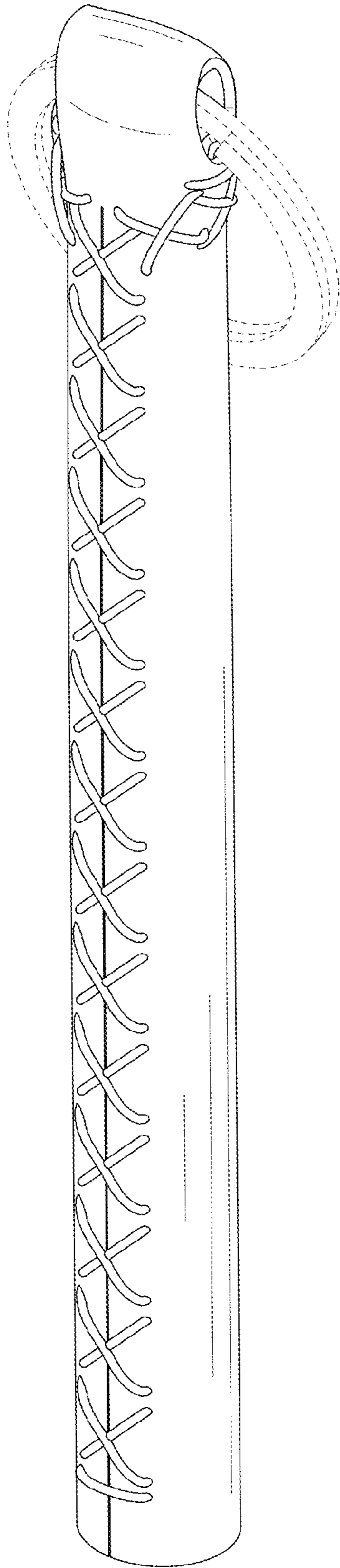


FIG. 9