



US00D929715S

(12) **United States Design Patent** (10) **Patent No.:** **US D929,715 S**  
**Yoo** (45) **Date of Patent:** **\*\* Sep. 7, 2021**

(54) **SHOE MIDSOLE PERIPHERY**  
(71) Applicant: **Skechers U.S.A., Inc. II**, Manhattan Beach, CA (US)  
(72) Inventor: **Jin Seok Yoo**, Los Angeles, CA (US)  
(73) Assignee: **Skechers U.S.A., Inc. II**, Manhattan Beach, CA (US)

(\*\*) Term: **15 Years**

(21) Appl. No.: **29/749,256**

(22) Filed: **Sep. 3, 2020**

(51) **LOC (13) Cl.** ..... **02-04**

(52) **U.S. Cl.**  
USPC ..... **D2/947; D2/953**

(58) **Field of Classification Search**  
USPC ..... D2/902, 906, 908, 916, 918, 925, D2/946-962, 977; 36/3 B, 22 R, 24.5, 36/25 R, 28, 32 R, 34 R, 59 C, 67 A, 103  
CPC ..... A43B 13/00; A43B 13/02; A43B 13/023; A43B 13/026; A43B 13/04; A43B 13/08; A43B 13/10; A43B 13/12; A43B 13/14; A43B 13/141; A43B 13/143; A43B 13/16; A43B 13/18; A43B 13/181; A43B 13/187; A43B 13/189; A43B 13/20; A43B 13/22; A43B 13/223; A43B 13/24; A43B 13/28; A43B 13/30; A43B 13/32; A43B 13/34; A43B 13/36

See application file for complete search history.

(56) **References Cited**

**U.S. PATENT DOCUMENTS**

2,627,676 A 2/1953 Hack  
2,981,011 A 4/1961 Lombardo  
D235,701 S \* 7/1975 Famolare ..... D2/947

3,936,956 A \* 2/1976 Famolare, Jr. .... A43B 13/143  
36/32 R  
4,041,618 A \* 8/1977 Famolare, Jr. .... A43B 13/00  
36/25 R  
D248,796 S \* 8/1978 Famolare, Jr. .... D2/950  
(Continued)

**FOREIGN PATENT DOCUMENTS**

CN 202588476 U 12/2012  
CN 204105002 U 1/2015  
(Continued)

*Primary Examiner* — T Chase Nelson  
(74) *Attorney, Agent, or Firm* — Marshall A. Lerner; Marvin H. Kleinberg; Kleinberg & Lerner, LLP

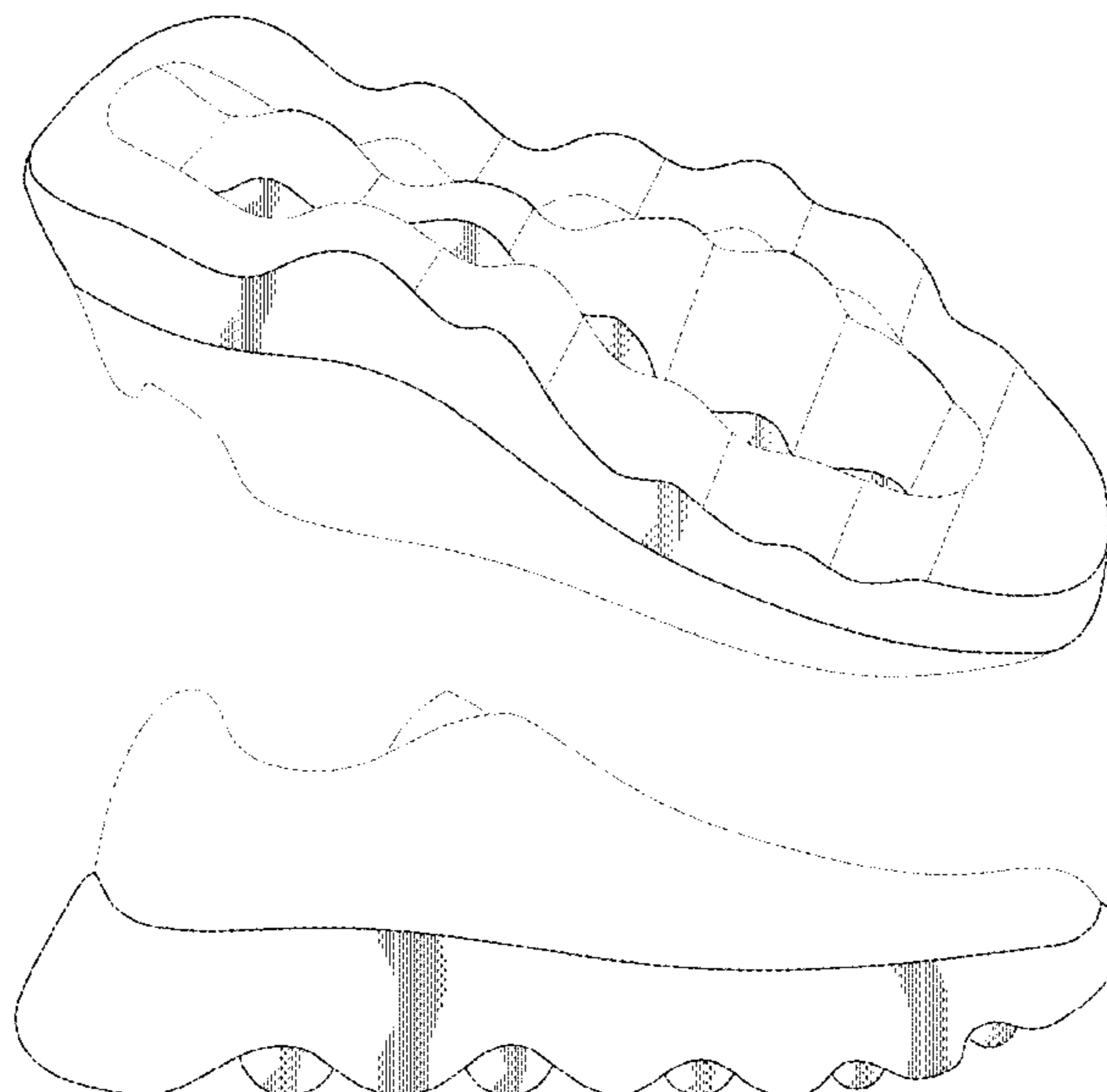
(57) **CLAIM**

The ornamental design for a shoe midsole periphery, as shown and described.

**DESCRIPTION**

FIG. 1 is a perspective view of a first embodiment of a shoe midsole periphery in accordance with my new design.  
FIG. 2 is a left side elevation view thereof;  
FIG. 3 is a right side elevation view thereof;  
FIG. 4 is a top plan view thereof;  
FIG. 5 is a bottom plan view thereof;  
FIG. 6 is a front elevation view thereof;  
FIG. 7 is a rear elevation view thereof;  
FIG. 8 is a perspective view of a second embodiment of a shoe midsole periphery in accordance with my new design.  
FIG. 9 is a left side elevation view thereof;  
FIG. 10 is a right side elevation view thereof;  
FIG. 11 is a top plan view thereof;  
FIG. 12 is a bottom plan view thereof;  
FIG. 13 is a front elevation view thereof; and,  
FIG. 14 is a rear elevation view thereof.  
The broken lines shown in the drawings represent portions of the shoe upper, midsole periphery and outsole bottom that form no part of the claimed design. The surfaces devoid of shading lines are not claimed.

**1 Claim, 12 Drawing Sheets**



(56)

References Cited

U.S. PATENT DOCUMENTS

D257,186 S \* 10/1980 Famolare, Jr. .... D2/950  
 D257,701 S \* 12/1980 Famolare, Jr. .... D2/950  
 D280,568 S 9/1985 Stubblefield  
 4,593,482 A 6/1986 Mayer  
 D315,634 S 3/1991 Yung-Mao  
 D399,040 S 10/1998 Merceron  
 D469,949 S \* 2/2003 Koo ..... D2/952  
 D503,028 S 3/2005 Merceron  
 D505,537 S \* 5/2005 Friedman ..... D2/961  
 D514,288 S 2/2006 Burg  
 D532,190 S 11/2006 Scheurer  
 D533,708 S 12/2006 Earle  
 D549,933 S \* 9/2007 Anderson ..... D2/916  
 D606,292 S \* 12/2009 Ong ..... D2/947  
 7,886,461 B2 2/2011 Sato  
 D649,753 S 12/2011 Callahan et al.  
 D649,754 S 12/2011 Callahan et al.  
 D652,201 S 1/2012 Vestuti et al.  
 D655,901 S 3/2012 Raysse  
 D660,568 S 5/2012 Blakeslee  
 D667,619 S 9/2012 Blakeslee  
 D668,028 S 10/2012 Pope  
 D674,581 S \* 1/2013 Callahan ..... D2/947  
 D674,997 S \* 1/2013 Callahan ..... D2/947  
 8,365,445 B2 2/2013 Sink  
 D677,456 S \* 3/2013 Knight ..... D2/961  
 D682,522 S 5/2013 Raysse  
 D684,348 S 6/2013 Castellon  
 D691,787 S \* 10/2013 Callahan ..... D2/953  
 8,590,179 B2 11/2013 Sink  
 8,707,587 B2 4/2014 Christensen et al.  
 D708,430 S 7/2014 Weeks  
 D711,636 S 8/2014 Christensen et al.  
 D713,134 S 9/2014 Hardigan et al.  
 D714,038 S 9/2014 Portzline  
 D716,531 S \* 11/2014 Youn ..... D2/947  
 8,881,431 B2 11/2014 Sink  
 9,015,962 B2 4/2015 Boudreau et al.  
 D730,638 S 6/2015 Christensen et al.  
 9,392,843 B2 7/2016 Callahan et al.  
 D764,782 S 8/2016 Hardigan et al.  
 9,433,256 B2 9/2016 Callahan et al.  
 9,655,403 B2 3/2017 Farris  
 D785,306 S 5/2017 Georgoulakis  
 D785,307 S 5/2017 Georgoulakis  
 9,717,304 B2 \* 8/2017 Bernhard ..... A43B 13/181  
 D798,550 S 10/2017 Fudalik  
 9,775,403 B2 \* 10/2017 Bernhard ..... A43B 13/181  
 D804,159 S \* 12/2017 Allemann ..... D2/960  
 D808,626 S 1/2018 Matsui  
 9,872,536 B2 1/2018 Healy et al.  
 D809,253 S 2/2018 Brunner

D813,503 S 3/2018 Brunner  
 D813,504 S 3/2018 Brunner  
 D814,750 S 4/2018 Granger et al.  
 D821,070 S 6/2018 Brunner  
 D822,957 S 7/2018 Brunner  
 D827,265 S 9/2018 Hardigan et al.  
 D833,129 S 11/2018 Fudalik  
 D848,713 S 5/2019 Blauer  
 D858,951 S 9/2019 Luh  
 D861,308 S \* 10/2019 Chang ..... D2/957  
 D861,309 S \* 10/2019 Wang ..... D2/957  
 D862,056 S \* 10/2019 Wang ..... D2/947  
 D872,431 S \* 1/2020 Petrenka ..... D2/947  
 D872,983 S 1/2020 Louboutin  
 D873,547 S \* 1/2020 Rauner ..... D2/947  
 D874,105 S \* 2/2020 Rauner ..... D2/947  
 D874,106 S \* 2/2020 Rauner ..... D2/947  
 D874,803 S 2/2020 Spring  
 D876,052 S 2/2020 Hartmann  
 D882,219 S 4/2020 Hartmann  
 D887,118 S 6/2020 Enayah  
 D900,444 S \* 11/2020 Brunner ..... D2/947  
 D901,853 S \* 11/2020 Hartmann ..... D2/947  
 D901,866 S \* 11/2020 Brunner ..... D2/960  
 D902,540 S \* 11/2020 Hartmann ..... D2/947  
 D905,944 S \* 12/2020 Heald ..... D2/947  
 2001/0052194 A1 \* 12/2001 Nishiwaki ..... A43B 13/181  
 36/28  
 2006/0277792 A1 \* 12/2006 Schoenborn ..... A43B 13/181  
 36/28  
 2008/0289224 A1 \* 11/2008 Sink ..... A43B 13/181  
 36/103  
 2015/0230549 A1 \* 8/2015 Bernhard ..... A43B 13/223  
 36/25 R  
 2018/0009187 A1 \* 1/2018 Park ..... B29C 33/22  
 2018/0125148 A1 \* 5/2018 Elder ..... A43B 13/181  
 2018/0255871 A1 \* 9/2018 Conway ..... A43B 13/20

FOREIGN PATENT DOCUMENTS

CN 303260616 1/2015  
 CN 303163420 4/2015  
 CN 303555361 1/2016  
 CN 303574900 2/2016  
 CN 205696000 U 11/2016  
 CN 304259027 8/2017  
 CN 304267710 9/2017  
 CN 108936952 A 12/2018  
 CN 305242283 7/2019  
 JP D1644952 10/2019  
 WO WO 92/14372 11/2014  
 WO WO 2014/180211 A1 11/2014  
 WO WO D201566-001 4/2019  
 WO WO D201566-002 4/2019

\* cited by examiner

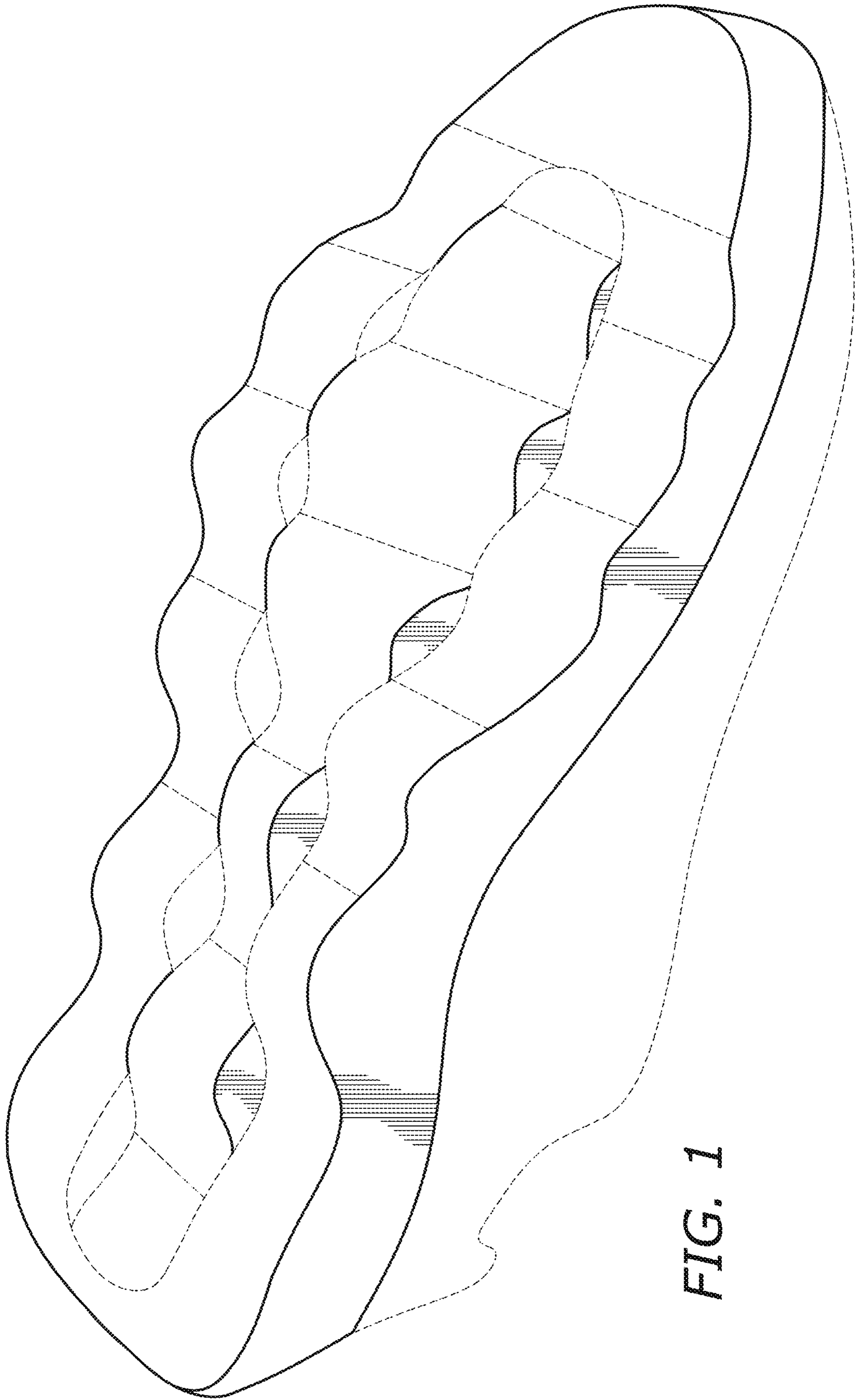
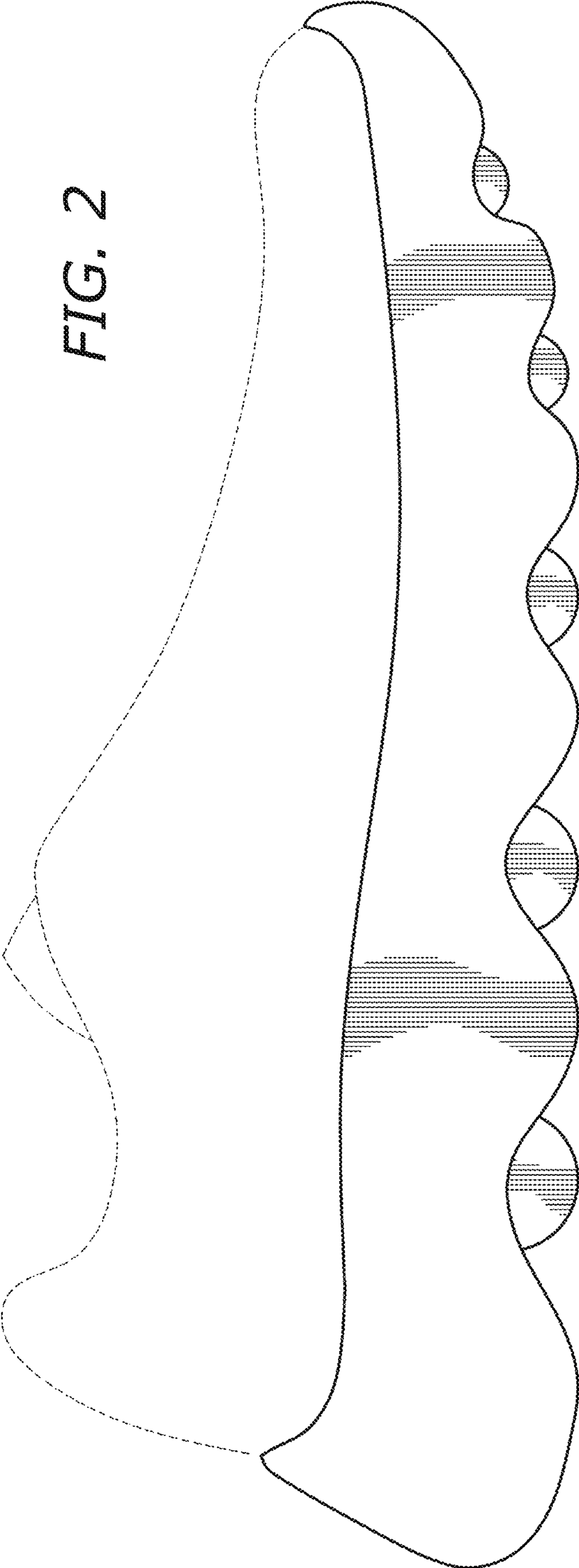


FIG. 1

FIG. 2



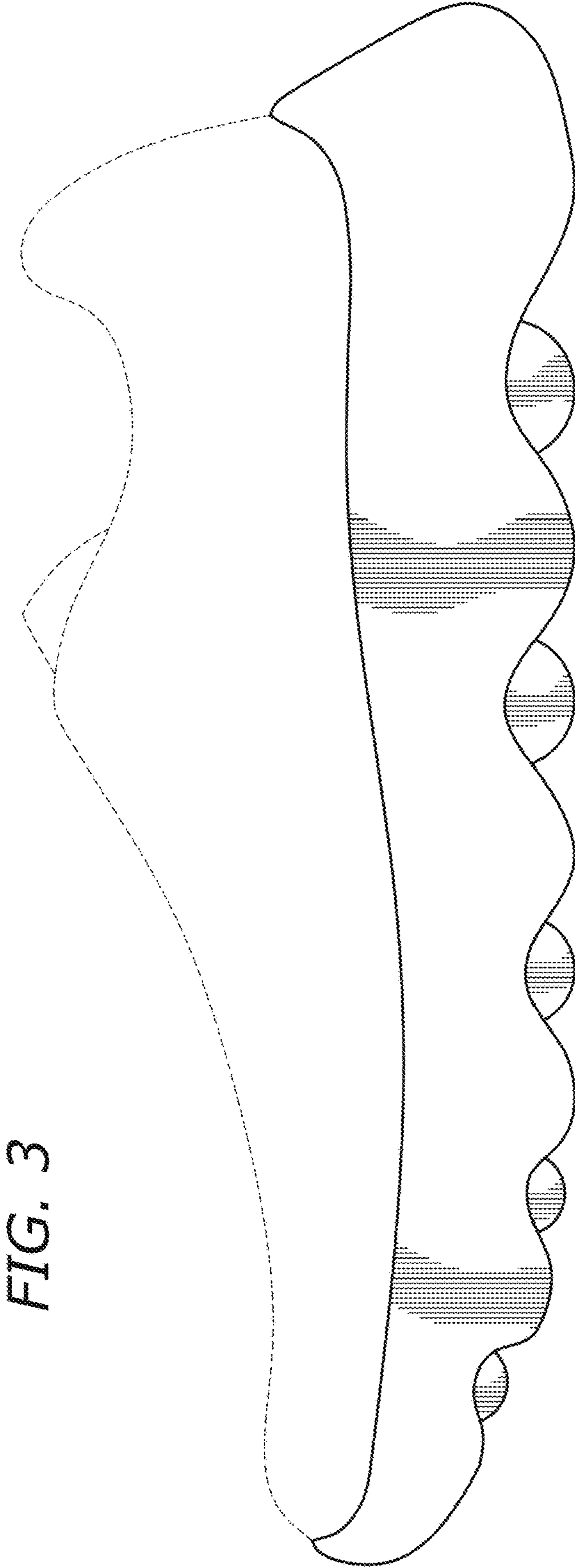


FIG. 3

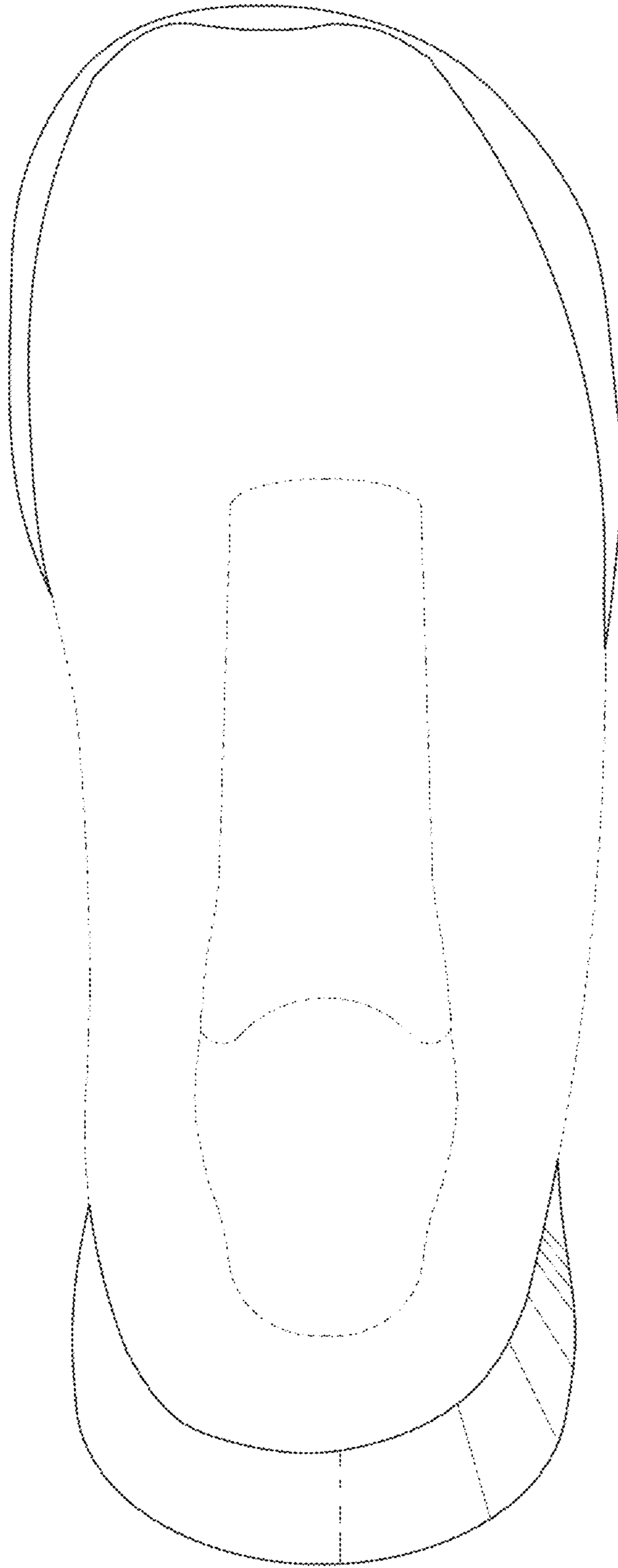


FIG. 4

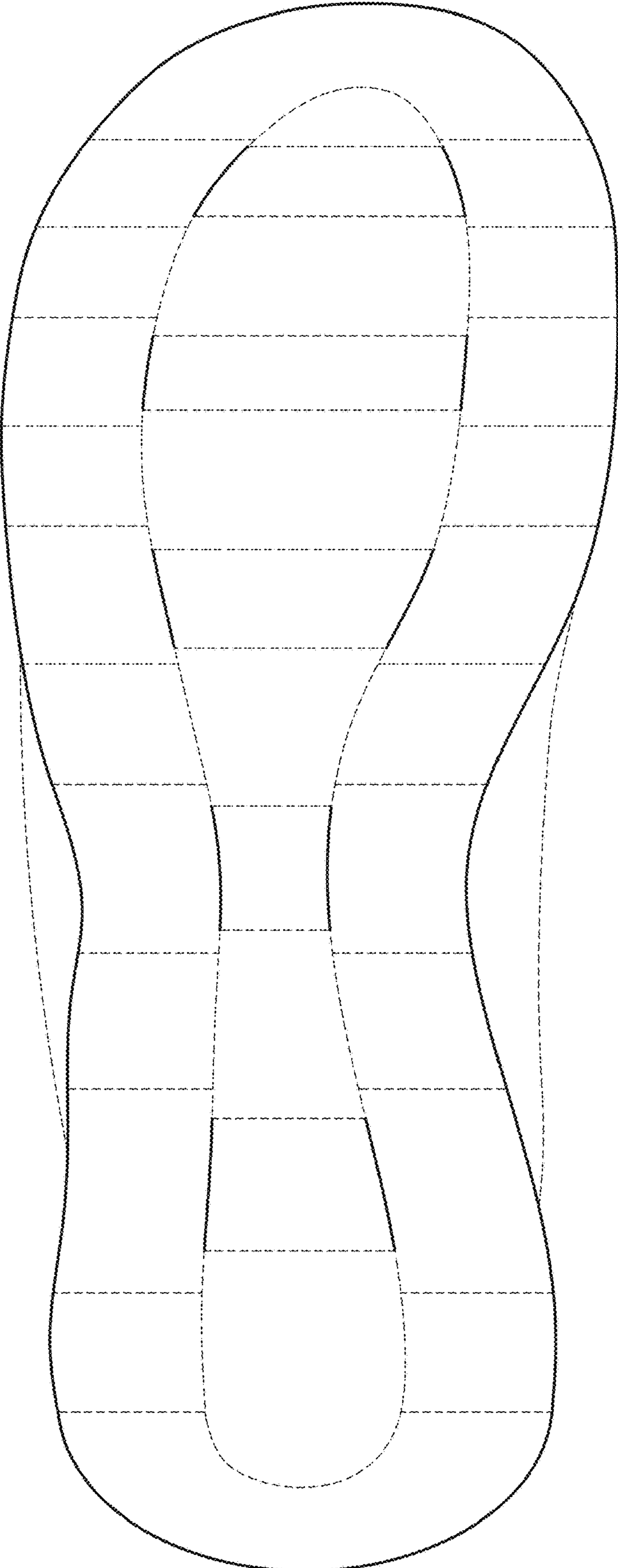


FIG. 5

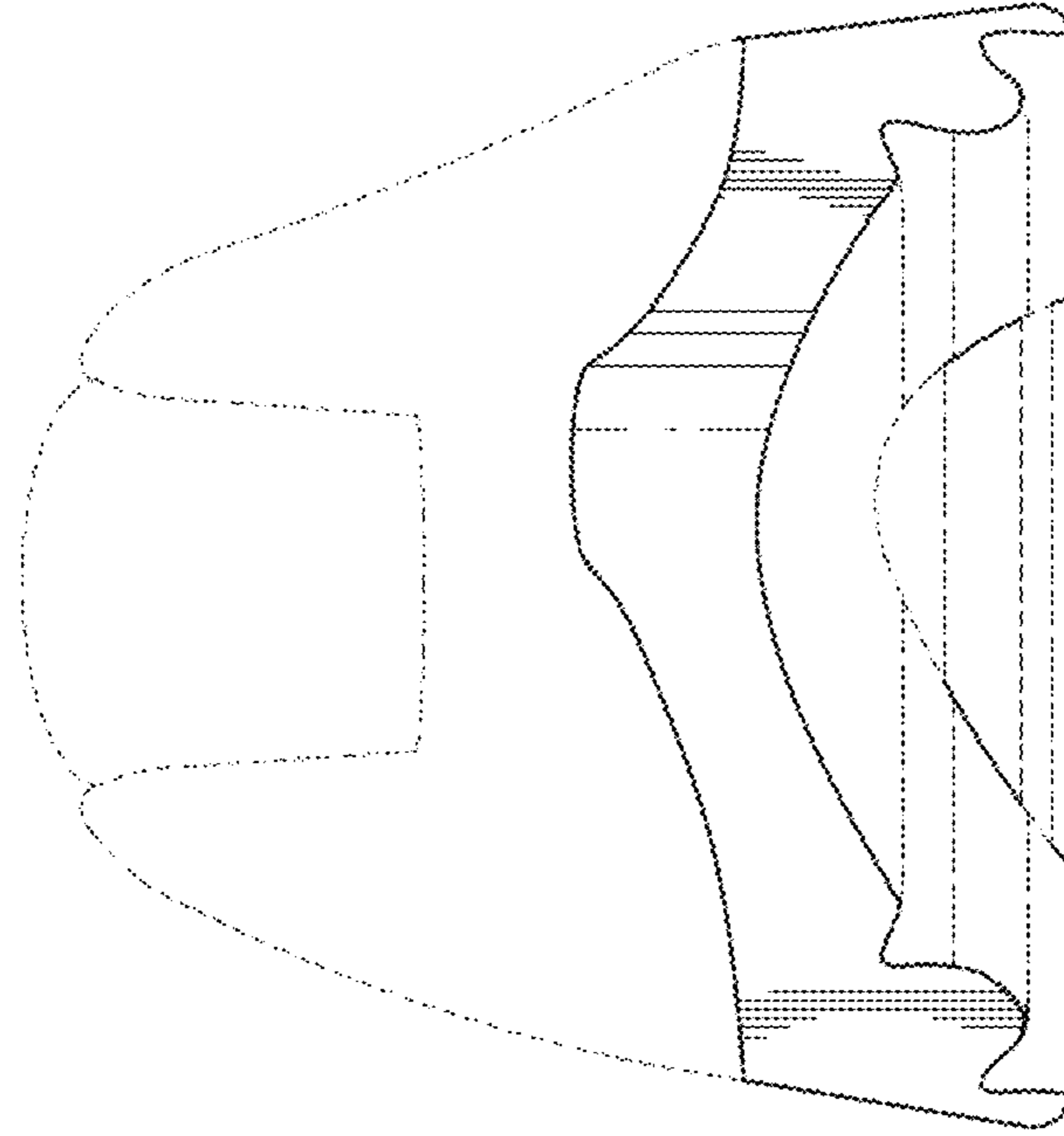


FIG. 6

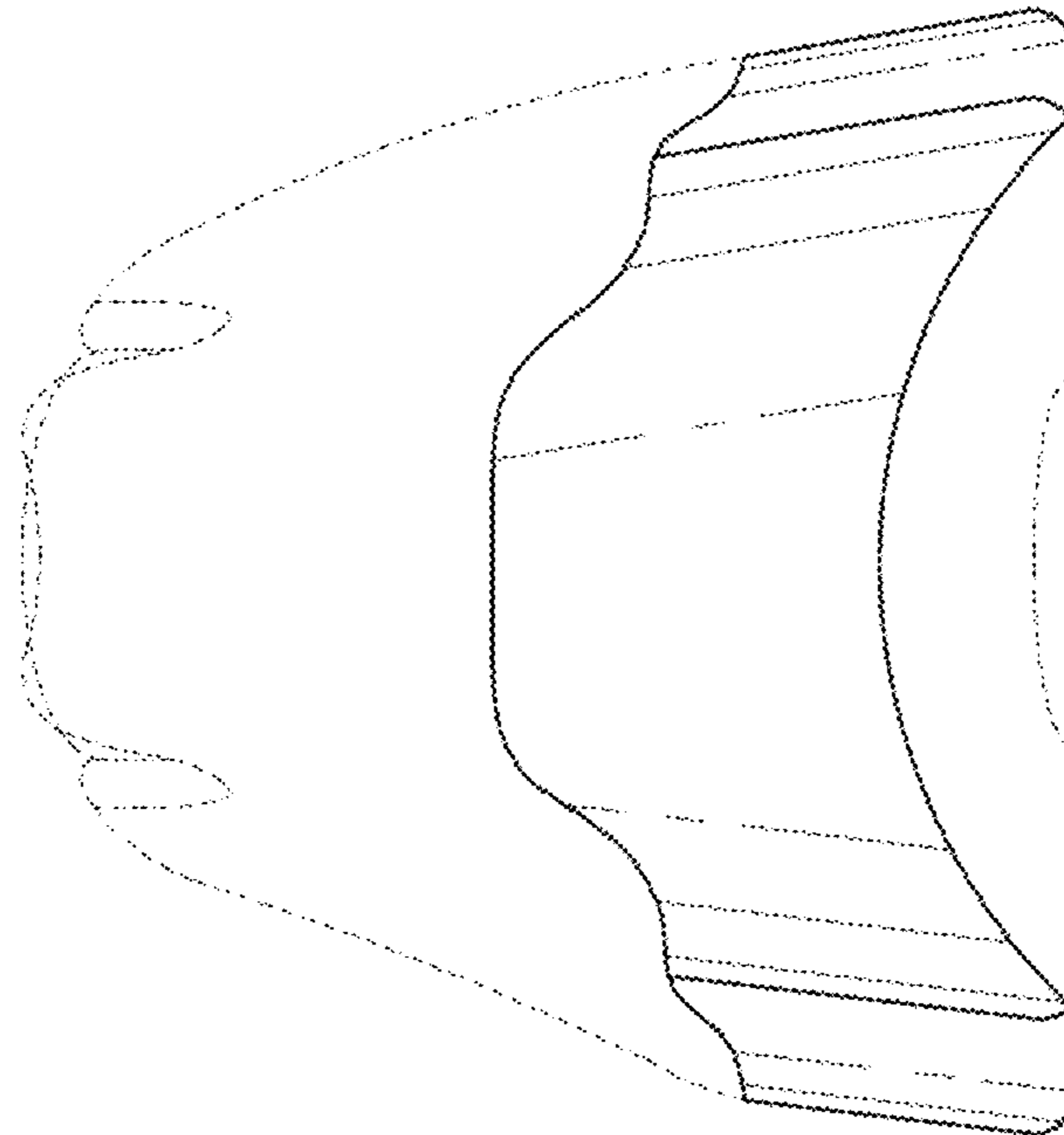


FIG. 7



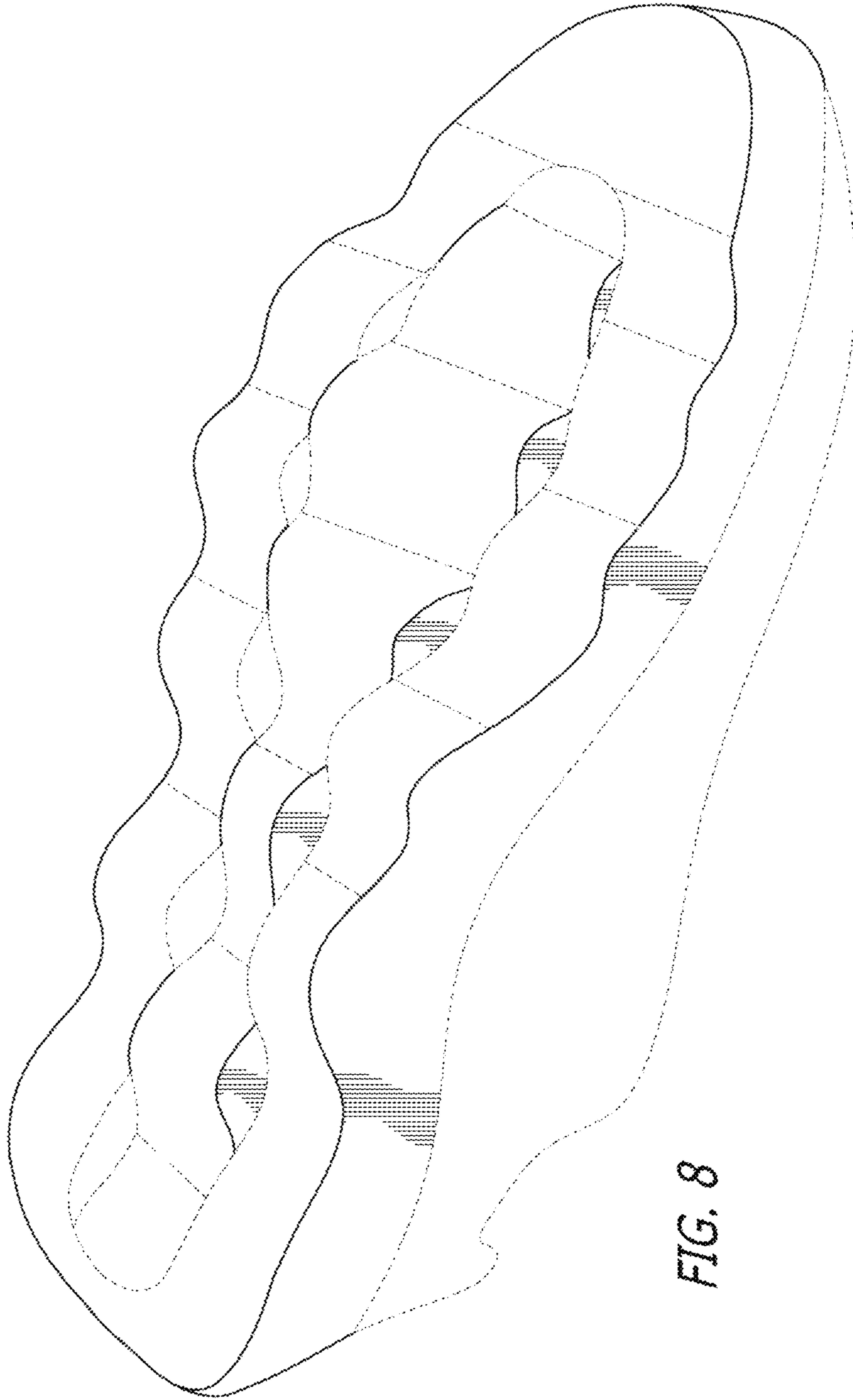
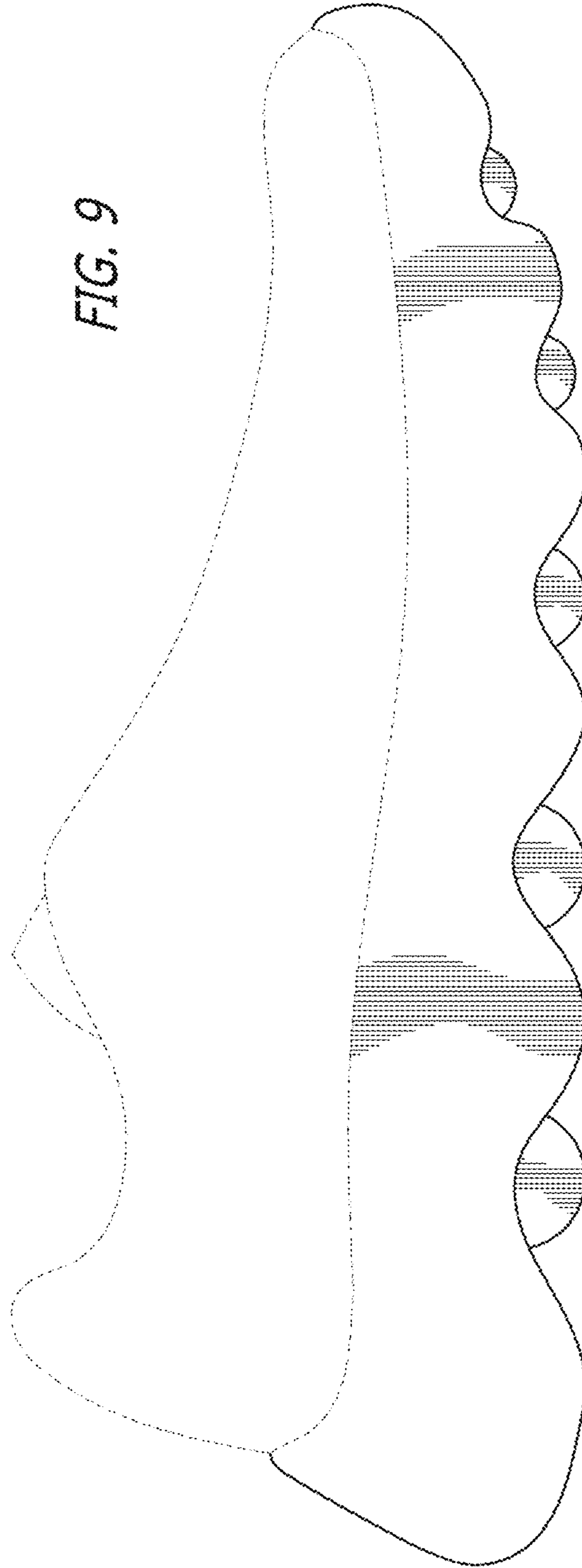


FIG. 8

FIG. 9



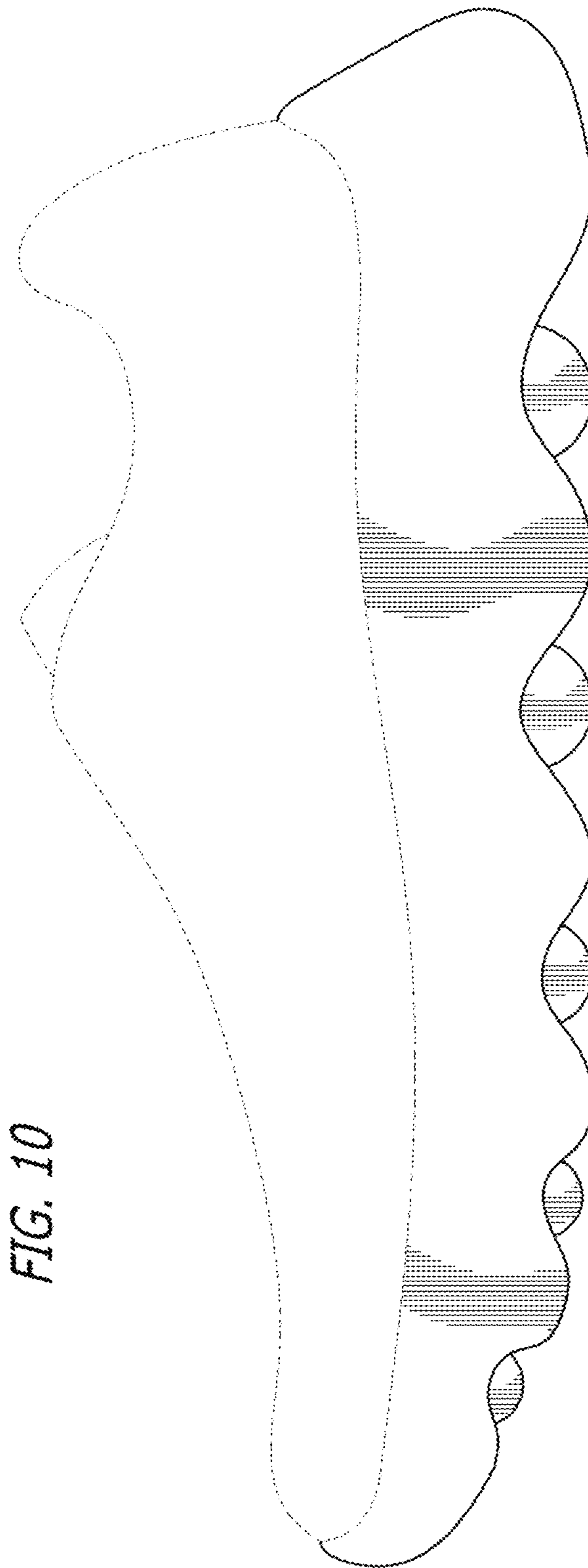


FIG. 10

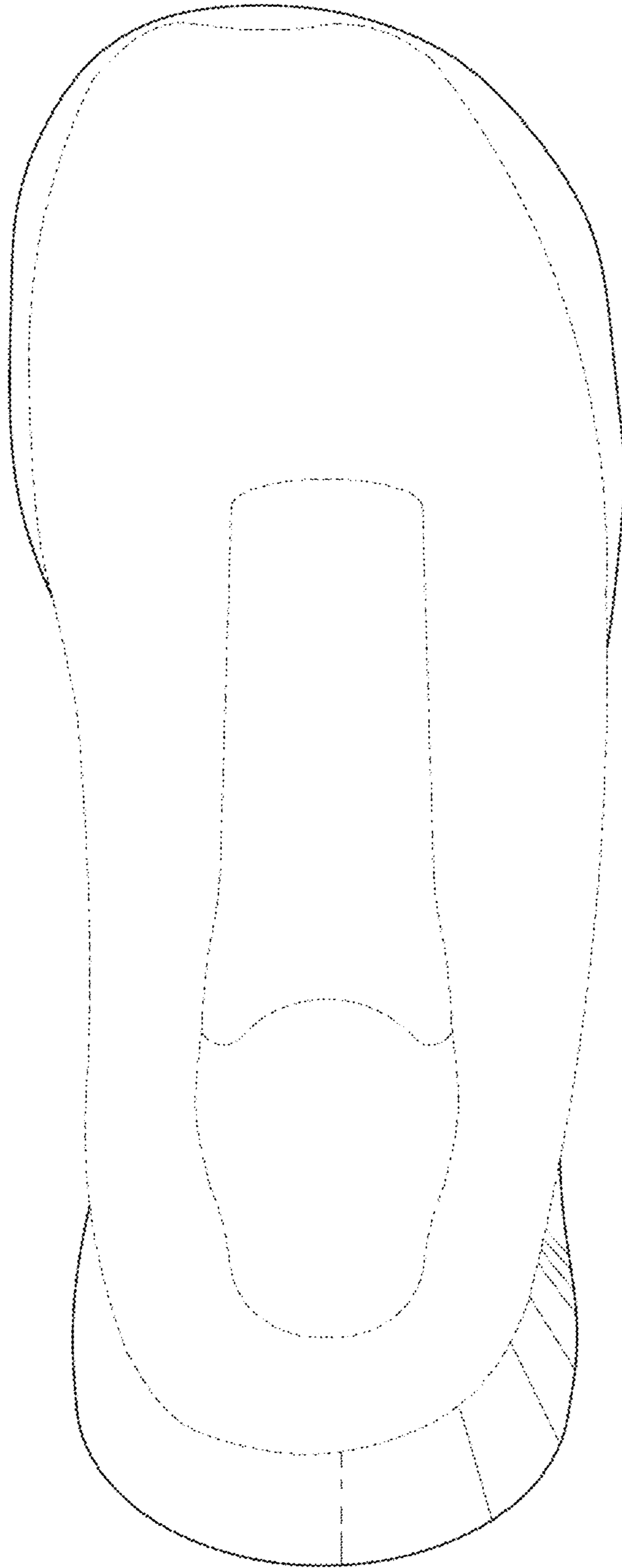


FIG. 11

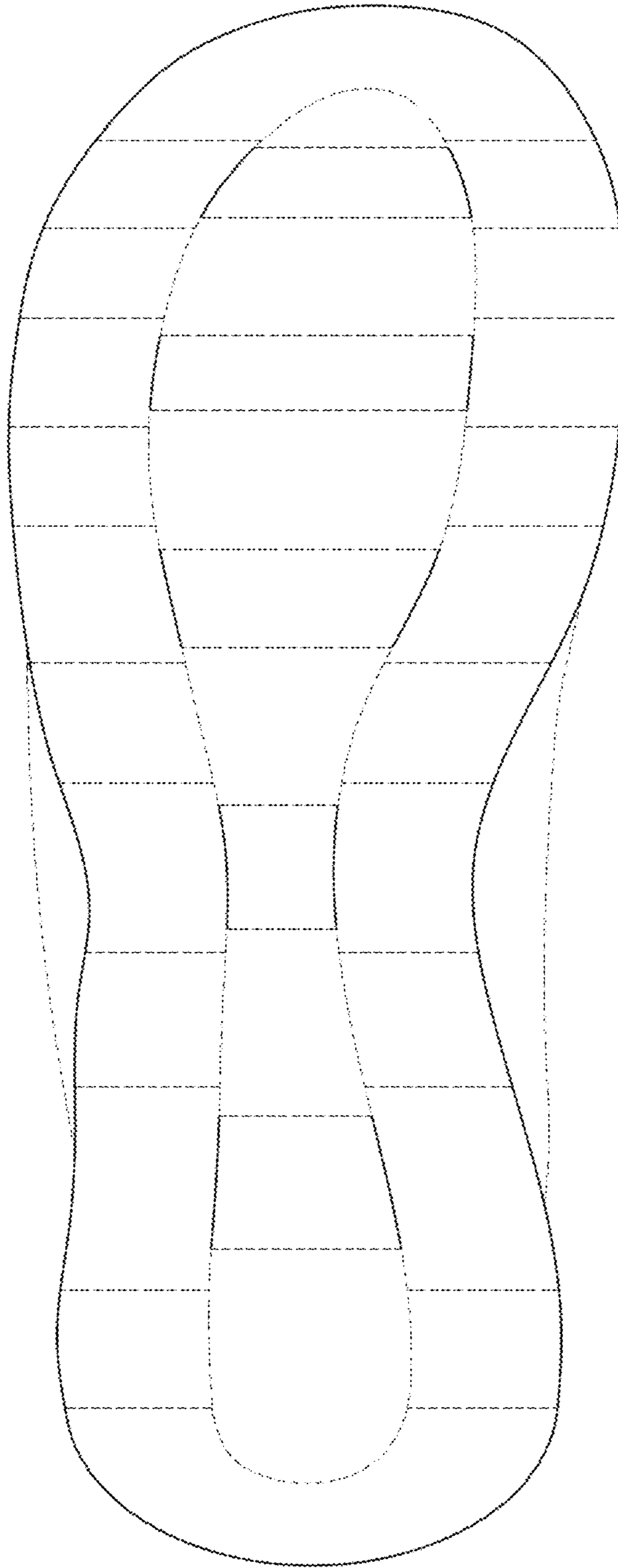


FIG. 12

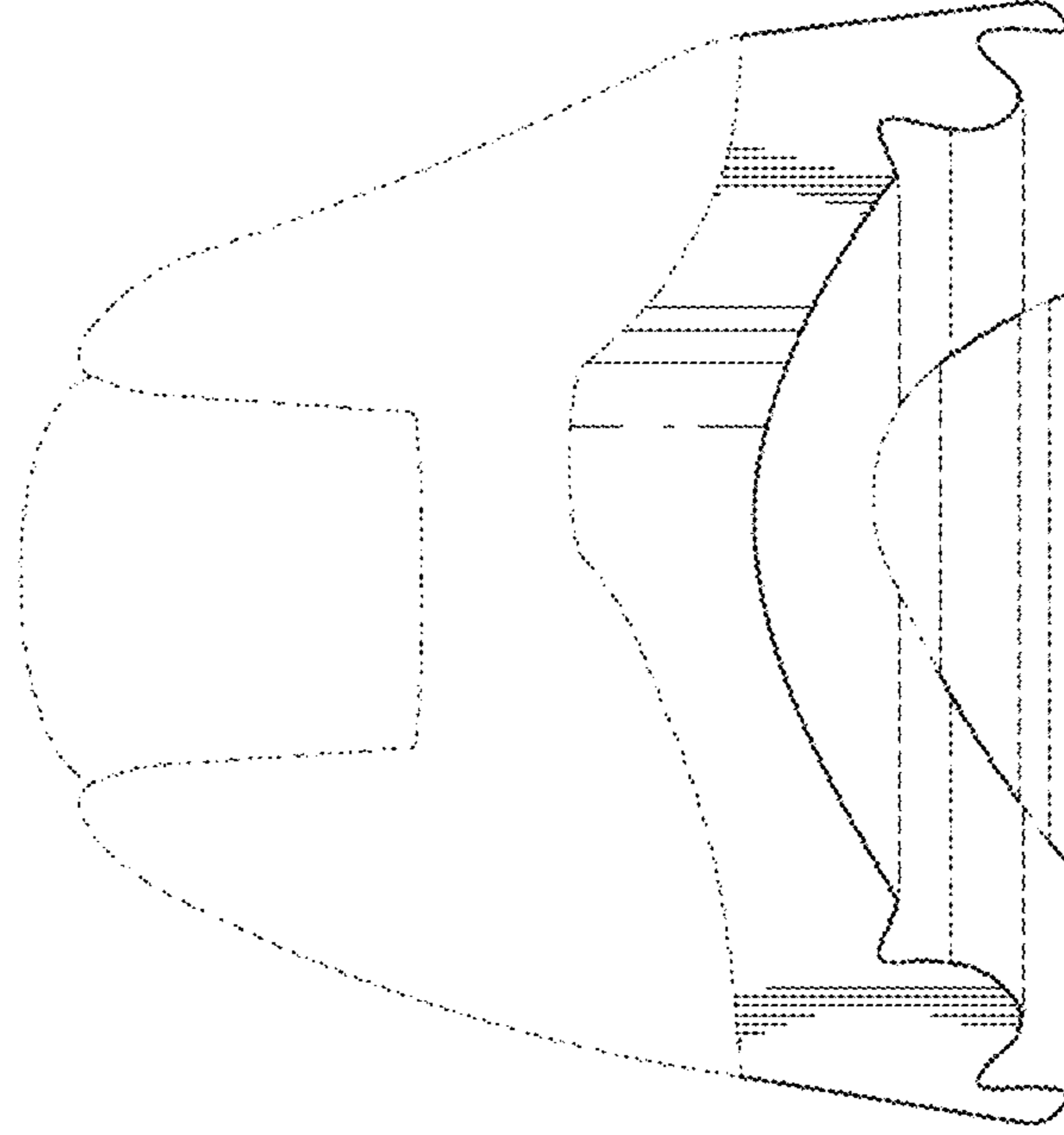


FIG. 13

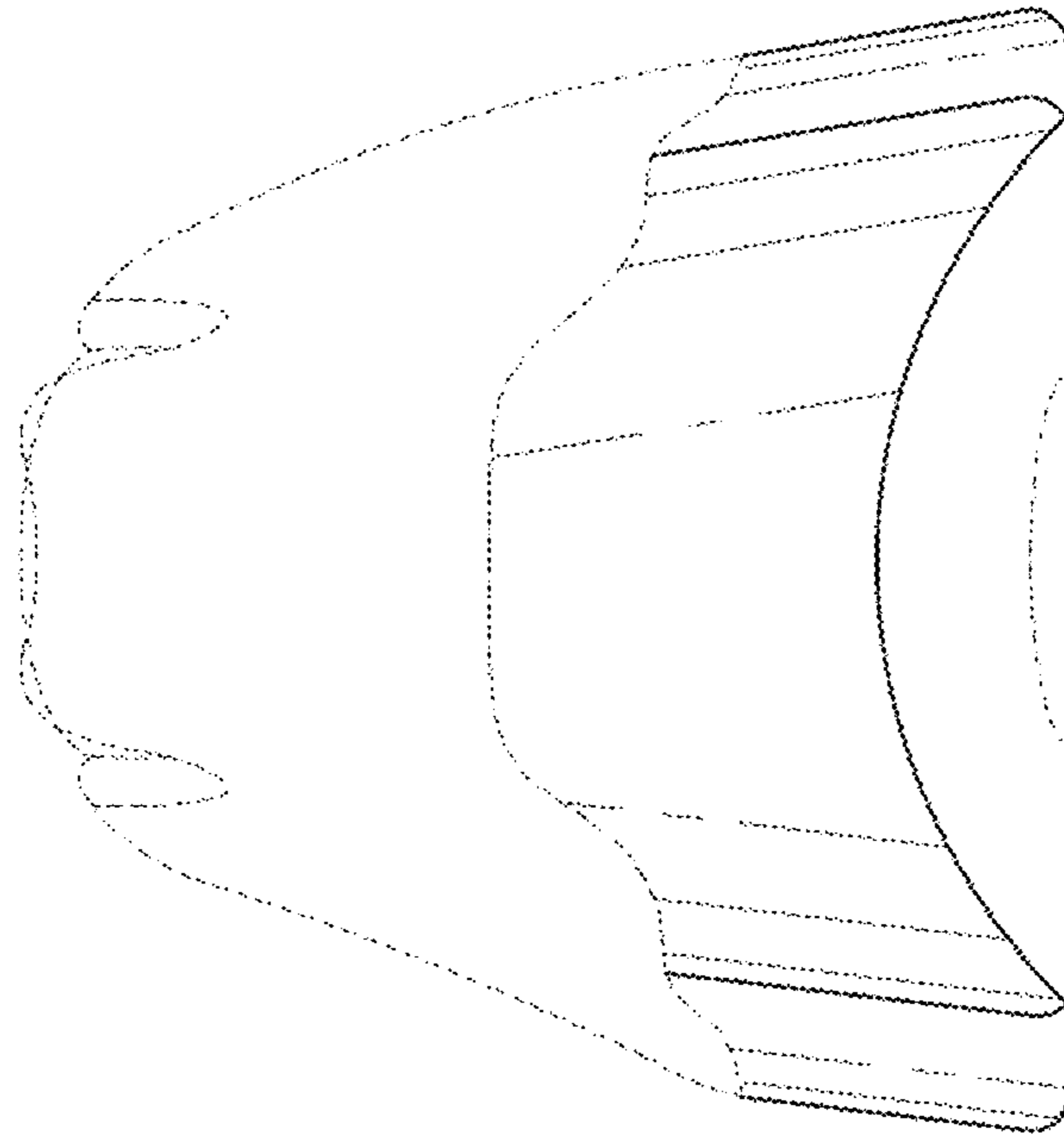


FIG. 14