



US00D929710S

(12) **United States Design Patent** (10) **Patent No.:** **US D929,710 S**  
**Chao et al.** (45) **Date of Patent:** **\*\* Sep. 7, 2021**

(54) **SHOE**  
(71) Applicant: **Cole Haan LLC**, Greenland, NH (US)  
(72) Inventors: **Pablo Chao**, Greenland, NH (US);  
**Kyle Jenkins**, Greenland, NH (US)

4,594,799 A 6/1986 Lin  
D294,192 S 2/1988 Igoe  
D301,184 S 5/1989 Hase  
D305,889 S 2/1990 Plunkett et al.  
(Continued)

(73) Assignee: **COLE HAAN LLC**, Greenland, NH (US)

(\*\*) Term: **15 Years**

(21) Appl. No.: **29/713,107**

(22) Filed: **Nov. 13, 2019**

(51) **LOC (13) Cl.** ..... **02-04**

(52) **U.S. Cl.**  
USPC ..... **D2/947**

(58) **Field of Classification Search**  
USPC ..... D2/902, 906, 908, 916, 918, 925,  
D2/946-962, 977; 36/1, 1.5, 3 B, 22 R,  
36/24.5, 25 R, 28, 32 R, 34 R, 59 C,  
36/67 A, 101-107, 114-116, 117.3, 117.4,  
36/124-136  
CPC ..... A43B 13/00; A43B 13/02; A43B 13/023;  
A43B 13/026; A43B 13/04; A43B 13/08;  
A43B 13/10; A43B 13/12; A43B 13/14;  
A43B 13/141; A43B 13/143; A43B  
13/16; A43B 13/18; A43B 13/181; A43B  
13/187; A43B 13/189; A43B 13/20; A43B  
13/22; A43B 13/223; A43B 13/24; A43B  
13/28; A43B 13/30; A43B 13/32; A43B  
13/34; A43B 13/36

See application file for complete search history.

(56) **References Cited**

**U.S. PATENT DOCUMENTS**

D111,279 S 9/1938 Elkin  
D243,421 S \* 2/1977 Cohen ..... D2/907  
D245,293 S \* 8/1977 Krome ..... D2/907  
4,133,118 A \* 1/1979 Khalsa ..... A43B 7/14  
36/29  
D273,631 S 5/1984 Ueda

**OTHER PUBLICATIONS**

Nike Killshot 2 Leather, Nike.com, [online], [site visited Apr. 20, 2021]. <URL: [https://www.nike.com/t/killshot-2-leather-mens-shoe-zrq1wk/432997-128?nikemt=true&cp=81742485461\\_search\\_%7CPRODUCT\\_GROUP%7CGOOGLE%7C71700000052538341%7CAII\\_X\\_X\\_X\\_X-Device\\_X\\_Nike-FullPrice\\_X%7C%7Cc&gclsrc=aw.ds&&gclid=](https://www.nike.com/t/killshot-2-leather-mens-shoe-zrq1wk/432997-128?nikemt=true&cp=81742485461_search_%7CPRODUCT_GROUP%7CGOOGLE%7C71700000052538341%7CAII_X_X_X_X-Device_X_Nike-FullPrice_X%7C%7Cc&gclsrc=aw.ds&&gclid=) (Year: 2021) EAIalQobChMlt\_j2y6SN8AIVEb3ICh0y6goNEAQYBCABEgLQ-\_D\_BwE&gclsrc=aw.ds> (Year: 2021).\*

(Continued)

*Primary Examiner* — T Chase Nelson  
*Assistant Examiner* — Jonathan J. Han  
(74) *Attorney, Agent, or Firm* — Thompson Coburn LLP

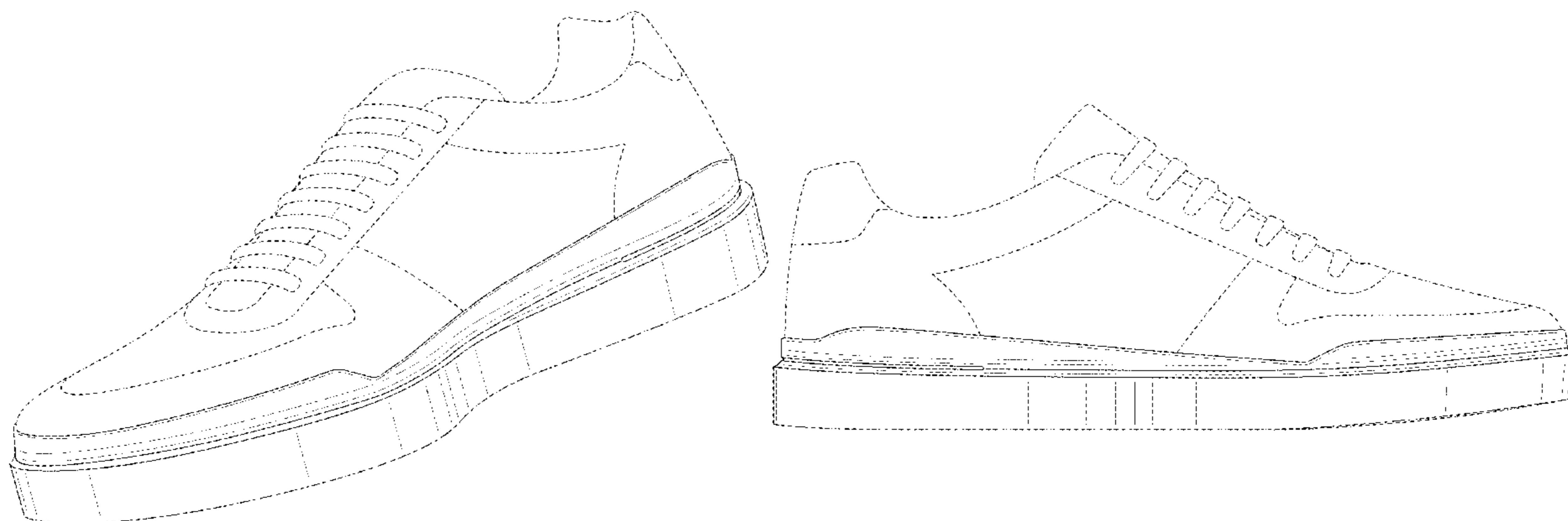
(57) **CLAIM**

The ornamental design for a shoe, as shown and described.

**DESCRIPTION**

FIG. 1 is a first perspective view of a shoe showing our new design;  
FIG. 2 is a second perspective view thereof;  
FIG. 3 is a front view thereof;  
FIG. 4 is a rear view thereof;  
FIG. 5 is a left side view thereof;  
FIG. 6 is a right side view thereof;  
FIG. 7 is a top view thereof; and,  
FIG. 8 is a bottom view thereof.  
The dash-dot-dash lines immediately adjacent the shaded areas represent the bounds of the claimed design while all other broken lines are directed to unclaimed portions of the shoe and are for illustrative purposes only; the broken lines form no part of the claimed design.

**1 Claim, 7 Drawing Sheets**



(56)

References Cited

U.S. PATENT DOCUMENTS

D312,917 S \* 12/1990 Hatfield ..... D2/977  
 D316,627 S 5/1991 Schneider  
 D329,132 S 9/1992 Ostberg  
 D331,658 S 12/1992 Blissett  
 5,203,792 A \* 4/1993 Kaiser ..... A43B 9/00  
 12/142 C  
 D335,572 S 5/1993 Peterson  
 D389,995 S 2/1998 Cockrell  
 D394,342 S 5/1998 Schneider  
 D401,743 S 12/1998 Wunsch  
 D402,451 S 12/1998 Wunsch  
 D412,239 S 7/1999 Sorofman  
 D427,758 S 7/2000 Schneider  
 D446,636 S 8/2001 McClaskie  
 D446,914 S 8/2001 Cockrell  
 D462,159 S 9/2002 Covatch  
 D488,916 S 4/2004 McClaskie  
 D509,949 S 9/2005 Wu  
 D541,017 S 4/2007 McClaskie  
 D554,839 S 11/2007 Jensen  
 D565,286 S 4/2008 McClaskie  
 D566,397 S 4/2008 Jones  
 D569,088 S 5/2008 Poetsch  
 D580,143 S 11/2008 Schoenborn et al.  
 D582,136 S \* 12/2008 Cofinco ..... D2/910  
 D609,898 S 2/2010 Carbonere et al.  
 D634,923 S 3/2011 Lacey  
 D636,156 S 4/2011 Della Valle et al.  
 D638,616 S 5/2011 Gibson  
 D656,716 S 4/2012 Eades et al.  
 D680,712 S 4/2013 Della Valle et al.  
 D737,553 S 9/2015 Della Valle et al.  
 D740,002 S 10/2015 Della Valle et al.  
 D751,797 S 3/2016 Slimane  
 D791,465 S 7/2017 Ratzlaff  
 D792,078 S 7/2017 Greenspan  
 D793,676 S \* 8/2017 Slimane ..... D2/902  
 D794,315 S 8/2017 Kanata  
 D801,645 S 11/2017 Sassi  
 D813,502 S 3/2018 Weidenbach Gerbase  
 9,974,356 B2 \* 5/2018 Foxen ..... A43B 5/00  
 D845,591 S \* 4/2019 Frank ..... D2/907  
 D848,122 S 5/2019 Mayden et al.  
 D848,123 S \* 5/2019 Gallo ..... D2/907  
 D853,094 S \* 7/2019 Young ..... D2/947  
 D858,953 S 9/2019 Sassi  
 D859,796 S \* 9/2019 McLellan ..... D2/944  
 D863,735 S 10/2019 Della Valle et al.  
 D865,336 S 11/2019 Jenkins et al.  
 D866,134 S \* 11/2019 McMillan ..... D2/947  
 D874,097 S 2/2020 Fang  
 D875,355 S 2/2020 Fang  
 D875,379 S 2/2020 Makere  
 D879,438 S 3/2020 Brosseau et al.

D882,215 S 4/2020 Comazzetto  
 D885,028 S 5/2020 Yu  
 D888,381 S 6/2020 Chao  
 D891,042 S \* 7/2020 Gallo ..... D2/902  
 D891,049 S 7/2020 Chao et al.  
 D893,152 S 8/2020 Jenkins et al.  
 D894,543 S 9/2020 Lopez Cali  
 D894,544 S \* 9/2020 Beaver ..... D2/902  
 D894,563 S 9/2020 Weddle et al.  
 D894,571 S 9/2020 Jenkins et al.  
 D901,855 S \* 11/2020 Cruz ..... D2/947  
 D906,651 S \* 1/2021 O'Connor ..... D2/947  
 D915,746 S \* 4/2021 Van De Stouwe ..... D2/947  
 2012/0233885 A1 \* 9/2012 Shaffer ..... A43B 13/141  
 36/103  
 2013/0118036 A1 5/2013 Gibson  
 2013/0283641 A1 \* 10/2013 Rapf ..... A43B 13/141  
 36/103  
 2014/0109440 A1 4/2014 McDowell et al.  
 2019/0163045 A1 \* 5/2019 Hsu ..... G01F 23/2927  
 2019/0365012 A1 \* 12/2019 Jenkins ..... A43B 13/14  
 2019/0365035 A1 12/2019 Jenkins et al.

OTHER PUBLICATIONS

Cole Haan Men's Grandpro Rally Laser Perf Sneaker, Amazon.com, Date First Available: Aug. 18, 2019, [online], [site visited Apr. 20, 2021]. <URL: <https://www.amazon.com/Cole-Haan-Grandpro-Rally-Sneaker/dp/B08SCS283S>> (Year: 2019).\*

GrandPro Rally Laser Cut Sneaker, ColeHaan.com, [online], [site visited Apr. 20, 2021]. <URL: <https://www.colehaan.com/grandpro-rally-laser-cut-sneaker-navy-nubuck/C31422.html>> (Year: 2021).\*

GrandPro AM Golf Sneaker, ColeHaan.com, [online], [site visited Apr. 20, 2021]. <URL: <https://www.colehaan.com/grandpro-am-golf-sneaker-habana/C34306.html>> (Year: 2021).\*

Cole Haan GrandPro Rally Laser Cut Sneaker Review (16 hours walk test review), YouTube.com <<http://YouTube.com>>, Dec. 20, 2020, Jan The reviewer, [online], [site visited Jan. 28, 2021]. <URL: Cole Haan GrandPro Rally Laser Cut Sneaker Review (16 hours walk test review)—YouTube> (Year: 2020).

Emerica The Tennpster—First Look Review, VeganSkateBlog.com <<http://VeganSkateBlog.com>>, Posted on Feb. 22, 2013 by Kerry Weber, [online], [site visited Jan. 28, 2021]. <URL: Emerica The Tennpster—First Look Review | Vegan Skate Blog> (Year: 2013).

GrandPro Rally Laser Cut Sneaker, ColeHaan.com <<http://ColeHaan.com>>, [online], [site visited Jan. 28, 2021]. <URL: Men's GrandPro Rally Laser Cut Sneaker in Ironstone—Optic White | Cole Haan> (Year: 2021).

GrandPro Rally Sneakers posted by Cole Haan posted date unknown, © ColeHaan, [online], [site visited Oct. 9, 2020]. Available from Internet, <<https://www.colehaan.com/grandpro-rally-court-sneaker-vintage-indigo-nubuck/C32118.html>> (Year: 2020).

\* cited by examiner

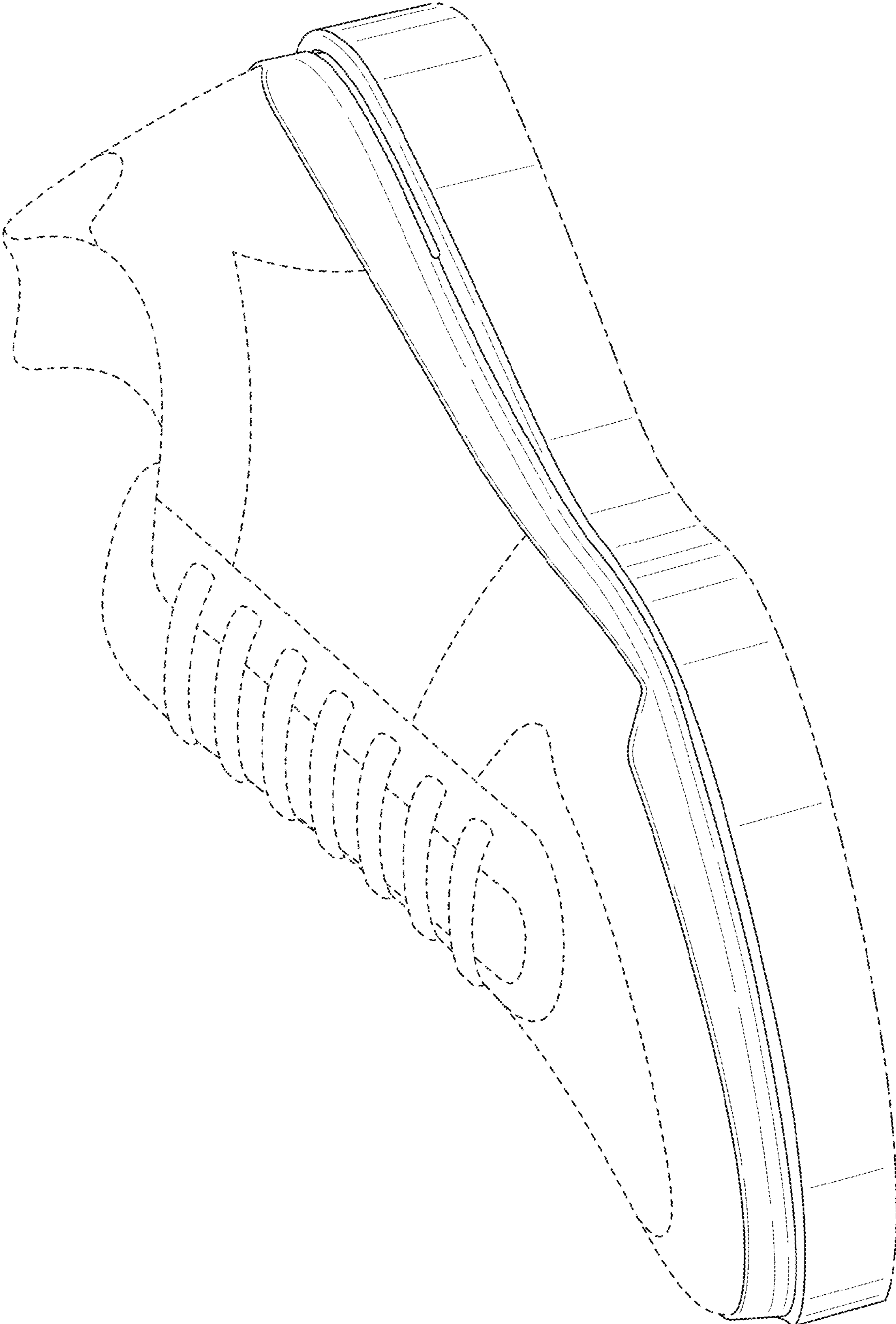


FIG. 1

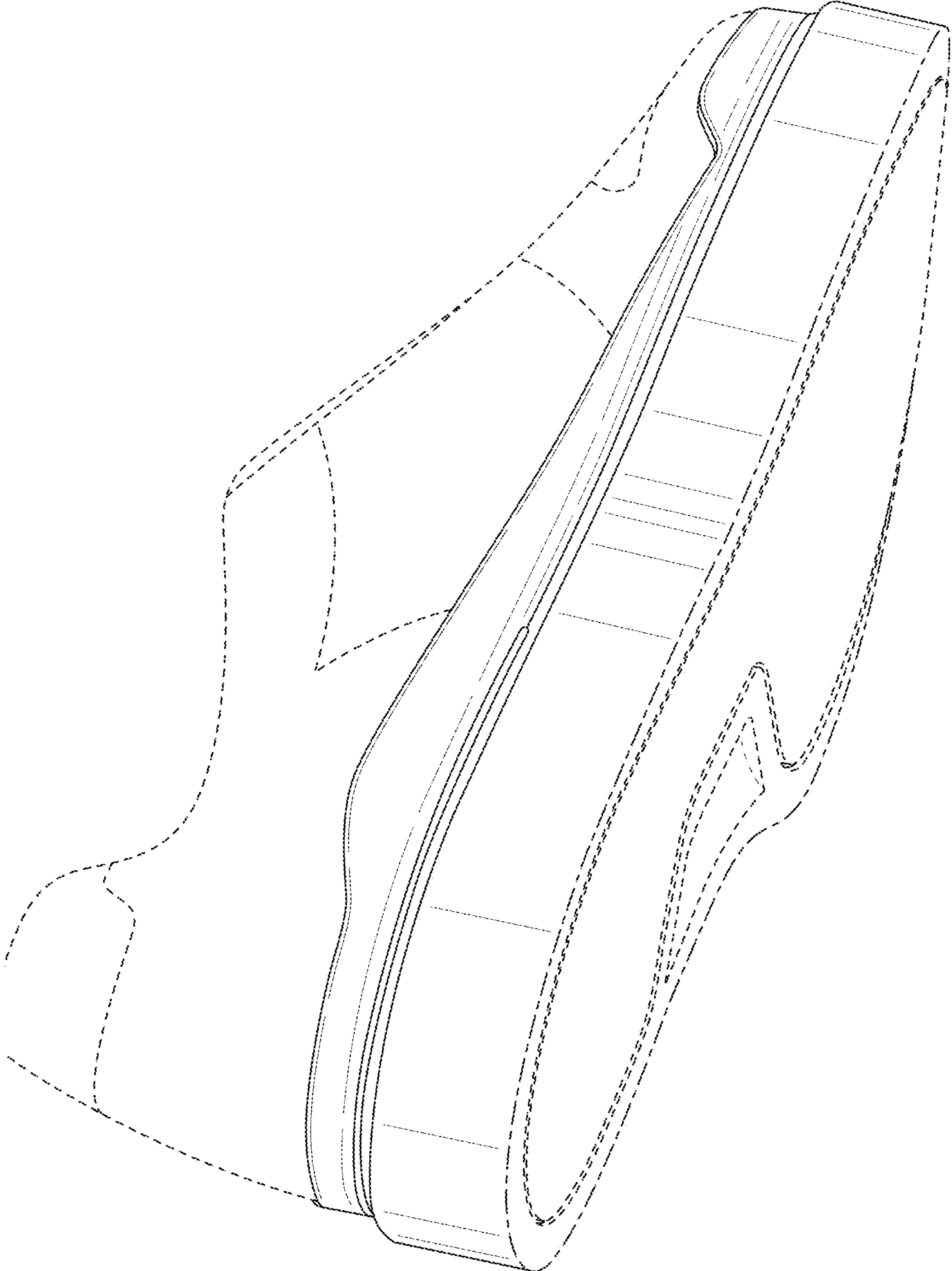


FIG. 2

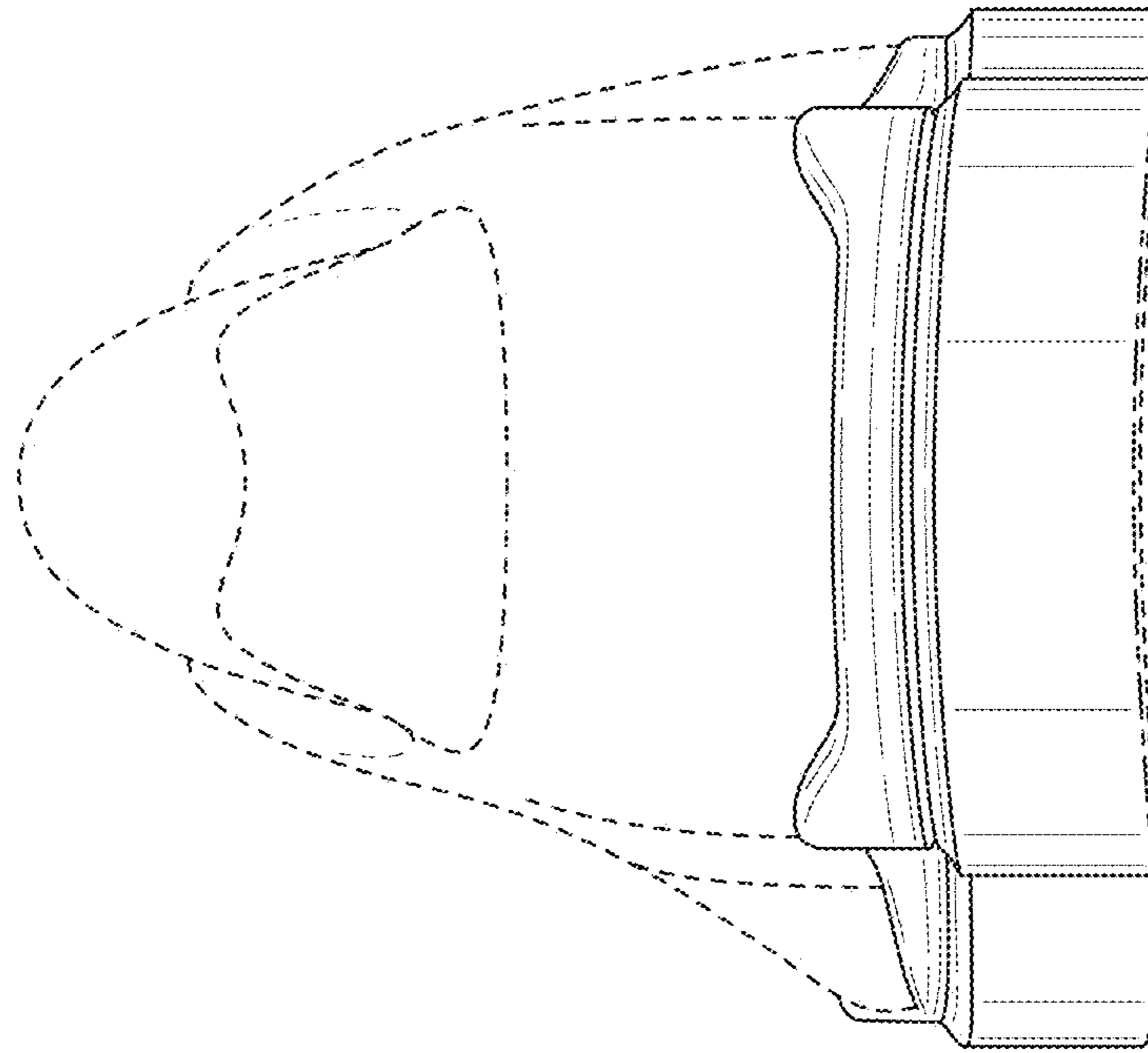


FIG. 3

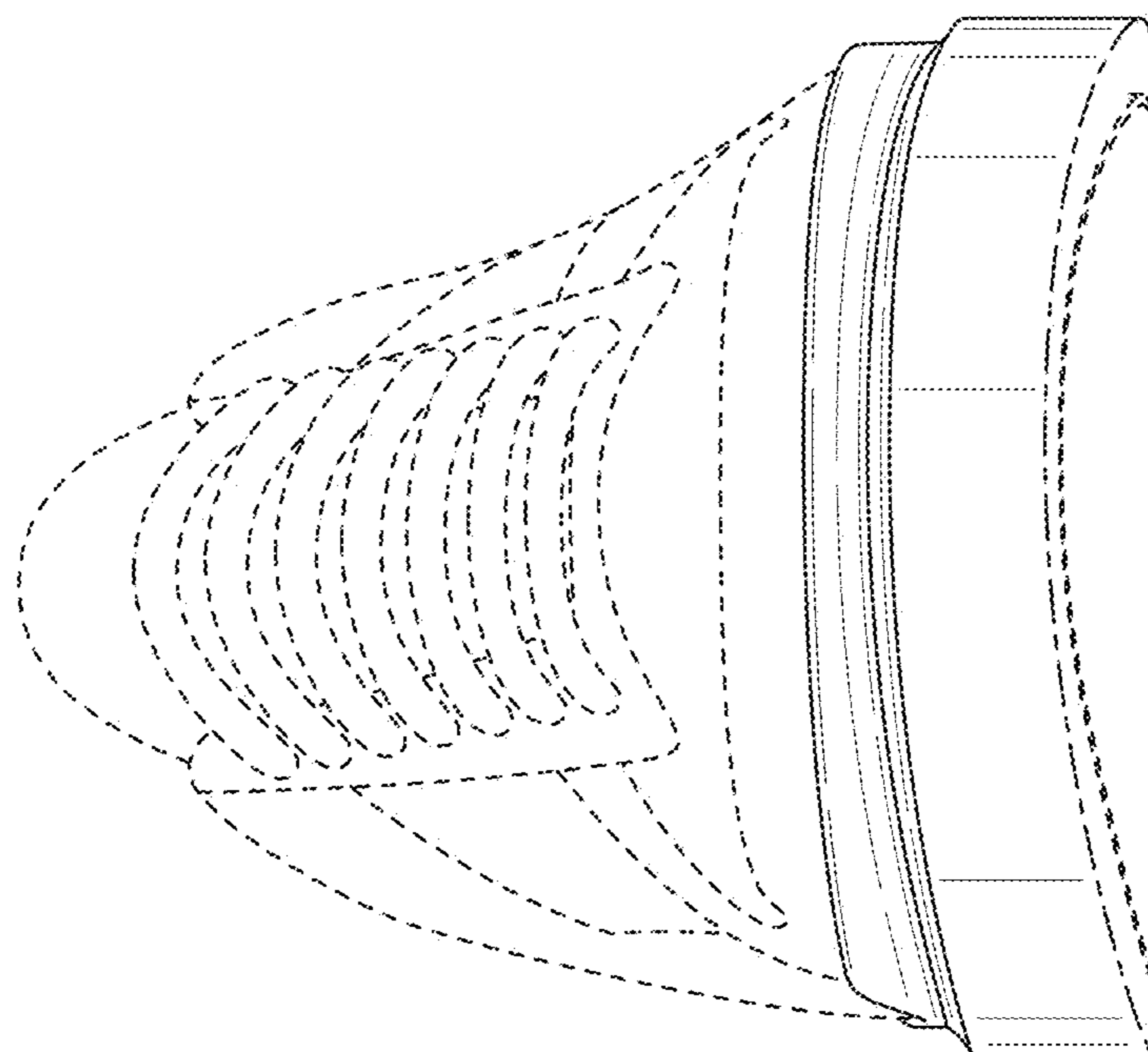


FIG. 4

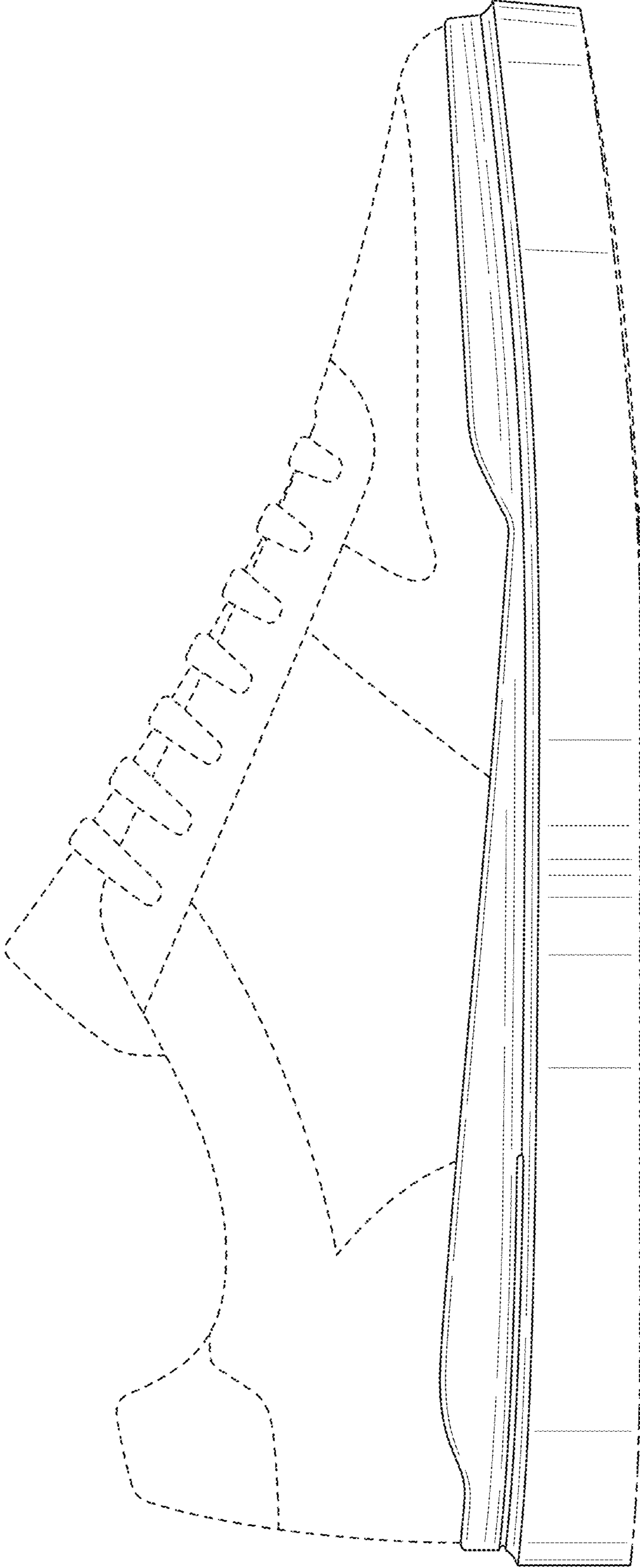


FIG. 5

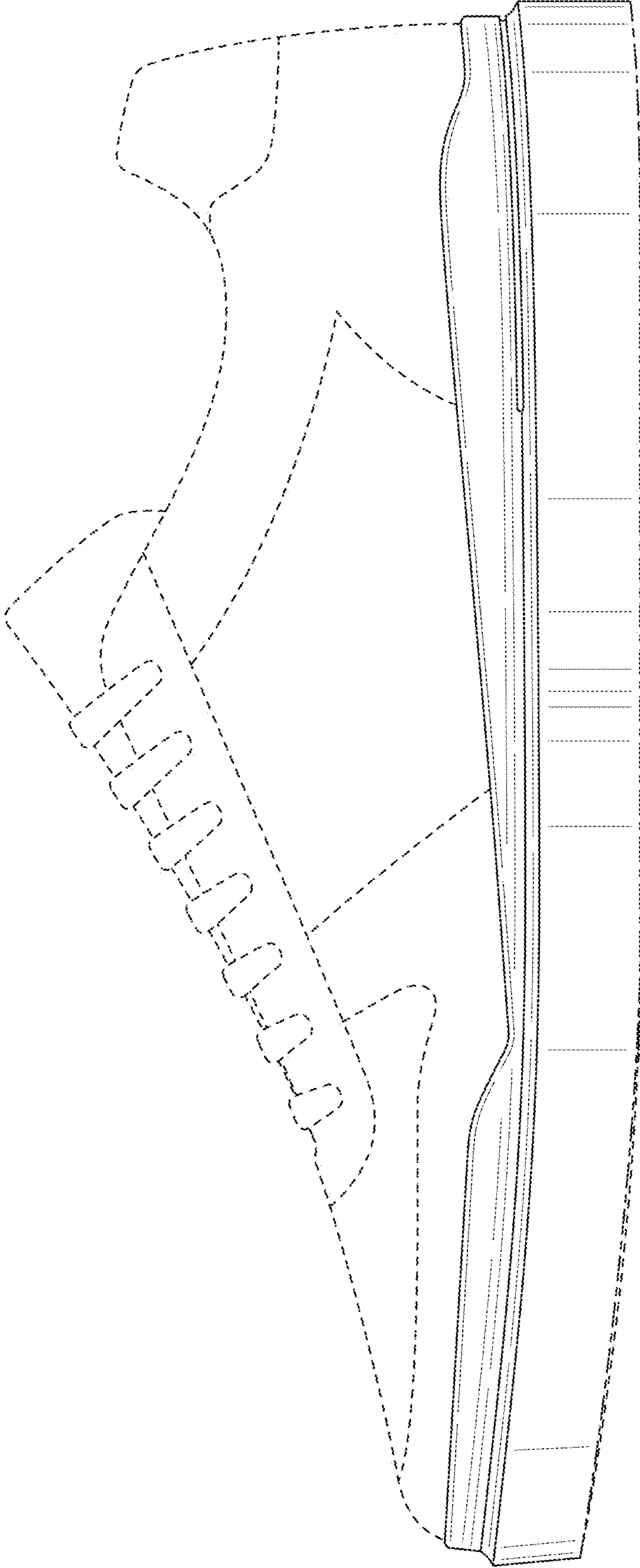


FIG. 6

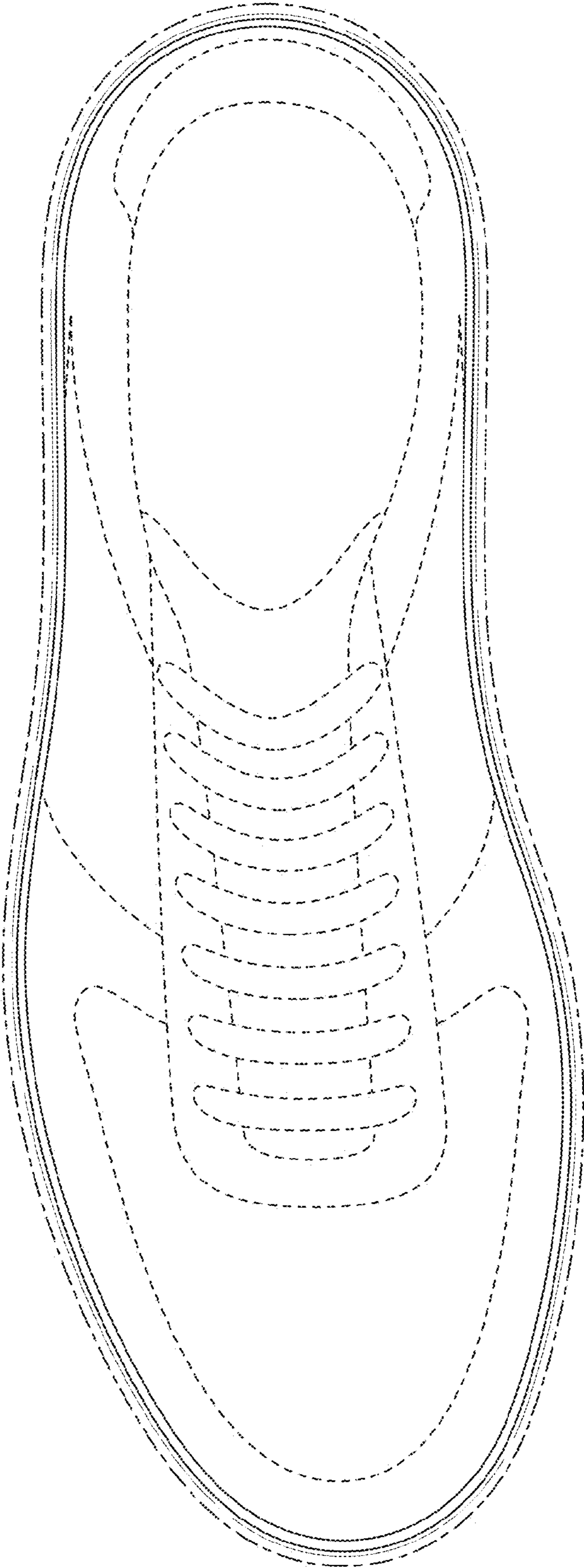


FIG. 7



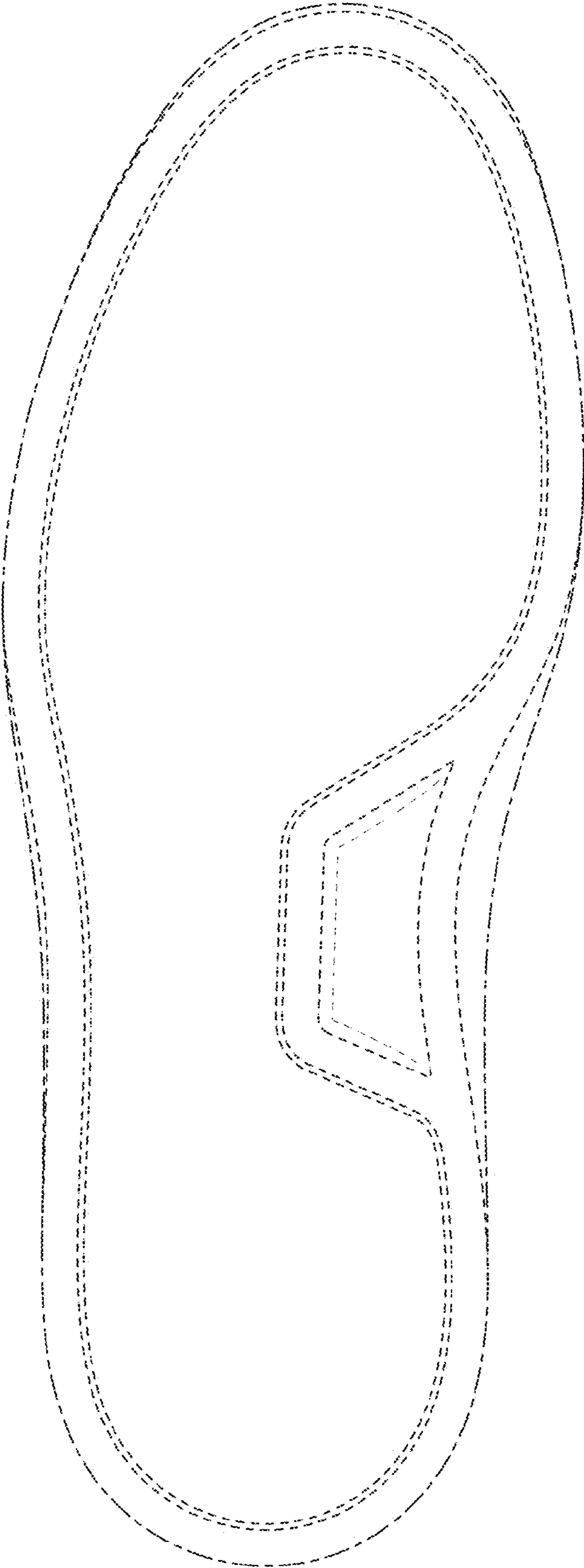


FIG. 8