



US00D929704S

(12) **United States Design Patent**  
**Diaz**

(10) **Patent No.:** **US D929,704 S**

(45) **Date of Patent:** **\*\* Sep. 7, 2021**

(54) **HEADWEAR WITH FACE SHIELD**

(71) Applicant: **Wilfredo Diaz**, Framingham, MA (US)

(72) Inventor: **Wilfredo Diaz**, Framingham, MA (US)

(\*\*) Term: **15 Years**

(21) Appl. No.: **29/734,169**

(22) Filed: **May 9, 2020**

(51) **LOC (13) Cl.** ..... **02-03**

(52) **U.S. Cl.**

USPC ..... **D2/866**; D29/105

(58) **Field of Classification Search**

USPC ..... D2/865, 866, 867, 868, 869, 870, 872,  
D2/873, 875, 876, 878, 879, 881, 882,  
D2/883, 891, 894, 895; D29/105, 109,  
D29/110

CPC ..... A42B 1/00; A42B 1/004; A42B 1/006;  
A42B 1/008; A42B 1/012; A42B 1/014;  
A42B 1/018; A42B 1/0181; A42B  
1/0182; A42B 1/0184; A42B 1/0186;  
A42B 1/0187; A42B 1/0195; A42B 1/02;  
A42B 1/04; A42B 1/06; A42B 1/205;  
A42B 1/22; A42B 1/24; A42B 1/248;  
A42B 3/00; A42B 3/04; A42B 3/0406;  
A42B 3/18; A42B 3/20; A42B 3/225;  
A42B 5/00; A61F 9/04; A61F 9/045;  
A61F 9/06

See application file for complete search history.

(56) **References Cited**

**U.S. PATENT DOCUMENTS**

D199,931 S \* 12/1964 Kline ..... D29/110  
4,701,965 A \* 10/1987 Landis ..... A61F 9/02  
2/428  
4,864,653 A \* 9/1989 Landis ..... A42B 1/0181  
2/9  
D402,791 S \* 12/1998 Mishal ..... D2/879  
D404,846 S \* 1/1999 Day ..... D29/106

D459,573 S \* 7/2002 Schechter ..... D2/866  
6,584,614 B2 \* 7/2003 Hogg ..... A42B 1/247  
2/10  
7,103,920 B1 \* 9/2006 Otterson ..... A42B 1/247  
2/195.1  
D633,694 S \* 3/2011 Korper ..... D2/866  
D662,693 S \* 7/2012 Becker ..... D2/882  
D684,753 S \* 6/2013 Arenson ..... D2/866  
9,380,822 B2 \* 7/2016 Foster ..... A42B 1/18  
D779,168 S \* 2/2017 Arenson ..... D2/866  
10,299,526 B2 \* 5/2019 DuCasse ..... A42B 1/0187  
D907,299 S \* 1/2021 Brown, II ..... D29/110  
2015/0047112 A1 \* 2/2015 Foster ..... A42B 1/0187  
2/422  
2015/0089709 A1 \* 4/2015 DuCasse ..... A42B 1/0187  
2/69  
2019/0174855 A1 \* 6/2019 D'ambrosio ..... A42B 1/0185  
(Continued)

*Primary Examiner* — Jasmine Mlinarcik

(74) *Attorney, Agent, or Firm* — Kriegsmann & Kriegsmann

(57) **CLAIM**

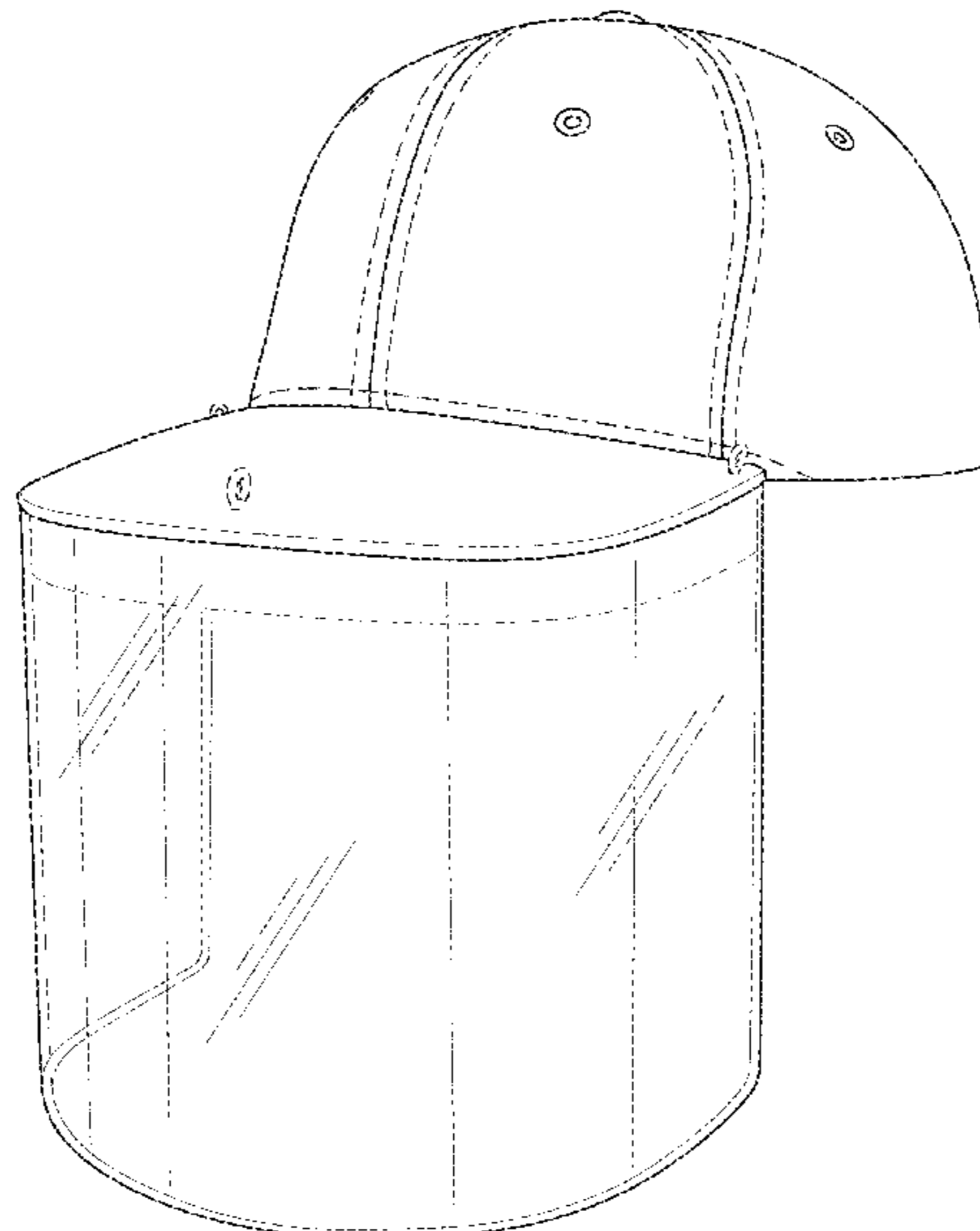
The ornamental design for a headwear with face shield, as shown and described.

**DESCRIPTION**

FIG. 1 is a front perspective view of a headwear with face shield showing my new design;  
FIG. 2 is a left side view thereof;  
FIG. 3 is a right side view thereof;  
FIG. 4 is a front view thereof;  
FIG. 5 is a rear view thereof;  
FIG. 6 is a top view thereof; and,  
FIG. 7 is a bottom view thereof.

The broken line outline of aspects of the face shield, as well as the loops along the surface of the visor, define portions of the headwear with face shield that form no part of the claimed design. The broken lines along the headwear crown and headwear strap of the headwear with face shield depict claimed stitching.

**1 Claim, 7 Drawing Sheets**



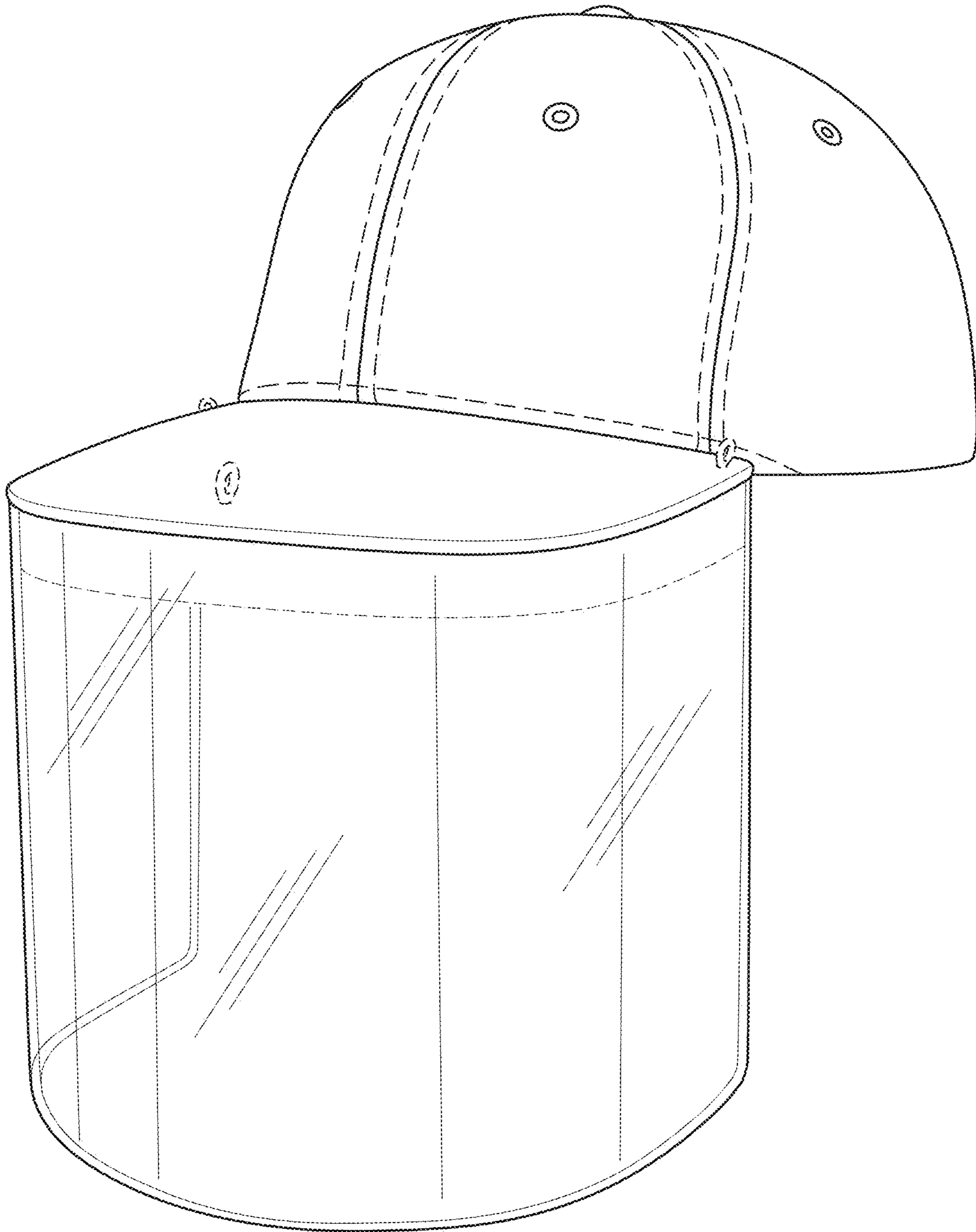
(56)

**References Cited**

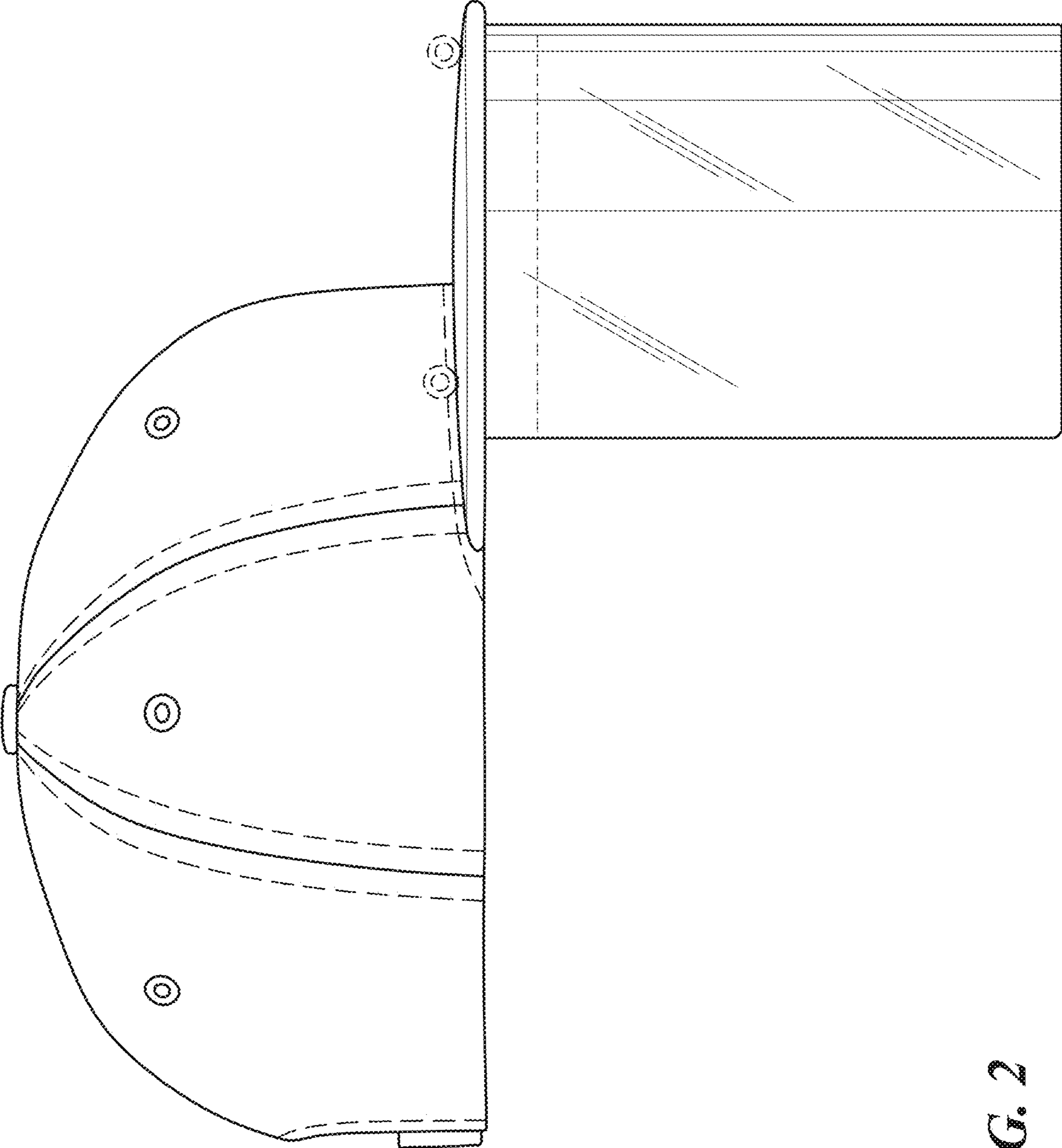
U.S. PATENT DOCUMENTS

2020/0281301 A1\* 9/2020 Wynalda, Jr. .... A42B 1/0181  
2021/0059341 A1\* 3/2021 Lenterman ..... A42B 1/0185

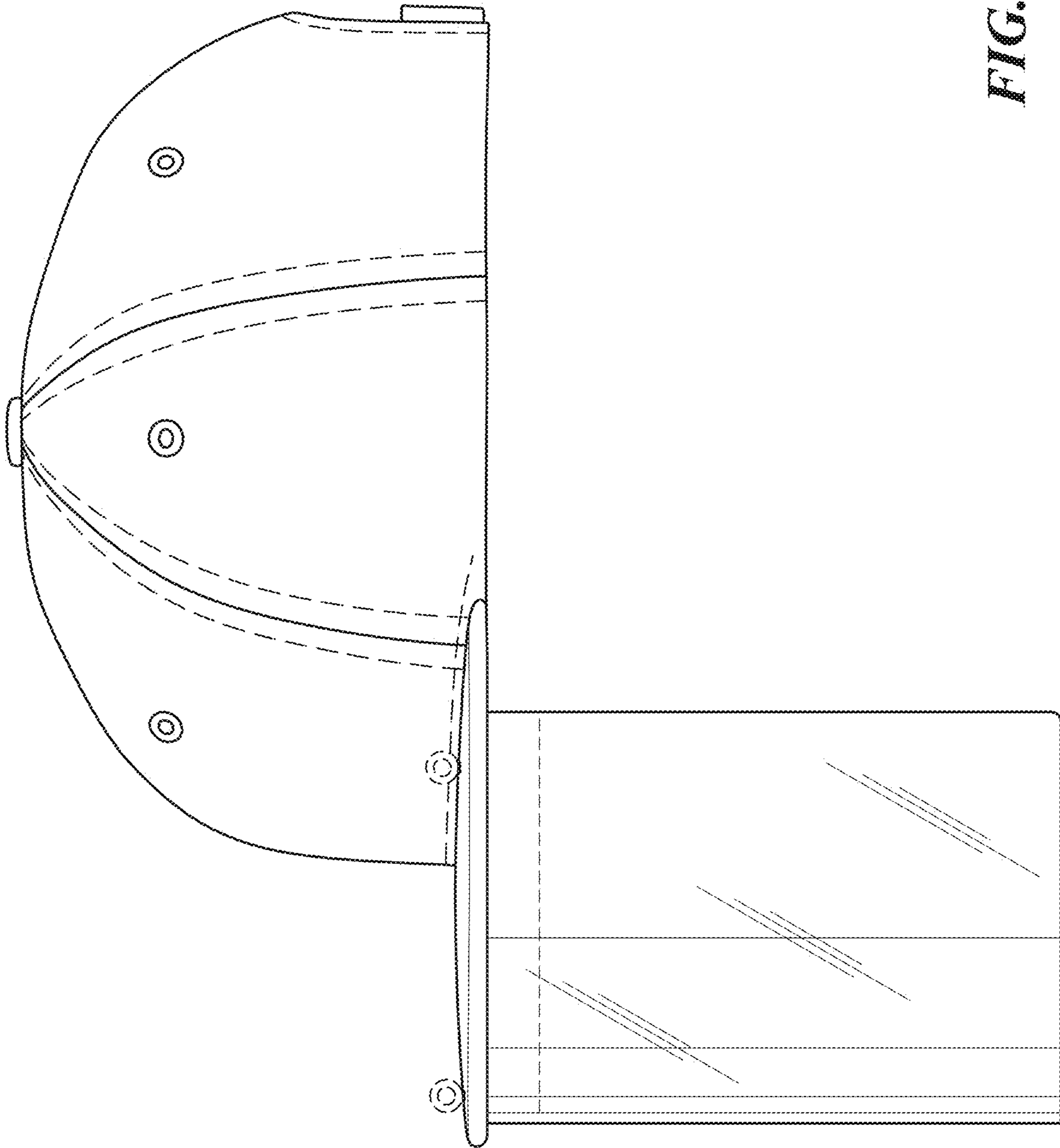
\* cited by examiner



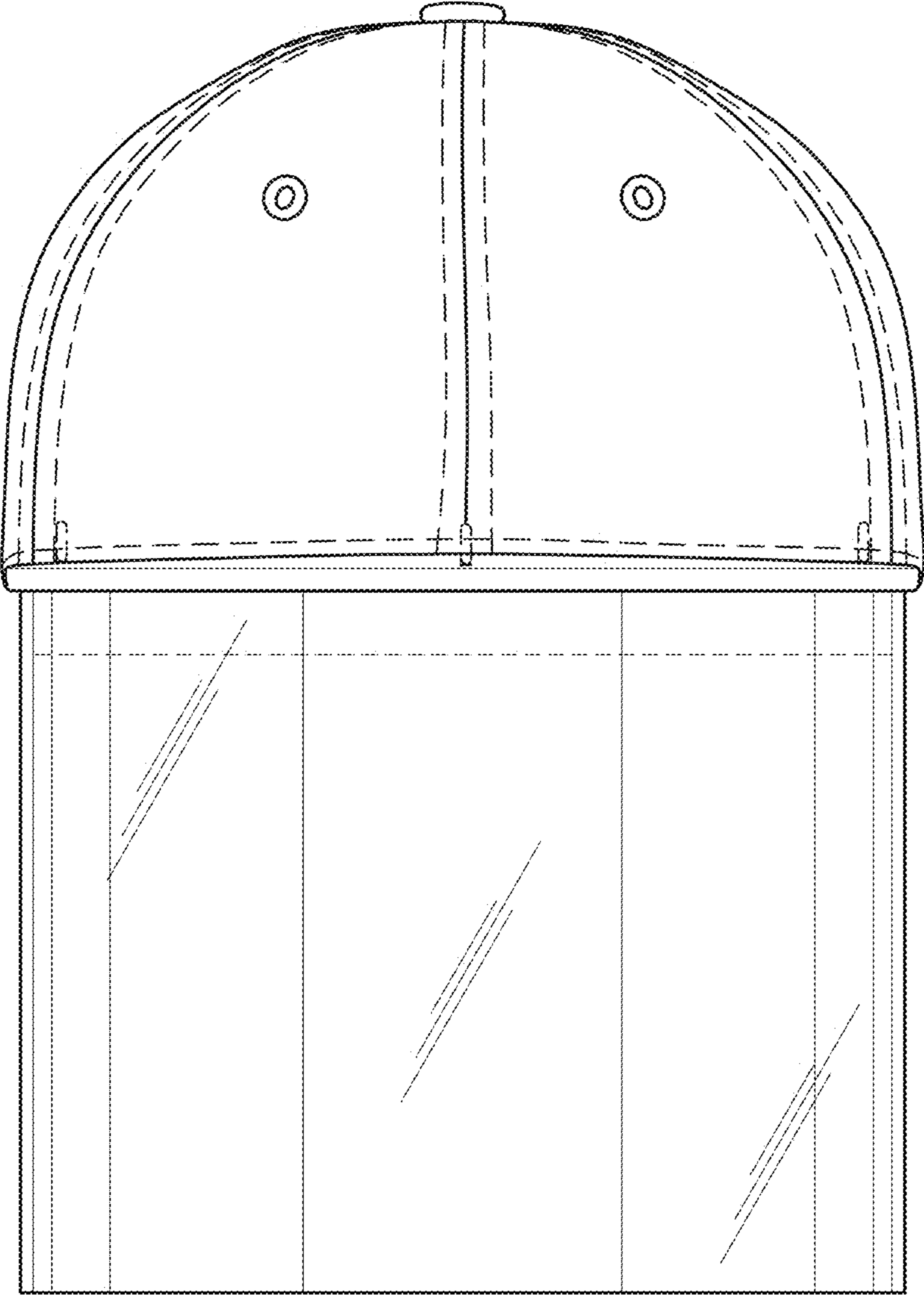
**FIG. 1**



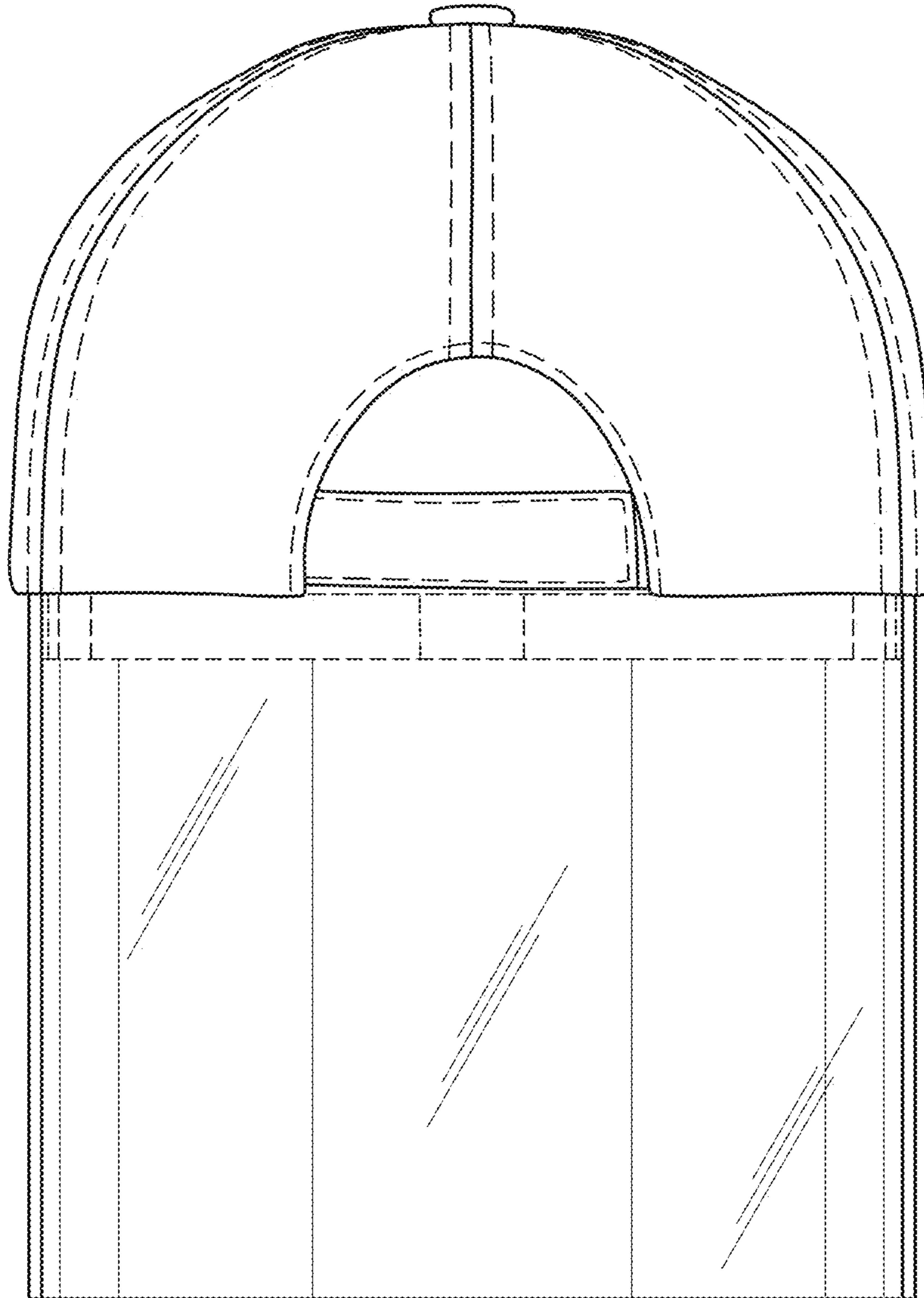
**FIG. 2**



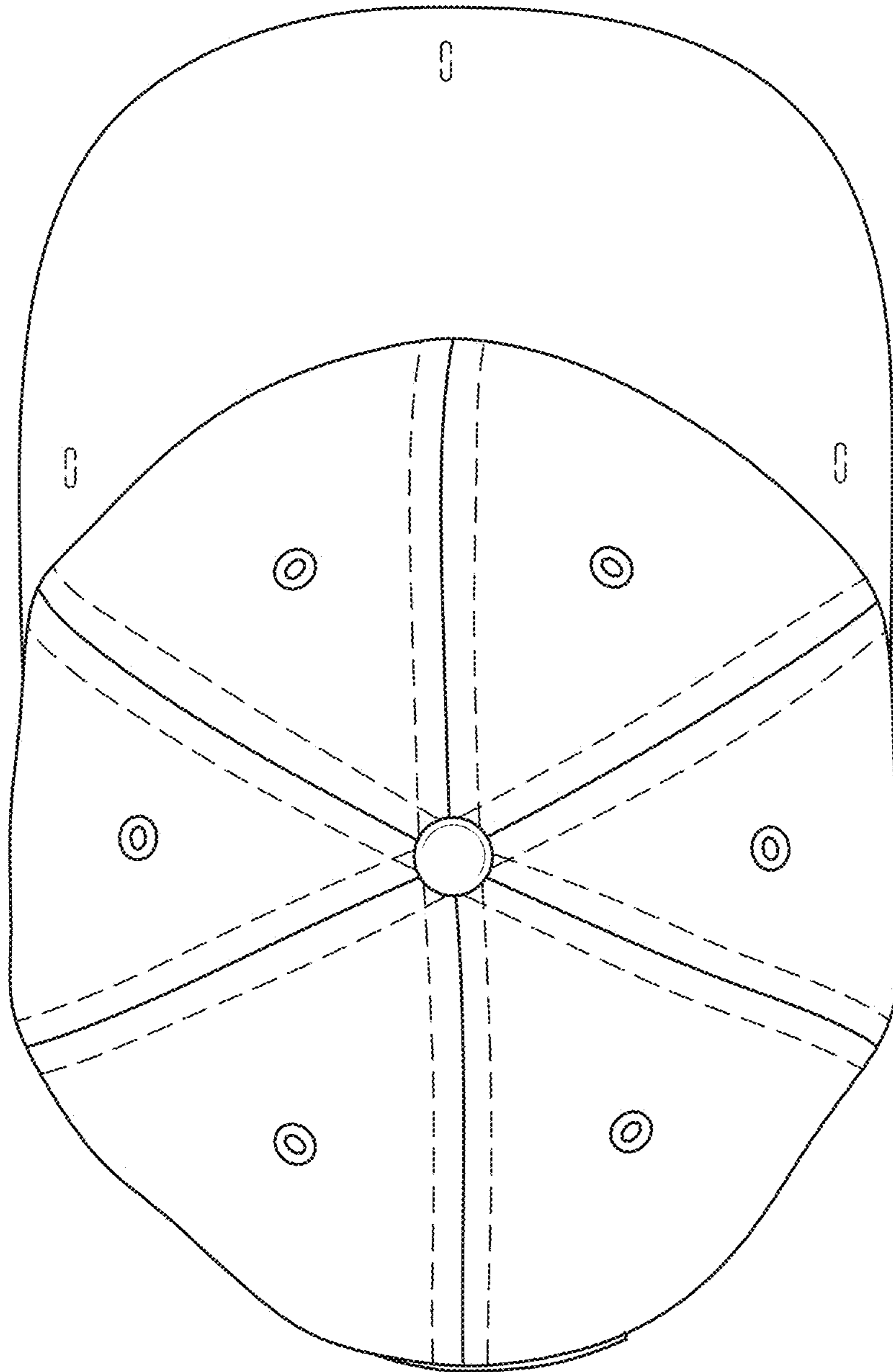
**FIG. 3**



**FIG. 4**



**FIG. 5**



**FIG. 6**



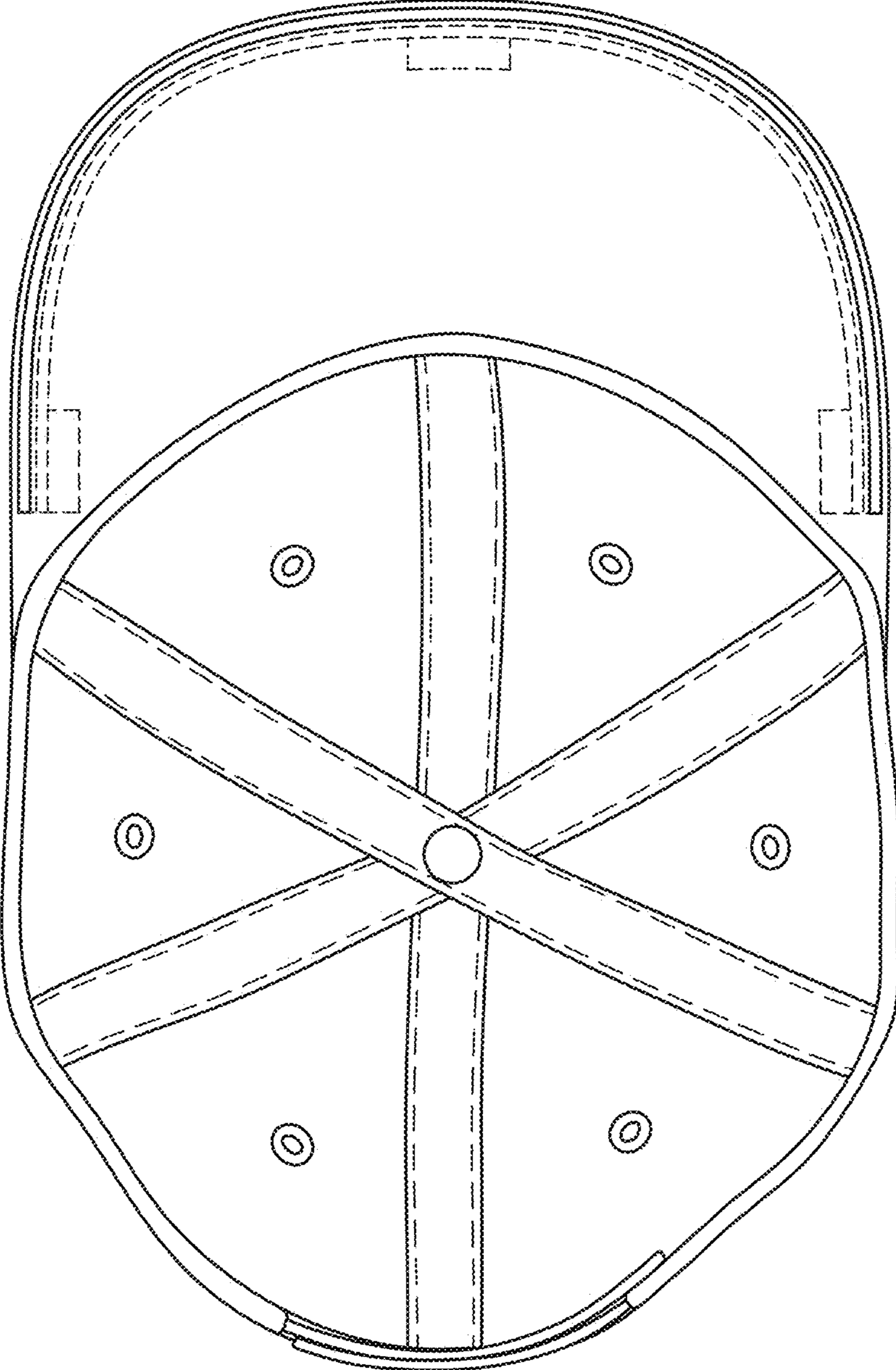


FIG. 7