



US00D929695S

(12) **United States Design Patent**
Schneider

(10) **Patent No.:** **US D929,695 S**

(45) **Date of Patent:** **** Aug. 31, 2021**

(54) **SAFE DOOR WITH HINGES AND DOOR CASING**

(71) Applicant: **Deborah J. Schneider**, Boca Raton, FL (US)

(72) Inventor: **Deborah J. Schneider**, Boca Raton, FL (US)

(**) Term: **15 Years**

(21) Appl. No.: **29/687,459**

(22) Filed: **Apr. 12, 2019**

(51) **LOC (13) Cl.** **99-00**

(52) **U.S. Cl.**
USPC **D99/43**

(58) **Field of Classification Search**
USPC D99/28, 34, 35, 36, 43, 99; 109/1 R, 109/1 V, 2, 45; 902/9, 30; 235/100; 206/0.8, 0.815, 0.82; 312/400, 409
CPC F42B 39/24; E05B 65/0075; E05G 1/00; E05G 1/005; E05G 5/00; E05G 5/02; E05G 2700/00; E05G 2700/02; E05G 2700/04; G05G 1/024; G07D 11/0006; G07D 11/0009; G07D 11/009; G07D 9/002; G07D 9/004; G07D 9/008; G07F 9/06; G07F 9/003; G07F 17/10; G07F 17/12

See application file for complete search history.

(56) **References Cited**

U.S. PATENT DOCUMENTS

- D3,772 S * 11/1869 Marvin D99/28
- 166,107 A * 7/1875 Hyatt E05G 1/08
109/53
- 470,818 A * 3/1892 Damon et al. E05G 1/024
109/74
- 1,256,869 A * 2/1918 Blixt et al. B63C 7/30
441/32
- D67,730 S * 6/1925 Wheary D3/272

- 1,638,470 A * 8/1927 Caldwell A47B 61/06
190/37
- D87,772 S * 9/1932 Wolters D99/28
- D103,629 S * 3/1937 Davis D99/28
- 2,081,271 A * 5/1937 Ellithorpe E05G 5/00
109/7
- 2,088,459 A * 7/1937 Bennett E05G 5/006
70/77
- D252,430 S * 7/1979 Oakley D6/407
- D273,052 S * 3/1984 Snodgrass D99/28
- 4,669,394 A * 6/1987 Fogleman E05G 1/02
109/59 T
- D291,019 S * 7/1987 Druihet D8/302
- D308,279 S * 5/1990 Hill D99/28
- D314,406 S * 2/1991 Lerch D21/519
- D327,793 S * 7/1992 McGrory 232/43.2

(Continued)

OTHER PUBLICATIONS

Stainless steel vault door with biometric lock, <http://vaultdoorsorg.blogspot.com/>, Aug. 25, 2011. (Year: 2011).*

Primary Examiner — Elizabeth J Oswecki

(57) **CLAIM**

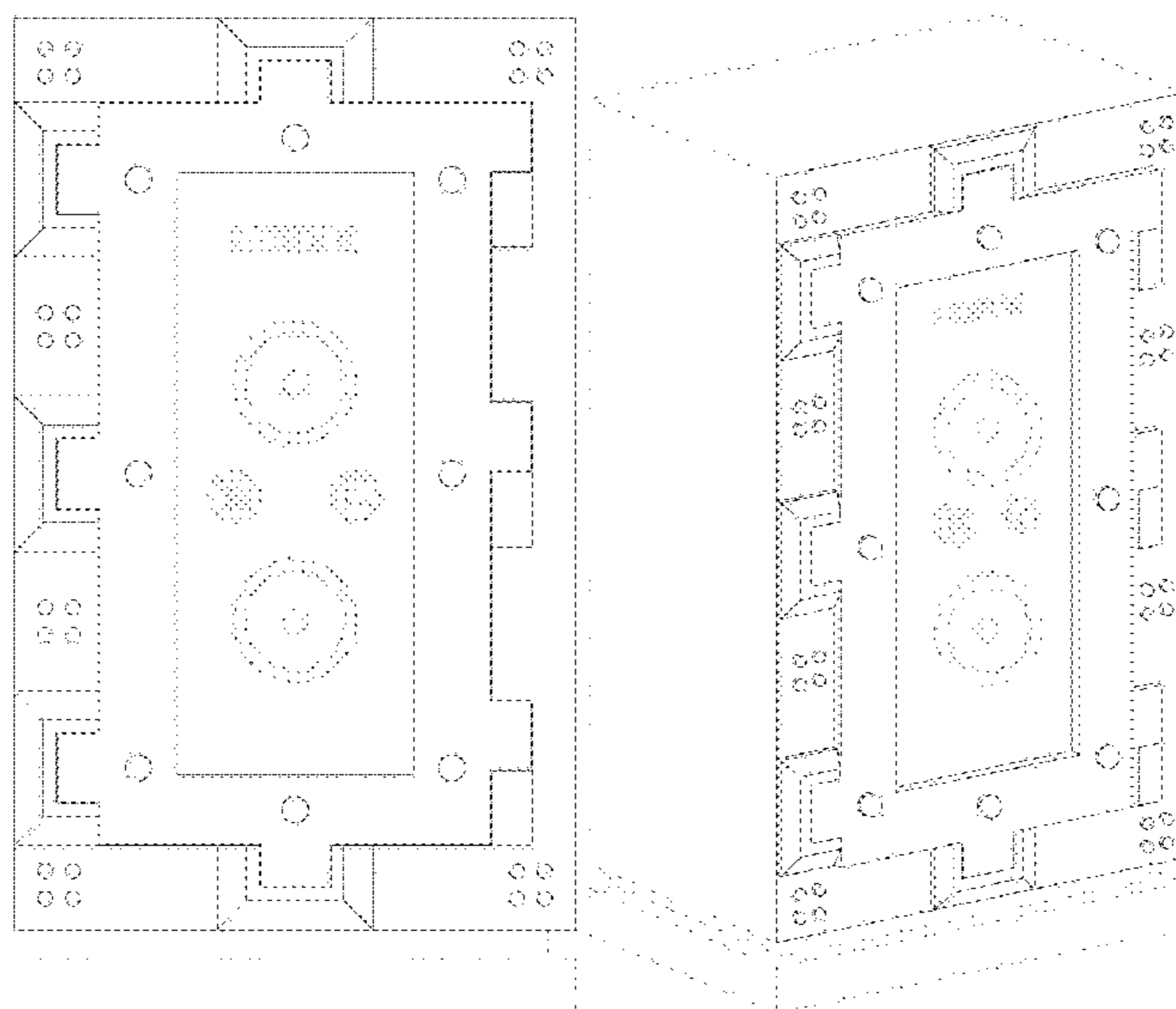
The ornamental design for a safe door with hinges and door casing, as shown and described.

DESCRIPTION

FIG. 1 is a perspective view of a safe door with hinges and door casing showing my new design; FIG. 2 is a front view thereof; FIG. 3 is a left side view thereof; FIG. 4 is a right side view thereof; FIG. 5 is a rear view thereof; FIG. 6 is a top view thereof; FIG. 7 is a bottom view thereof; and, FIG. 8 is another perspective view thereof.

The broken lines shown in the drawings represent portions of the safe door with hinges and door casing that form no part of the claimed design.

1 Claim, 7 Drawing Sheets



(56)

References Cited

U.S. PATENT DOCUMENTS

D390,835	S	*	2/1998	Mayfield, III	D13/184
D485,041	S	*	1/2004	Paris	D99/28
D485,959	S	*	1/2004	Lynch	D99/43
D485,960	S	*	1/2004	Paris	D99/43
D488,910	S	*	4/2004	Lynch	D99/43
D495,113	S	*	8/2004	Lynch	D6/705.5
D498,895	S	*	11/2004	Lynch	D99/28
D501,620	S	*	2/2005	Lynch	D6/703
D586,525	S	*	2/2009	Pendleton	D99/28
D598,175	S	*	8/2009	Pendleton	D6/668
D619,775	S	*	7/2010	Pendleton	D99/28
D620,675	S	*	7/2010	Doettling	D99/28
D659,944	S	*	5/2012	Pendleton	D99/28
D728,189	S	*	4/2015	Suggs	D99/28
D729,490	S	*	5/2015	Pannier	D99/43
D744,190	S	*	11/2015	Pannier	D99/43
D744,715	S	*	12/2015	Suggs	D99/28
D774,272	S	*	12/2016	Suggs	D99/28
D799,148	S	*	10/2017	Crosby	D99/28
D799,782	S	*	10/2017	Crosby	D99/28
D802,873	S	*	11/2017	Crosby	D99/28
D811,686	S	*	2/2018	Crosby	D99/28
D814,139	S	*	3/2018	Newcomb	D99/28
D825,884	S	*	8/2018	Moore	D99/28

* cited by examiner

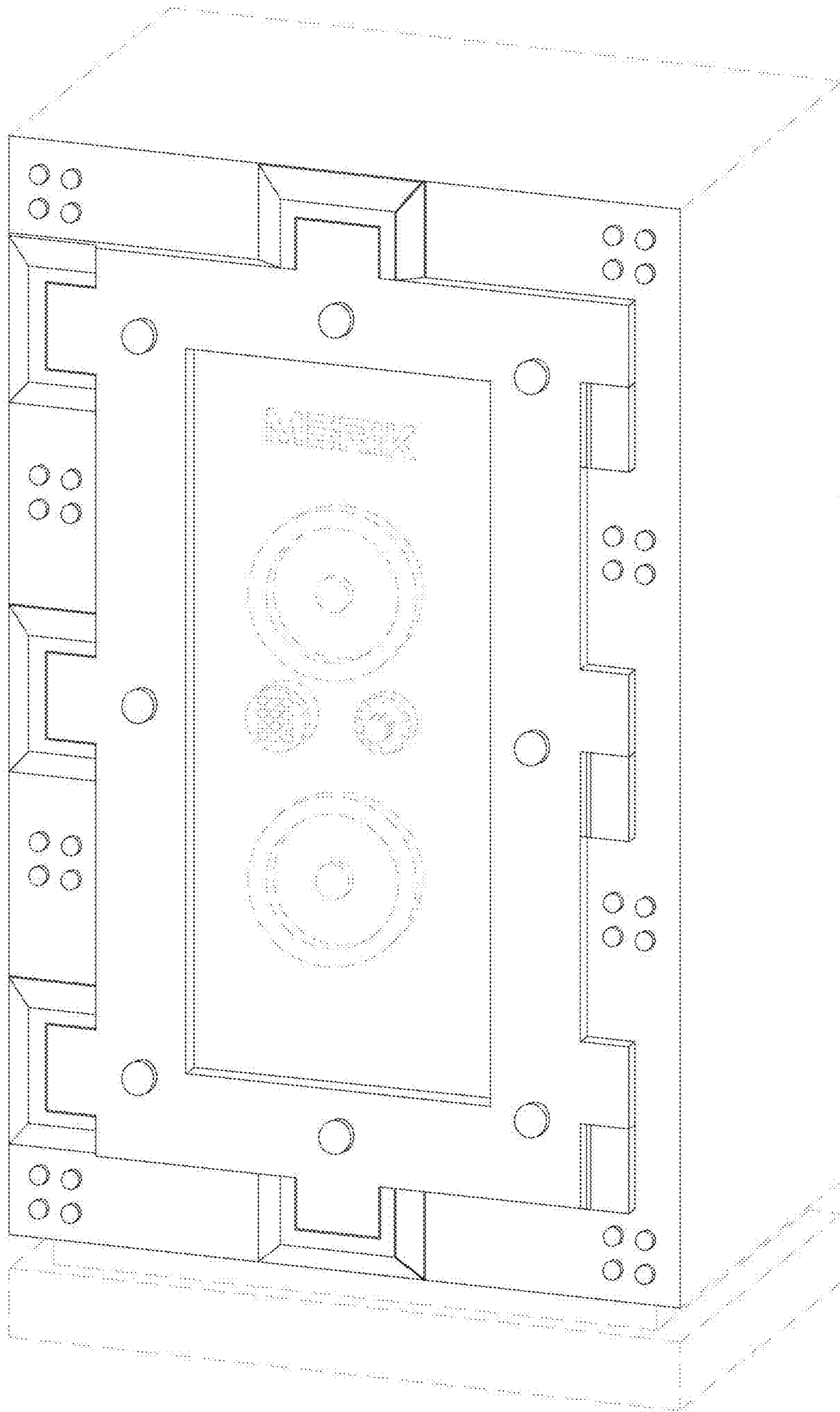


FIG. 1

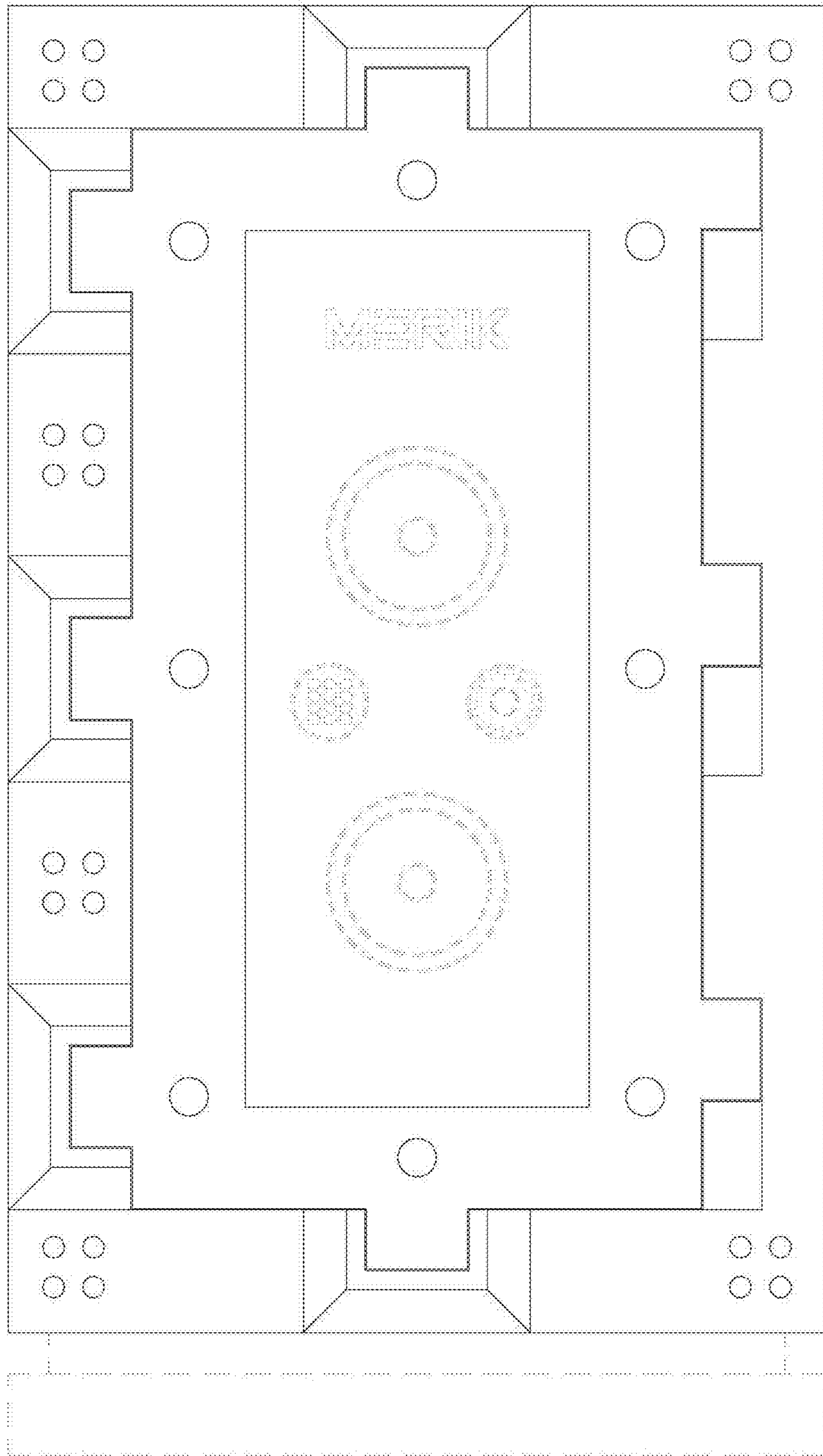


FIG. 2

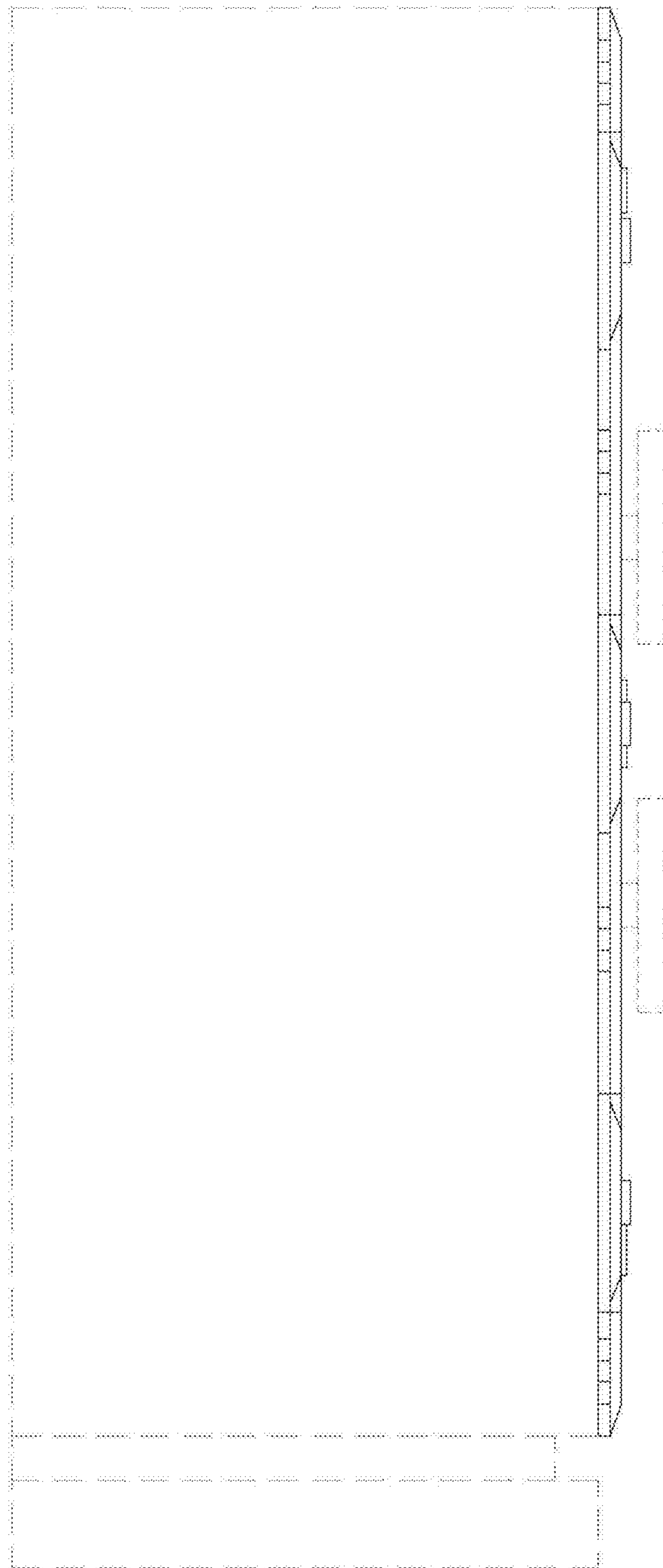


FIG. 3

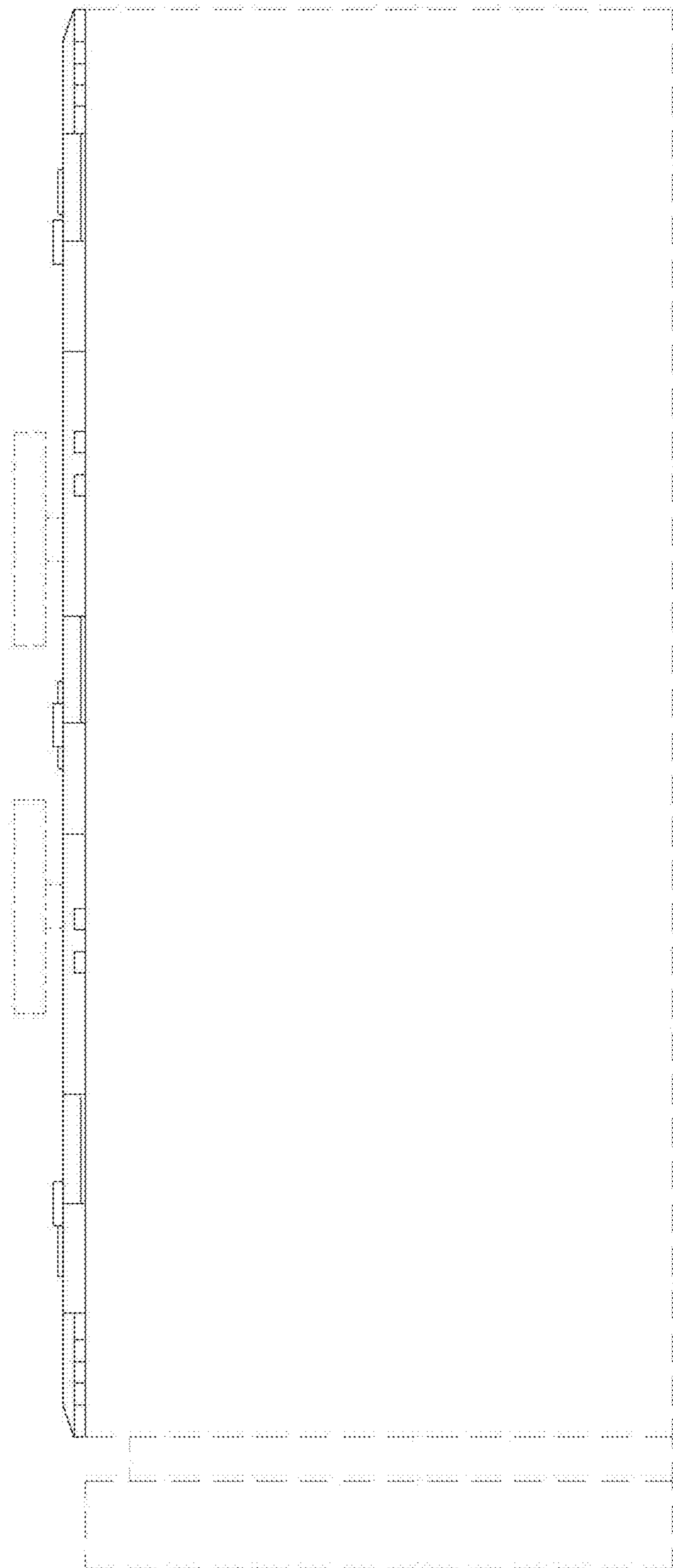


FIG. 4



FIG. 5

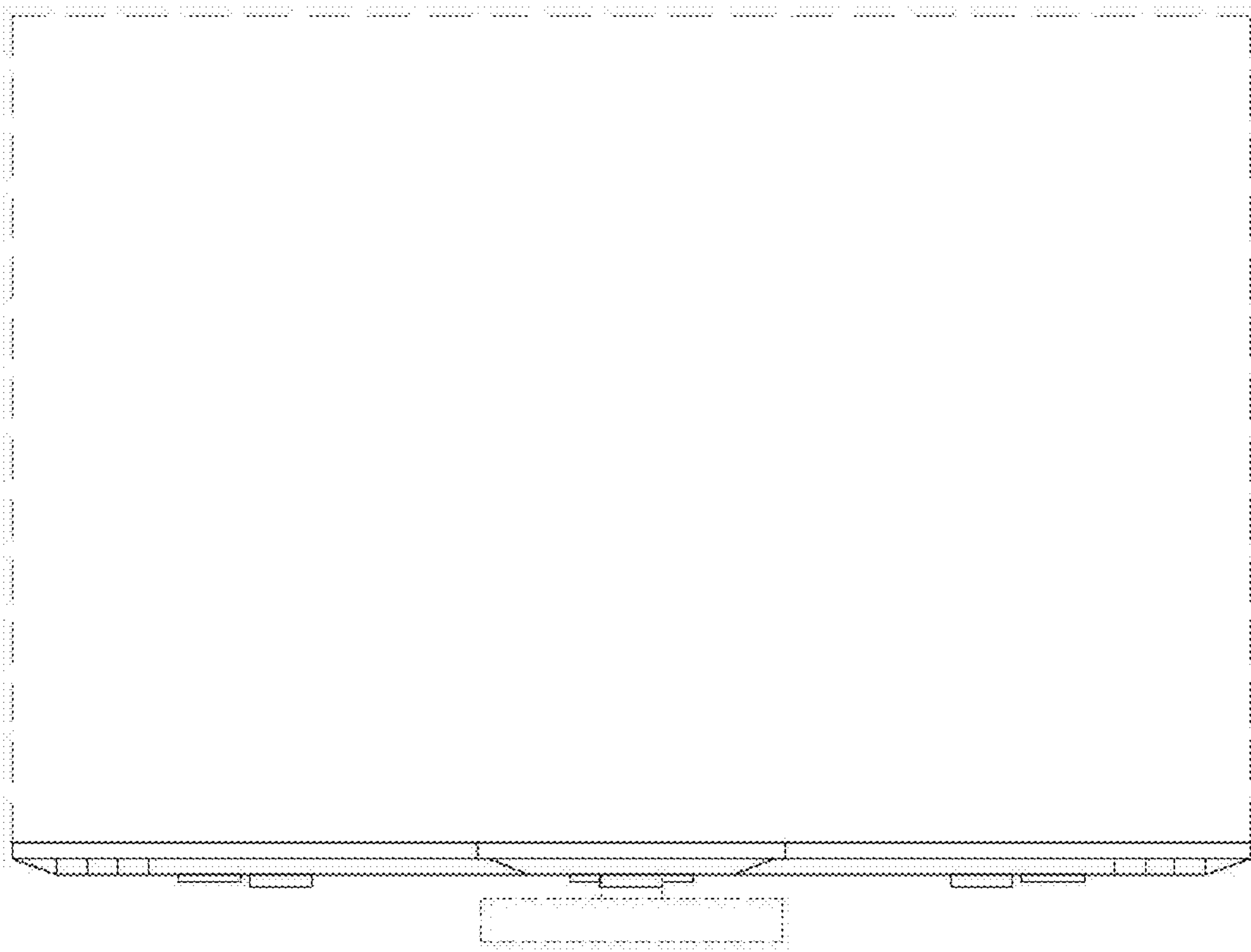


FIG. 6

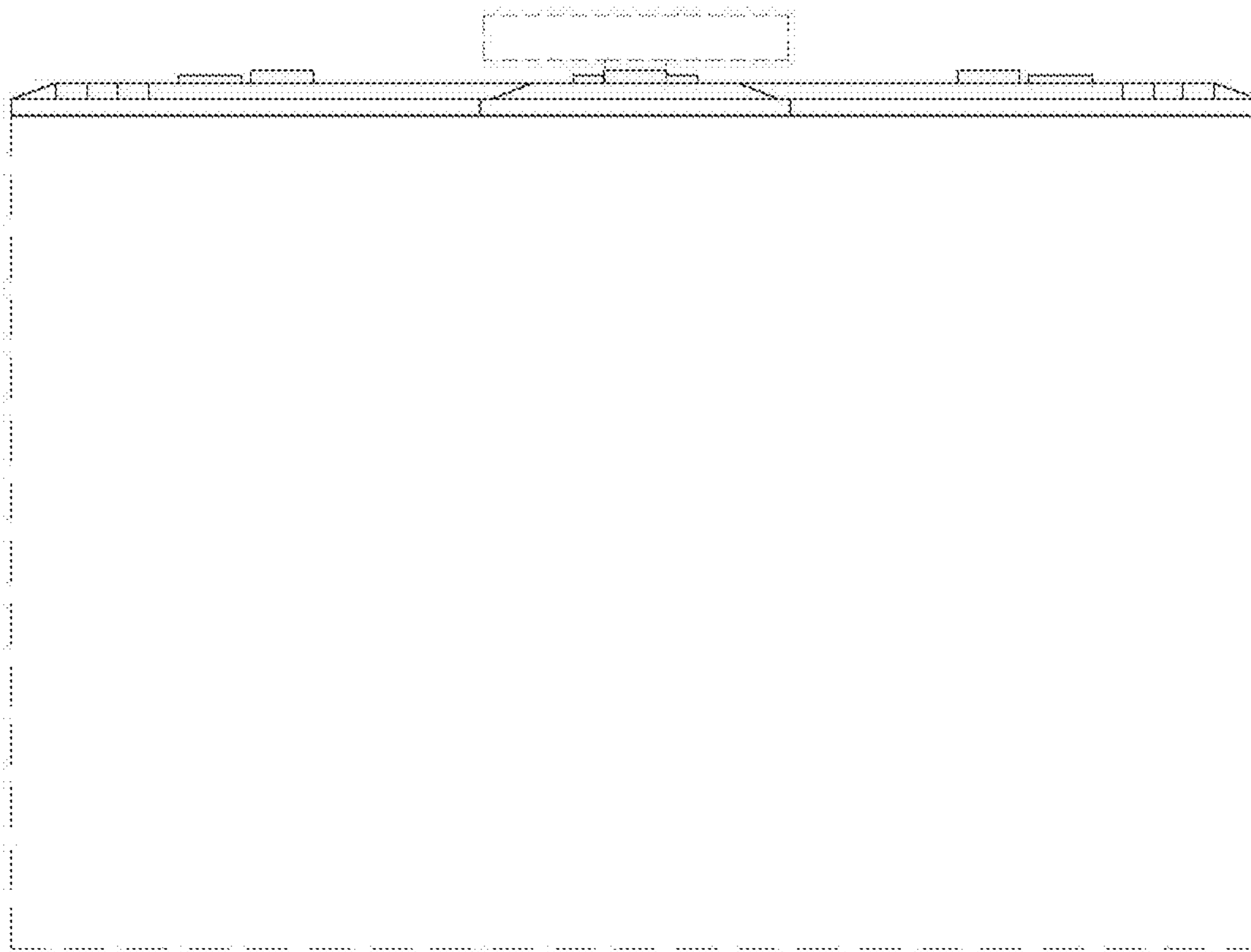


FIG. 7

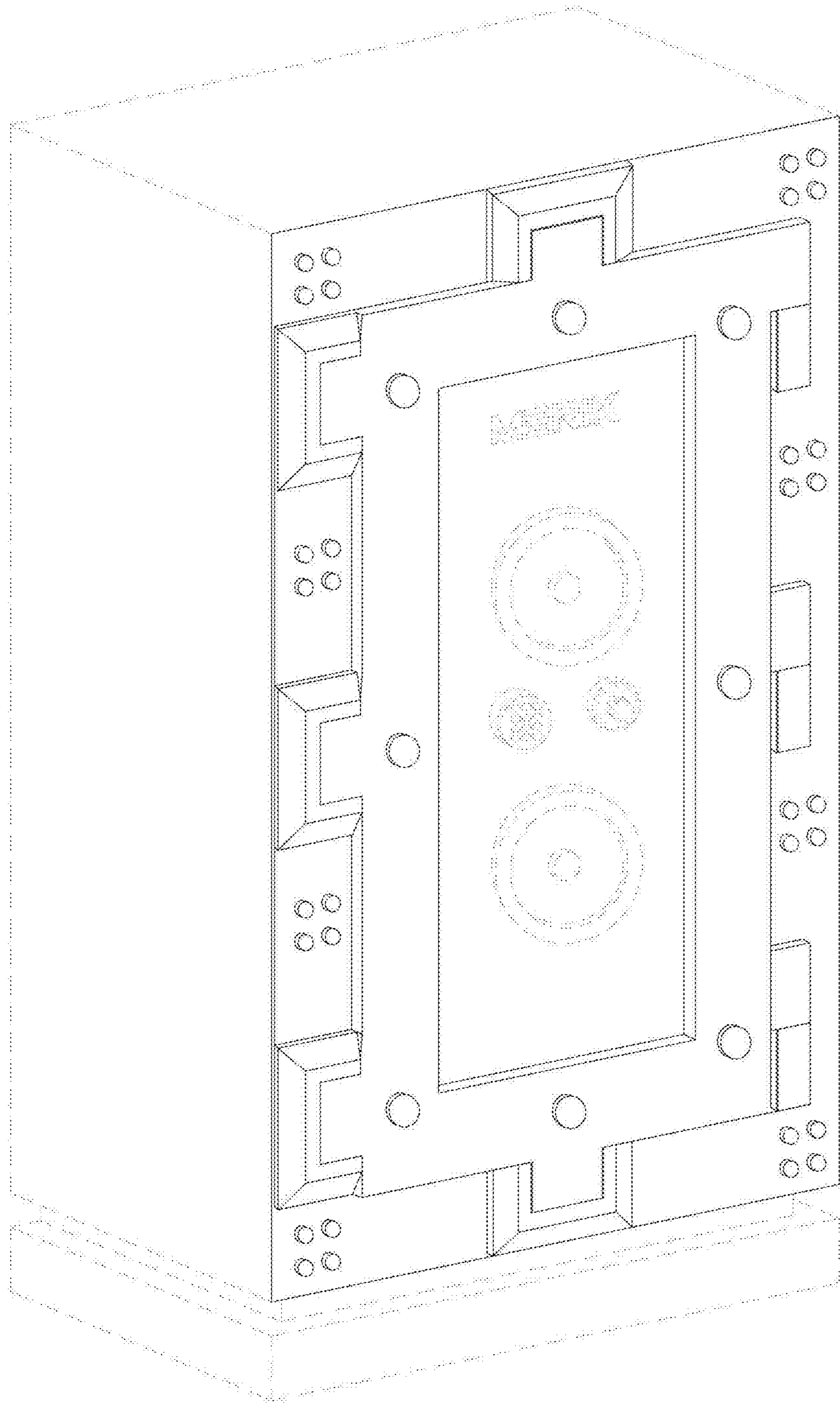


FIG. 8