



US00D929693S

(12) **United States Design Patent**
Nicholson

(10) **Patent No.:** **US D929,693 S**

(45) **Date of Patent:** **** Aug. 31, 2021**

(54) **VENDING CART**

(71) Applicant: **CAMBRO MANUFACTURING COMPANY**, Huntington Beach, CA (US)

(72) Inventor: **Jeff Nicholson**, Long Beach, CA (US)

(73) Assignee: **CAMBRO MANUFACTURING COMPANY**, Huntington Beach, CA (US)

(**) Term: **15 Years**

(21) Appl. No.: **29/694,348**

(22) Filed: **Jun. 10, 2019**

(51) **LOC (13) Cl.** **12-02**

(52) **U.S. Cl.**
USPC **D34/14**

(58) **Field of Classification Search**
USPC D34/12-27
CPC .. B62B 3/00; B62B 3/02; B62B 3/002; B62B 3/14; B62B 3/001; B62B 3/022; B62B 3/027; B62B 3/12; B62B 3/005; B62B 3/1404; B62B 1/12; B62B 5/0438; B60B 29/00; B60B 29/002; B66F 9/12; B66F 9/18; B66F 9/19; B66F 9/20

See application file for complete search history.

(56) **References Cited**

U.S. PATENT DOCUMENTS

D323,051 S * 1/1992 Baggott D34/14
D411,044 S * 6/1999 Maddux D34/20

D489,155 S * 4/2004 Underbrink D23/286
D594,170 S * 6/2009 Catron D34/14
D653,010 S * 1/2012 Shen D34/19
D697,685 S * 1/2014 Maddux D34/19
D817,585 S * 5/2018 Thuma D34/21
10,093,335 B2 * 10/2018 Thuma B62B 3/10
D894,514 S * 8/2020 Phillips D34/21
D904,718 S * 12/2020 Logan D34/21

* cited by examiner

Primary Examiner — Cynthia Ramirez

(74) *Attorney, Agent, or Firm* — George Bethel

(57) **CLAIM**

I claim the ornamental design for a vending cart, as shown and described.

DESCRIPTION

FIG. 1 shows a perspective view of the vending cart looking from the rear of the service area thereof.
FIG. 2 is a rear elevation view thereof.
FIG. 3 is a right side elevation view thereof.
FIG. 4 is a left side elevation view thereof.
FIG. 5 is a top plan view thereof.
FIG. 6 is a front elevation view thereof.
FIG. 7 is a bottom plan view thereof; and,
FIG. 8 is a bottom perspective view thereof.

1 Claim, 7 Drawing Sheets

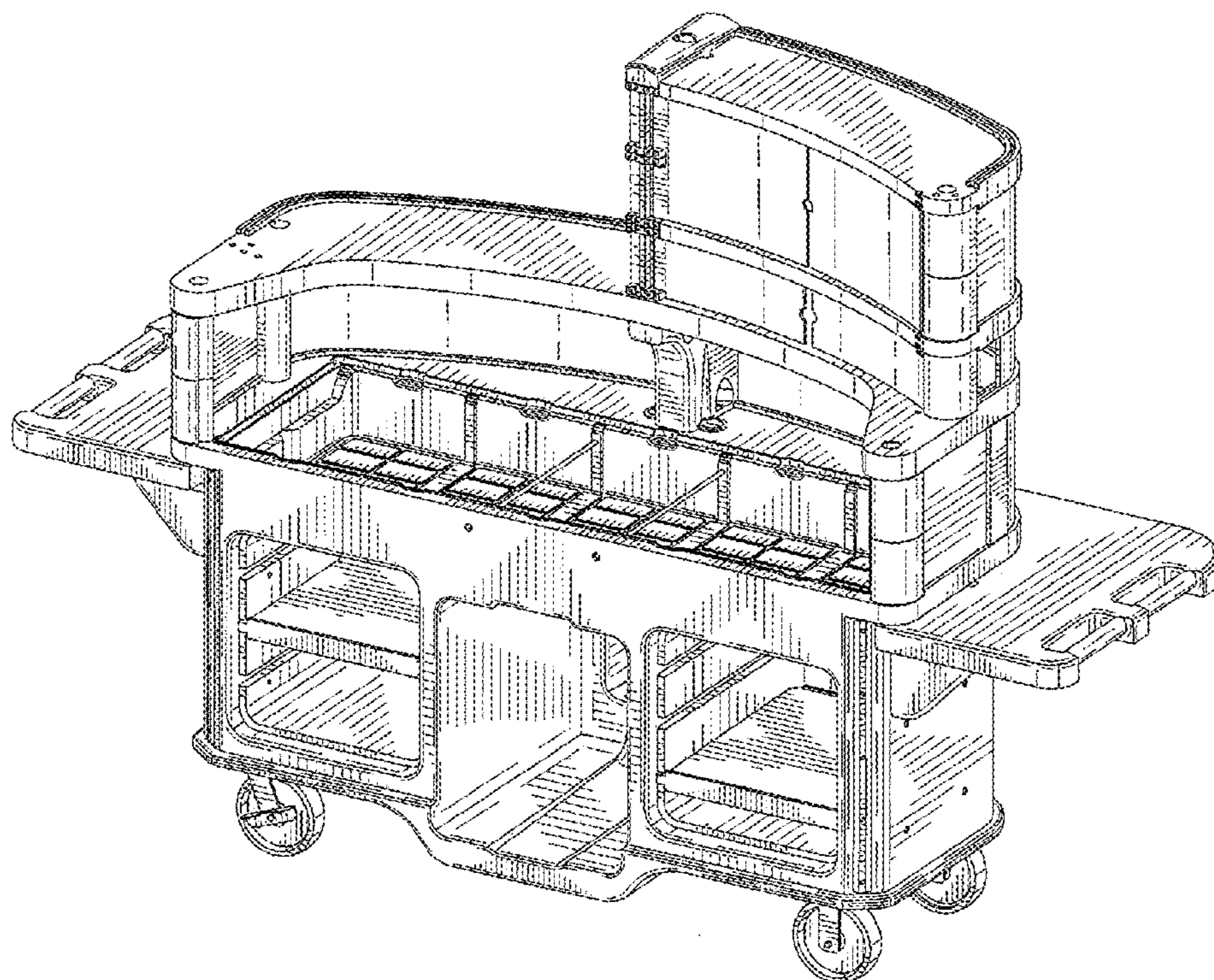
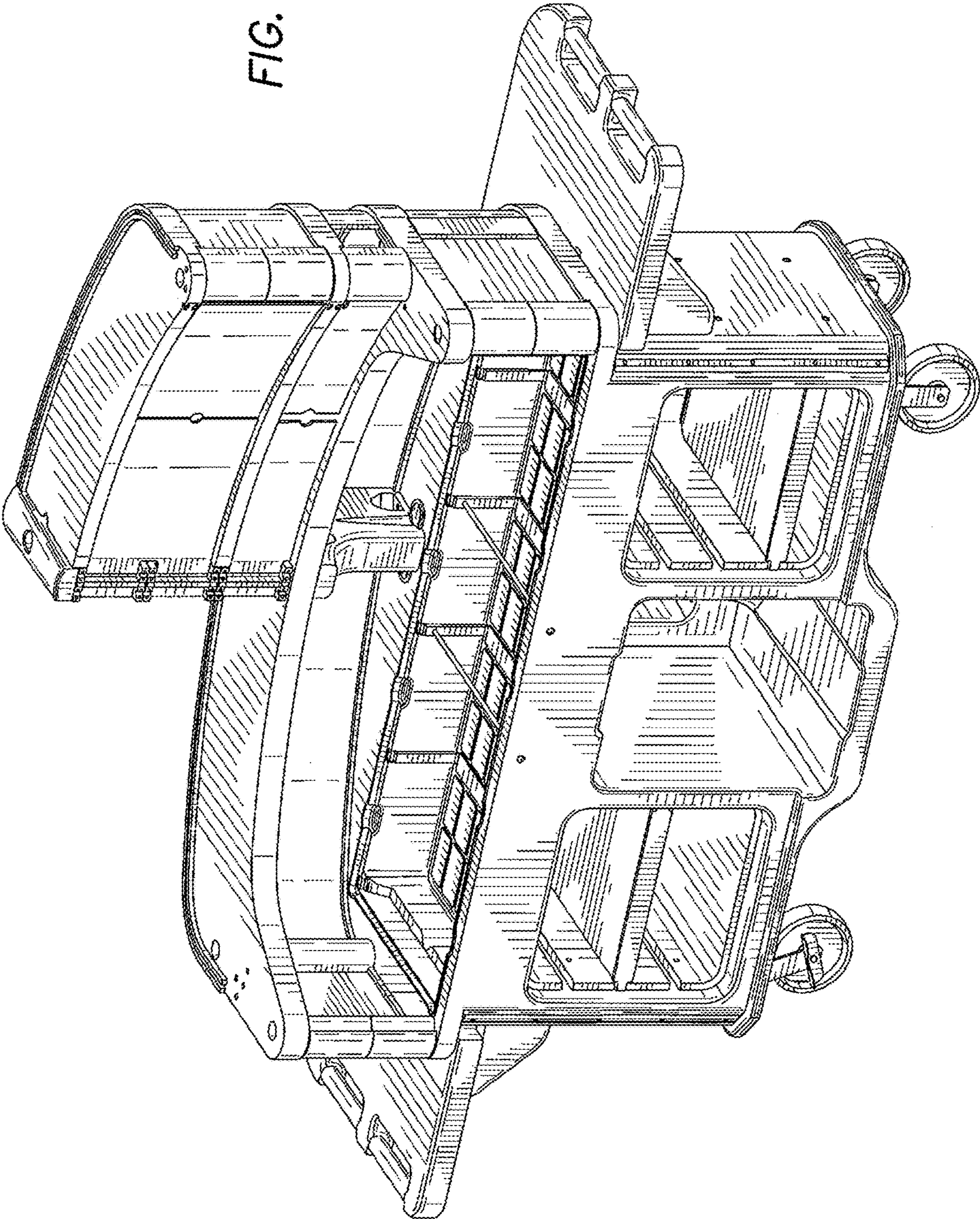


FIG. 1



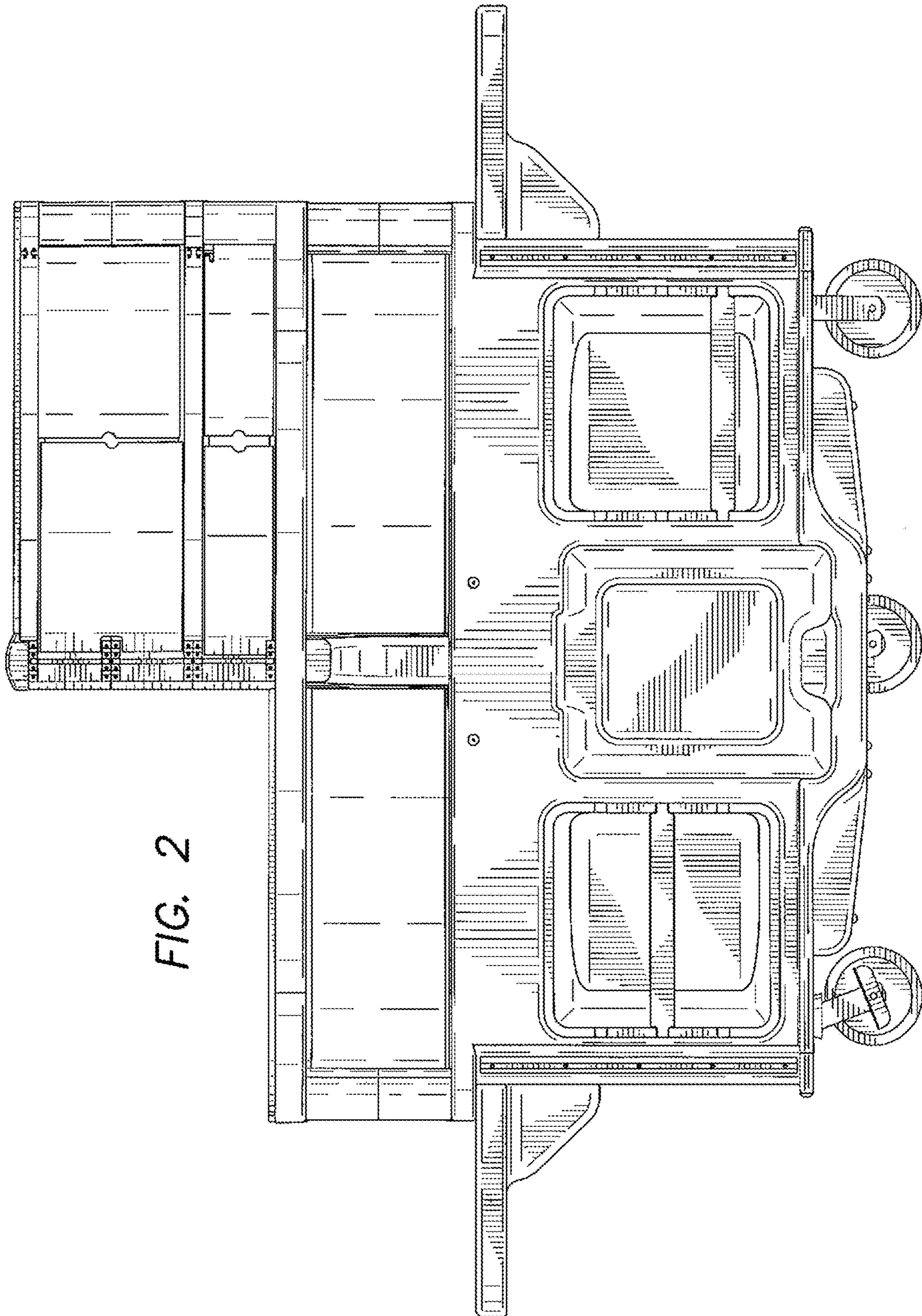


FIG. 2

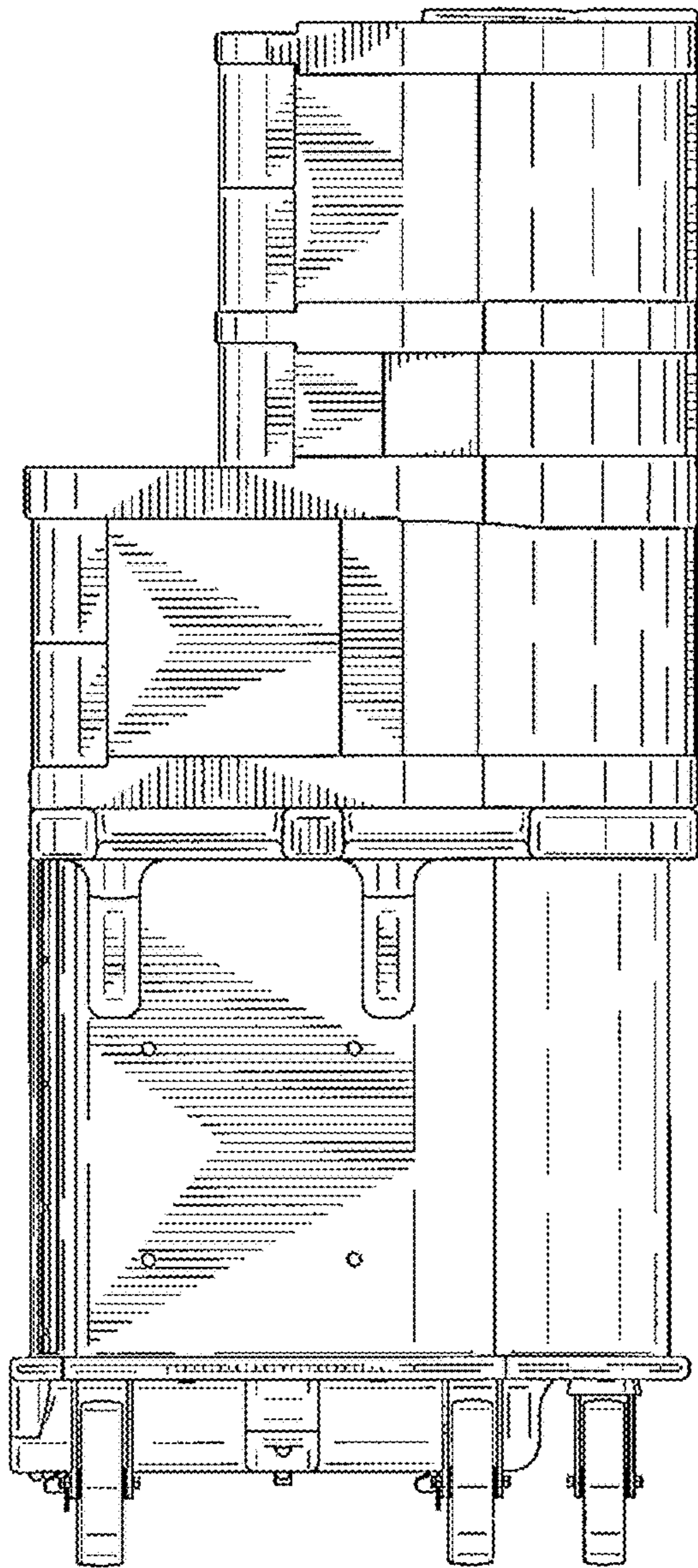
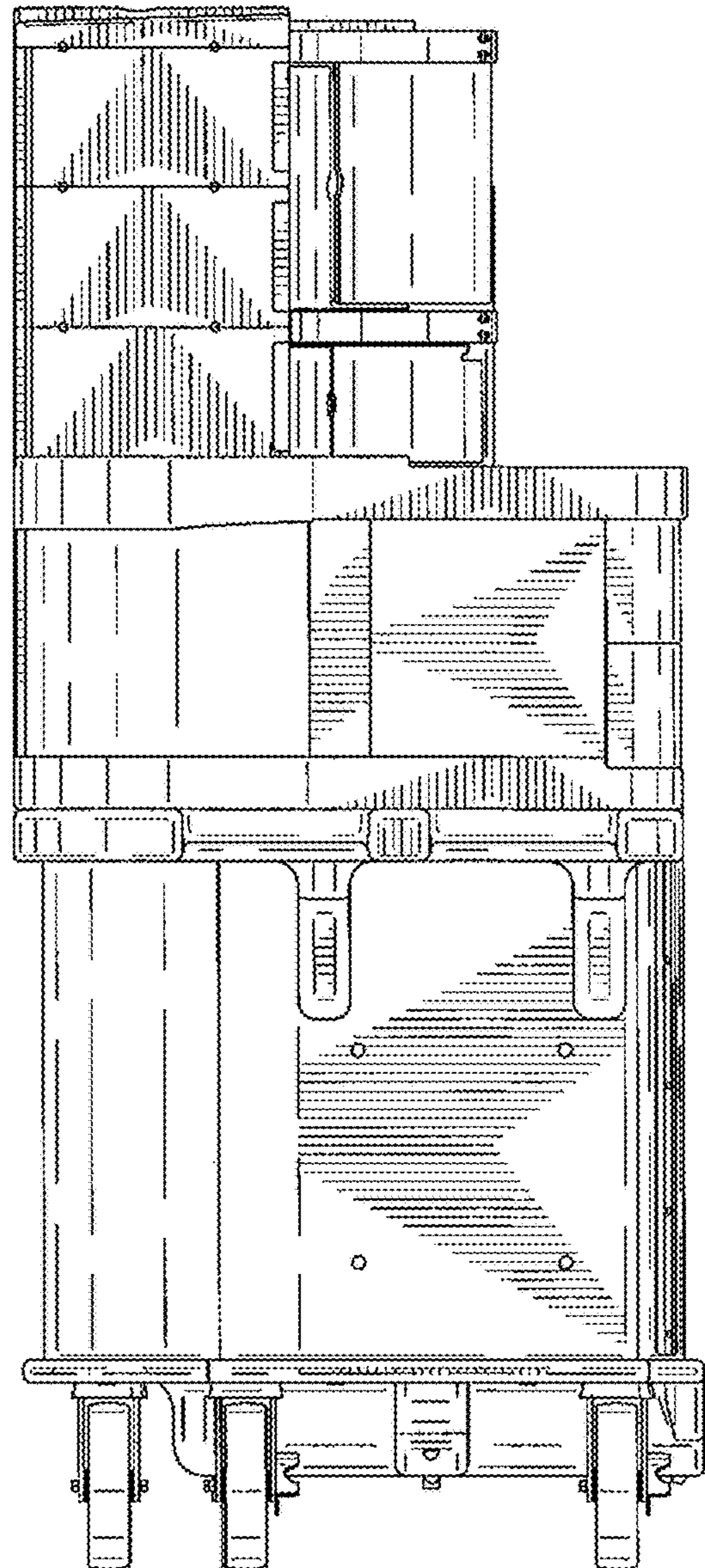


FIG. 3

FIG. 4



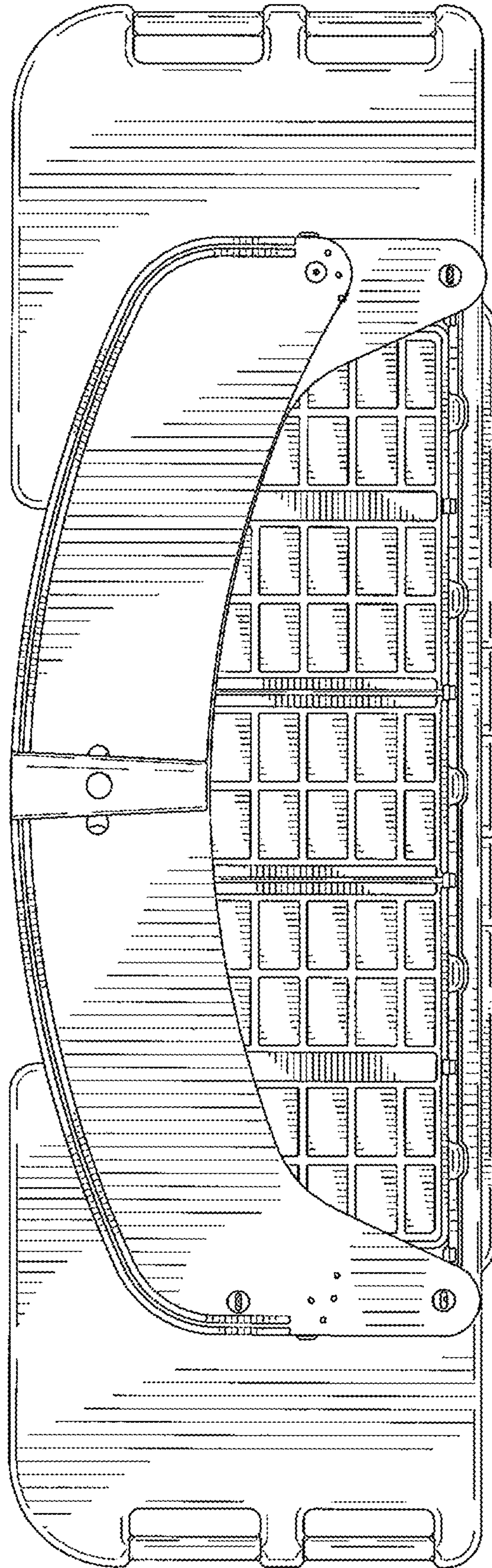
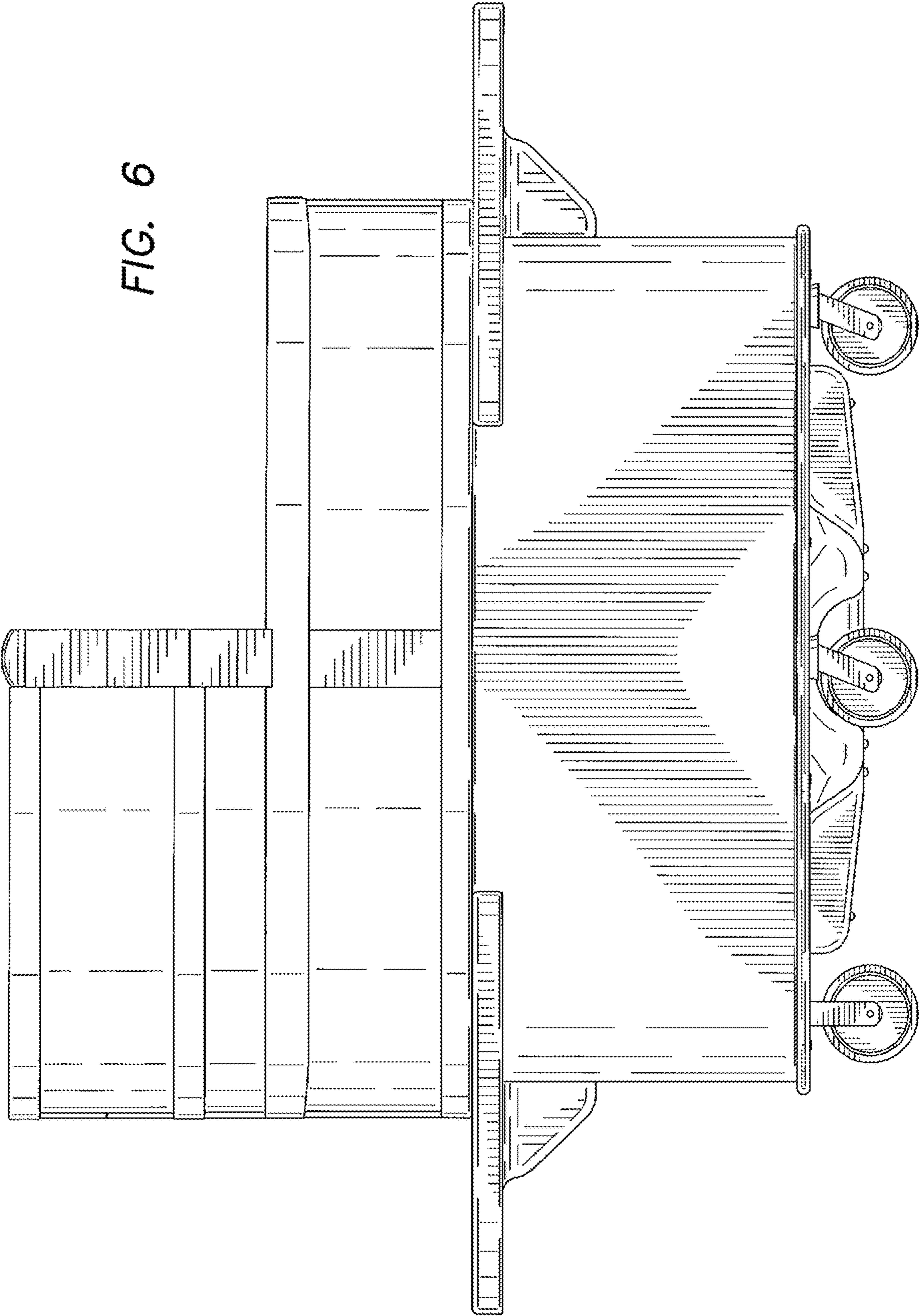


FIG. 5

FIG. 6



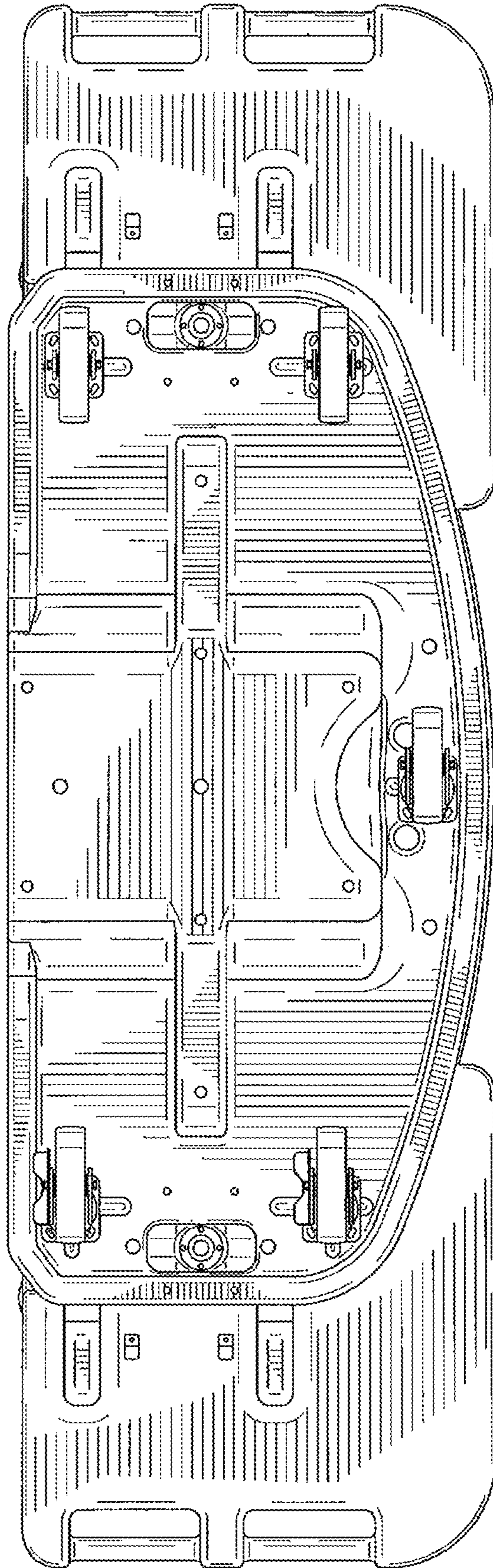


FIG. 7

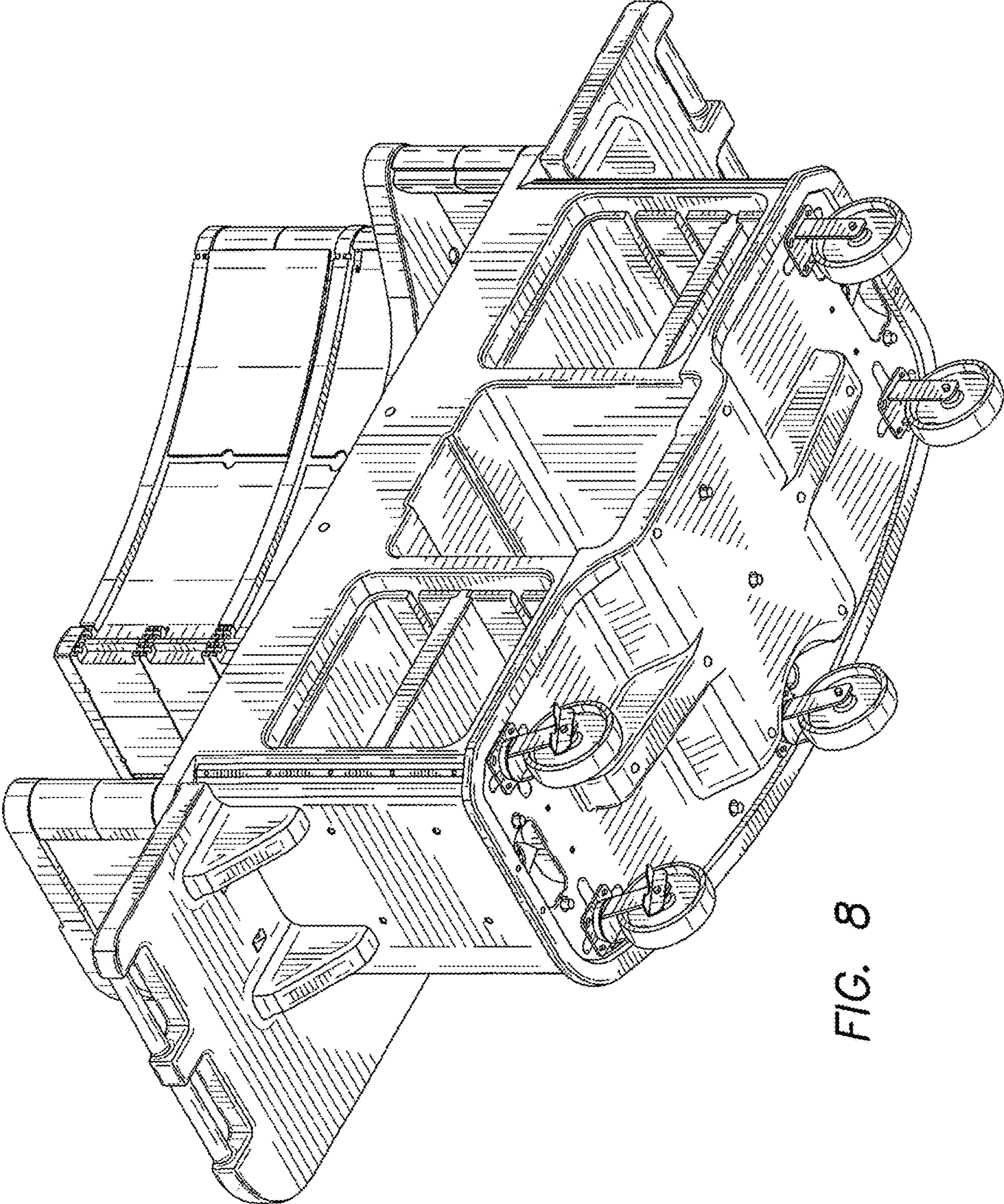


FIG. 8