

US00D929692S

(12) **United States Design Patent**
Schierbaum et al.

(10) **Patent No.:** **US D929,692 S**

(45) **Date of Patent:** **** Aug. 31, 2021**

(54) **CLEANING DEVICE**

(71) Applicant: **Vicki Schierbaum**, Spring Valley, CA
(US)

(72) Inventors: **Vicki Schierbaum**, Spring Valley, CA
(US); **Terry Welzant**, El Cajon, CA
(US)

(73) Assignee: **Vicki Schierbaum**, Spring Valley, CA
(US)

(**) Term: **15 Years**

(21) Appl. No.: **29/708,395**

(22) Filed: **Oct. 4, 2019**

(51) **LOC (13) Cl.** **07-05**

(52) **U.S. Cl.**
USPC **D32/35**

(58) **Field of Classification Search**
USPC D22/124; D32/14, 35
CPC .. A47J 43/288; A61B 18/1206; A47G 21/004;
A01M 3/027; A01M 1/10; A01M 3/022;
A01M 3/02; A01M 3/04
See application file for complete search history.

(56) **References Cited**

U.S. PATENT DOCUMENTS

- 1,370,496 A * 3/1921 Ratcliff A01M 3/02
43/137
- 1,590,846 A * 6/1926 Moore A01M 3/02
43/137
- 1,628,486 A * 5/1927 Azamber A01M 3/02
43/137
- 2,394,267 A * 2/1946 Sorkind A01M 3/02
43/137
- 3,292,299 A * 12/1966 Mettler A01M 3/02
43/135
- 4,242,828 A * 1/1981 Schurger A01M 3/02
43/137
- 4,593,489 A * 6/1986 Gott A01M 3/02
43/137

- 4,905,408 A * 3/1990 Wu A01M 3/022
43/136
- 5,203,459 A * 4/1993 Wade A47G 21/004
206/572
- 5,269,092 A * 12/1993 Cobble A01M 3/022
43/137

(Continued)

FOREIGN PATENT DOCUMENTS

- WO 2006049499 A3 5/2006
- WO 2015109990 A1 7/2015

OTHER PUBLICATIONS

Reach and clean <https://www.walmart.com/ip/Invisible-Glass-95164-Reach-Clean-Tool-Wet-Dry-Pro-Window-Windshield-Wand-Cleaning-Extendable-Handle-Washable-Reusable-Microfiber-Cloth-Auto-Interior/250255757> (Year: 2021).*

(Continued)

Primary Examiner — Michelle E. Wilson
Assistant Examiner — Richard E Yenchesky
(74) *Attorney, Agent, or Firm* — Mahesh Law Group PC;
Kumar Maheshwari

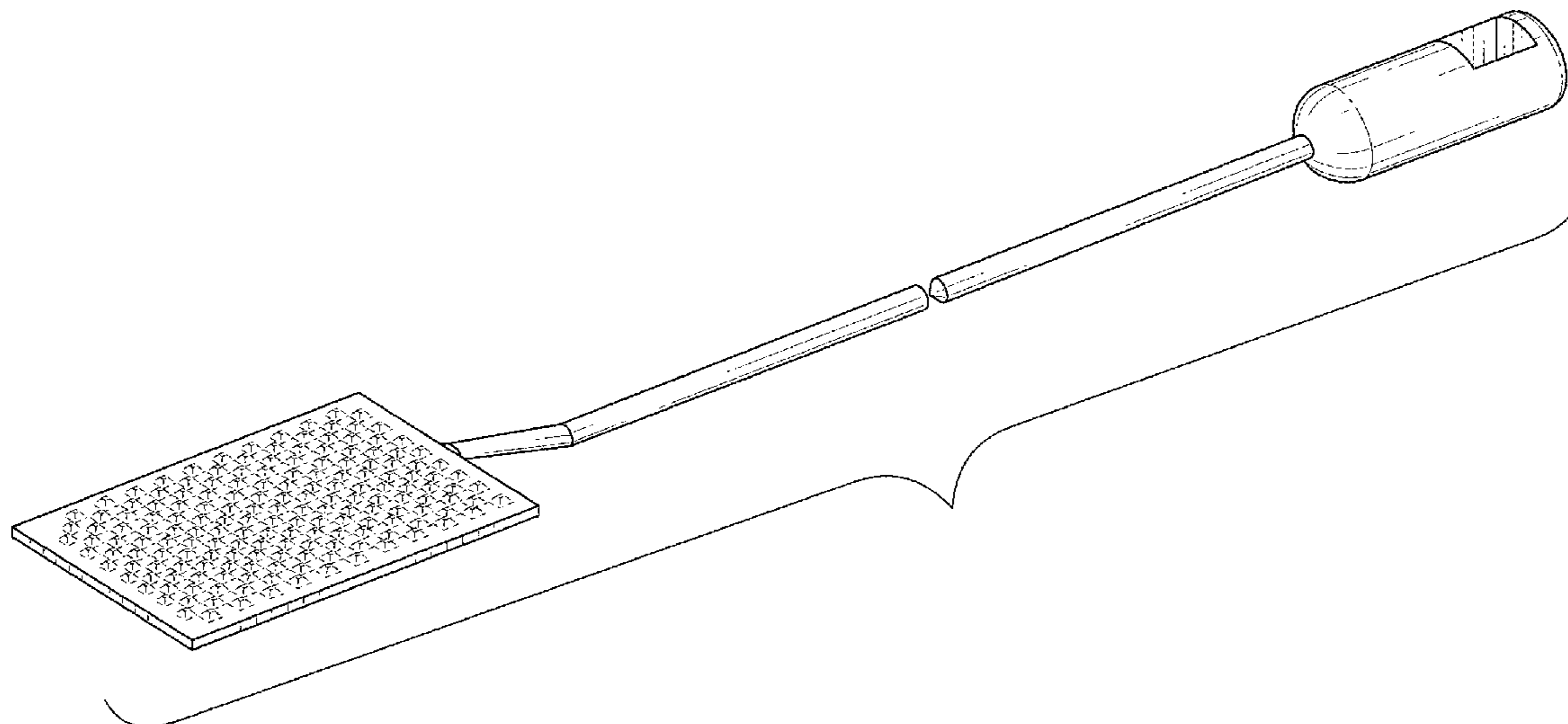
(57) **CLAIM**

We claim the ornamental design for a cleaning device, as shown and described.

DESCRIPTION

FIG. 1 is a perspective view of a cleaning device;
FIG. 2 is a front view of the cleaning device from FIG. 1;
FIG. 3 is a back view of the cleaning device from FIG. 1;
FIG. 4 is a left side view of the cleaning device from FIG. 1;
FIG. 5 is a right side view of the cleaning device from FIG. 1;
FIG. 6 is a bottom view of the cleaning device from FIG. 1;
and,
FIG. 7 is a top view of the cleaning device from FIG. 1.

1 Claim, 5 Drawing Sheets



(56)

References Cited

U.S. PATENT DOCUMENTS

D362,930 S * 10/1995 Markles D32/35
 D363,150 S * 10/1995 Boyer D32/35
 5,522,174 A * 6/1996 Wagner A01M 3/02
 15/187
 5,603,138 A 2/1997 Bonis
 6,055,767 A * 5/2000 Carter A01M 3/022
 43/137
 6,067,746 A * 5/2000 Kistner A01M 3/022
 43/135
 6,957,510 B1 * 10/2005 Kominkiewicz A01M 3/022
 43/136
 7,484,328 B1 * 2/2009 Daugherty A01M 3/02
 43/137
 D610,761 S * 2/2010 Gengler D32/35
 D674,979 S * 1/2013 Girardot D32/35
 8,567,114 B1 * 10/2013 Drapeau A01M 3/04
 43/136
 8,915,014 B1 * 12/2014 Daugherty A01M 3/02
 43/137
 D777,389 S * 1/2017 Brandt D32/35
 D779,755 S * 2/2017 Balz D32/35
 D800,981 S * 10/2017 Pisacane D32/35
 D807,469 S * 1/2018 Amash D22/124
 9,854,794 B1 * 1/2018 Hand A01M 3/022
 D823,982 S * 7/2018 Amash D22/124
 D848,101 S * 5/2019 Maharaj D32/35
 D901,794 S * 11/2020 Schutte D32/14
 D912,350 S * 3/2021 Speak D32/35

2007/0245509 A1 10/2007 Nesler
 2008/0058803 A1 * 3/2008 Kimura A61B 18/1206
 606/49
 2013/0014333 A1 * 1/2013 Morano A01M 3/022
 15/104.002
 2013/0025186 A1 * 1/2013 Scheubeck A01M 3/02
 43/137
 2013/0291428 A1 * 11/2013 Wegscheider A01M 3/022
 43/137
 2014/0352201 A1 * 12/2014 Wegscheider A01M 3/022
 43/137
 2017/0347639 A1 * 12/2017 Sapienza A01M 1/10
 2019/0082674 A1 * 3/2019 Leberer A01M 3/027
 2019/0200809 A1 * 7/2019 Leakey A47J 43/288

OTHER PUBLICATIONS

Long-handled squeegee https://www.amazon.com/Ehdis-Long-handled-Scrubber-Squeegee-10-3inch/dp/B01HGLZD0W/ref=asc_df_B01HGLZD0W/ (Year: 2016).
 “World Patent Marketing Success Team Presents The Smart Oven Cleaner, A Kitchen Invention That Helps Keep Ovens Clean”. <https://www.newswire.com/news/world-patent-marketing-success-team-presents-the-smart-oven-cleaner-a-5175871>.
 “The Best Window Cleaning Tools in 2020 [Video]”. <https://academy.getjobber.com/resources/articles/window-cleaning-supplies/>. Jobber Academy.
 “Window Cleaning Tools & Equipment” <https://www.ipcworldwide.com/us/products/window-cleaning-tools-equipment/>. IPC Eagle.

* cited by examiner

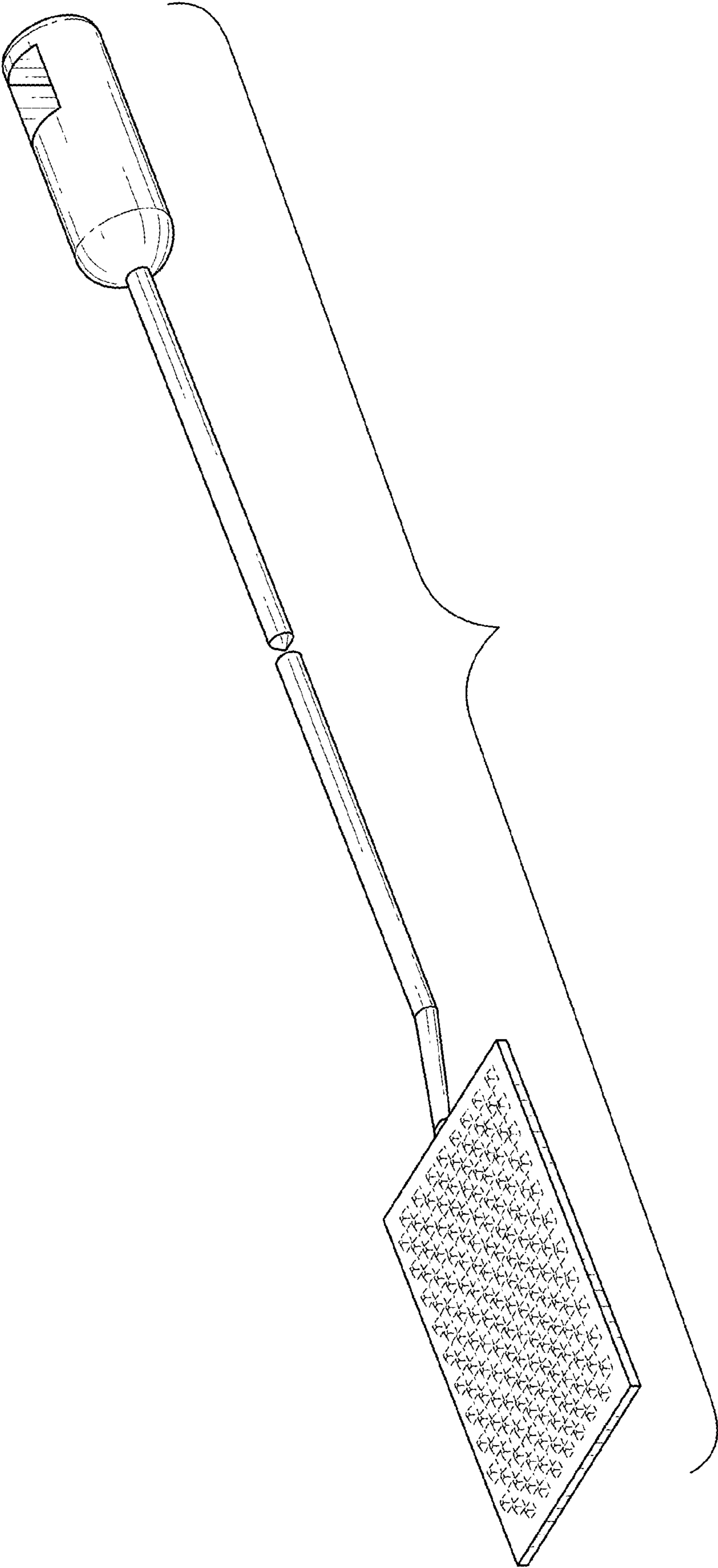


FIG. 1

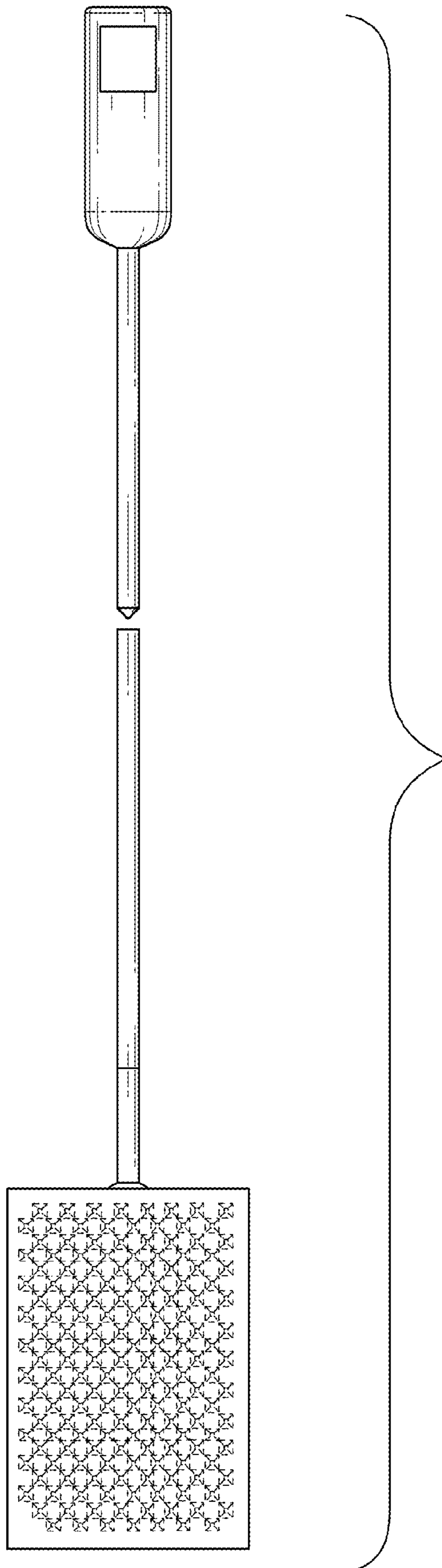


FIG. 2

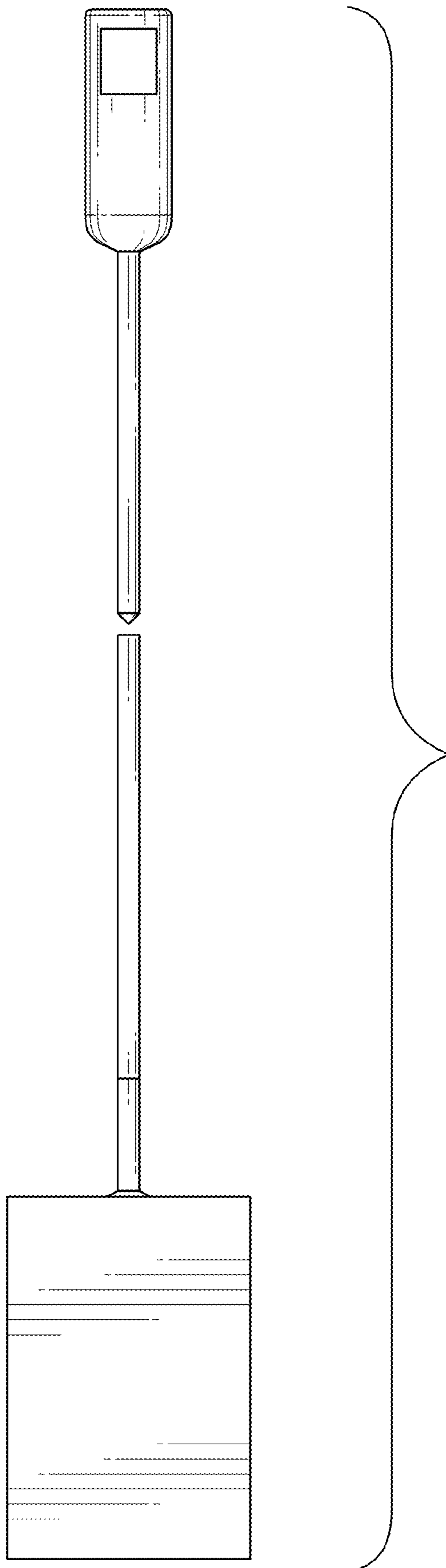


FIG. 3

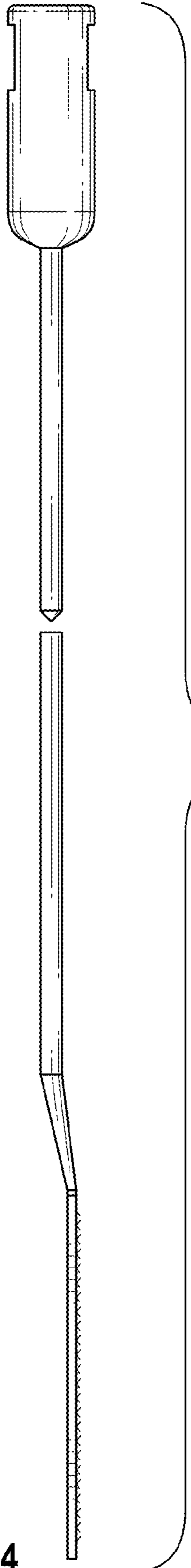


FIG. 4

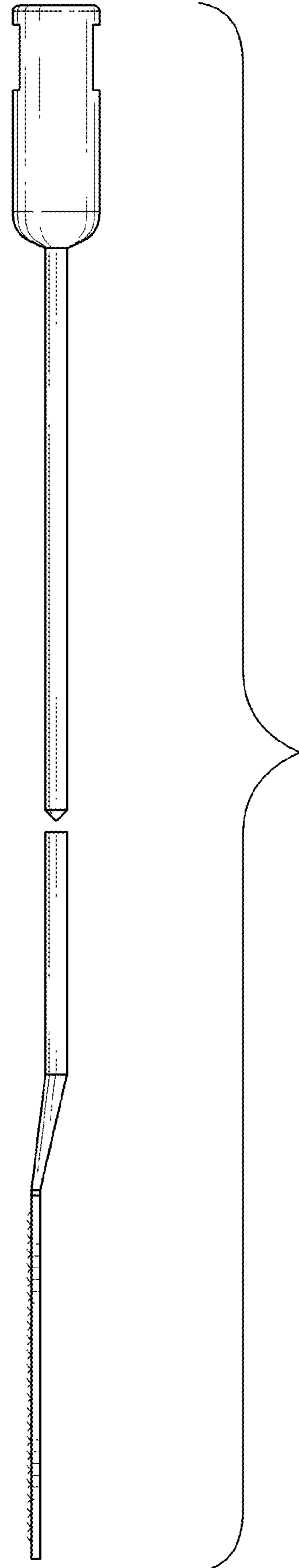


FIG. 5



FIG. 6

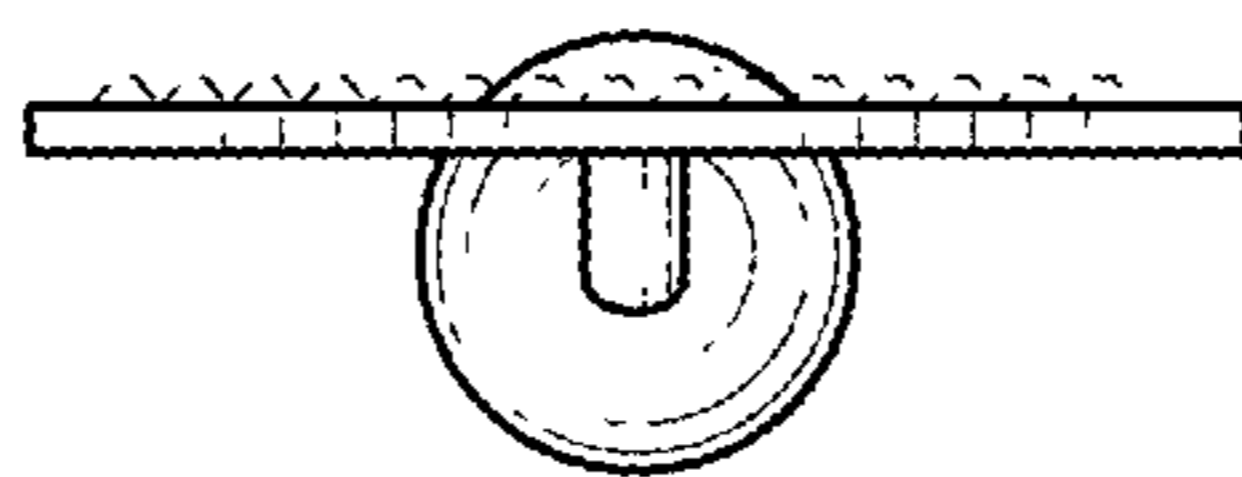


FIG. 7