



US00D929688S

(12) **United States Design Patent** (10) **Patent No.:** **US D929,688 S**
Sanders et al. (45) **Date of Patent:** **** Aug. 31, 2021**

(54) **POWERHEAD FOR BATTERY-POWERED WET/DRY VACUUM CLEANER**

D418,643 S 1/2000 Hoshino
D438,353 S 2/2001 Hoshino et al.
D443,739 S 6/2001 Young et al.

(Continued)

(71) Applicant: **Emerson Electric Co.**, St. Louis, MO (US)

FOREIGN PATENT DOCUMENTS

(72) Inventors: **Jeremy Sanders**, St. Louis, MO (US); **Matthew A. Williams**, Bridgeton, MO (US); **Taylor Fauss**, Florissant, MO (US)

CA ID87833 S 10/1999
CA ID89522 S 5/2000

(Continued)

(73) Assignee: **Emerson Electric Co.**, St. Louis, MO (US)

OTHER PUBLICATIONS

(**) Term: **15 Years**

RIGID 18 V 9 Gal. Cordless Wet/Dry Shop Vac Review, available in www.johnmalecki.com, announced Mar. 7, 2020 [online], [site visited Mar. 8, 2021], Internet URL: https://www.johnmalecki.com/post/ridgid-18v-9-gal-cordless-wet-dry-shop-vac-review (Year: 2020).*

(Continued)

(21) Appl. No.: **29/710,817**

(22) Filed: **Oct. 25, 2019**

Primary Examiner — Dana K Weiland
Assistant Examiner — Jennylou M Binas

(74) *Attorney, Agent, or Firm* — Armstrong Teasdale LLP

Related U.S. Application Data

(62) Division of application No. 29/645,963, filed on Apr. 30, 2018, now Pat. No. Des. 874,765.

(51) **LOC (13) Cl.** **15-05**

(52) **U.S. Cl.**
USPC **D32/21**

(58) **Field of Classification Search**
USPC D32/21, 23, 29, 31, 34; D15/144; D8/70, 303, 396
CPC A47L 5/365; A47L 7/0004; A47L 7/0019; A47L 9/0009; A47L 9/0036; A47L 9/127; A47L 9/1409; A47L 9/22; A47L 9/242; A47L 9/28; A47L 9/32; A47L 9/325; B01D 2279/55

See application file for complete search history.

CLAIM

We claim the ornamental design for a powerhead for battery-powered wet/dry vacuum cleaner, as shown and described.

DESCRIPTION

FIG. 1 is a front perspective view of a powerhead for battery-powered wet/dry vacuum cleaner showing the new design.

FIG. 2 is a front view thereof.

FIG. 3 is a rear view thereof.

FIG. 4 is a right side view thereof.

FIG. 5 is a left side view thereof; and,

FIG. 6 is a top view thereof.

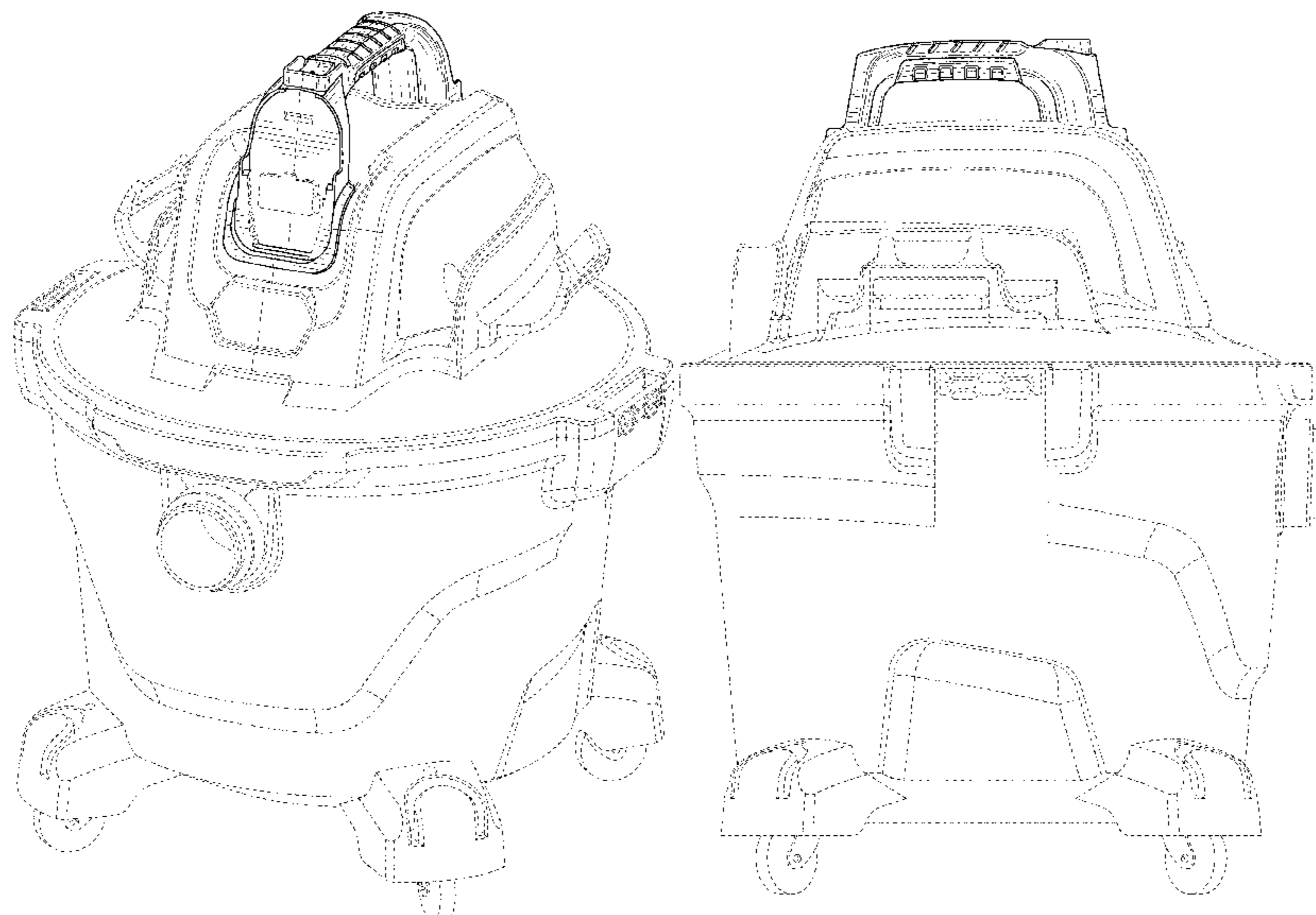
The broken lines show portions of the powerhead for battery-powered wet/dry vacuum cleaner that form no part of the claimed design.

(56) **References Cited**

U.S. PATENT DOCUMENTS

D178,199 S * 7/1956 Martinec D32/23
D362,091 S 9/1995 Tomasiak et al.

1 Claim, 6 Drawing Sheets



(56)

References Cited

U.S. PATENT DOCUMENTS

D447,609 S 9/2001 Hult et al.
 D479,023 S 8/2003 Holsten et al.
 D486,280 S 2/2004 Holsten et al.
 D492,823 S 7/2004 Hoshino et al.
 D492,824 S 7/2004 Tomasiak et al.
 D519,251 S 4/2006 Hoshino et al.
 D520,689 S 5/2006 Eccardt et al.
 D528,256 S 9/2006 Beth et al.
 D528,718 S 9/2006 Tomasiak et al.
 D537,992 S 3/2007 Hoshino
 D541,818 S 5/2007 Rhea et al.
 D549,903 S 8/2007 Eccardt et al.
 D551,681 S 9/2007 Rhea et al.
 D558,410 S 12/2007 Hill et al.
 D565,269 S 3/2008 Tomasiak et al.
 D577,164 S 9/2008 Williams et al.
 D580,115 S 11/2008 Theising et al.
 D595,910 S 7/2009 Hollis et al.
 D596,359 S 7/2009 Hollis et al.
 D614,369 S 4/2010 Theising et al.
 D615,259 S 5/2010 Theising et al.
 D617,514 S 6/2010 Hollis et al.
 D618,870 S 6/2010 Williams et al.
 D619,770 S 7/2010 Moore, Jr.
 D634,494 S * 3/2011 Theising D32/31
 D647,260 S 10/2011 Hollis et al.
 D647,261 S 10/2011 Schultz et al.
 D651,101 S 12/2011 Ziganek et al.
 D657,101 S * 4/2012 Williams D32/23
 D666,369 S 8/2012 Williams et al.
 D669,646 S * 10/2012 Theising D32/23
 D670,046 S 10/2012 Theising et al.
 D670,048 S 10/2012 Theising et al.
 D672,929 S * 12/2012 Gottschall D32/31
 D675,389 S * 1/2013 Seasholtz D32/31
 D675,795 S * 2/2013 Jin D32/21
 D676,205 S 2/2013 Theising et al.
 8,590,099 B2 11/2013 Sang et al.
 D740,504 S 10/2015 Williams et al.
 D743,655 S * 11/2015 Holsten D32/31
 9,351,620 B2 * 5/2016 Frank A47L 5/365
 D815,379 S * 4/2018 Griffin D32/31
 D830,014 S * 10/2018 Jin D32/21
 D834,775 S 11/2018 Griffin et al.
 10,231,589 B2 * 3/2019 Bian A47L 9/0036
 D863,022 S * 10/2019 Papafagos D8/303

D865,305 S * 10/2019 Wall D32/21
 10,426,308 B2 * 10/2019 Stanek A47L 5/365
 D867,702 S * 11/2019 Wall D32/31
 D868,404 S * 11/2019 Wall D32/21
 D874,760 S * 2/2020 Knight D32/21
 D874,765 S * 2/2020 Sanders D32/31
 D877,433 S * 3/2020 Fry D32/31
 2005/0116129 A1 * 6/2005 Boudreau F16L 3/245
 248/228.7
 2014/0075711 A1 * 3/2014 Sang A47L 9/22
 15/327.2
 2014/0201943 A1 * 7/2014 Williams A47L 9/00
 15/347
 2015/0342427 A1 * 12/2015 Zhu A47L 5/365
 15/323
 2016/0120383 A1 * 5/2016 Stanek A47L 9/242
 15/300.1
 2017/0280955 A1 * 10/2017 Gottschall A47L 9/1409
 2018/0055314 A1 * 3/2018 Rupp A47L 9/242
 2018/0235420 A1 * 8/2018 Stanek A47L 9/0027
 2018/0296962 A1 * 10/2018 Sang B01D 46/521
 2019/0059666 A1 * 2/2019 Gierer A47L 5/365
 2019/0328191 A1 * 10/2019 Tomasiak A47L 9/00
 2019/0328192 A1 * 10/2019 Wilsey A47L 9/0036
 2019/0329940 A1 * 10/2019 Tomasiak B65D 45/18
 2020/0245830 A1 * 8/2020 Sanders A47L 5/365

FOREIGN PATENT DOCUMENTS

CA ID89523 S 5/2000
 CA ID90731 S 10/2000
 CA 184374 * 1/2020
 CA 191379 * 1/2020
 CA 191380 * 1/2020
 CA 191381 * 1/2020
 CN 305222855 * 6/2019

OTHER PUBLICATIONS

9 Gal. 18-Volt Cordless Wet/Dry Shop Vacuum, available in homedepot.com, customer review oldest date Apr. 20, 2019 [online], [site visited Mar. 9, 2021], Available from the internet URL: [https://www.homedepot.com/p/RIDGID-9-Gal-18-Volt-Cordless-Wet-Dry-Shop-Vacuum-Tool-Only-with-Filter-Hose-and-Accessories-HD0918/308699714?MERCH=REC-_pipinstock-_304795071-_308699714_-N&\(Year: 2019\).](https://www.homedepot.com/p/RIDGID-9-Gal-18-Volt-Cordless-Wet-Dry-Shop-Vacuum-Tool-Only-with-Filter-Hose-and-Accessories-HD0918/308699714?MERCH=REC-_pipinstock-_304795071-_308699714_-N&(Year: 2019).)*

* cited by examiner

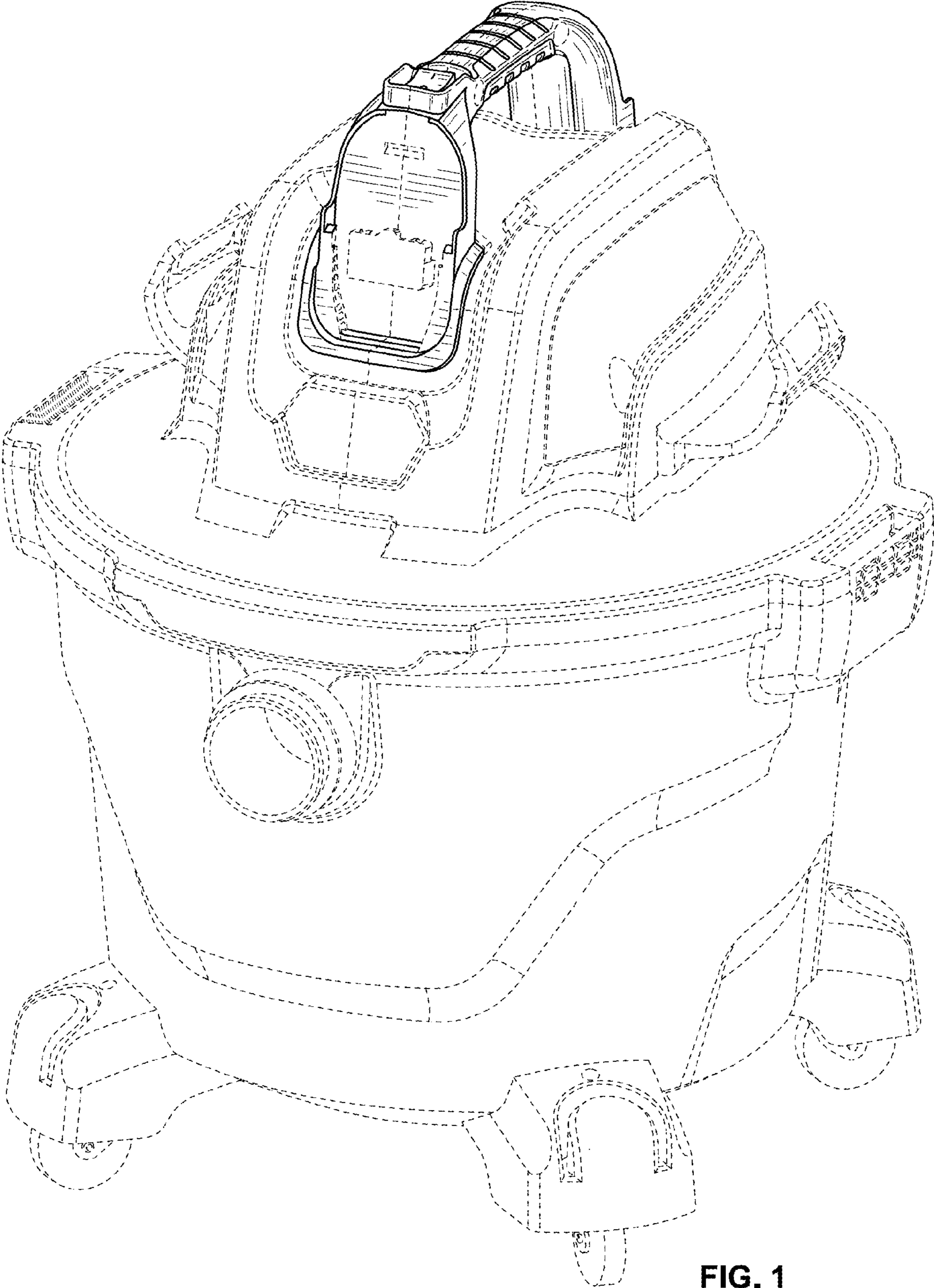


FIG. 1

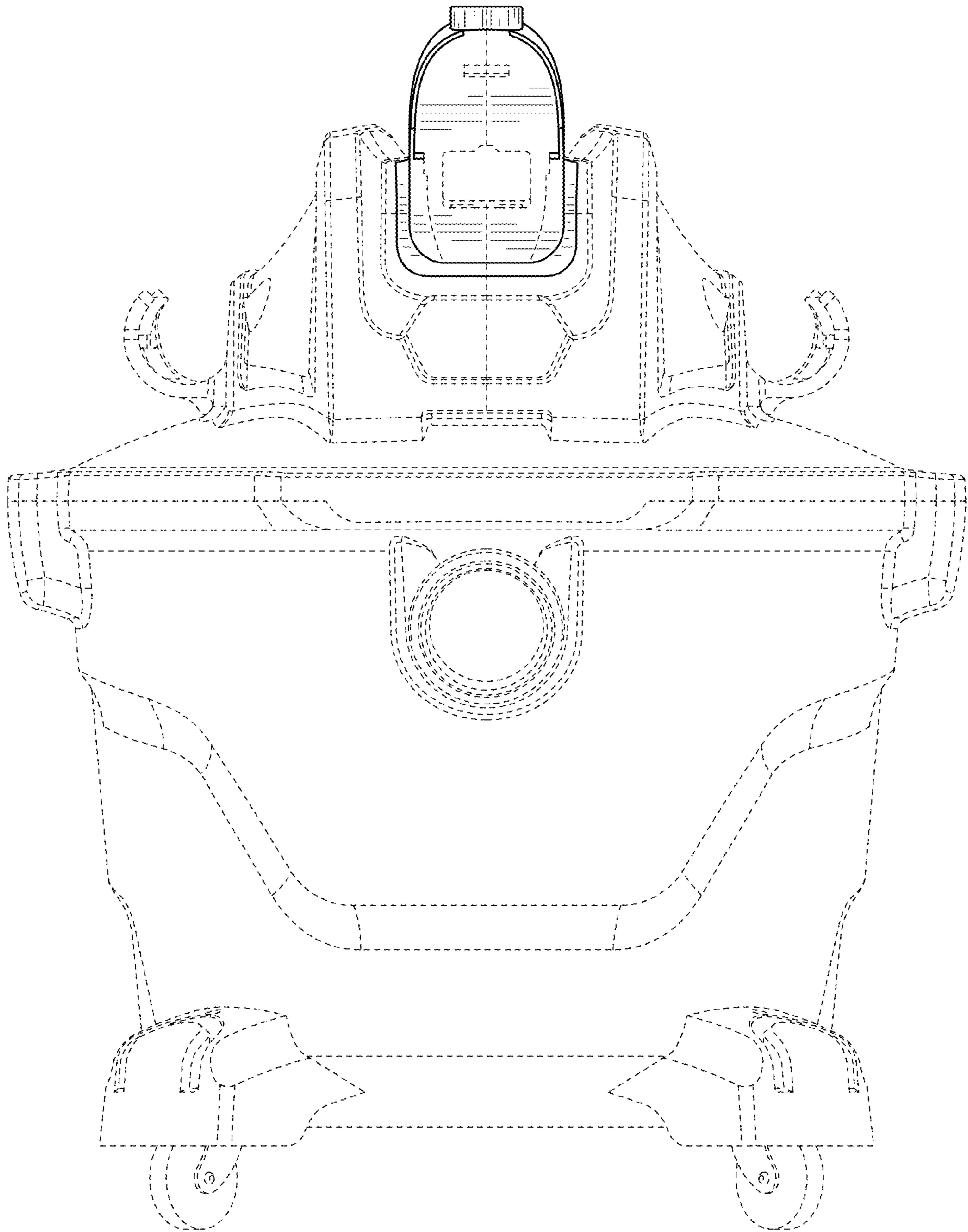


FIG. 2

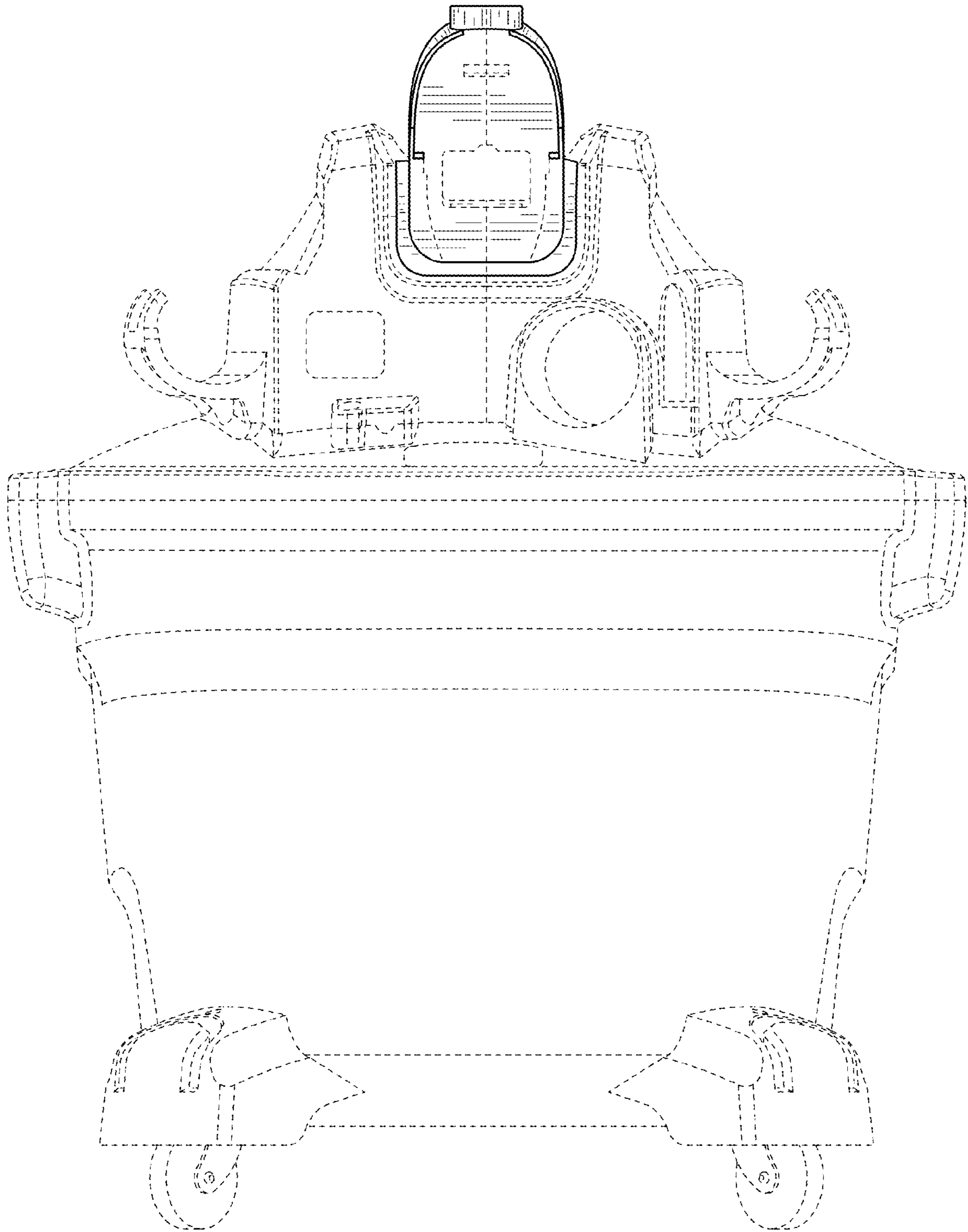


FIG. 3

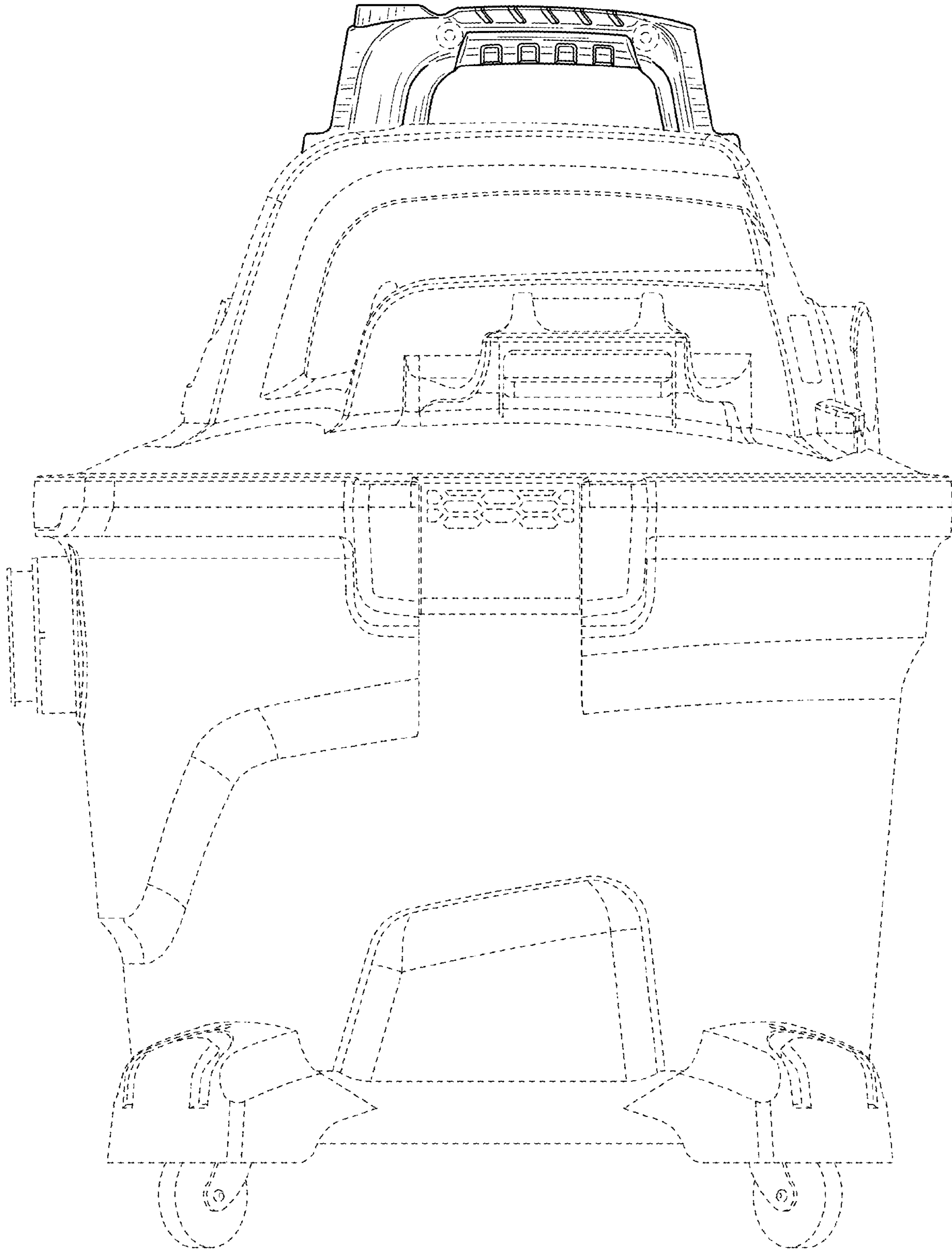


FIG. 4

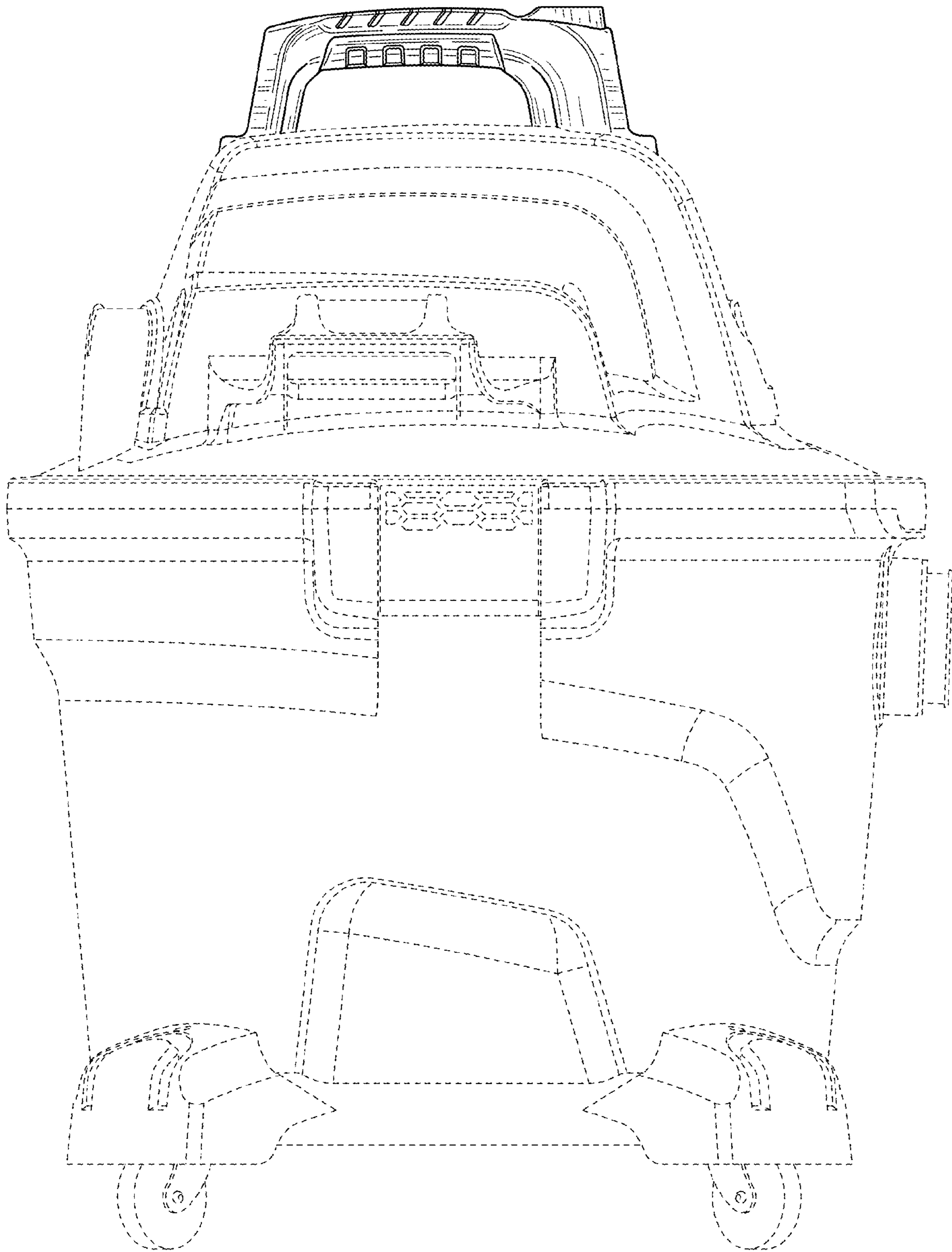


FIG. 5

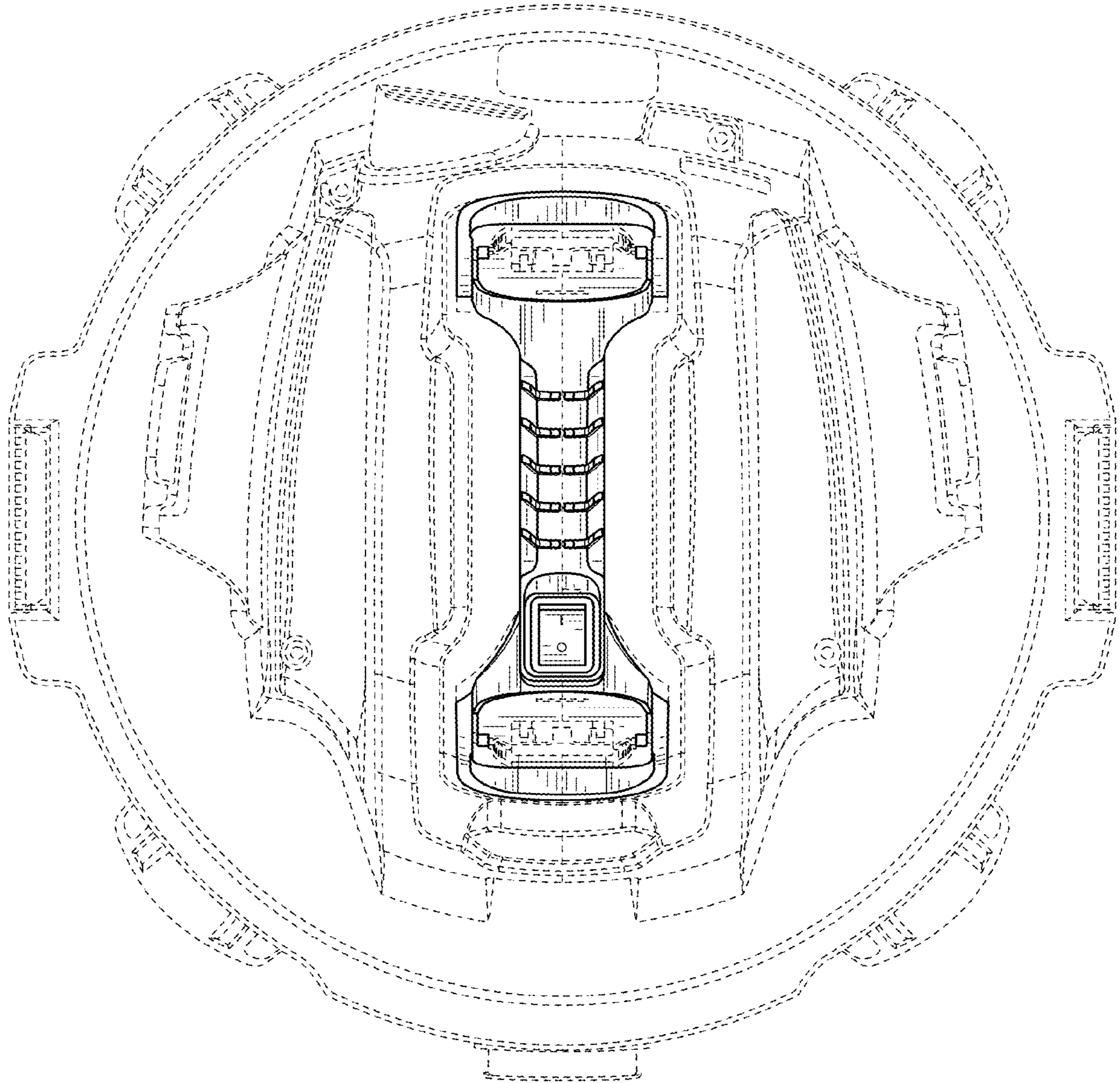


FIG. 6