



US00D929686S

(12) **United States Design Patent**  
**Uim et al.**

(10) **Patent No.:** **US D929,686 S**

(45) **Date of Patent:** **\*\* Aug. 31, 2021**

(54) **CLEANER**

(71) Applicant: **Samsung Electronics Co., Ltd.**,  
Suwon-si (KR)

(72) Inventors: **Donghyuk Uim**, Seoul (KR);  
**Yeonyoung Nam**, Goyang-si (KR);  
**Hyounsub Choi**, Goyang-si (KR)

(73) Assignee: **SAMSUNG ELECTRONICS CO., LTD.**,  
Gyeonggi-Do (KR)

(\*\*) Term: **15 Years**

(21) Appl. No.: **29/681,729**

(22) Filed: **Feb. 27, 2019**

(30) **Foreign Application Priority Data**

Aug. 29, 2018 (KR) ..... 30-2018-0040336

(51) **LOC (13) Cl.** ..... **15-05**

(52) **U.S. Cl.**  
USPC ..... **D32/18**

(58) **Field of Classification Search**  
USPC ..... D32/17, 34, 69–70, 72, 18, 21, 25, 71,  
D32/73, 1, 9, 15, 16, 31; 70/20–22, 57,  
70/57.1, DIG. 26, DIG. 27, DIG. 44  
CPC . A47L 5/24; A47L 5/28; A47L 7/0038; A47L  
5/38; A47L 11/4044; A47L 11/34; A47L  
9/325; A47L 9/02; A47L 1/08; A46B  
11/001; A46B 11/002; A46B 11/00  
See application file for complete search history.

(56) **References Cited**

**U.S. PATENT DOCUMENTS**

D346,387 S \* 4/1994 Cooper ..... D15/4  
6,065,181 A \* 5/2000 Cleveland ..... A47L 5/26  
15/344  
D517,757 S \* 3/2006 Santiago ..... D32/31  
D581,612 S \* 11/2008 Yoo ..... D32/31

D608,963 S \* 1/2010 Reese ..... D32/31  
D669,237 S \* 10/2012 Kim ..... D32/31  
8,302,250 B2 \* 11/2012 Dyson ..... A47L 5/24  
15/327.1  
D703,889 S \* 4/2014 Shin ..... D32/18  
D738,052 S \* 9/2015 Kim ..... D32/18  
D746,525 S \* 12/2015 Yun ..... D32/31  
D789,633 S \* 6/2017 Meyer ..... D32/31  
D804,114 S \* 11/2017 Kim ..... D32/18  
D821,046 S \* 6/2018 Kim ..... D32/31  
D826,493 S \* 8/2018 Nam ..... D32/18  
D844,912 S \* 4/2019 Gammack ..... D32/18

(Continued)

**FOREIGN PATENT DOCUMENTS**

CN 304499519 2/2018  
CN 304651523 5/2018

(Continued)

*Primary Examiner* — Manpreet S Matharu

*Assistant Examiner* — Yolanda Robinson

(74) *Attorney, Agent, or Firm* — Cantor Colburn LLP

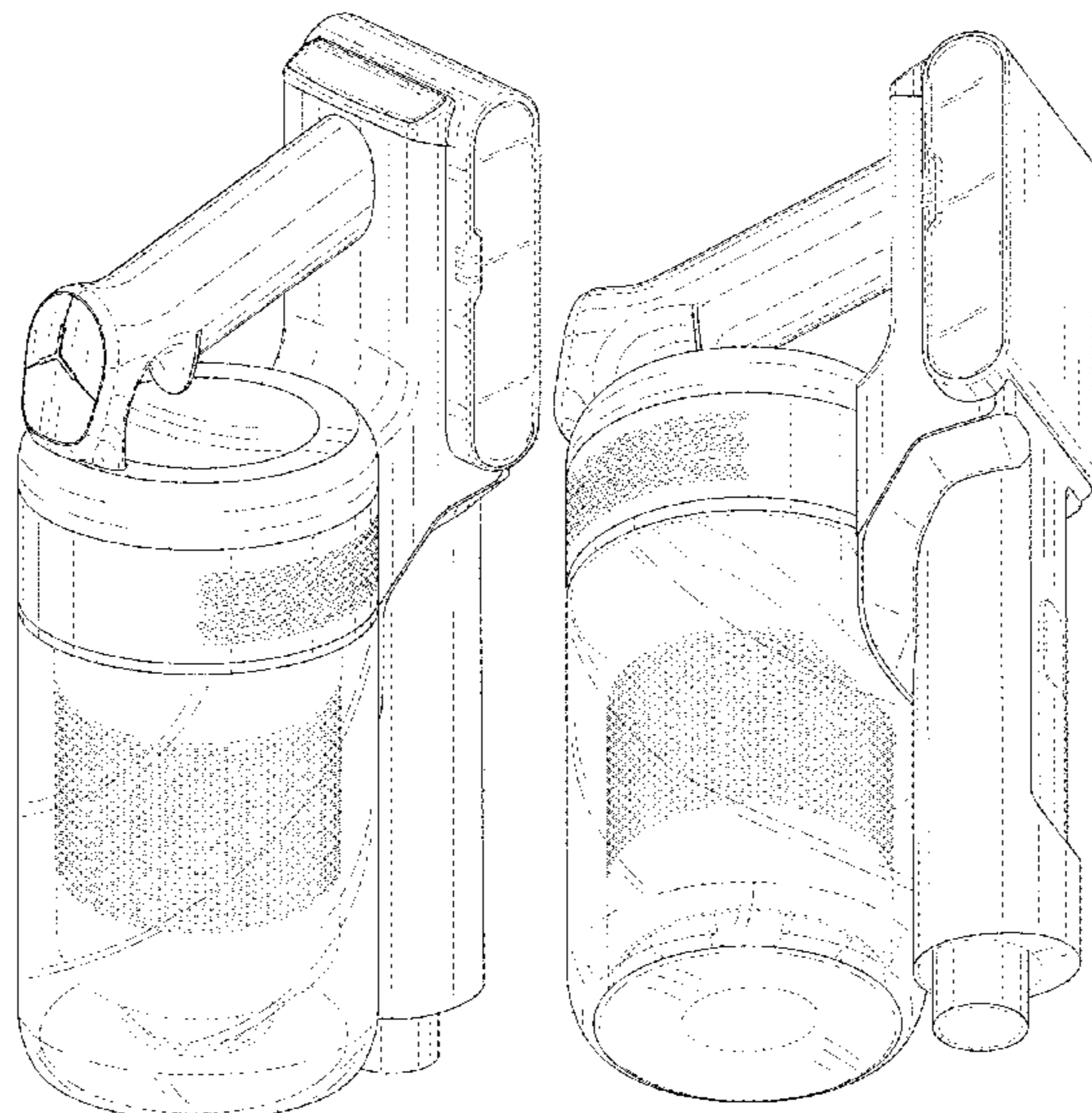
(57) **CLAIM**

The ornamental design for a cleaner, as shown and described.

**DESCRIPTION**

FIG. 1 is a front perspective view of a cleaner, showing our new design;  
FIG. 2 is a front view thereof;  
FIG. 3 is a rear view thereof;  
FIG. 4 is a left side view thereof;  
FIG. 5 is a right side view thereof;  
FIG. 6 is a top view thereof;  
FIG. 7 is a bottom view thereof;  
FIG. 8 is a rear perspective view thereof; and,  
FIG. 9 is another rear perspective view thereof.  
The broken lines illustrating portions of the cleaner form no part of the claimed design.

**1 Claim, 8 Drawing Sheets**



(56)

**References Cited**

U.S. PATENT DOCUMENTS

D854,266 S \* 7/2019 Gammack ..... D32/18  
D855,911 S \* 8/2019 Gammack ..... D32/18  
D861,265 S \* 9/2019 Gammack ..... D32/18  
D868,402 S \* 11/2019 Luo ..... D32/18  
2007/0084159 A1\* 4/2007 Oh ..... A47L 9/104  
2018/0055313 A1\* 3/2018 Yang ..... A47L 9/02  
55/337

FOREIGN PATENT DOCUMENTS

EM 0033502300001 8/2016  
JP 1528478 6/2015  
KR 3009530160001 4/2018

\* cited by examiner

FIG. 1

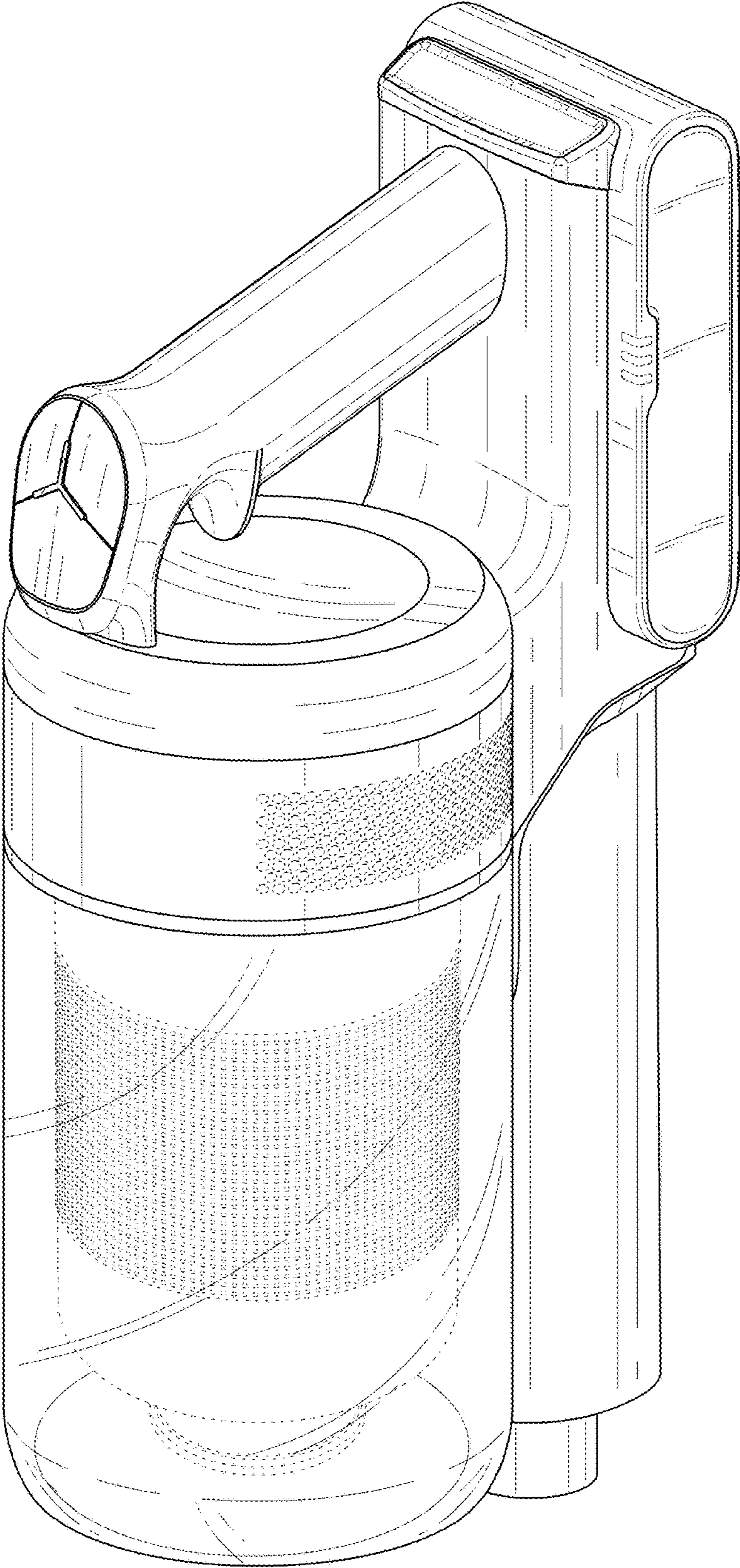


FIG. 2

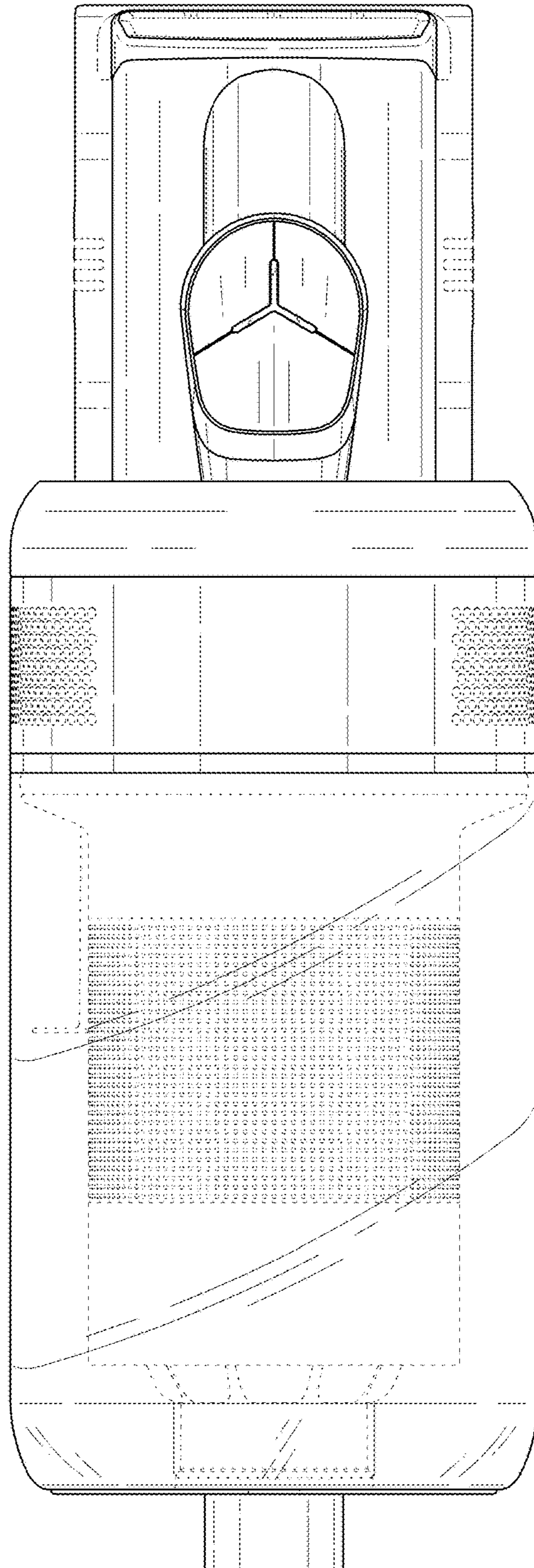


FIG. 3

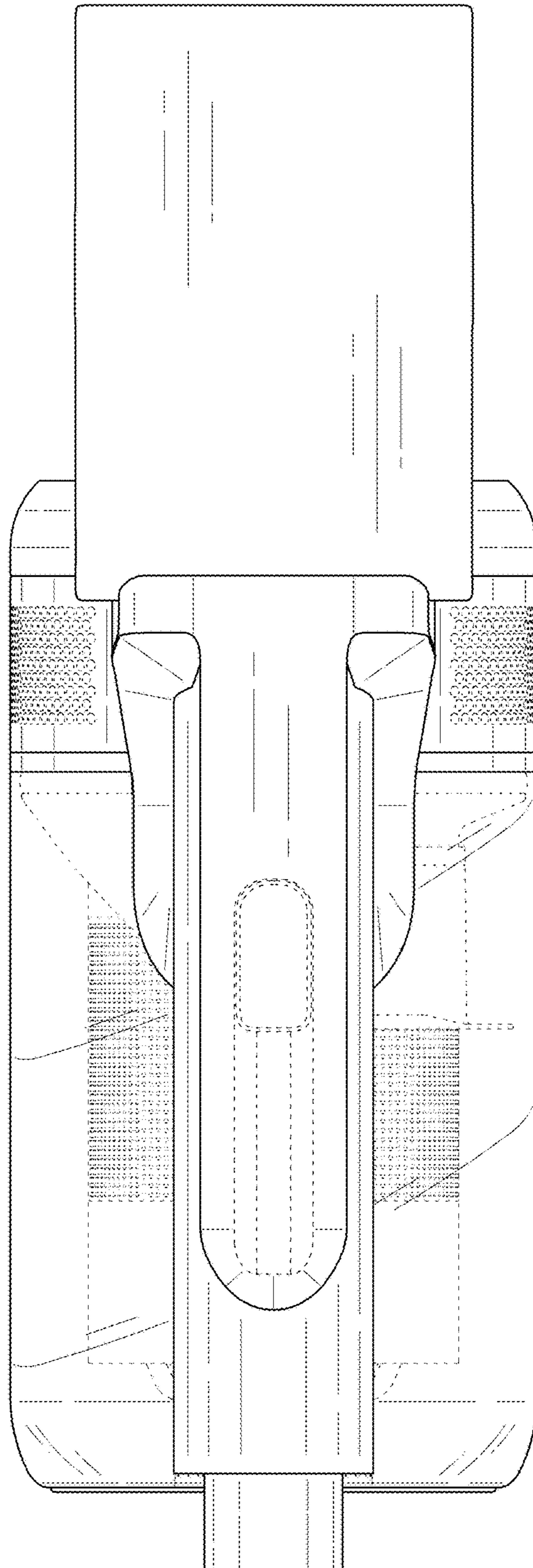


FIG. 4

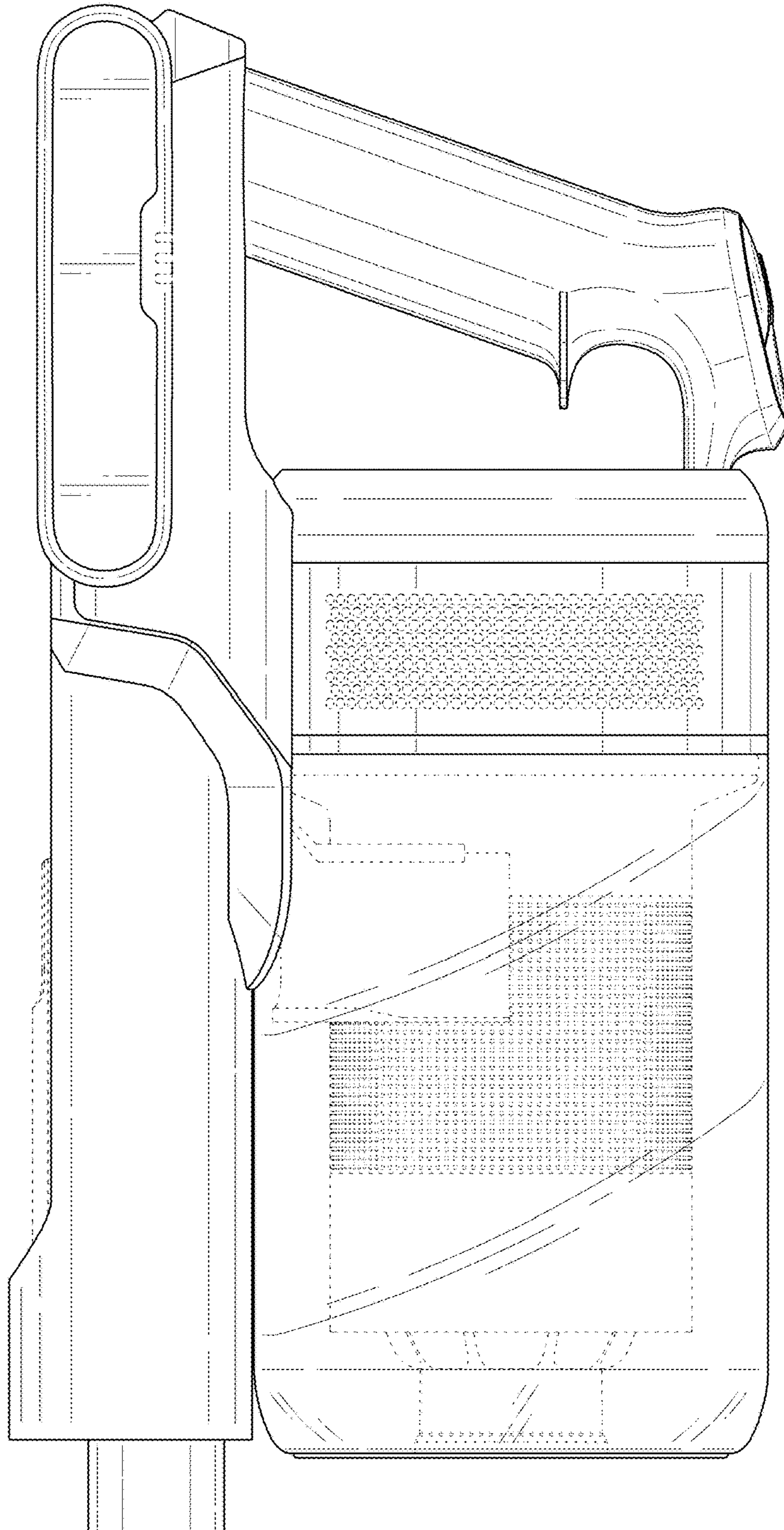


FIG. 5

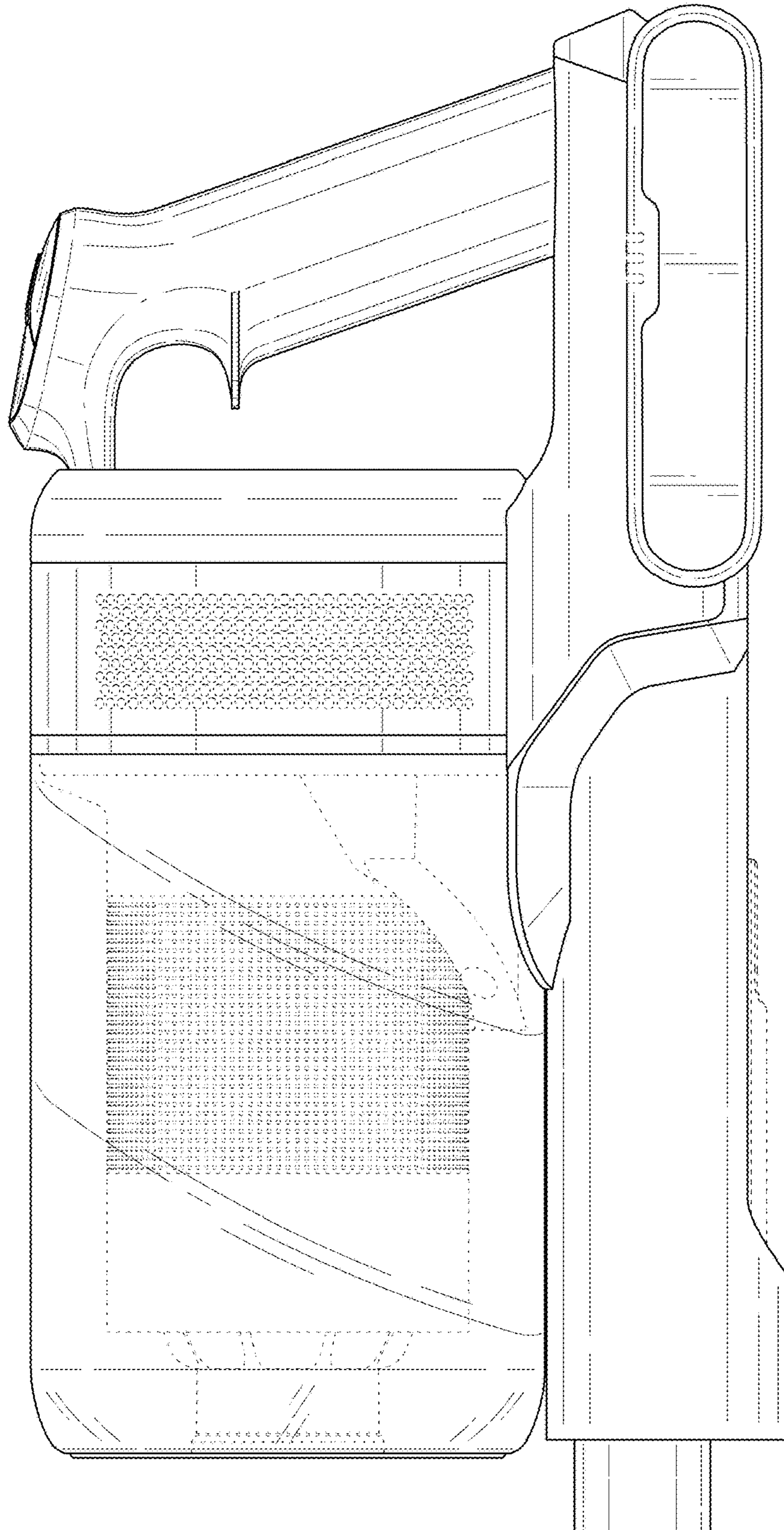


FIG. 6

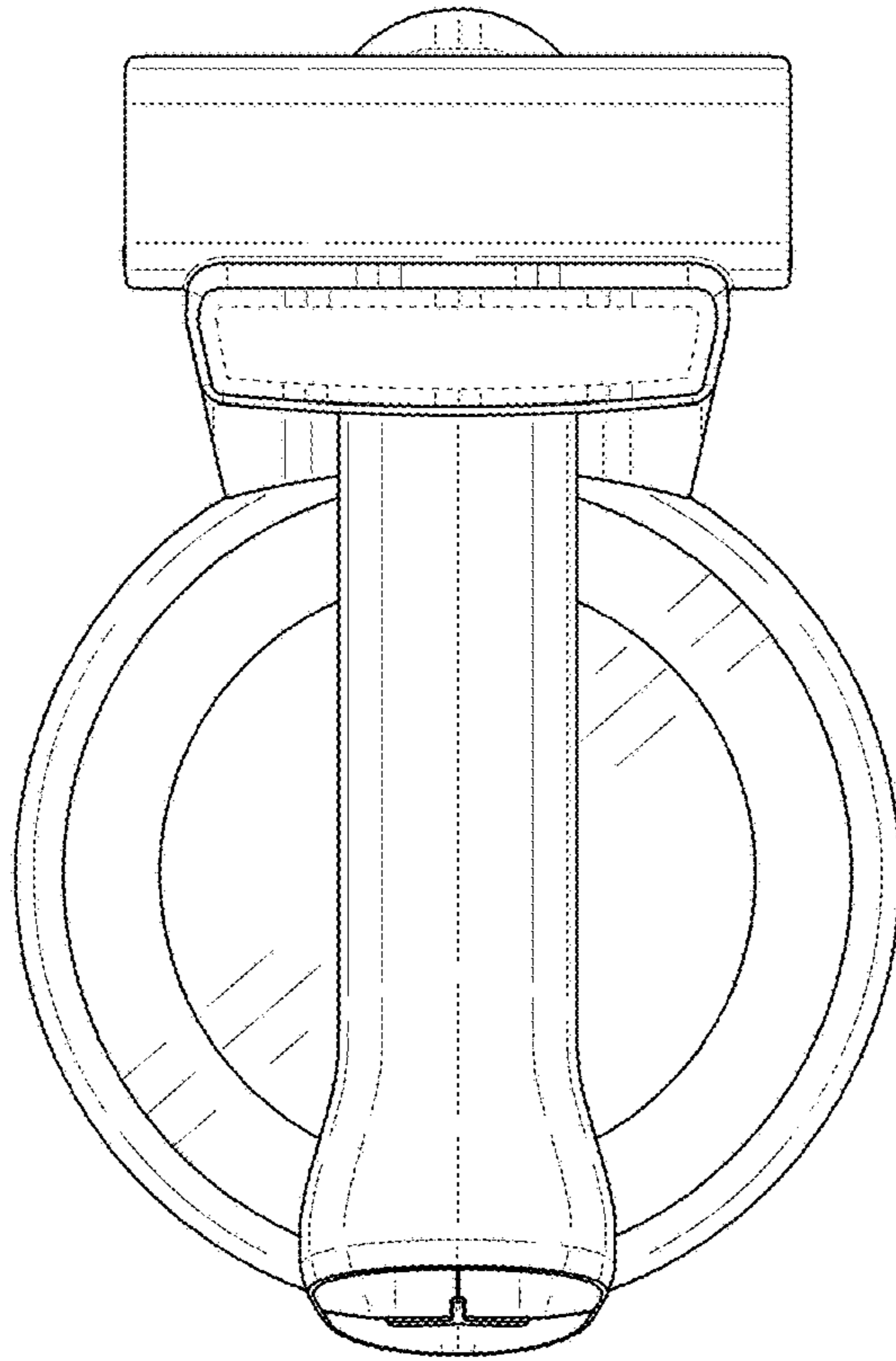


FIG. 7

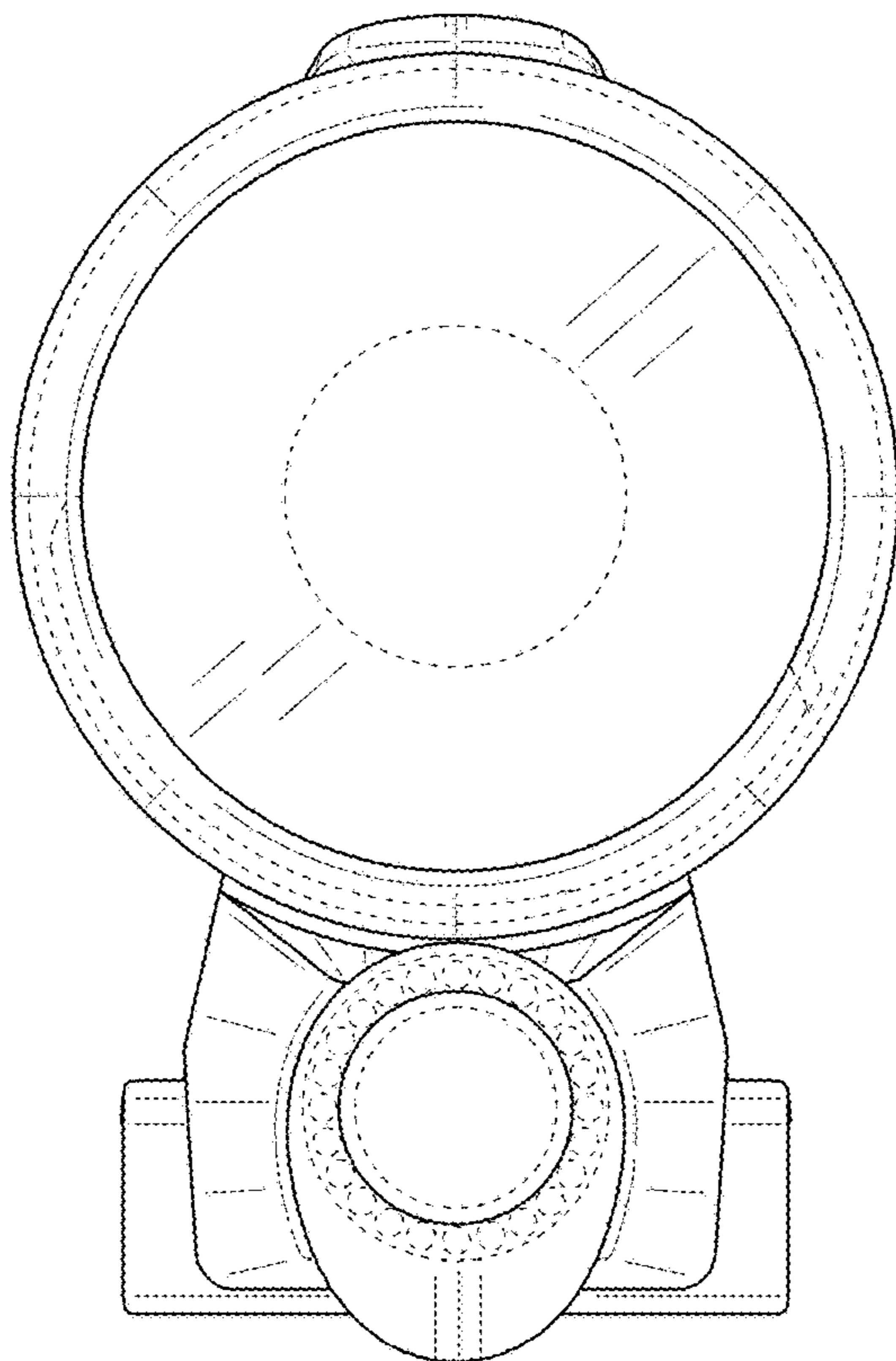




FIG. 8

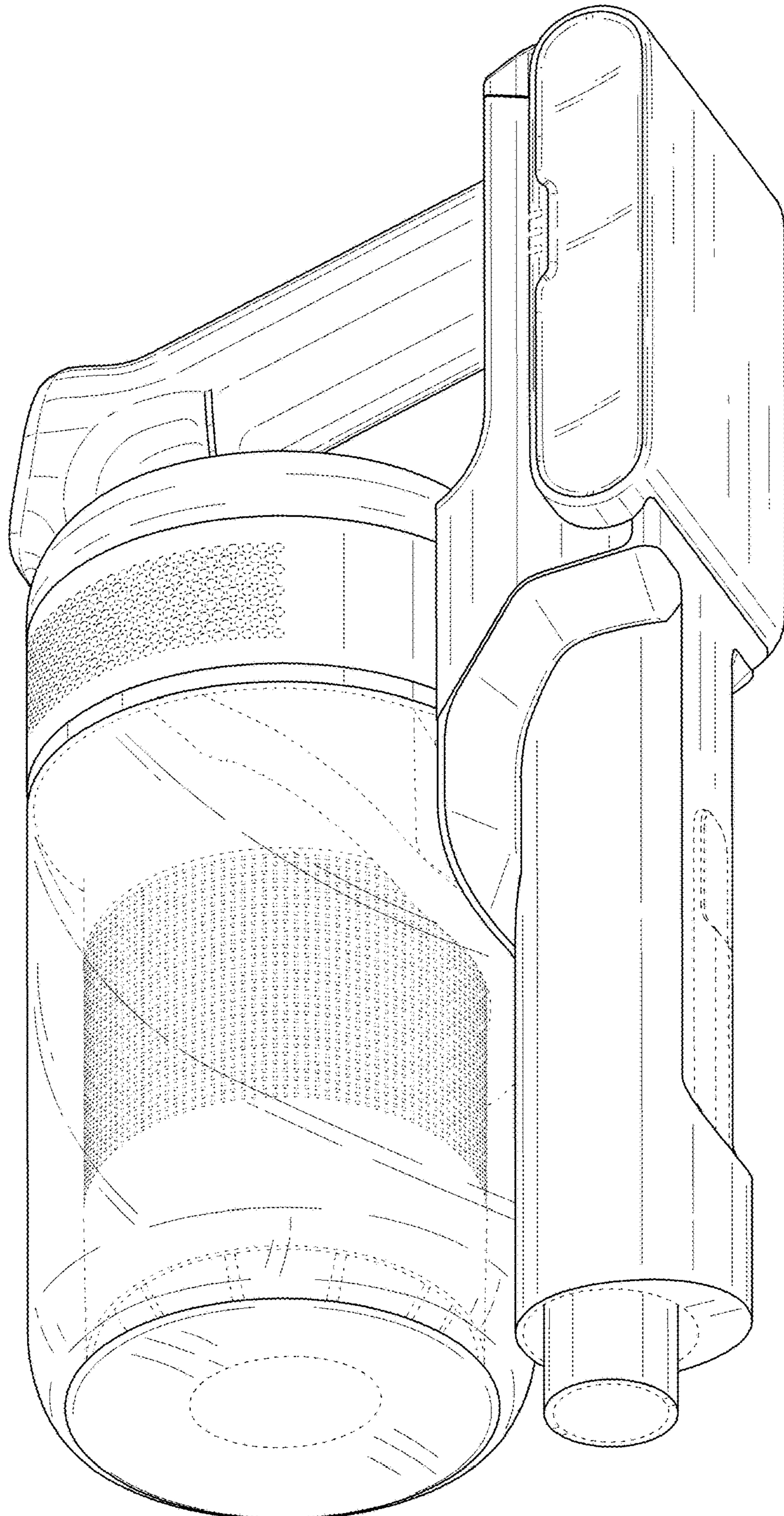


FIG. 9

