



US00D929685S

(12) **United States Design Patent**
Choi et al.

(10) **Patent No.:** **US D929,685 S**

(45) **Date of Patent:** **** *Aug. 31, 2021**

(54) **CLEANER**

(71) Applicant: **SAMSUNG ELECTRONICS CO., LTD.**, Suwon-si (KR)

(72) Inventors: **Jaewon Choi**, Seoul (KR); **Yeonsu Kim**, Seoul (KR); **Donghyuk Uim**, Seoul (KR); **Hyoungsub Choi**, Goyang-si (KR); **Hwandong Lee**, Seoul (KR)

(73) Assignee: **SAMSUNG ELECTRONICS CO., LTD.**, Gyeonggi-Do (KR)

(*) Notice: This patent is subject to a terminal disclaimer.

(**) Term: **15 Years**

(21) Appl. No.: **29/678,318**

(22) Filed: **Jan. 28, 2019**

(30) **Foreign Application Priority Data**

Aug. 29, 2018 (KR) 30-2018-0040340

(51) **LOC (13) Cl.** **15-05**

(52) **U.S. Cl.**
USPC **D32/18**

(58) **Field of Classification Search**
USPC D32/17, 18, 21, 25, 71, 73, 1, 9, 15, 16, D32/31, 34, 69-70, 72; 70/20-22, 57, 70/57.1, DIG. 26, DIG. 27, DIG. 44
CPC A47L 5/24; A47L 5/38; A47L 5/28; A47L 11/4044; A47L 11/34; A47L 7/0038; A47L 9/325; A47L 9/02; A47L 1/08; D01H 11/006; A46B 11/001; A46B 11/002; B08B 3/026; B08B 3/028
See application file for complete search history.

(56) **References Cited**

U.S. PATENT DOCUMENTS

6,065,181 A * 5/2000 Cleveland A47L 5/26
15/344
D517,757 S * 3/2006 Santiago D32/31

D581,612 S * 11/2008 Yoo D32/31
D608,963 S * 1/2010 Reese D32/31
D669,237 S * 10/2012 Kim D32/31

(Continued)

FOREIGN PATENT DOCUMENTS

EM 001361141-0006 2/2013
JP D1528478 S 7/2015

(Continued)

OTHER PUBLICATIONS

Samsung, Jet VS90E Stick Vacuum With Turbo Action Brush in Aqua Chrometal (Jun. 2012). Retrieved Mar. 11, 2020 at <https://www.samsung.com/US/home-appliances/vacuums/jet-stick/jet-vs90e-stick-vacuum-with-turbo-action-brush-in-aqua-chrometal-vs20r9042s2-aa/>. (Year: 2012).*

Primary Examiner — Manpreet S Matharu

Assistant Examiner — Yolanda Robinson

(74) *Attorney, Agent, or Firm* — Cantor Colburn LLP

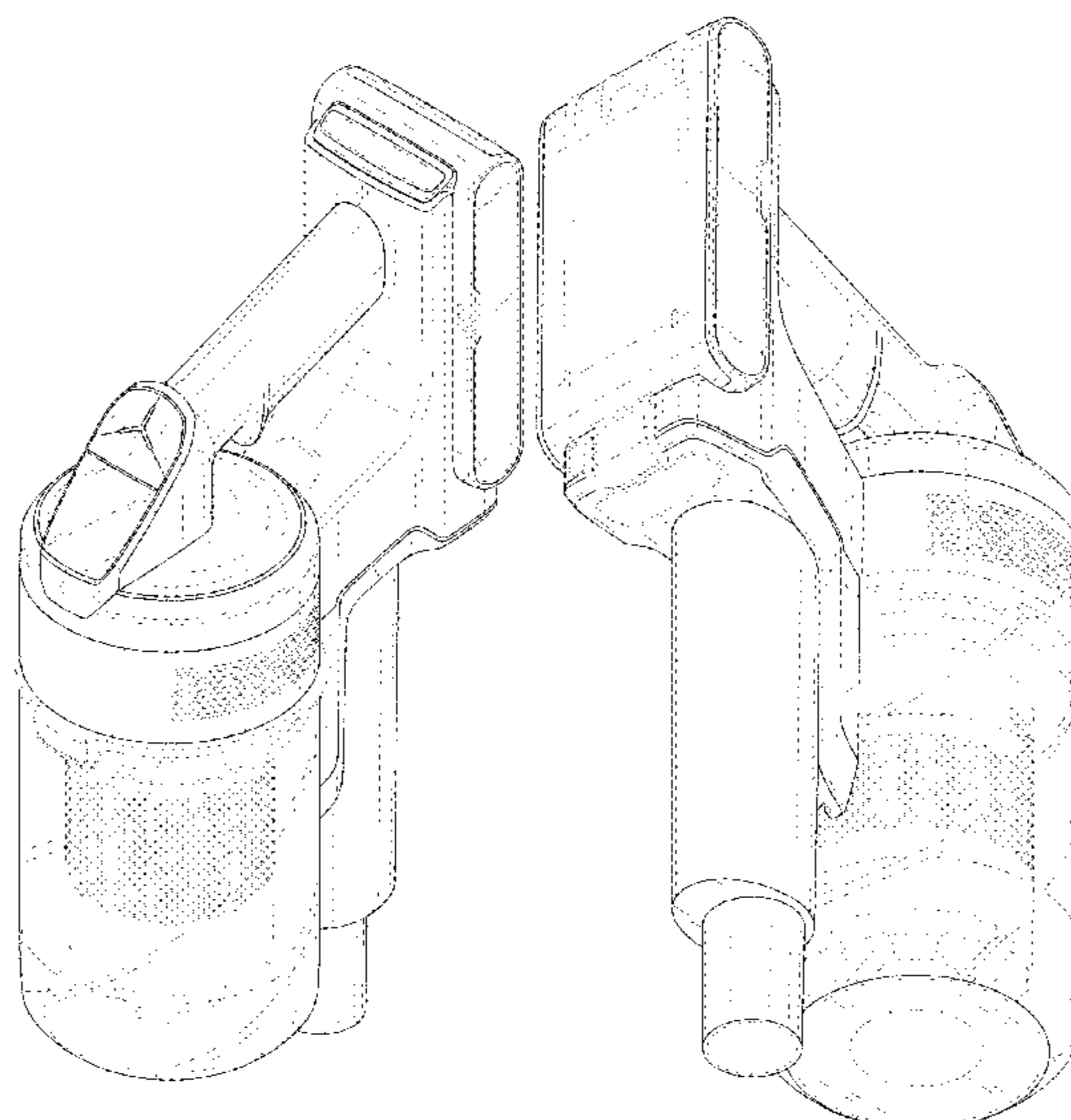
(57) **CLAIM**

The ornamental design for a cleaner, as shown and described.

DESCRIPTION

FIG. 1 is a front perspective view of a cleaner, showing our new design;
FIG. 2 is a front view thereof;
FIG. 3 is a rear view thereof;
FIG. 4 is a left side view thereof;
FIG. 5 is a right side view thereof;
FIG. 6 is a top view thereof;
FIG. 7 is a bottom view thereof;
FIG. 8 is a rear perspective view thereof; and,
FIG. 9 is a bottom rear perspective view thereof.
The even-dash broken lines illustrating portions of the cleaner form no part of the claimed design.

1 Claim, 9 Drawing Sheets



(56)

References Cited

U.S. PATENT DOCUMENTS

D703,889 S * 4/2014 Shin D32/18
D738,052 S * 9/2015 Kim D32/18
D746,525 S * 12/2015 Yun D32/31
D804,114 S * 11/2017 Kim D32/18
D821,046 S * 6/2018 Kim D32/31
D826,493 S * 8/2018 Nam D32/18
D844,912 S * 4/2019 Gammack D32/18
D846,819 S * 4/2019 Gammack D32/18
D854,266 S * 7/2019 Gammack D32/18
D855,911 S * 8/2019 Gammack D32/18
D855,912 S * 8/2019 Gammack D32/18
D861,265 S * 9/2019 Gammack D32/18
D868,402 S * 11/2019 Luo D32/18
2007/0084159 A1 * 4/2007 Oh A47L 9/104
55/337
2018/0055313 A1 * 3/2018 Yang A47L 9/02

FOREIGN PATENT DOCUMENTS

JP D1595416 S 1/2018
KR 300891560 S 7/2017
KR 30-0953016-0001 4/2018

* cited by examiner

FIG. 1

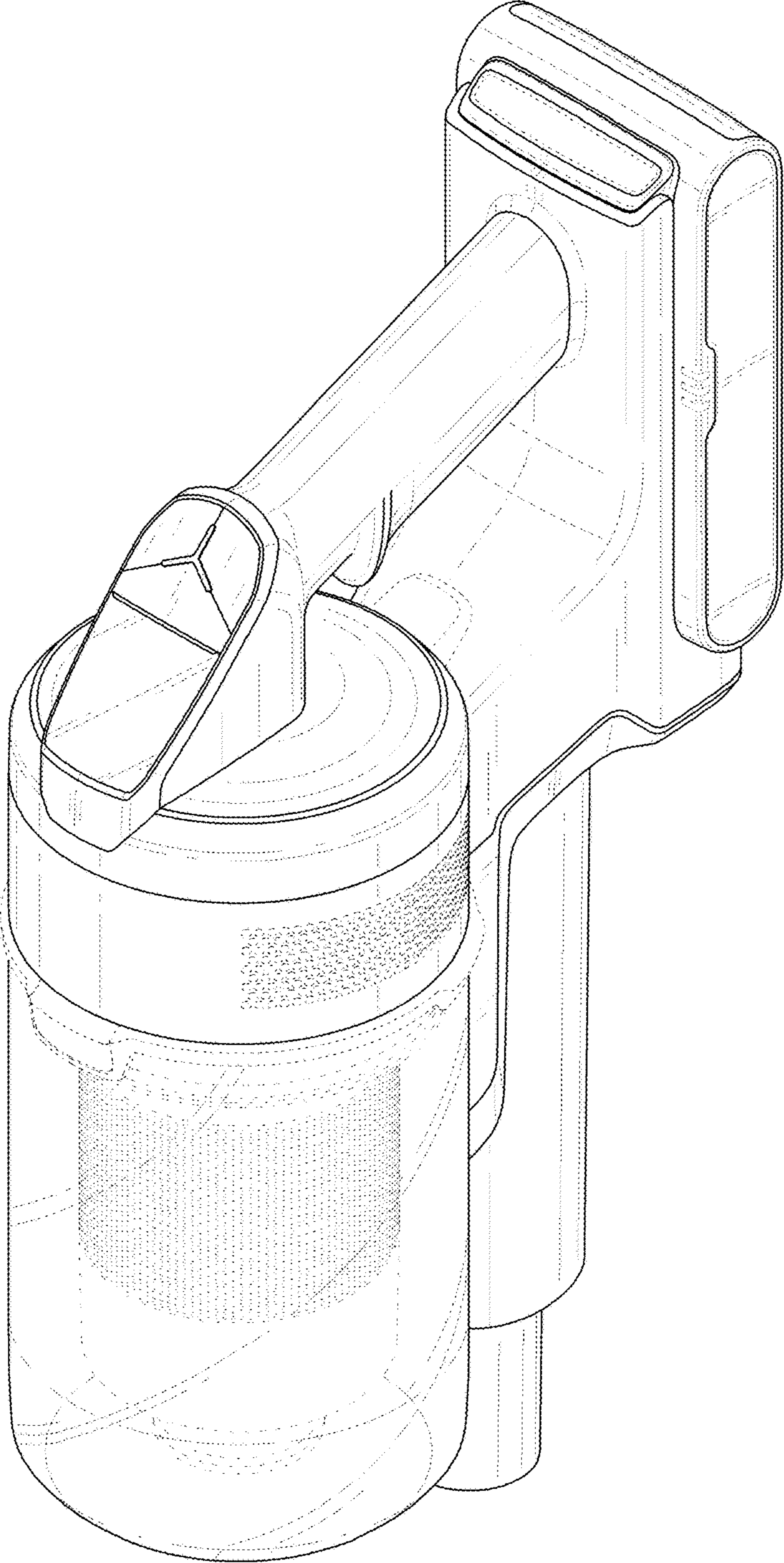


FIG. 2

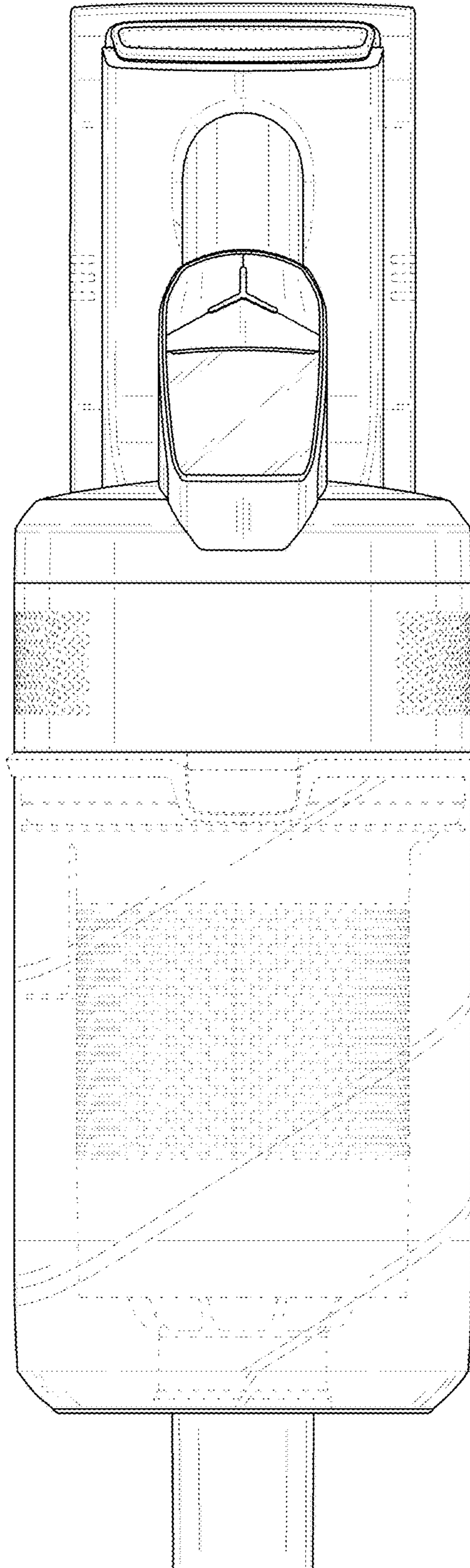


FIG. 3

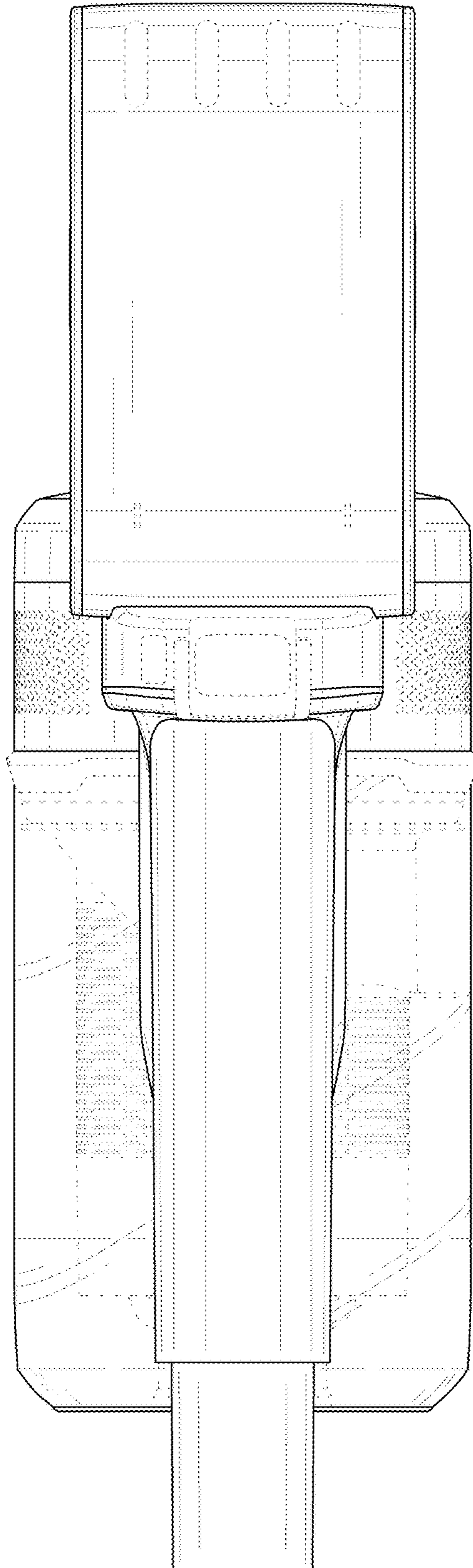


FIG. 4

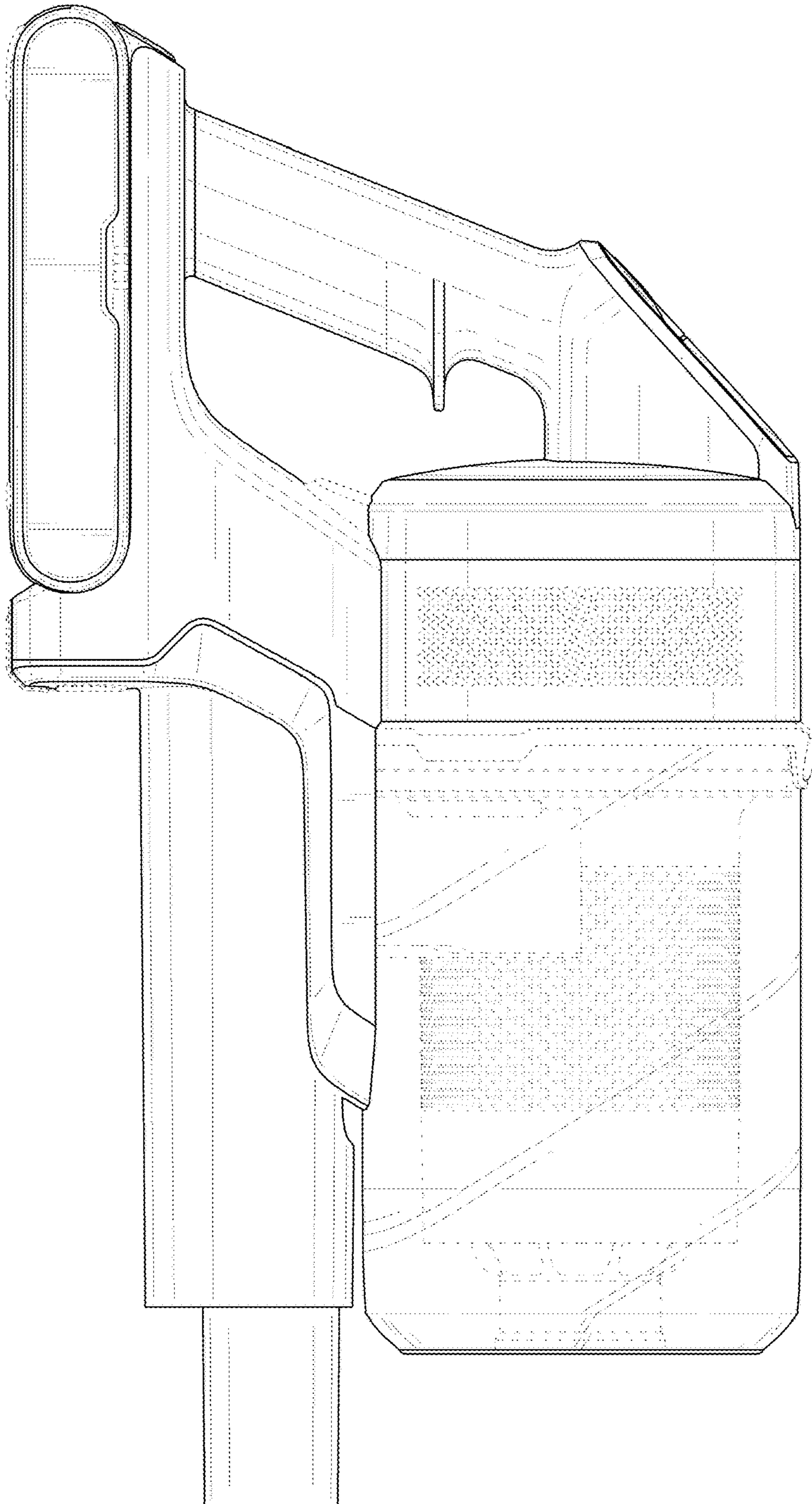


FIG. 5

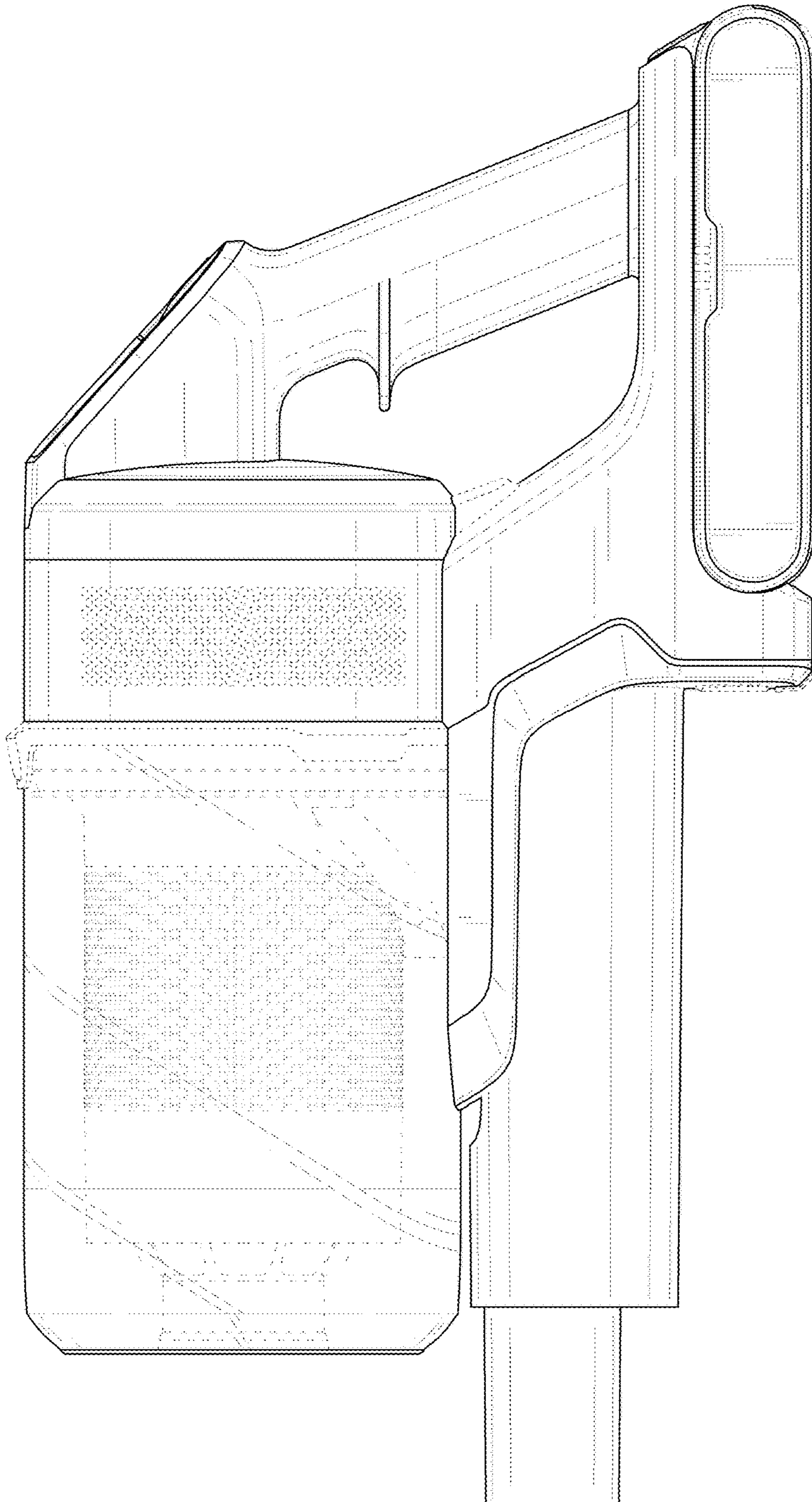


FIG. 6

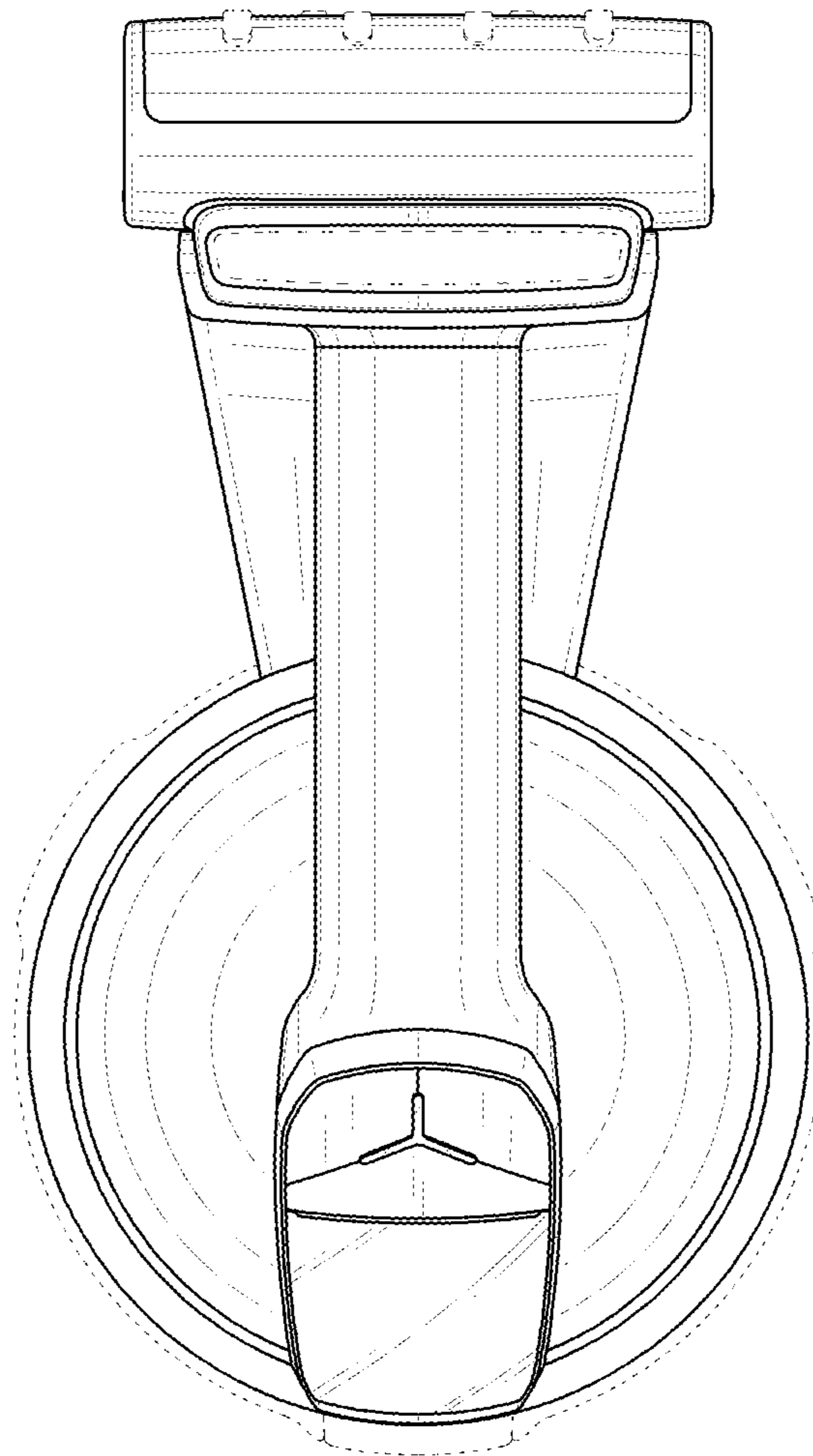


FIG. 7

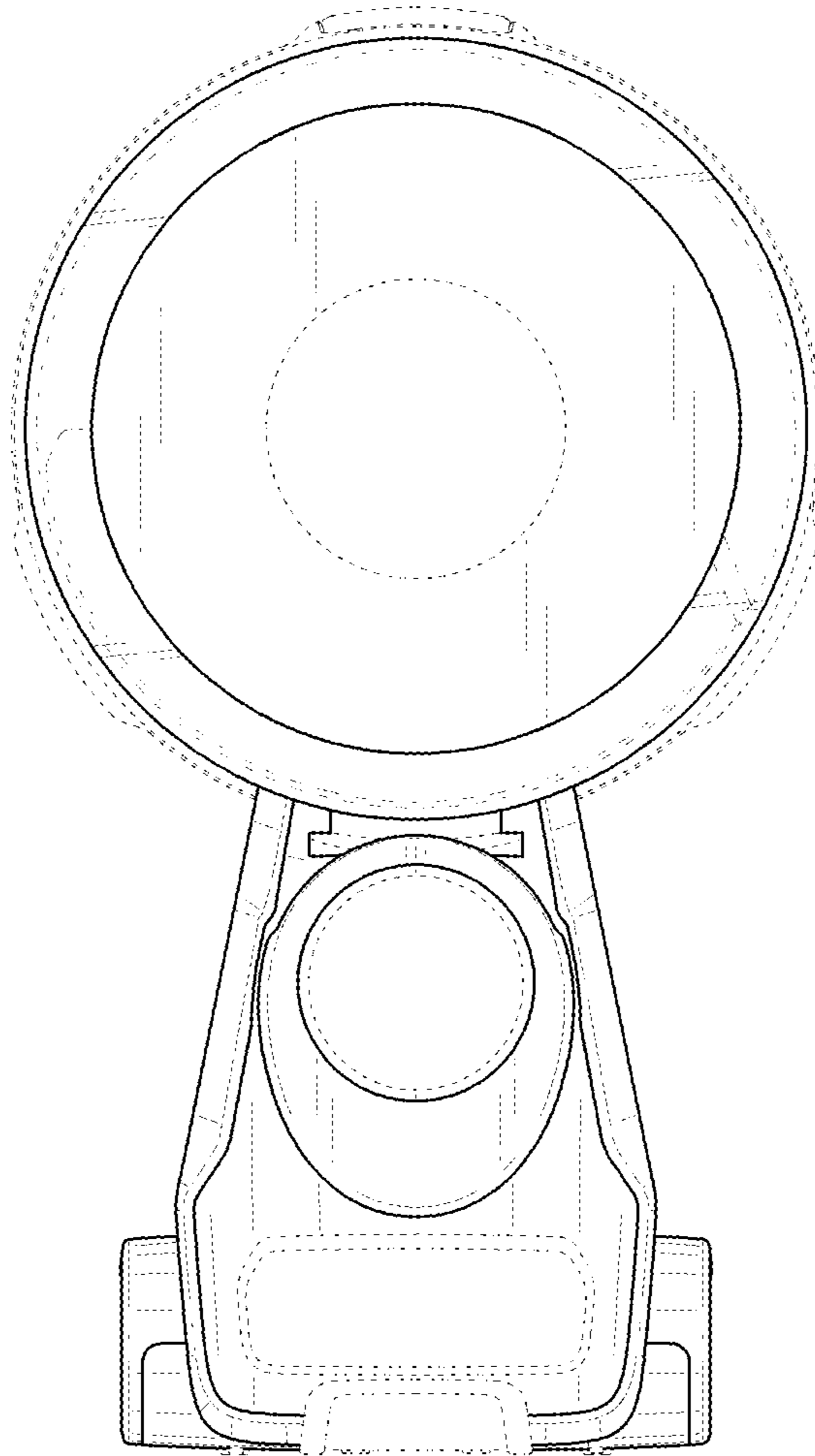


FIG. 8

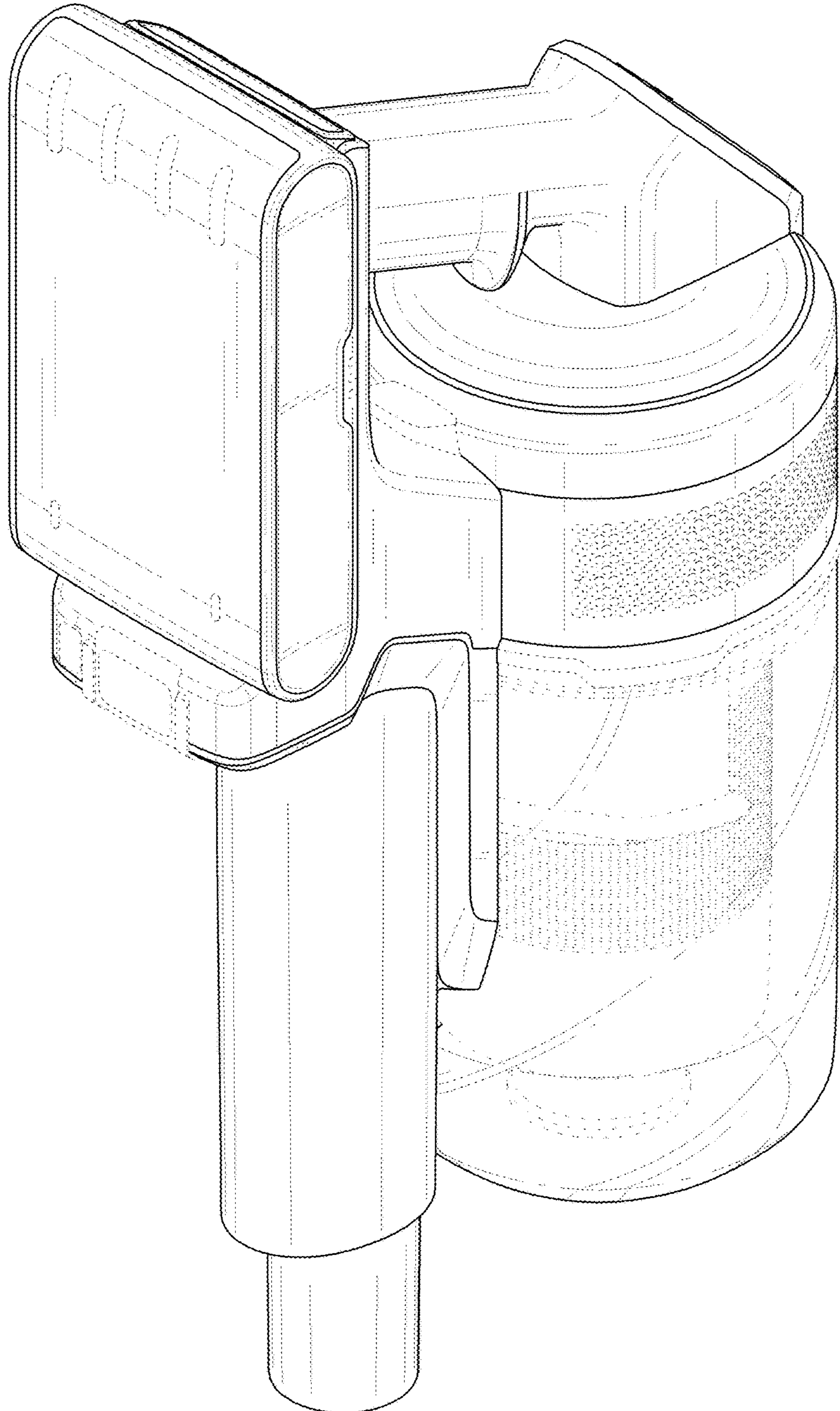


FIG. 9

