



US00D929684S

(12) **United States Design Patent**  
**Tschopp**

(10) **Patent No.:** **US D929,684 S**

(45) **Date of Patent:** **\*\* \*Aug. 31, 2021**

- (54) **PRESSURE WASHER**
- (71) Applicant: **BLACK & DECKER INC.**, New Britain, CT (US)
- (72) Inventor: **Tylan A. Tschopp**, Baltimore, MD (US)
- (73) Assignee: **BLACK & DECKER INC.**, New Britain, CT (US)
- (\*) Notice: This patent is subject to a terminal disclaimer.
- (\*\*) Term: **15 Years**
- (21) Appl. No.: **29/699,748**
- (22) Filed: **Jul. 29, 2019**
- (51) **LOC (13) Cl.** ..... **15-05**
- (52) **U.S. Cl.**  
USPC ..... **D32/16**
- (58) **Field of Classification Search**  
USPC ..... D32/15-16  
CPC ..... B05B 9/04; B05B 7/24  
See application file for complete search history.

D778,011 S *	1/2017	Alexander	.....	D32/16
D779,744 S *	2/2017	Weinberg	.....	D32/16
D779,745 S *	2/2017	Weinberg	.....	D32/16
D779,746 S *	2/2017	Weinberg	.....	D32/16
D804,750 S *	12/2017	Janik	.....	D32/16
D809,721 S *	2/2018	Venard	.....	D32/15
D834,269 S *	11/2018	Masters	.....	D32/15
D836,272 S *	12/2018	Janik	.....	D32/15
D839,512 S *	1/2019	Bearup	.....	D32/25
2007/0186813 A1 *	8/2007	Smith	.....	B05D 1/02 106/281.1

**FOREIGN PATENT DOCUMENTS**

WO WO D100224-001 \* 3/2020

\* cited by examiner

*Primary Examiner* — John R Yeh

(74) *Attorney, Agent, or Firm* — Adan Ayala

(57) **CLAIM**

The ornamental design for a pressure washer, as shown and described.

**DESCRIPTION**

FIG. 1 is a front perspective view of a pressure washer according to the invention.

FIG. 2 is a front view thereof.

FIG. 3 is a rear view thereof.

FIG. 4 is a right side view thereof.

FIG. 5 is a left side view thereof.

FIG. 6 is a top plan view thereof; and,

FIG. 7 is a bottom plan view thereof.

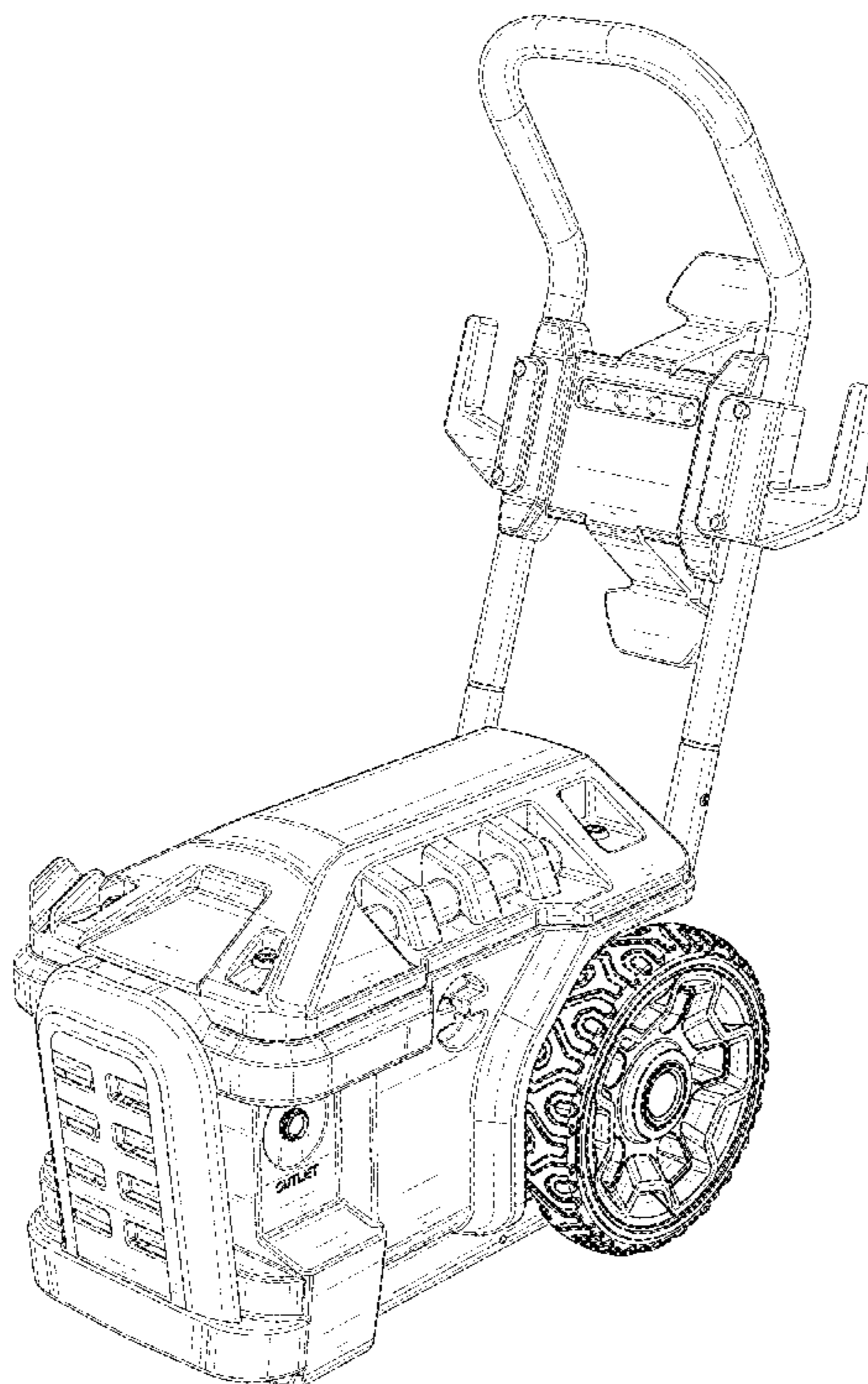
The broken lines illustrate portions of the pressure washer that form no part of the claimed design.

**1 Claim, 7 Drawing Sheets**

(56) **References Cited**

**U.S. PATENT DOCUMENTS**

D375,591 S *	11/1996	Fryoux	.....	D32/15
D463,888 S *	10/2002	Rehkugler	.....	B08B 3/026 D32/1
D499,848 S *	12/2004	Leasure	.....	D32/15
D529,670 S *	10/2006	Hendy	.....	D32/15
D531,767 S *	11/2006	Hastie	.....	D32/15
D532,942 S *	11/2006	Busschaert	.....	D32/15



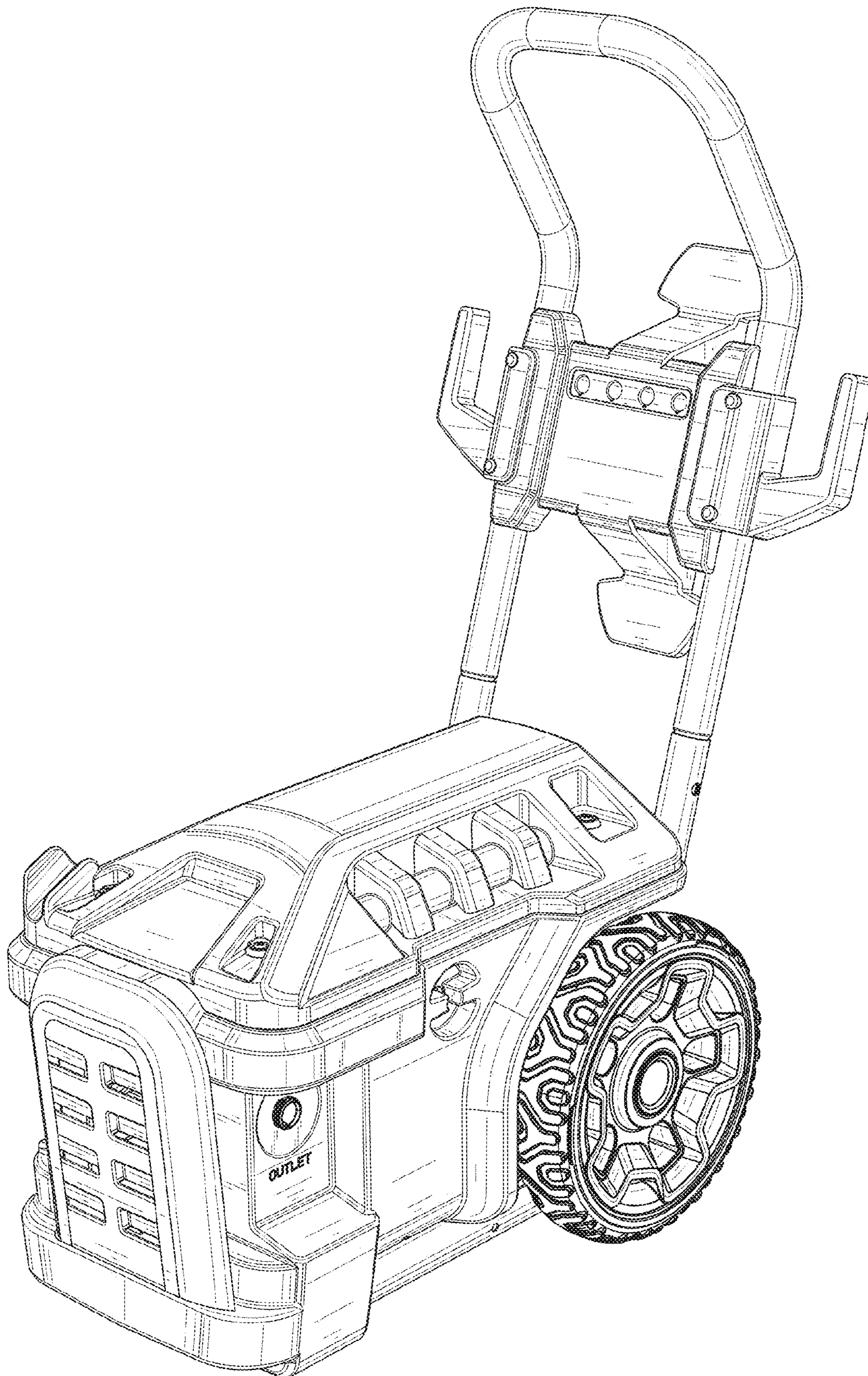


FIG. 1



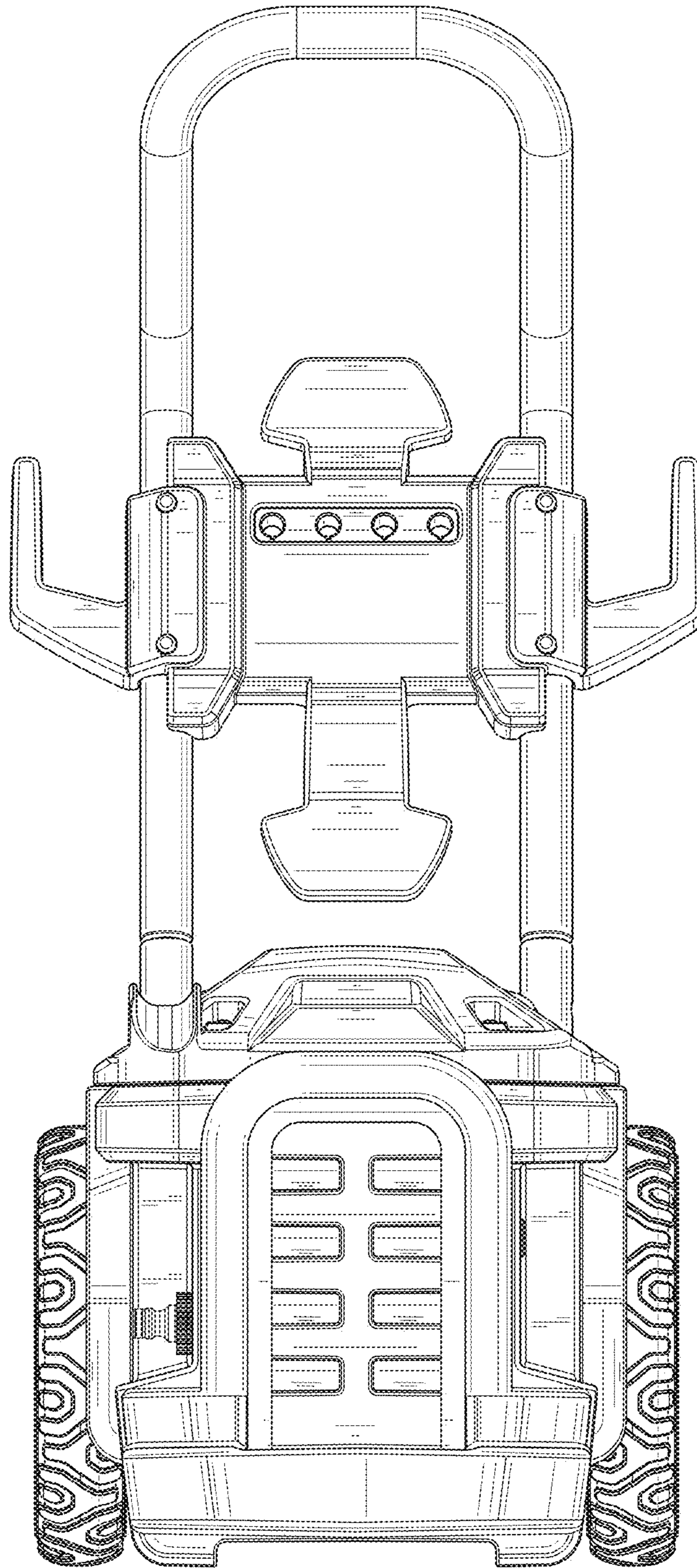


FIG. 2

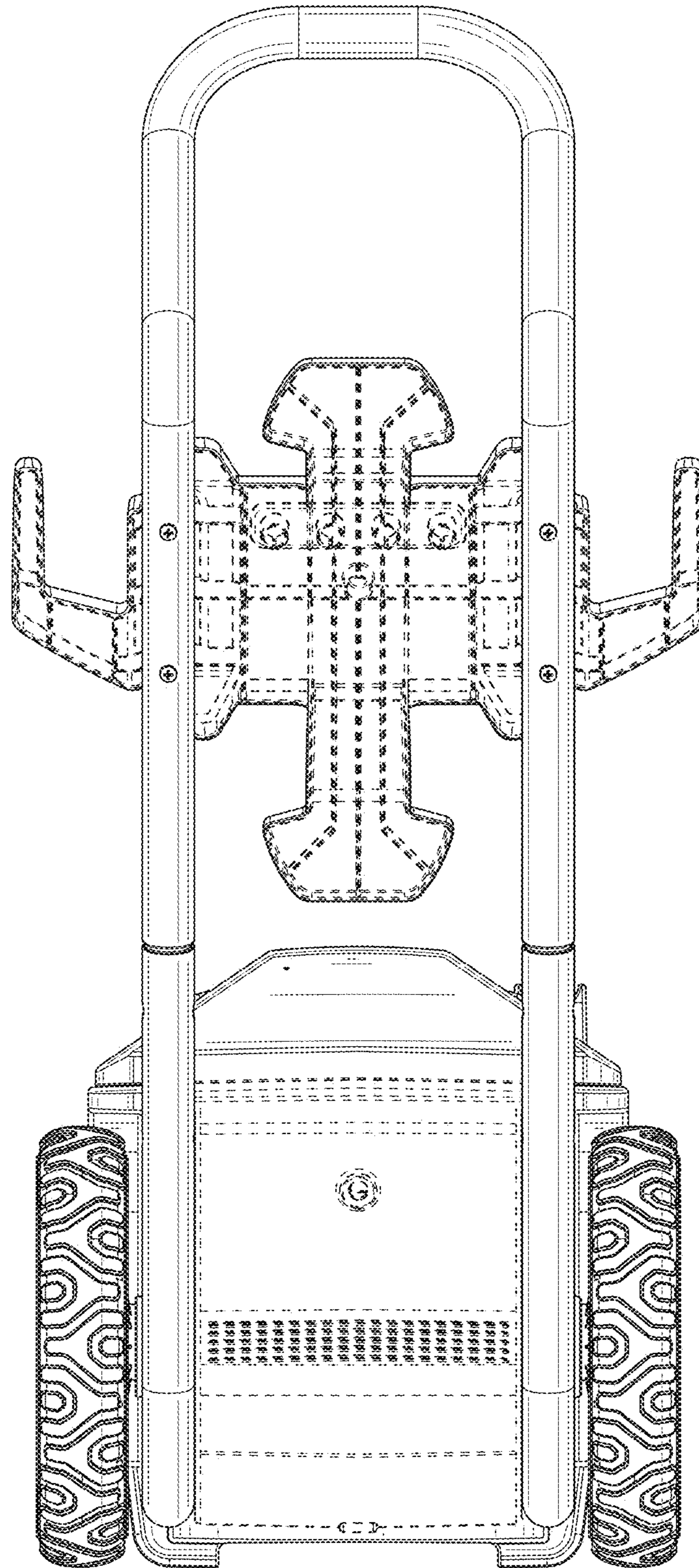


FIG. 3



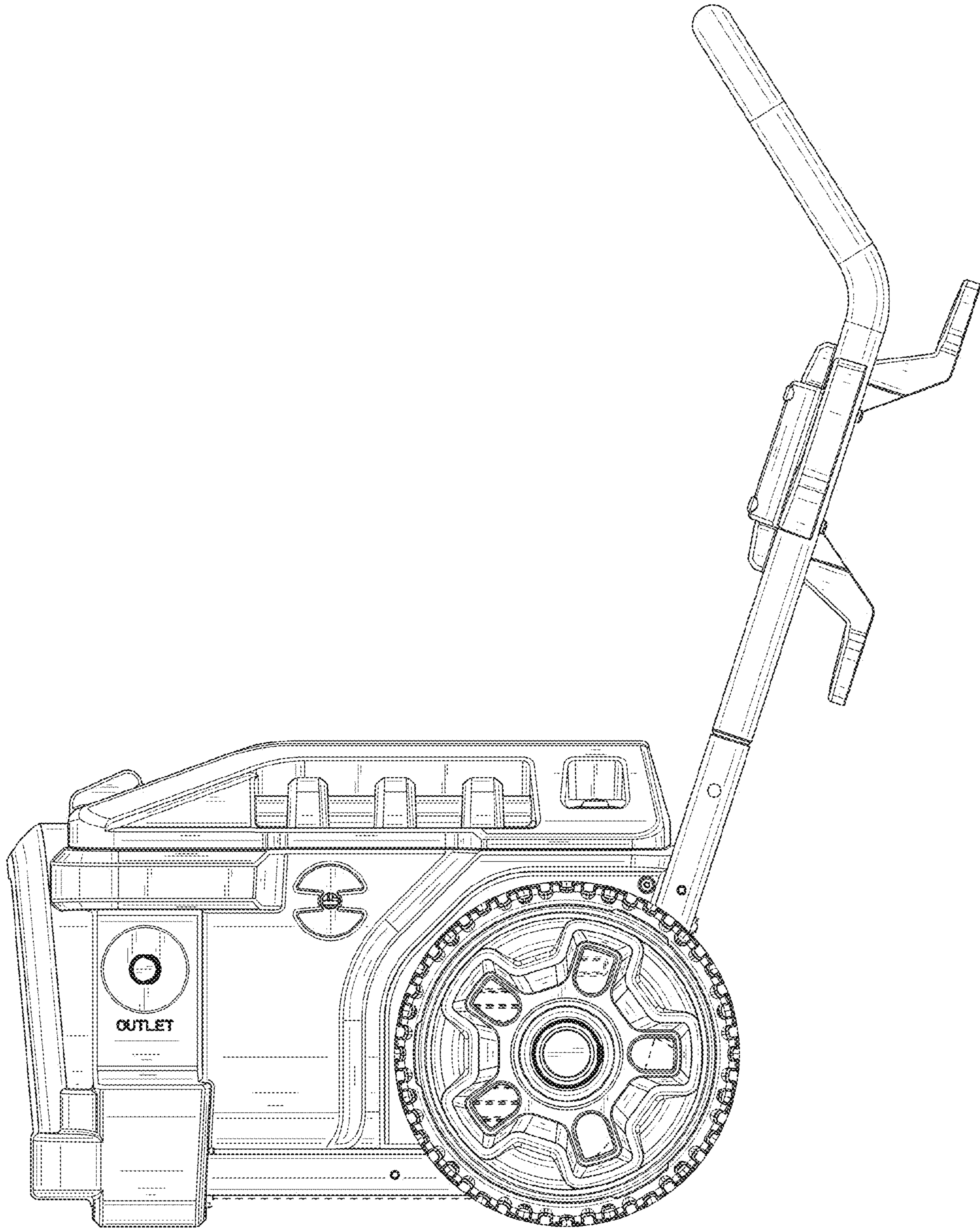


FIG. 4

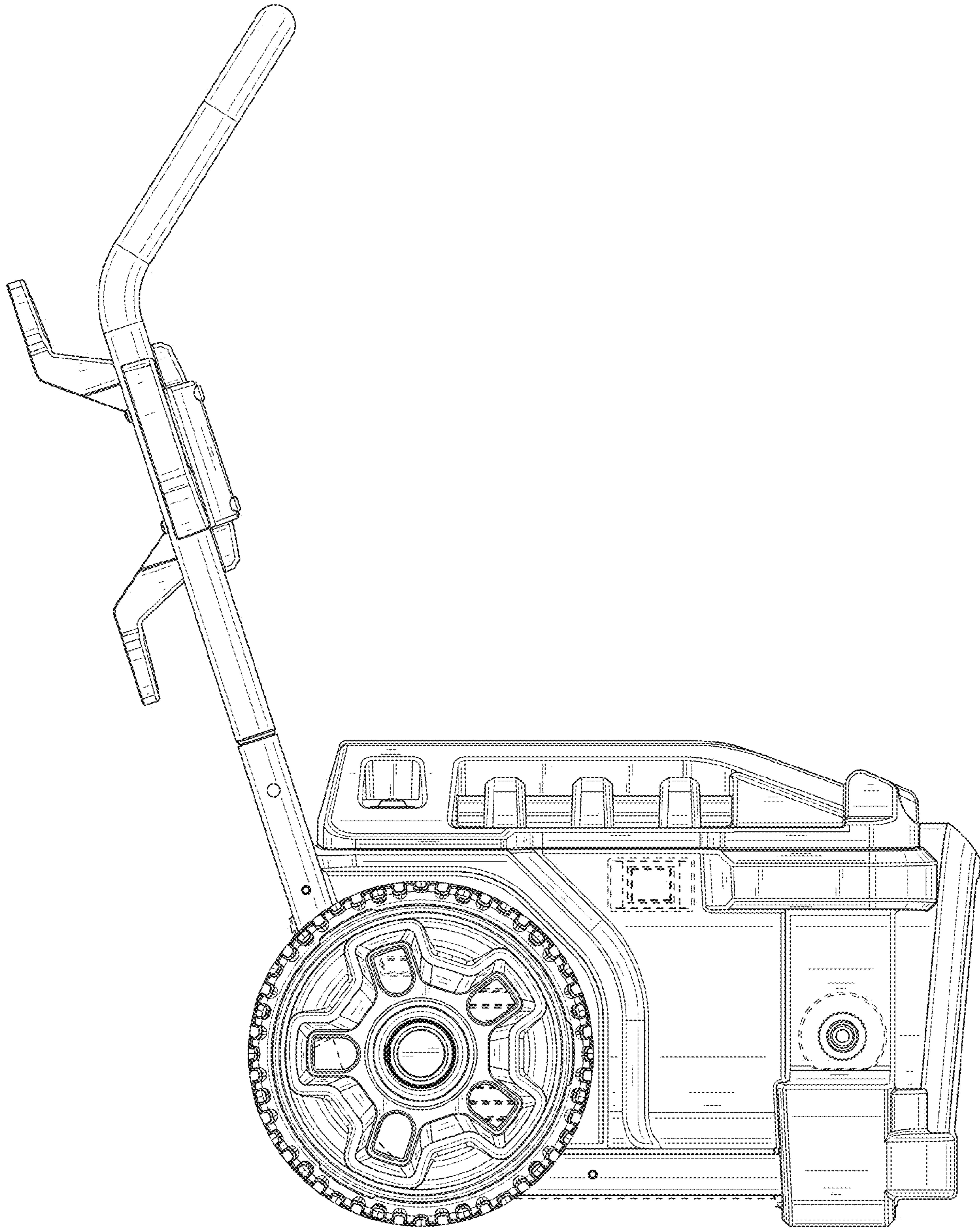


FIG. 5



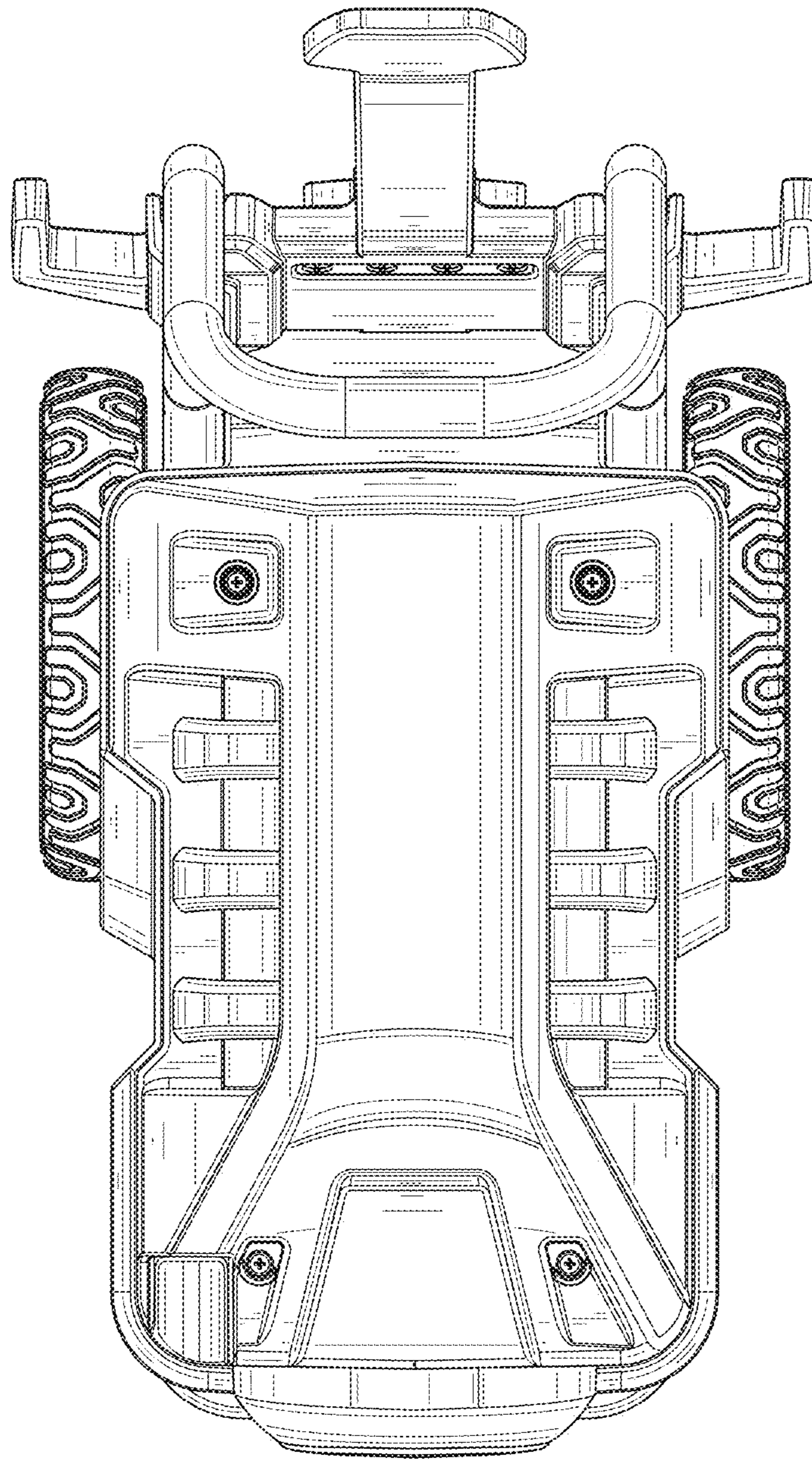


FIG. 6

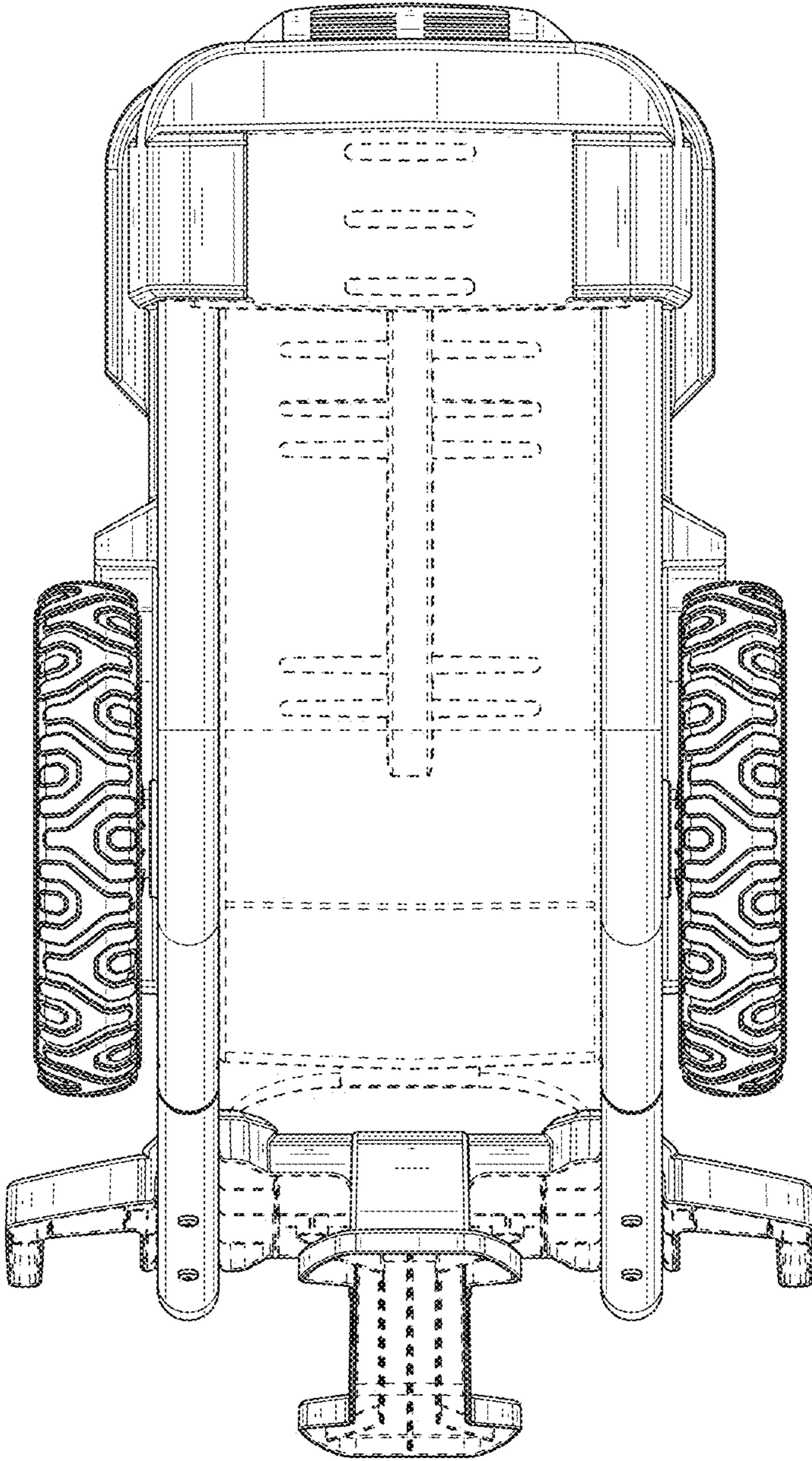


FIG. 7