



US00D929682S

(12) **United States Design Patent** (10) **Patent No.:** **US D929,682 S**
Li (45) **Date of Patent:** **** Aug. 31, 2021**

(54) **NO BARK COLLAR DEVICE**

(71) Applicant: **Shenzhen Patpet Technology CO., LTD**, Shenzhen (CN)

(72) Inventor: **Linxian Li**, Beijing (CN)

(**) Term: **15 Years**

(21) Appl. No.: **29/719,736**

(22) Filed: **Jan. 7, 2020**

(51) **LOC (13) Cl.** **30-99**

(52) **U.S. Cl.**
USPC **D30/199; D10/104.1**

(58) **Field of Classification Search**
USPC D30/151-155, 144, 199, 160;
119/792-798, 850, 855-859, 863-865,
119/654, 905, 907, 815, 712, 802, 784,
119/769, 760, 776, 862, 908, 860,
119/719-721; 242/381.1-381.2, 385.4,
242/378.3, 376.1, 385.1, 916, 601, 570,
242/405, 404, 371, 223, 170, 388.1,
242/405.2, 377, 381.3, 381.6, 405.3,
242/388.6, 384.7, 382, 396.1, 404.1, 380;
362/108; 33/767, 769, 414; D12/400;
D3/229, 230, 207, 208, 215; 40/1.5, 455,
40/640, 303; 206/63.3, 459.5, 702, 408;
D6/515; D8/358, 360, 347, 360.1, 359,
D8/356, DIG. 1; D24/145, 167, 186, 146,
D24/169; D10/57, 72, 106.1, 104.1,
D10/104.2, 109.2, 70, 97, 98, 78, 65;
D20/28; 224/666, 678; 16/445; 283/74,
283/70; D11/232, 200, 216, 1, 2, 86, 87,
D11/201, 206-210, 212-215, 218;
24/163 K, 122.3, 323, 702, 600.4-600.7,
24/163 R, 169-171, 173, 177-179, 191,
24/194, 195, 197, 200, 303, 616, 635,
24/313, 615, 3, 6, 3 K, 599.2, 96, 221,
24/237, 311, 312, 314, 321, 338, 339,
24/309; 428/3, 4; 54/76, 1, 71; 63/29.1,
63/3; 191/12.2 R, 12.4; D13/154, 153,

D13/137.4, 155, 103, 168; D19/69, 67;
379/438; 446/26; 473/576; D22/140;
174/135; 439/504, 13, 501; D34/33;
188/83, 82.1, 65.1; 254/134.3 FT;
D29/124; D2/627, 624, 633, 625;
132/145, 146, 148; 2/314; 59/79.1;
340/573.3, 573.1, 573, 573.4,
340/539.13-539.19; 343/895;
278/8 AES; 231/7; 361/232; D14/344,
D14/341, 137, 155, 496, 203.5, 203.3,
D14/144, 218, 188, 216, 192;
(Continued)

(56) **References Cited**

U.S. PATENT DOCUMENTS

4,612,719 A * 9/1986 de Jong A44B 11/12
40/658
4,669,424 A * 6/1987 Bianco A01K 27/009
119/650

(Continued)

Primary Examiner — Susan Moon Lee

(74) *Attorney, Agent, or Firm* — JiangIP LLC; Yanling Jiang

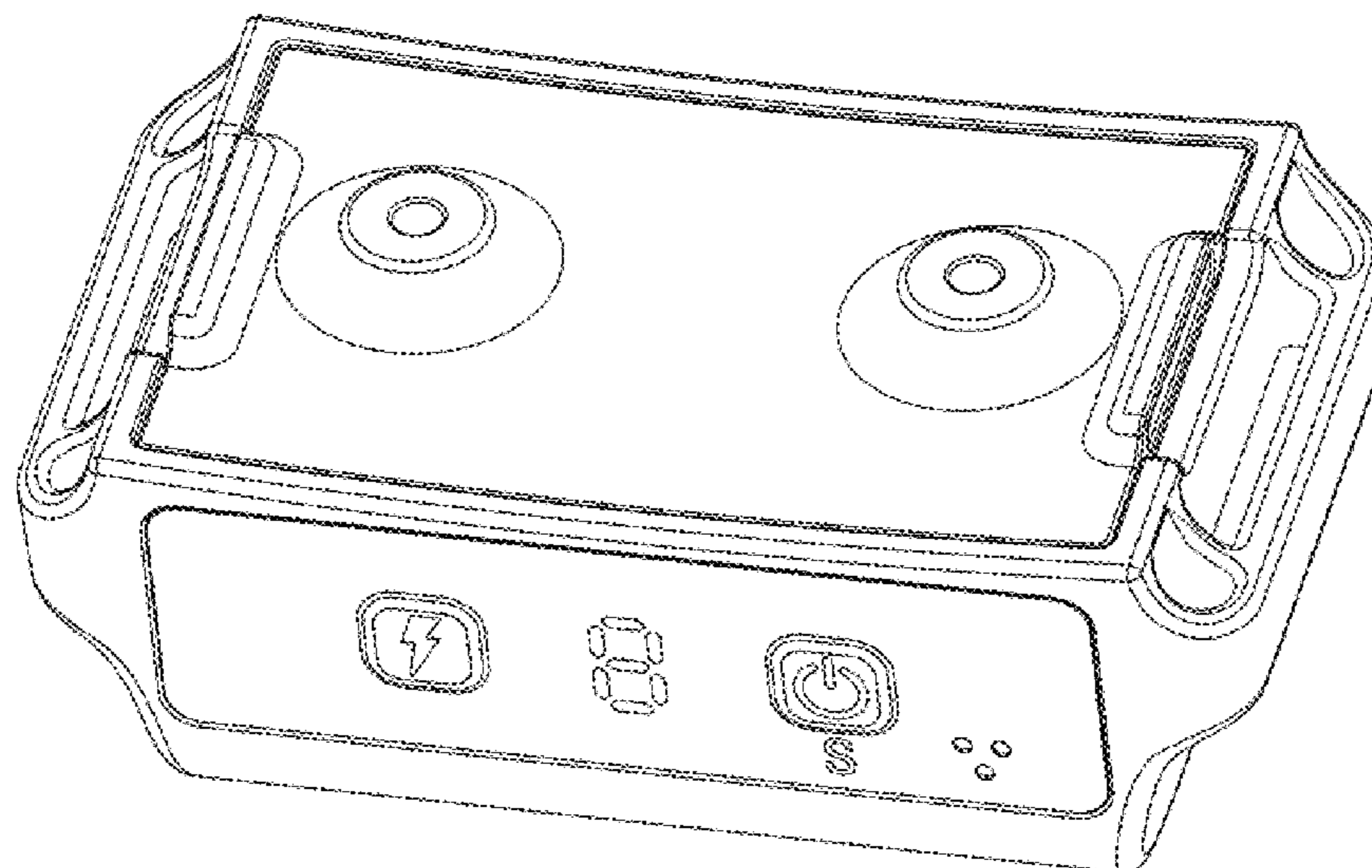
(57) **CLAIM**

I claim the ornamental design for a no bark collar device, as shown and described.

DESCRIPTION

FIG. 1 is a top right perspective view showing a no bark collar device in accordance with the present design;
FIG. 2 is a front elevation view thereof;
FIG. 3 is a rear elevation view thereof;
FIG. 4 is a top plan view thereof;
FIG. 5 is a bottom plan view thereof;
FIG. 6 is a side view thereof; and,
FIG. 7 is an opposite side view thereof.

1 Claim, 7 Drawing Sheets



(58) **Field of Classification Search**

USPC 342/357.51, 357.57, 357.52, 357.55;
455/100, 352, 456.1, 550.1; 315/291
CPC A01K 15/021; A01K 15/02; A01K 15/022;
A01K 15/023; A01K 15/029; A01K
15/04; A01K 15/00; A01K 15/006; A01K
12/022; A01K 27/009; A01K 27/00;
A01K 27/001; A01K 27/006-008; A01K
29/005; A01K 29/00; A61B 5/0002-0028;
A61B 5/681; A61B 5/6822; A61B
5/6824; A61B 5/6829; G01S 5/0294

See application file for complete search history.

(56) **References Cited**

U.S. PATENT DOCUMENTS

- 5,046,453 A * 9/1991 Vinci A01K 15/022
119/718
5,640,932 A * 6/1997 Bianco A01K 15/023
119/720
D380,692 S * 7/1997 Heun D30/152
D385,855 S * 11/1997 Ronzani D14/344
D387,898 S * 12/1997 Ronzani D3/215
D400,458 S * 11/1998 Titus D10/104.1
D410,206 S * 5/1999 Slater D10/104.1
D428,218 S * 7/2000 Dehart D30/152
D478,830 S * 8/2003 So D30/152
6,712,025 B2 * 3/2004 Peterson A01K 15/023
119/721
D520,894 S * 5/2006 Zakharyan D30/199
D523,369 S * 6/2006 Jacober D11/3
D526,590 S * 8/2006 So D10/104.1
D541,689 S * 5/2007 Meyers D10/118
D545,220 S * 6/2007 Leung D10/31
D553,037 S * 10/2007 Zakharyan D30/152
D557,624 S * 12/2007 Coster D10/70
7,382,328 B2 * 6/2008 Lee, IV H01Q 1/44
343/718
D582,394 S * 12/2008 Hong D14/216
D587,614 S * 3/2009 Schwanitz D10/106.1
7,552,699 B2 * 6/2009 Moore A01K 15/021
119/719
D618,999 S * 7/2010 Akana D9/430
D631,552 S * 1/2011 Kasabach D24/186
D632,853 S * 2/2011 Hardi D30/155
D637,365 S * 5/2011 Li D30/155
7,996,983 B2 * 8/2011 Lee, IV A01K 27/009
29/592.1
D657,098 S * 4/2012 So D30/152
D661,846 S * 6/2012 Miller D30/152
D665,280 S * 8/2012 Petrillo D10/50
D666,367 S * 8/2012 Miller D30/152
D673,334 S * 12/2012 Guo D30/152
D673,473 S * 1/2013 Hogg D10/104.1
D674,808 S * 1/2013 Axelrod D14/480.3
8,345,414 B2 * 1/2013 Mooring G04G 17/045
361/679.21
D683,915 S * 6/2013 So D30/199
D688,968 S * 9/2013 Guerrero, II D11/3
D699,758 S * 2/2014 Lavin D14/496
D703,740 S * 4/2014 Sherwin D19/9
D706,159 S * 6/2014 Ma D11/3
D706,500 S * 6/2014 Hu D30/199
D709,047 S * 7/2014 Jennings D14/167
D710,228 S * 8/2014 Burke D10/104.1
D710,229 S * 8/2014 Burke D10/104.1
8,803,692 B2 * 8/2014 Goetzl A01K 15/021
340/573.3
D715,675 S * 10/2014 Ma D11/3
D726,052 S * 4/2015 Henning D10/98
D734,900 S * 7/2015 Pulliam D30/152
D738,748 S * 9/2015 Bibl D10/32
D740,150 S * 10/2015 Howsam D11/3
D742,817 S * 11/2015 Lammers-Meis D13/103
D745,229 S * 12/2015 Pulliam D30/199
D746,477 S * 12/2015 Cha D24/186
D749,005 S * 2/2016 Bruce D10/104.1
D756,826 S * 5/2016 Smith D10/104.1
9,332,812 B2 * 5/2016 Ma A01K 27/006
D759,324 S * 6/2016 Pulliam D30/199
D761,499 S * 7/2016 Pulliam D30/199
D762,333 S * 7/2016 Pulliam D30/199
D762,375 S * 8/2016 Duarte D3/218
D778,184 S * 2/2017 Kikstra D10/70
D778,445 S * 2/2017 Cadio D24/169
D788,999 S * 6/2017 Zinn D30/152
D794,261 S * 8/2017 Pulliam D30/152
D798,003 S * 9/2017 Dong D30/199
D801,538 S * 10/2017 Rondoni D24/186
D803,709 S * 11/2017 Le Bihan D10/70
D804,335 S * 12/2017 Bihan D10/70
D805,413 S * 12/2017 Chen D10/70
D805,482 S * 12/2017 McRoberts D13/168
D806,880 S * 1/2018 Henning D24/186
9,861,080 B1 * 1/2018 Hathway A01K 11/008
D810,603 S * 2/2018 Davis D11/4
D811,016 S * 2/2018 Liu D30/152
D812,499 S * 3/2018 Kuh D10/70
D813,229 S * 3/2018 Ling D14/344
D816,058 S * 4/2018 Zeng D14/155
D817,557 S * 5/2018 Liu D30/152
D822,516 S * 7/2018 Van Curen D10/104.1
D822,921 S * 7/2018 Wen D30/199
D824,899 S * 8/2018 Yang D14/344
D826,763 S * 8/2018 Chuang D11/3
D828,965 S * 9/2018 Wen D30/199
D829,120 S * 9/2018 Mitchell D10/104.1
D834,769 S * 11/2018 Wen D30/199
D835,364 S * 12/2018 Lee D30/199
D835,533 S * 12/2018 Zheng D10/70
D836,858 S * 12/2018 Zinn D30/199
10,154,651 B2 * 12/2018 Goetzl A01K 15/022
D838,194 S * 1/2019 Mays D10/70
D840,043 S * 2/2019 Li D24/186
D846,817 S * 4/2019 Li D30/152
D848,875 S * 5/2019 Wildner D10/70
D850,732 S * 6/2019 Dong D30/152
D850,733 S * 6/2019 Dong D30/152
D851,339 S * 6/2019 Solinsky D30/152
D853,666 S * 7/2019 Ni D30/199
D854,011 S * 7/2019 Ciprian D14/358
D857,011 S * 8/2019 Kang D14/344
D858,904 S * 9/2019 Zinn D30/152
D860,006 S * 9/2019 Cotnoir D10/32
D860,989 S * 9/2019 Choplin D14/344
D861,259 S * 9/2019 Dong D30/152
D862,277 S * 10/2019 Ling D11/3
D862,460 S * 10/2019 Zhang D14/344
D862,461 S * 10/2019 Zhang D14/344
D863,297 S * 10/2019 Ke D14/344
D865,546 S * 11/2019 Kellock D10/70
D865,761 S * 11/2019 Choplin D14/344
D870,399 S * 12/2019 Van Curen D30/152
D872,383 S * 1/2020 Darnell D30/152
D874,968 S * 2/2020 Weng D10/128
D879,390 S * 3/2020 Cai D30/199
D880,082 S * 3/2020 Zinn D30/152
D881,874 S * 4/2020 Sobol D14/344
D884,695 S * 5/2020 Jones D14/344
D884,994 S * 5/2020 Ni D30/199
D888,353 S * 6/2020 Lan D30/199
D889,449 S * 7/2020 Abellera D14/242
D890,456 S * 7/2020 Dai D30/199
D891,286 S * 7/2020 Worth D11/3
D899,012 S * 10/2020 Zinn D30/152
D900,811 S * 11/2020 Sobol D14/344
D902,203 S * 11/2020 Choplin D14/344
D903,663 S * 12/2020 Jones D14/344
D903,664 S * 12/2020 Riot D14/344
D906,845 S * 1/2021 Larsen D10/46
D907,358 S * 1/2021 Levy D3/205
D909,369 S * 2/2021 Wu D14/344
D909,745 S * 2/2021 Dastmalchi D3/205
D910,306 S * 2/2021 Chui D3/205

(56)

References Cited

U.S. PATENT DOCUMENTS

D912,666 S * 3/2021 Bournique D14/344
 D915,690 S * 4/2021 Younani D30/155
 D915,859 S * 4/2021 Washburn D8/91
 D917,439 S * 4/2021 Mochizuki D14/240
 D919,201 S * 5/2021 Wang D30/199
 2002/0050250 A1 * 5/2002 Peterson A01K 15/023
 119/721
 2003/0122678 A1 * 7/2003 Duncan A01K 29/005
 340/573.3
 2004/0162875 A1 * 8/2004 Brown G08B 5/223
 709/203
 2005/0059909 A1 * 3/2005 Burgess A61F 7/007
 601/15
 2005/0145200 A1 * 7/2005 Napolez A01K 15/022
 119/718
 2005/0211187 A1 * 9/2005 Harman A01K 15/023
 119/721
 2005/0235924 A1 * 10/2005 Lee, IV A01K 15/022
 119/718
 2005/0242137 A1 * 11/2005 Fishman A01K 27/006
 224/221
 2006/0207520 A1 * 9/2006 Moore A01K 27/009
 119/720
 2007/0209604 A1 * 9/2007 Groh A01K 27/009
 119/858
 2007/0221138 A1 * 9/2007 Mainini A01K 27/009
 119/720
 2007/0227465 A1 * 10/2007 Gerig A01K 15/021
 119/859
 2008/0114220 A1 * 5/2008 Banet A61B 5/6833
 600/301
 2009/0289844 A1 * 11/2009 Palsgrave A01K 15/021
 342/357.55

2010/0238033 A1 * 9/2010 Blumel A61B 5/681
 340/573.4
 2011/0061605 A1 * 3/2011 Hardi A01K 15/021
 119/721
 2011/0232585 A1 * 9/2011 Rich G01S 5/14
 119/721
 2012/0160182 A1 * 6/2012 So A01K 15/021
 119/720
 2012/0160183 A1 * 6/2012 So A01K 15/021
 119/720
 2013/0027207 A1 * 1/2013 Goetzl H01Q 1/40
 340/573.3
 2013/0112153 A1 * 5/2013 So A01K 15/021
 119/720
 2013/0180467 A1 * 7/2013 Wong A01K 15/022
 119/718
 2013/0233252 A1 * 9/2013 Bellon A01K 15/029
 119/720
 2014/0261233 A1 * 9/2014 So A01K 27/009
 119/720
 2014/0320347 A1 * 10/2014 Rochelle A01K 15/023
 342/385
 2015/0033794 A1 * 2/2015 Ma A01K 27/006
 63/1.13
 2015/0040839 A1 * 2/2015 Goetzl A01K 27/009
 119/720
 2016/0192623 A1 * 7/2016 Rich A01K 29/005
 119/721
 2016/0242387 A1 * 8/2016 Ecker H04N 7/185
 2017/0340210 A1 * 11/2017 Chuang A61B 5/681
 2017/0360003 A1 * 12/2017 So A01K 15/021
 2018/0132450 A1 * 5/2018 Goetzl A01K 15/021
 2018/0153137 A1 * 6/2018 Goetzl A01K 15/023
 2018/0153138 A1 * 6/2018 Goetzl A01K 15/029
 2019/0090761 A1 * 3/2019 Sawanoi A61B 5/02225
 2020/0015456 A1 * 1/2020 Van Curen A01K 27/009
 2020/0146625 A1 * 5/2020 Nousiainen A61B 5/02055

* cited by examiner

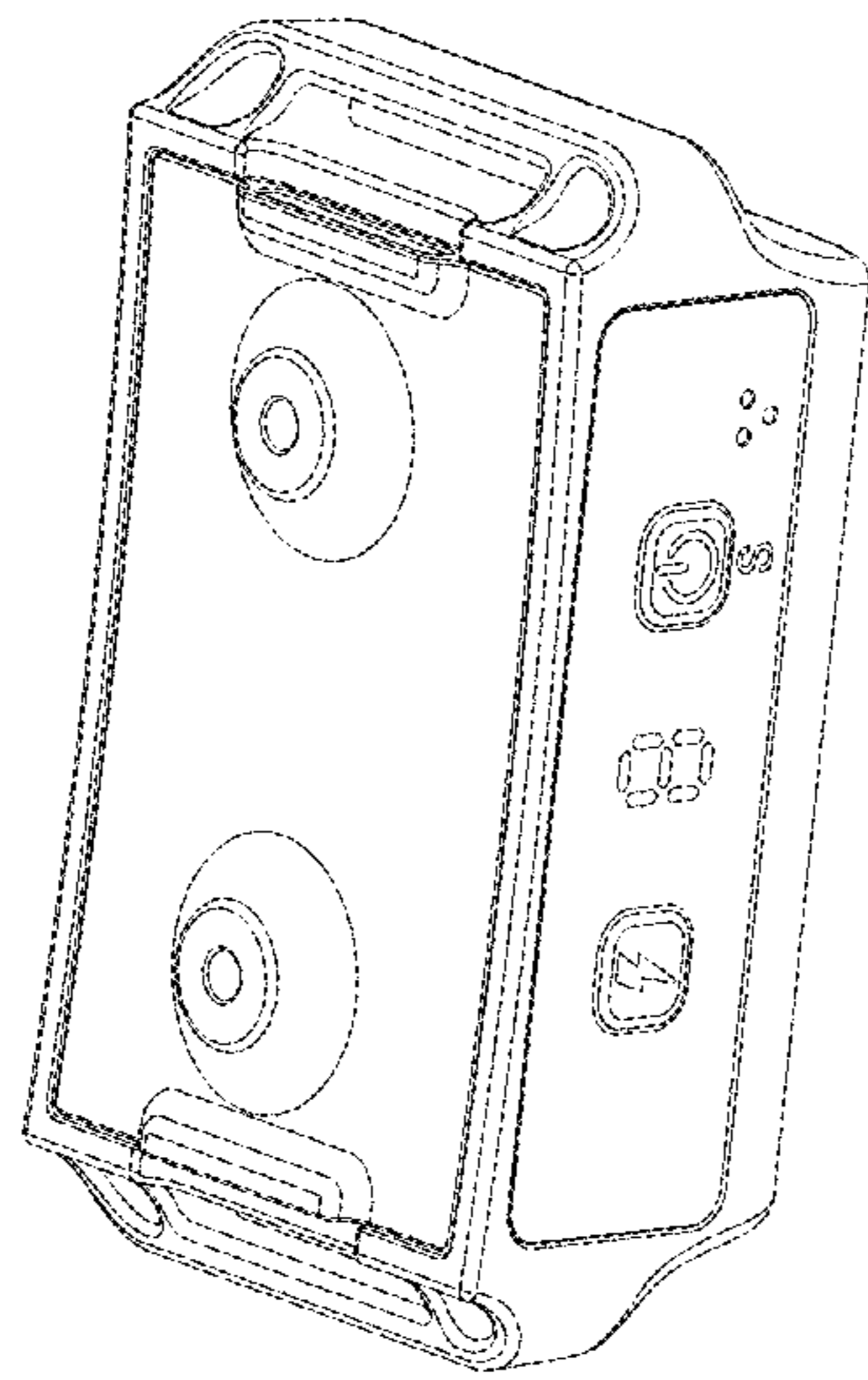


Fig. 1

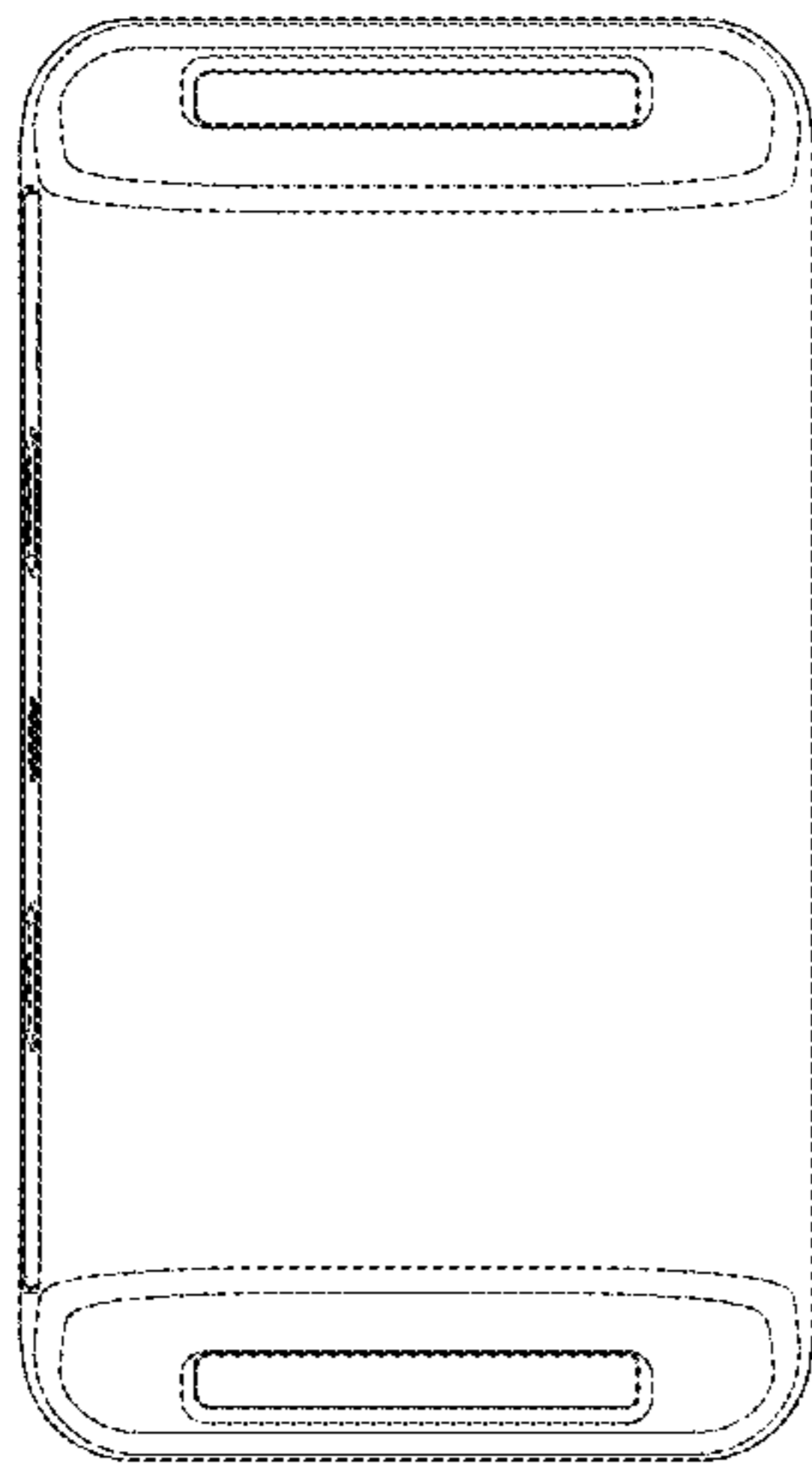


Fig. 2

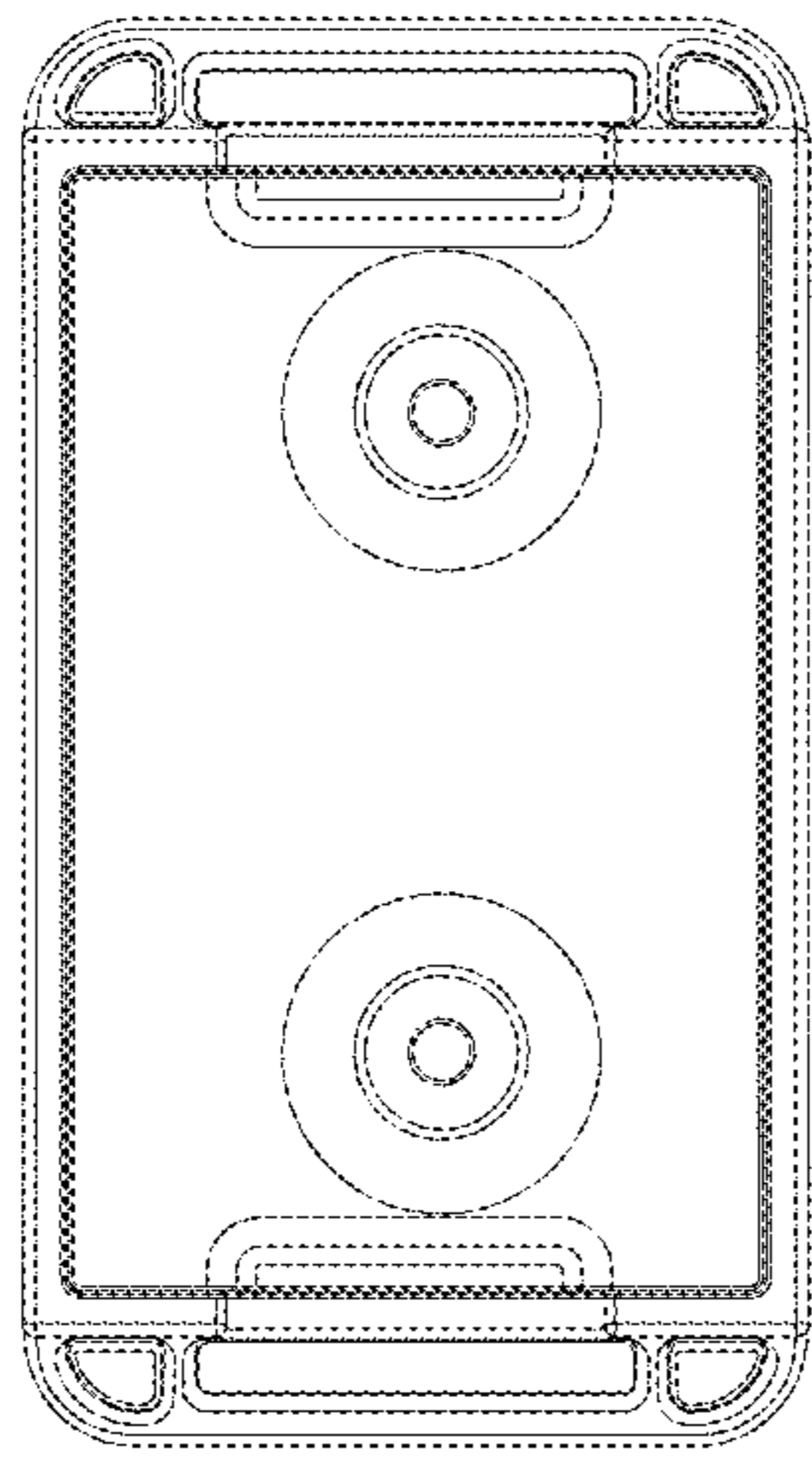


Fig. 3

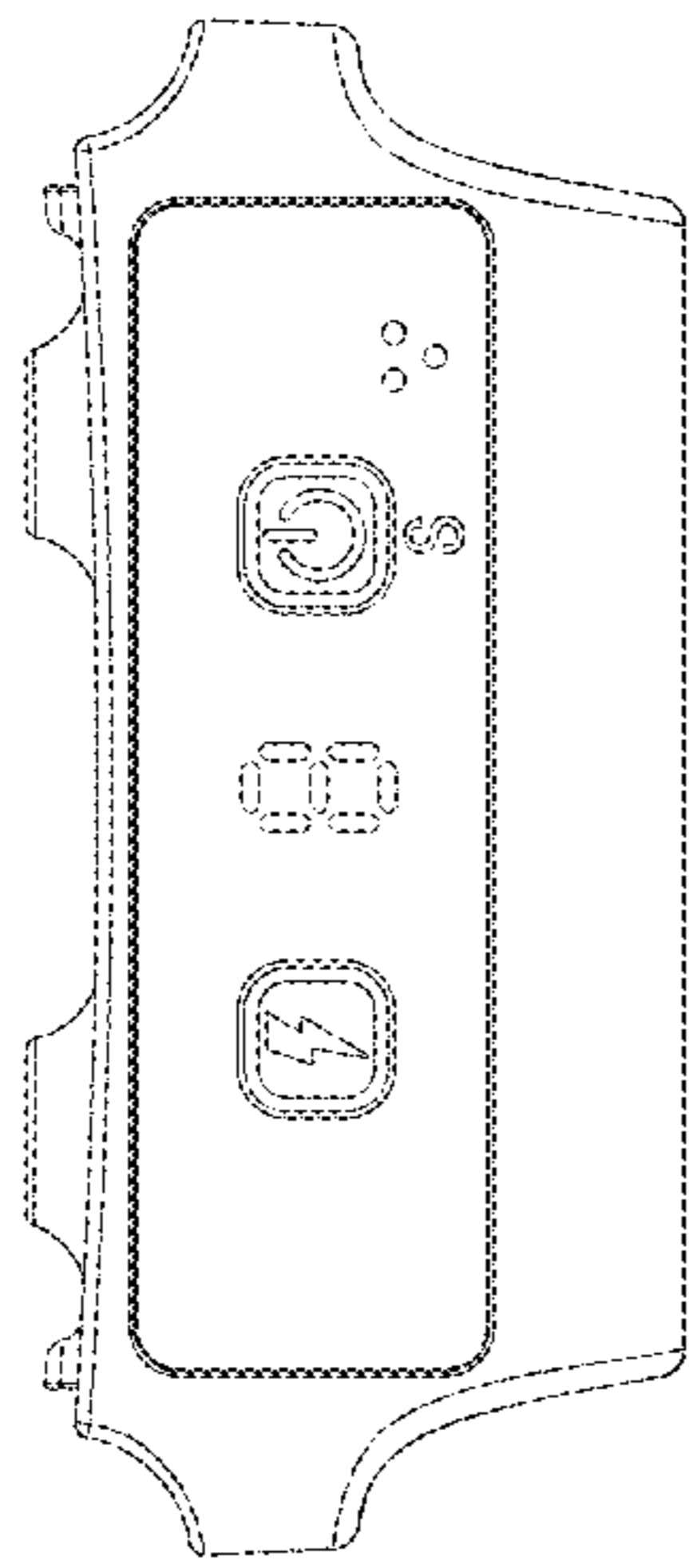


Fig. 4

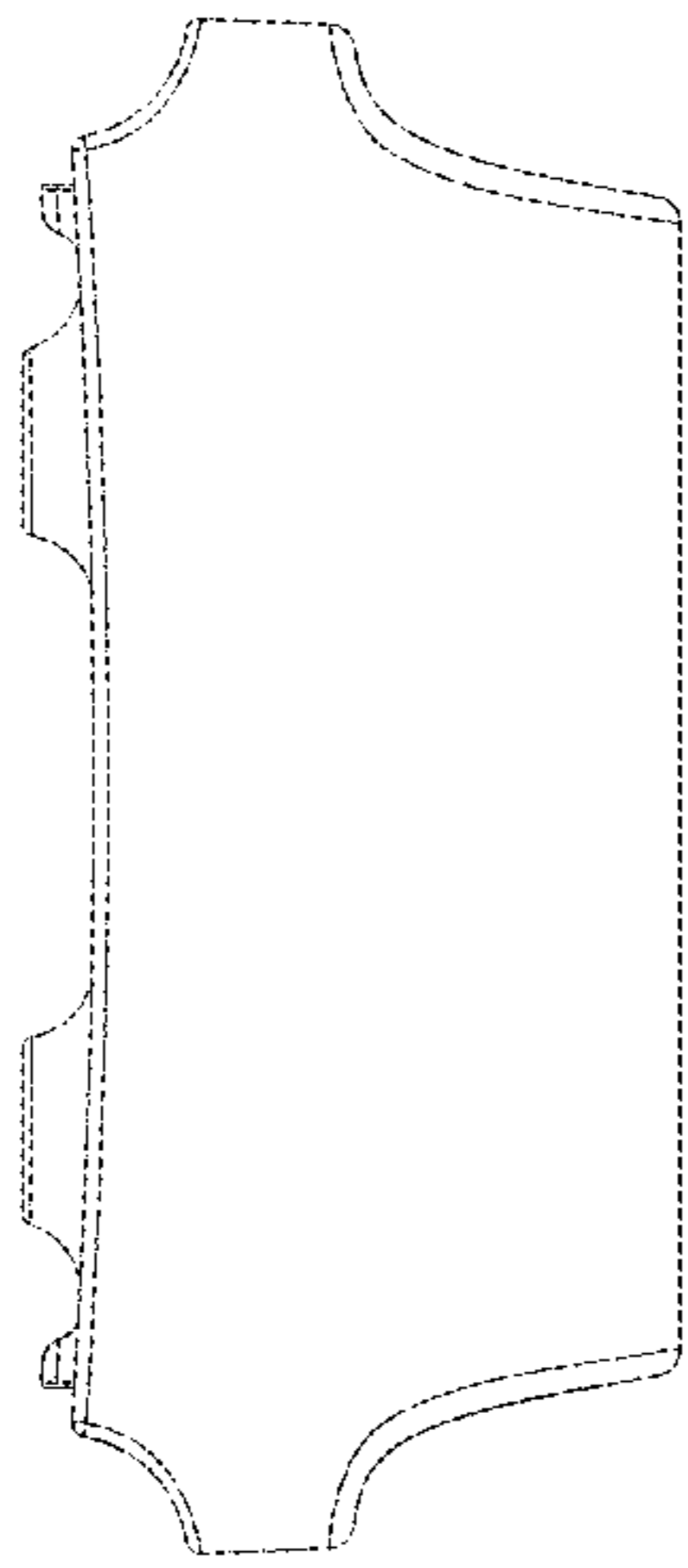


Fig. 5

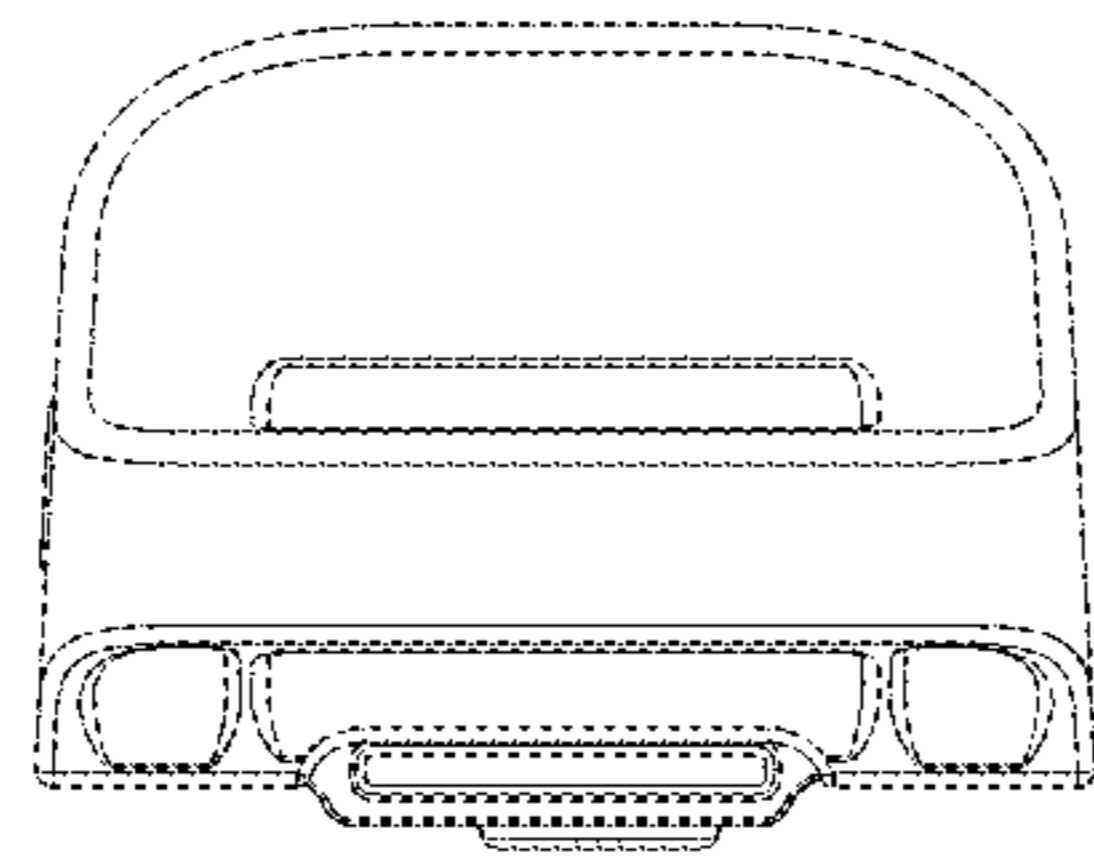


Fig. 6

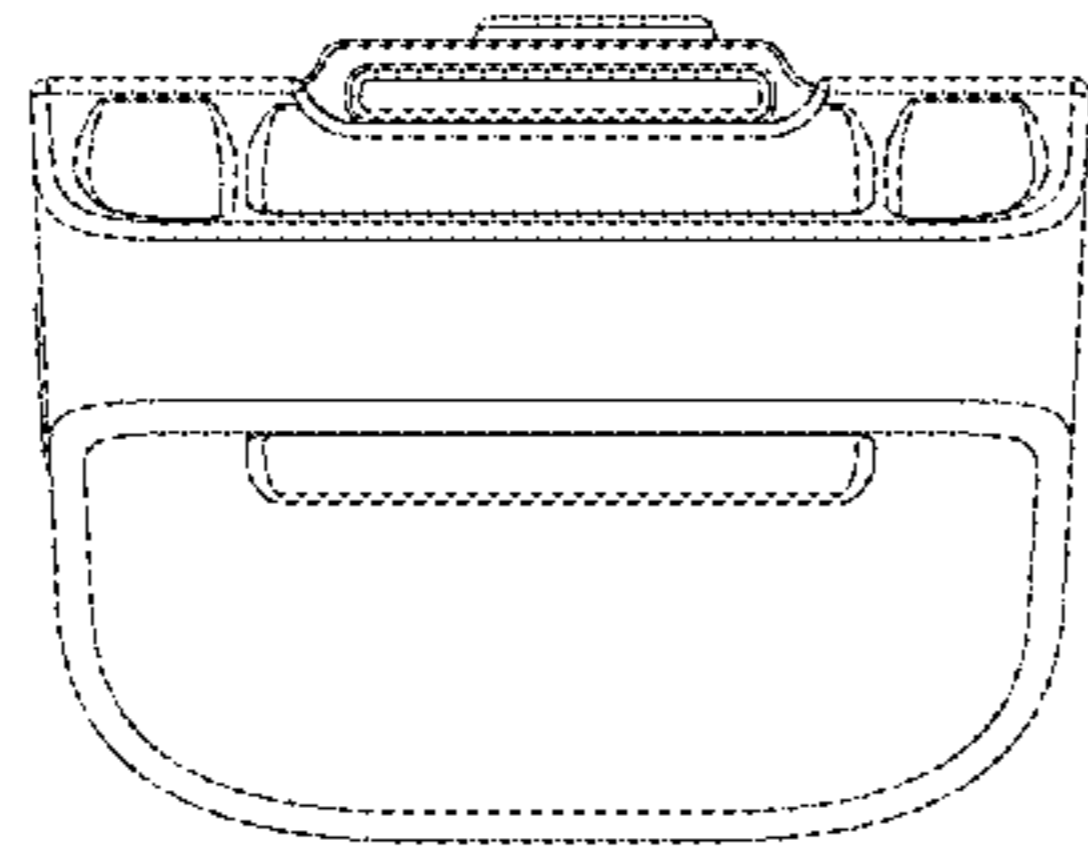


Fig. 7