



US00D929680S

(12) **United States Design Patent** (10) **Patent No.:** **US D929,680 S**  
**Baker** (45) **Date of Patent:** **\*\* Aug. 31, 2021**

(54) **PET SHELTER**

(71) Applicant: **Chuck Anthony Baker**, Smyrna, TN (US)

(72) Inventor: **Chuck Anthony Baker**, Smyrna, TN (US)

(\*\*) Term: **15 Years**

(21) Appl. No.: **29/643,825**

(22) Filed: **Apr. 12, 2018**

(51) **LOC (13) Cl.** ..... **30-99**

(52) **U.S. Cl.**  
USPC ..... **D30/161**

(58) **Field of Classification Search**  
USPC ..... D30/158-161, 108, 109, 112, 118;  
D3/304; D9/430  
CPC ..... A01K 11/02; A01K 11/06; A01K 1/00;  
A01K 1/02; A01K 1/03; A01K 1/033;  
A01K 1/034; A01K 1/035; A01K 1/0245;  
A01K 1/011; A01K 1/0107; A01K  
1/0125; A01K 1/0121; A01K 13/00;  
A01K 13/06; A01K 13/14; A01K 29/00  
See application file for complete search history.

(56) **References Cited**

**U.S. PATENT DOCUMENTS**

D373,663 S \* 9/1996 Walter ..... D30/161  
D463,887 S \* 10/2002 Walter ..... D30/161

D479,634 S \* 9/2003 Tuthill ..... D30/160  
D890,442 S \* 7/2020 Watson ..... D30/119  
2006/0185606 A1\* 8/2006 Park ..... A01K 5/0291  
119/51.12  
2019/0297834 A1\* 10/2019 Baker ..... A01K 1/0041

\* cited by examiner

*Primary Examiner* — Aula Soroush

(74) *Attorney, Agent, or Firm* — Dunlap Bennett & Ludwig, PLLC

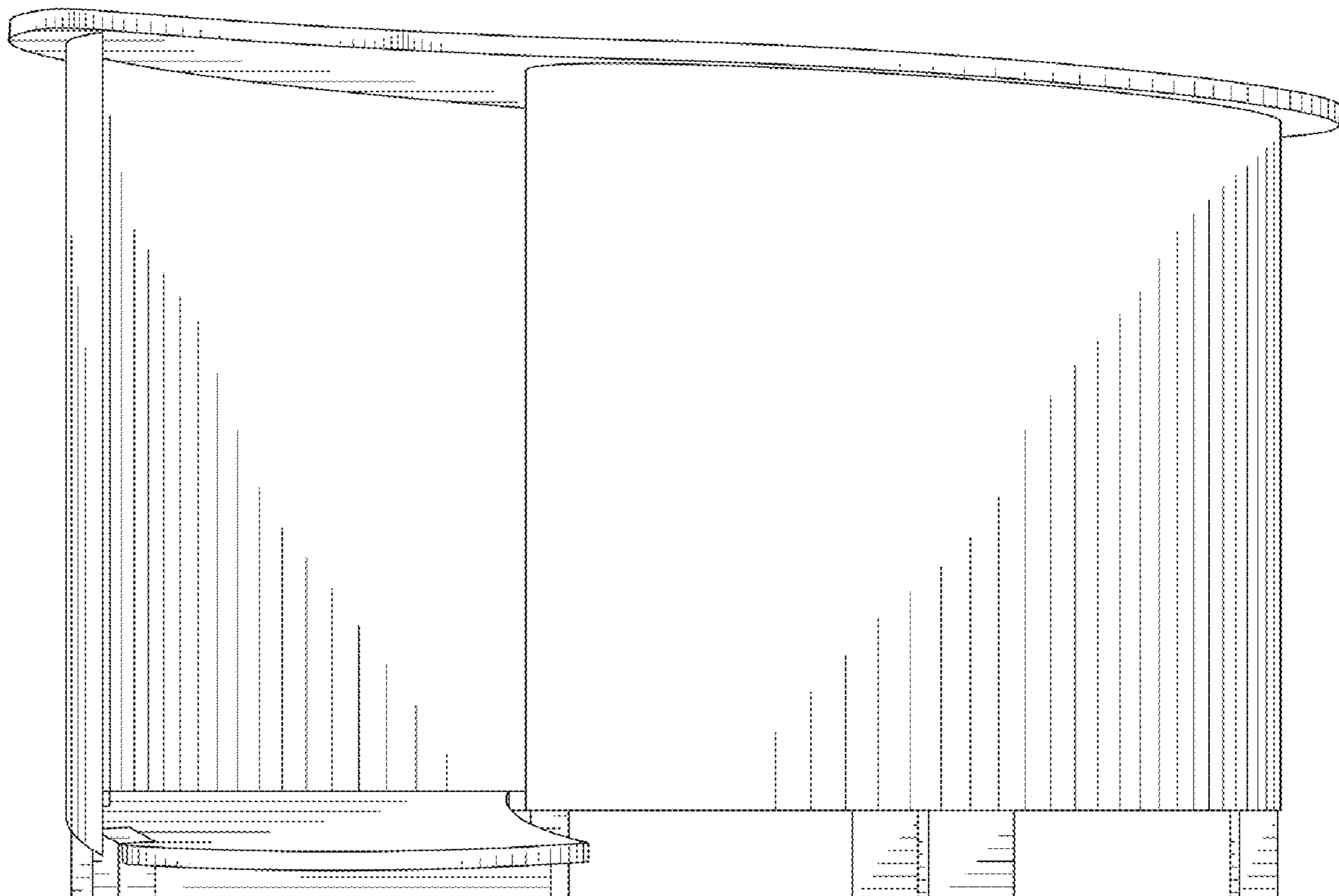
(57) **CLAIM**

The ornamental design for a pet shelter, as shown and described.

**DESCRIPTION**

FIG. 1 is a front elevation view of a pet shelter;  
FIG. 2 is a left side elevation view thereof;  
FIG. 3 is a rear elevation view thereof;  
FIG. 4 is a right side elevation view thereof;  
FIG. 5 is a top elevation view thereof;  
FIG. 6 is a bottom elevation view thereof;  
FIG. 7 is a front left side perspective view thereof;  
FIG. 8 is a rear left side perspective view thereof;  
FIG. 9 is a rear right side perspective view thereof; and,  
FIG. 10 is a front right side perspective view thereof.

**1 Claim, 5 Drawing Sheets**





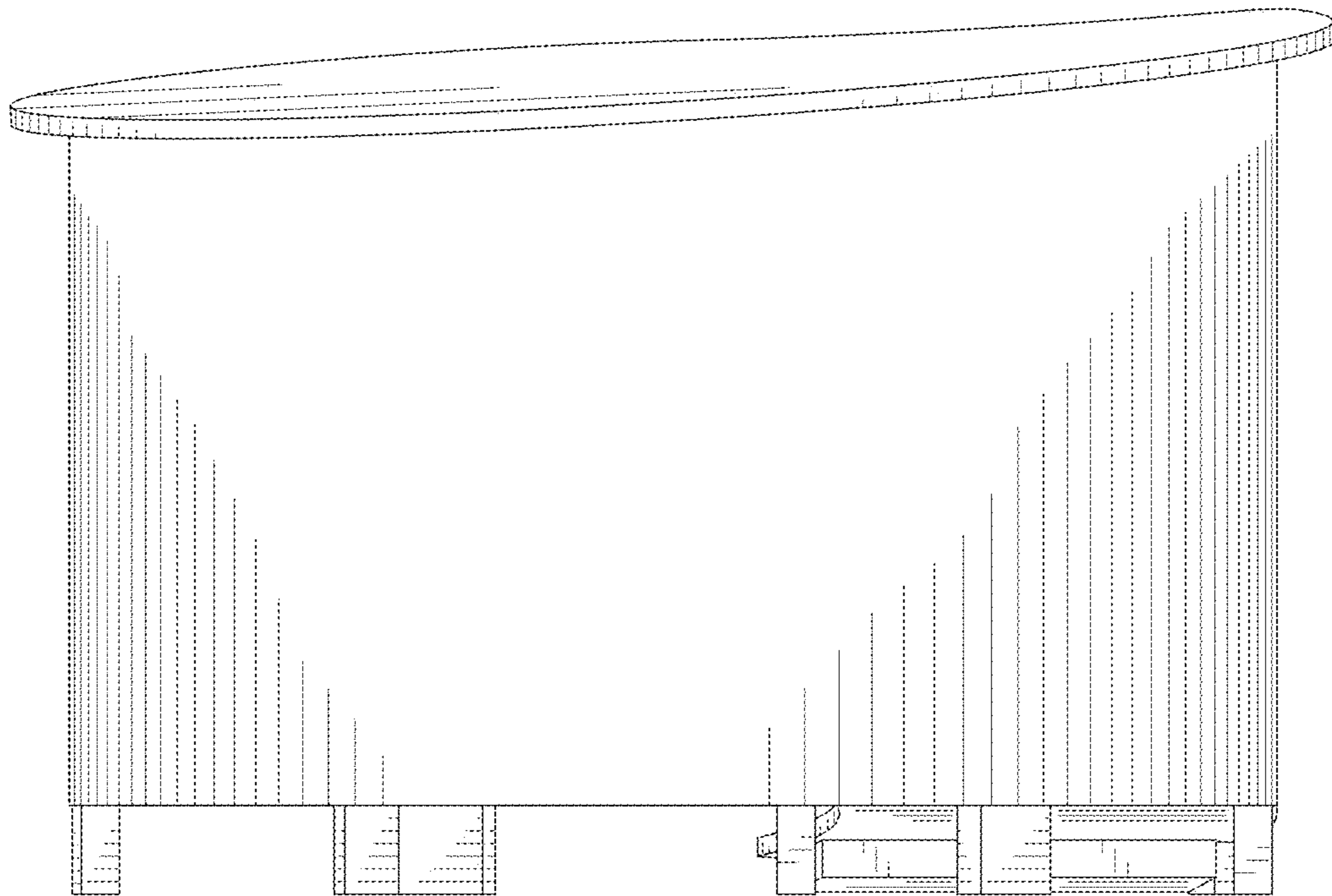


FIG. 3

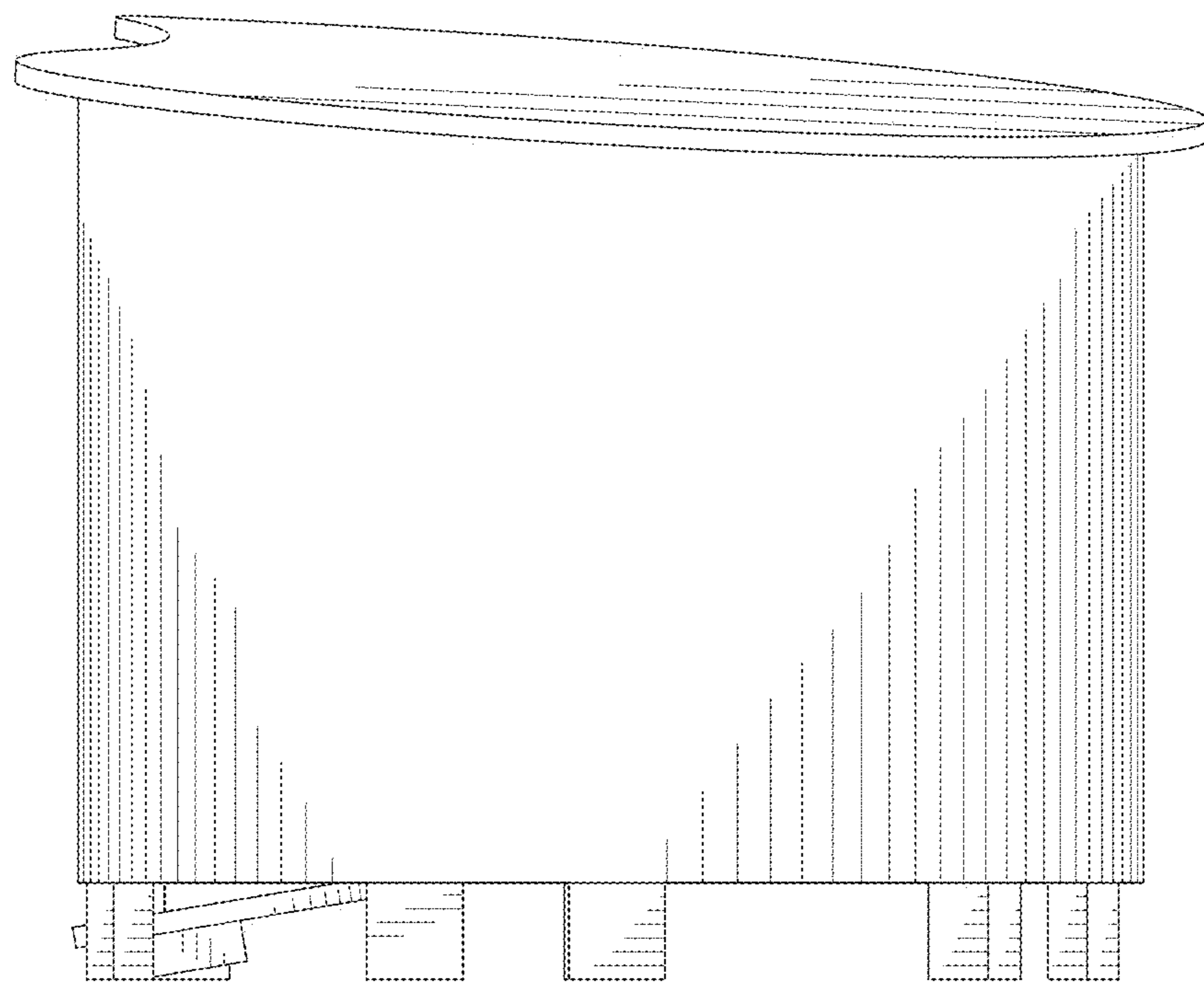


FIG. 4



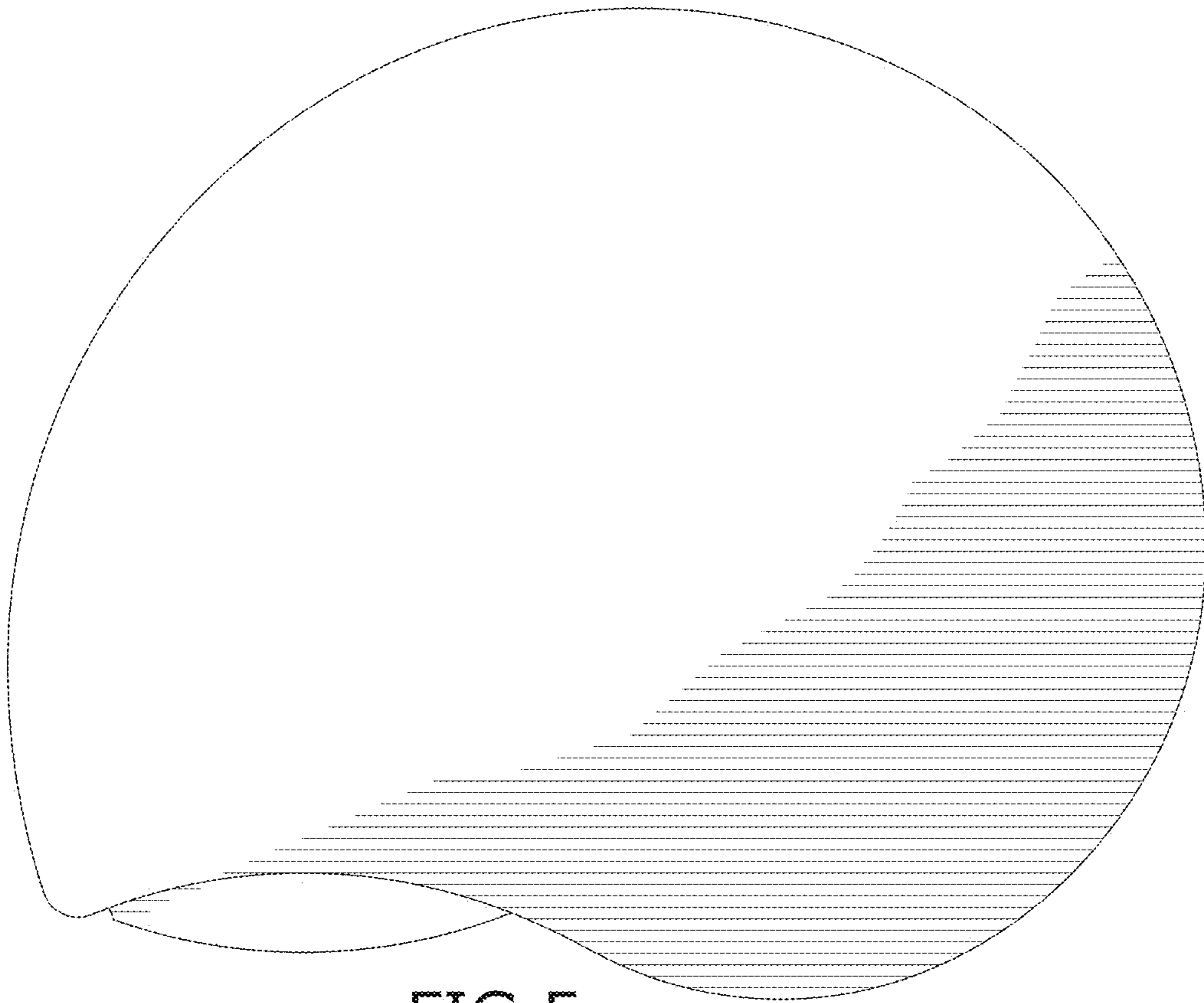


FIG. 5

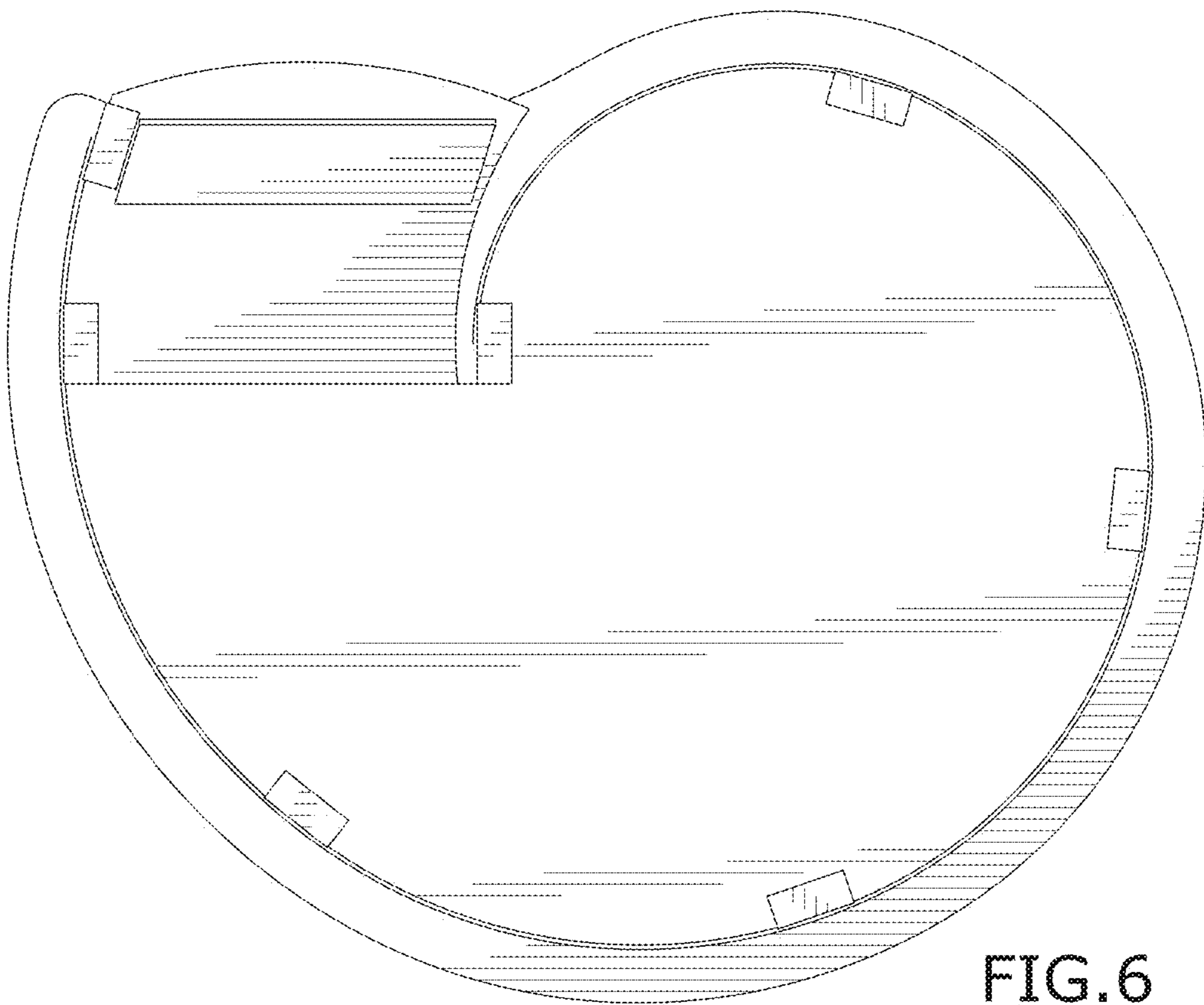


FIG. 6

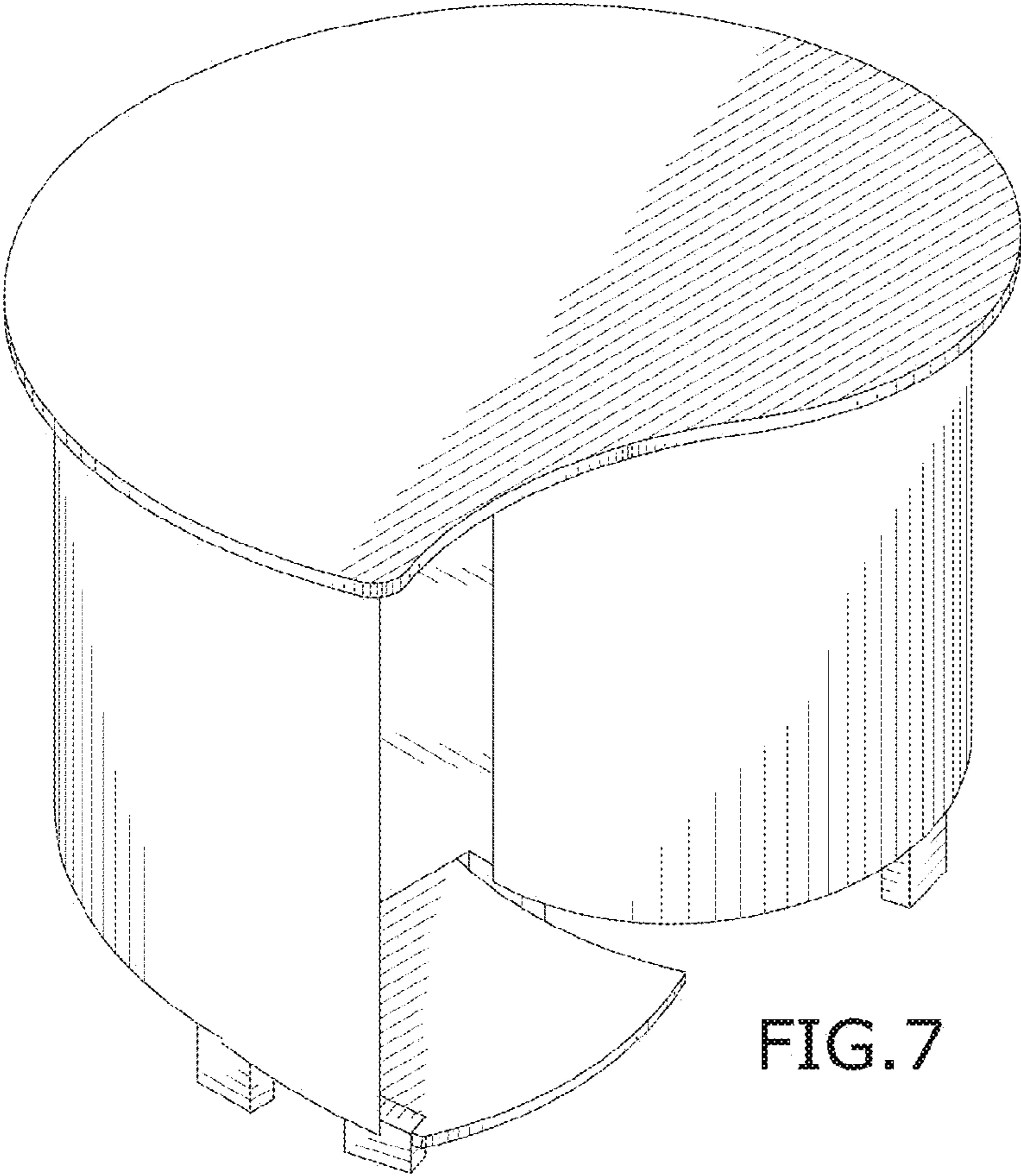


FIG. 7

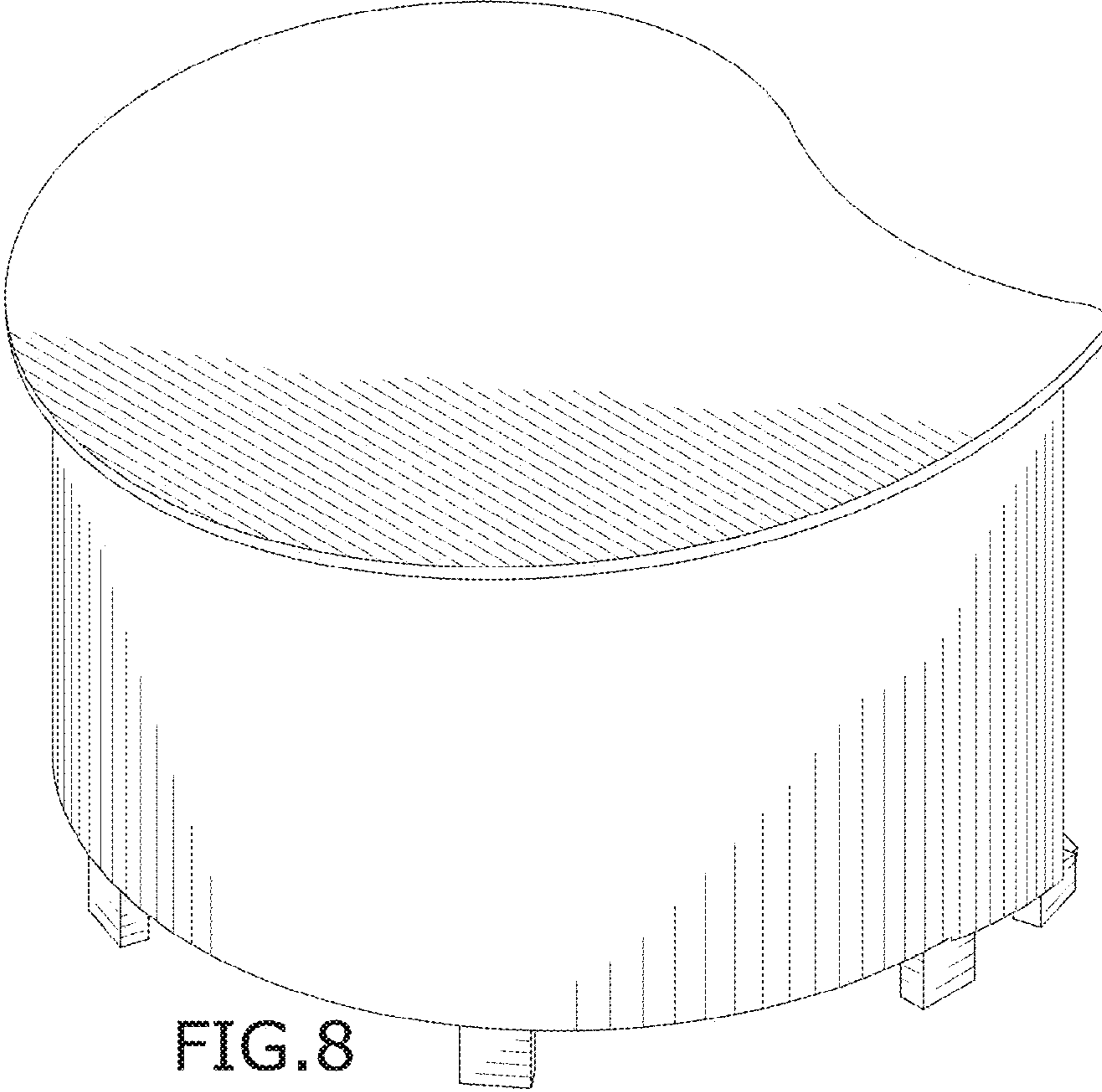


FIG. 8

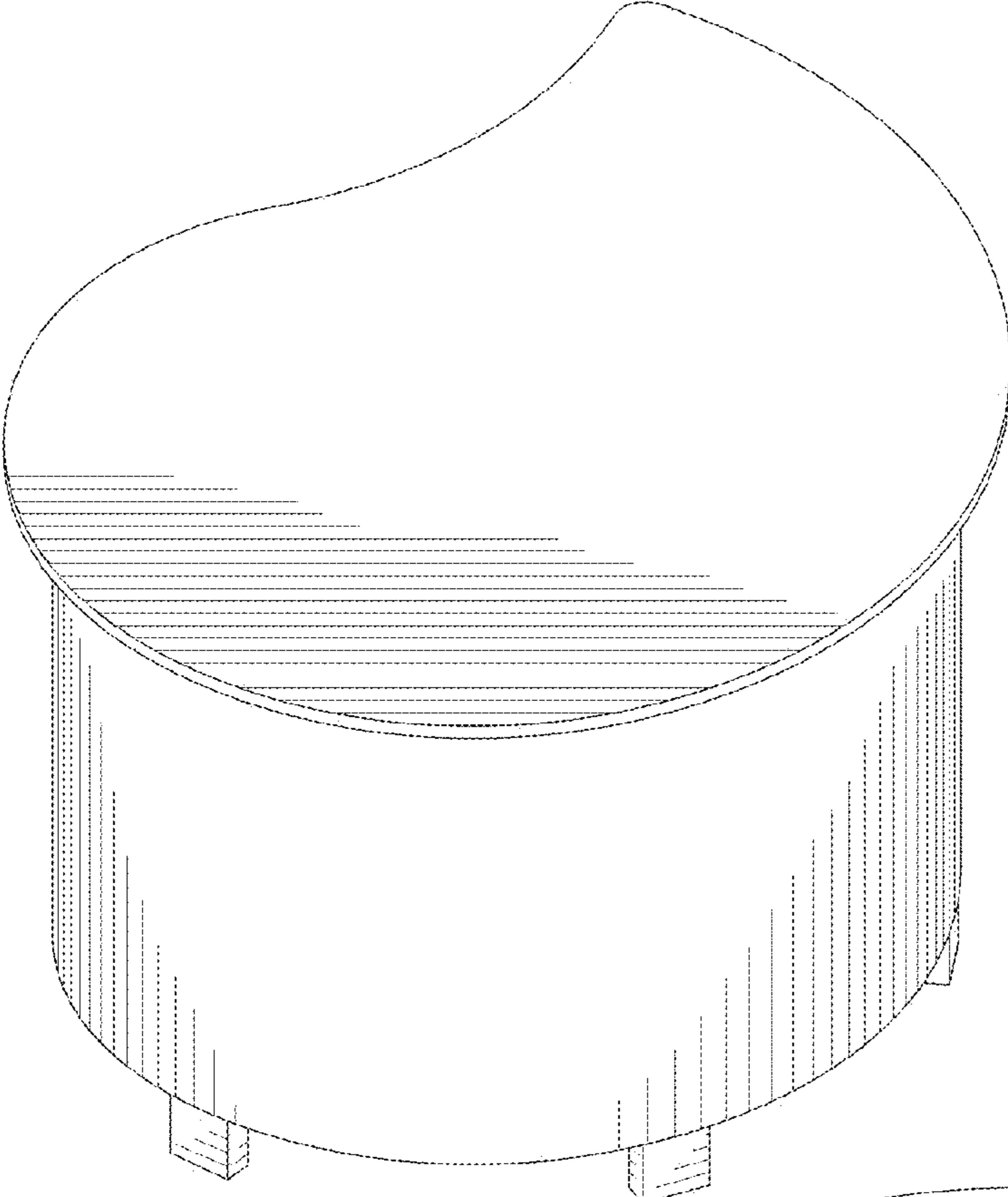


FIG. 9

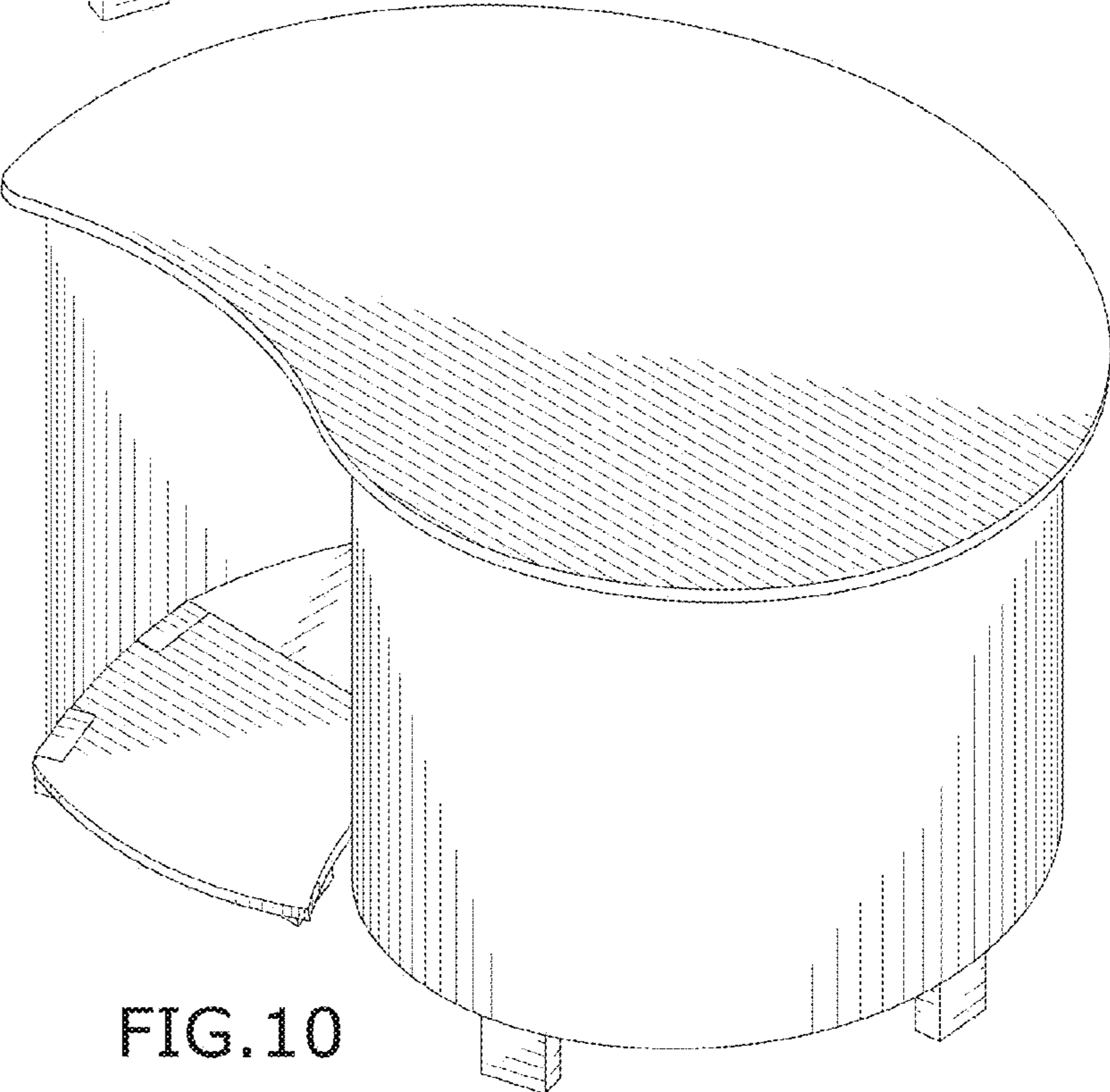


FIG. 10