



US00D929677S

(12) **United States Design Patent** (10) **Patent No.:** **US D929,677 S**
Toolan et al. (45) **Date of Patent:** **** Aug. 31, 2021**

(54) **PET CHEW TOY**
(71) Applicant: **Benebone LLC**, Westport, CT (US)
(72) Inventors: **Peter Toolan**, Westport, CT (US); **Evan L. Ryan**, Highland Park, IL (US)
(73) Assignee: **Benebone LLC**, Westport, CT (US)
(**) Term: **15 Years**
(21) Appl. No.: **29/740,920**
(22) Filed: **Jul. 8, 2020**

D708,418 S * 7/2014 Allen D1/106
D709,559 S * 7/2014 Baumann D21/398
D827,846 S * 9/2018 De Nitto D24/211
D840,045 S * 2/2019 Merkel D24/211
D840,610 S * 2/2019 Toolan D30/160
D843,680 S * 3/2019 Becattini, Jr. D1/118
D851,271 S * 6/2019 Burson A61H 15/0092
D24/211
D858,911 S * 9/2019 Becattini, Jr. D30/160
2018/0000048 A1* 1/2018 Stone A01K 15/025

* cited by examiner

Primary Examiner — Aula Soroush

(74) *Attorney, Agent, or Firm* — Zollinger & Burleson Ltd.

Related U.S. Application Data

(62) Division of application No. 29/622,395, filed on Oct. 17, 2017, now Pat. No. Des. 894,503.

(51) **LOC (13) Cl.** **30-99**

(52) **U.S. Cl.**
USPC **D30/160**

(58) **Field of Classification Search**
USPC D21/398, 400, 402, 412, 415, 426, 436, D21/439, 440, 441, 443, 455, 460-462, D21/466-468, 479, 495, 563, 656, 712, D21/713, 788, 799.1, 470, 681; D24/211, D24/214, 215, 193-195; D30/160, 112, D30/119; D1/120, 125-127, 106
CPC A01K 1/0356; A01K 5/01; A01K 5/0114; A01K 15/025; A01K 39/0106; A01K 39/02; A01K 39/0213; A01K 7/02
See application file for complete search history.

(56) **References Cited**

U.S. PATENT DOCUMENTS

D253,373 S * 11/1979 Celeste 601/121
D256,503 S * 8/1980 Moustakas D24/212
D475,464 S * 6/2003 Chen D24/211
D676,140 S * 2/2013 Feightner D24/212

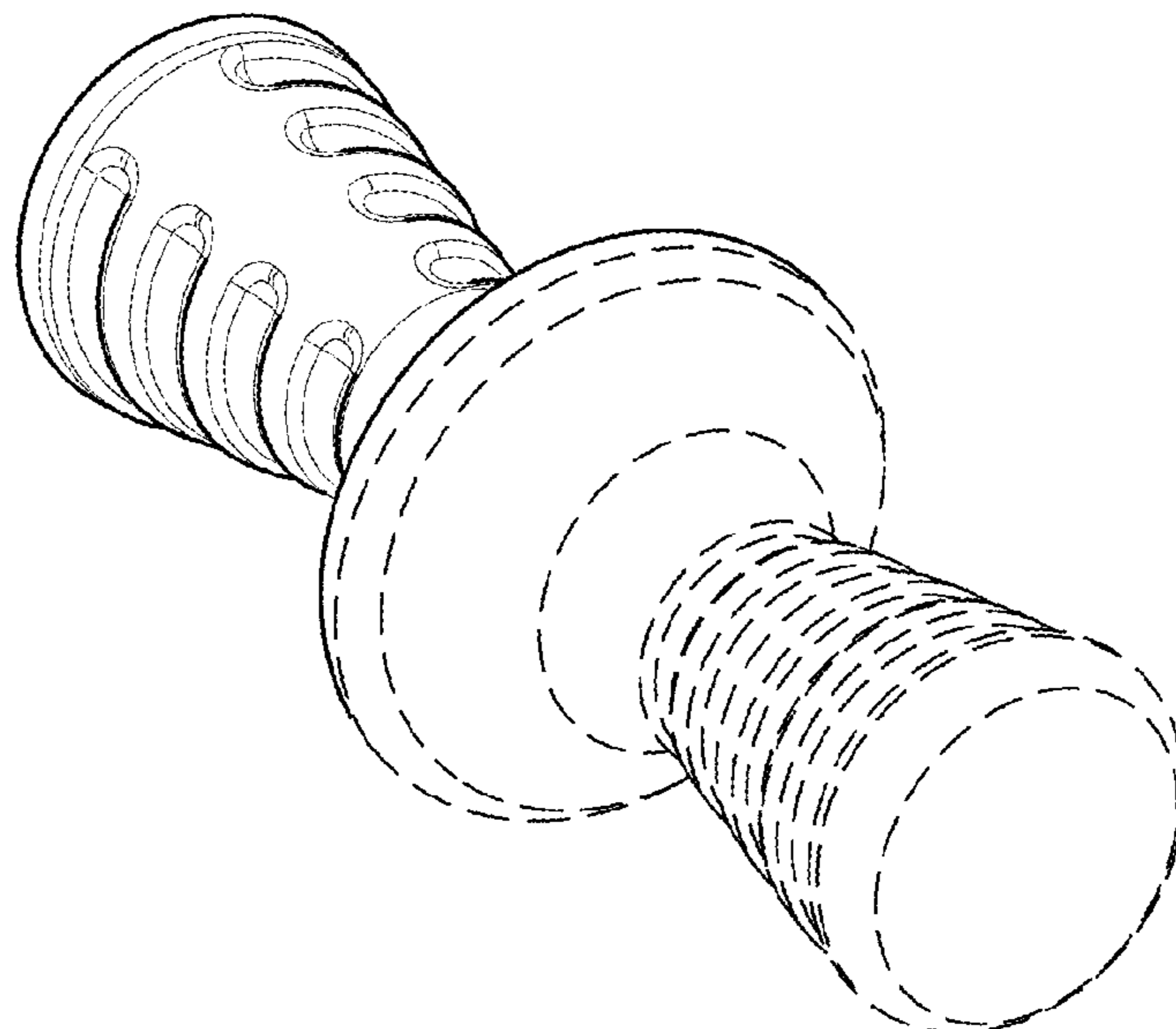
(57) **CLAIM**

The ornamental design for a pet chew toy, as shown and described.

DESCRIPTION

FIG. 1 is an upper front right perspective view of a first embodiment of the pet chew toy showing our new design. FIG. 2 is an upper rear right perspective view thereof. FIG. 3 is a front elevation view thereof. FIG. 4 is a rear elevation view thereof. FIG. 5 is a top plan view of thereof. FIG. 6 is a bottom plan view thereof. FIG. 7 is a left side elevation view thereof. FIG. 8 is an upper front right perspective view of a second embodiment of the pet chew toy showing our new design. FIG. 9 is an upper rear right perspective view thereof. FIG. 10 is a front elevation view thereof. FIG. 11 is a rear elevation view thereof. FIG. 12 is a top plan view of thereof. FIG. 13 is a bottom plan view thereof; and, FIG. 14 is a right side elevation view thereof. The broken lines in the drawings illustrate portions of the pet chew toy that form no part of the claimed design.

1 Claim, 6 Drawing Sheets



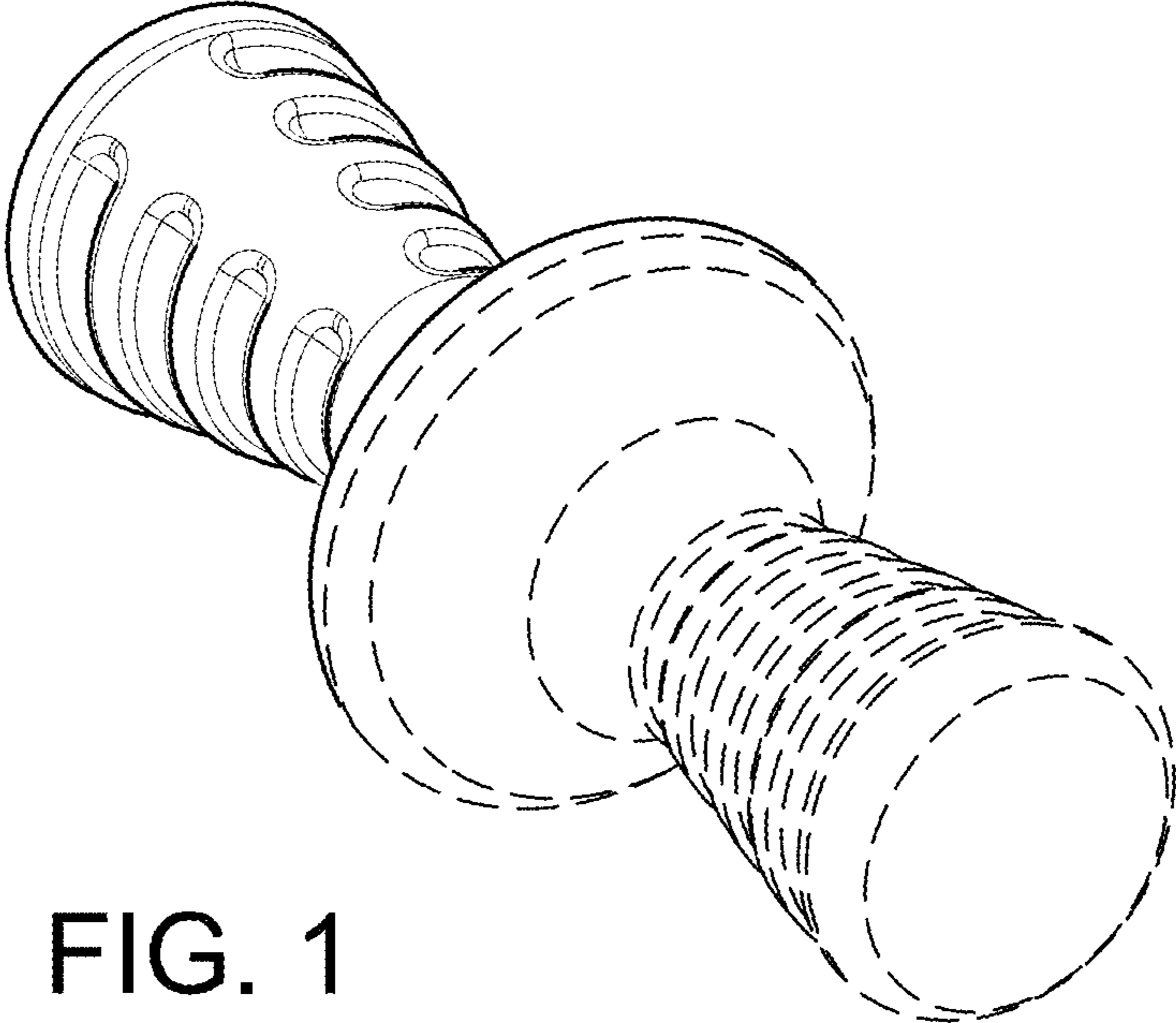


FIG. 1

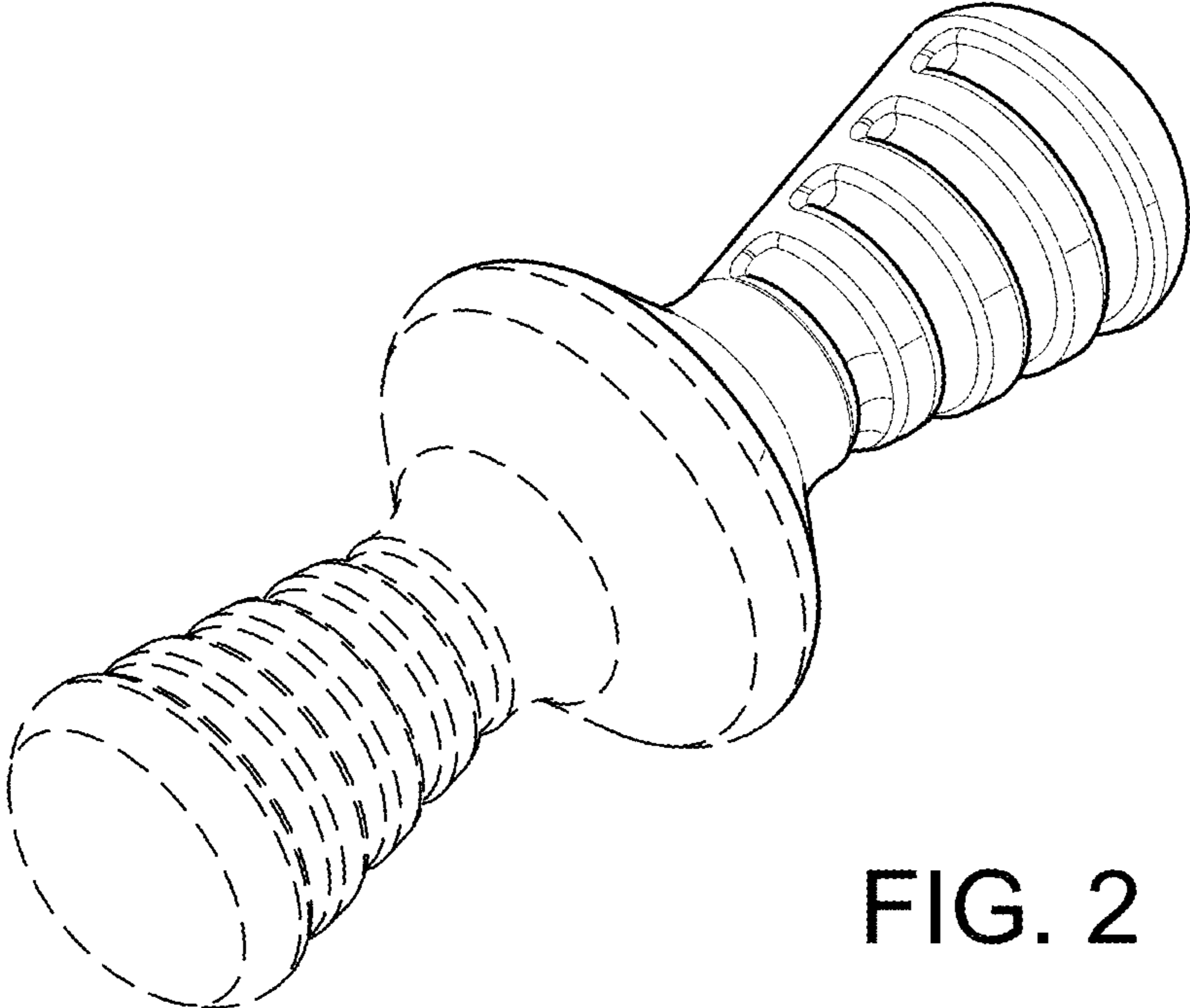


FIG. 2

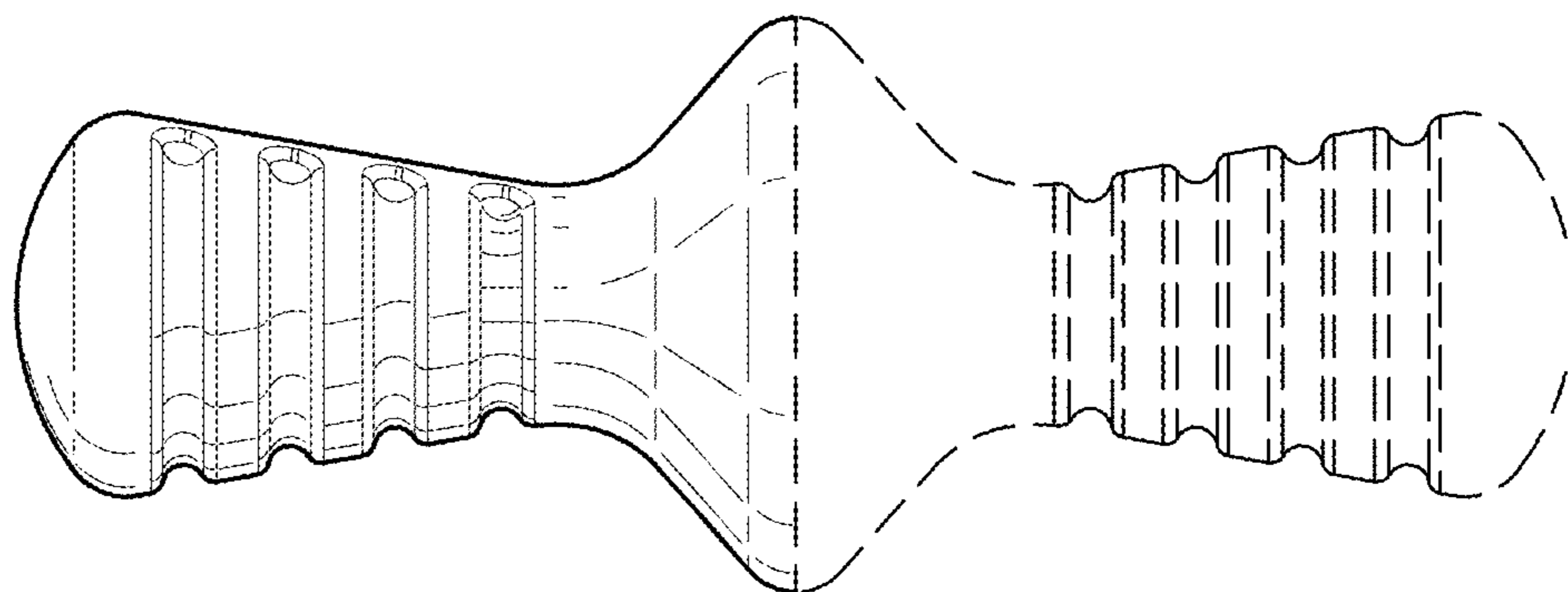


FIG. 3

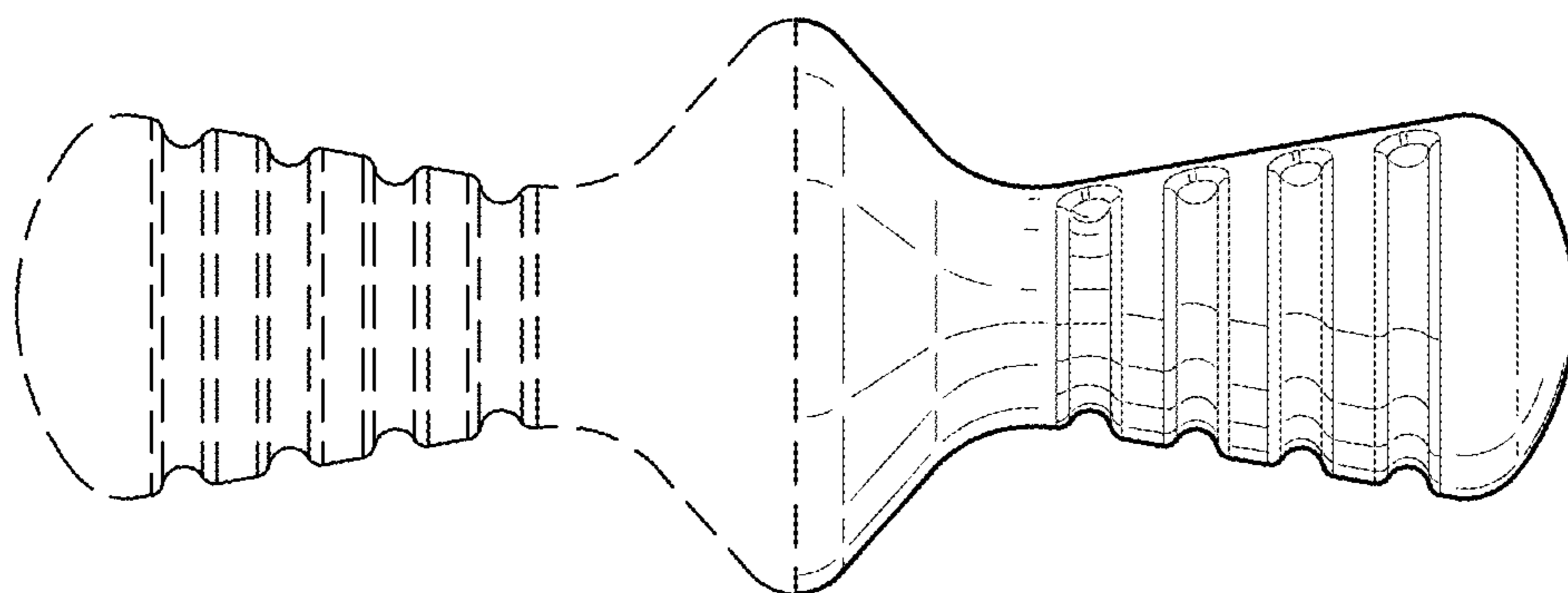


FIG. 4

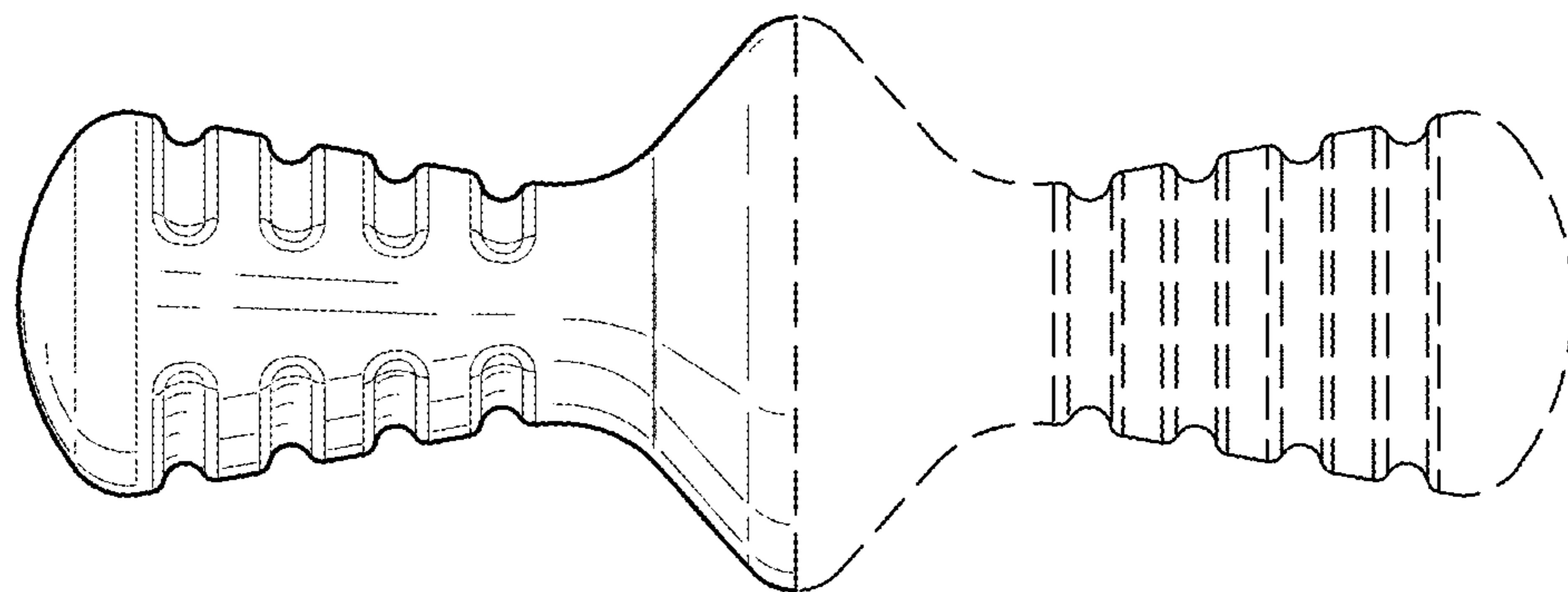


FIG. 5

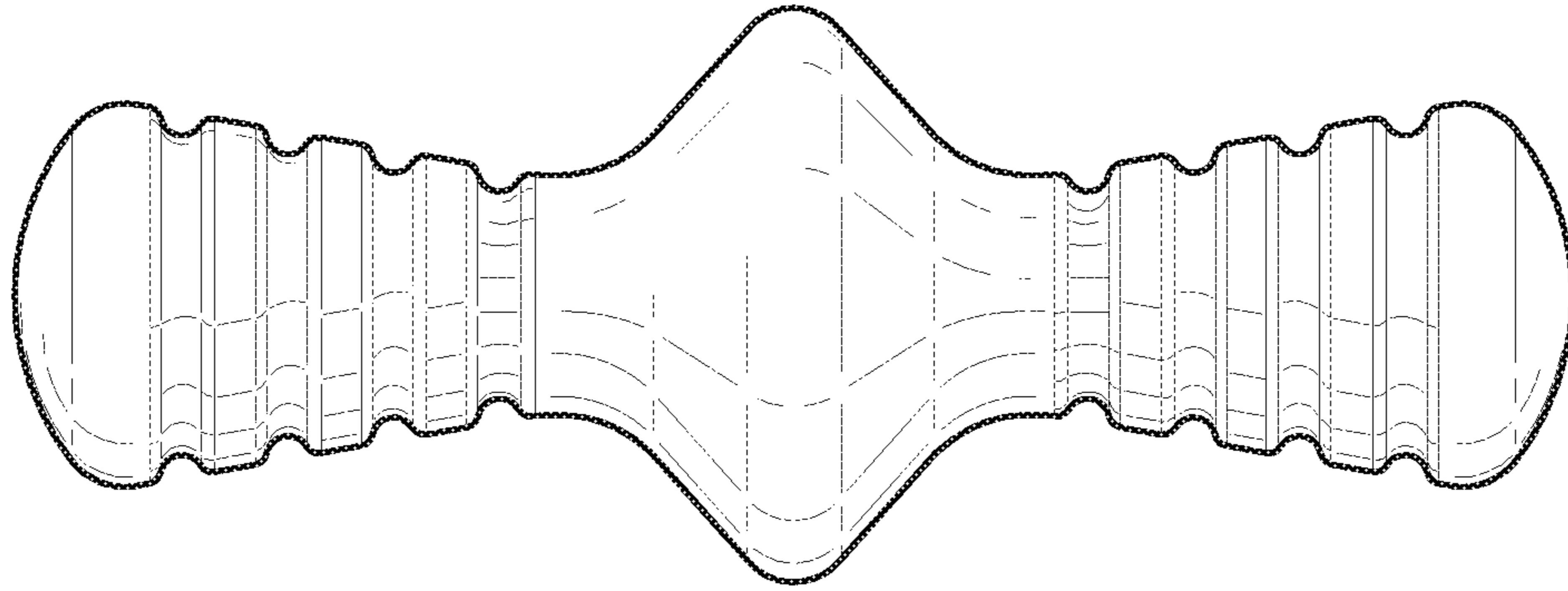


FIG. 6

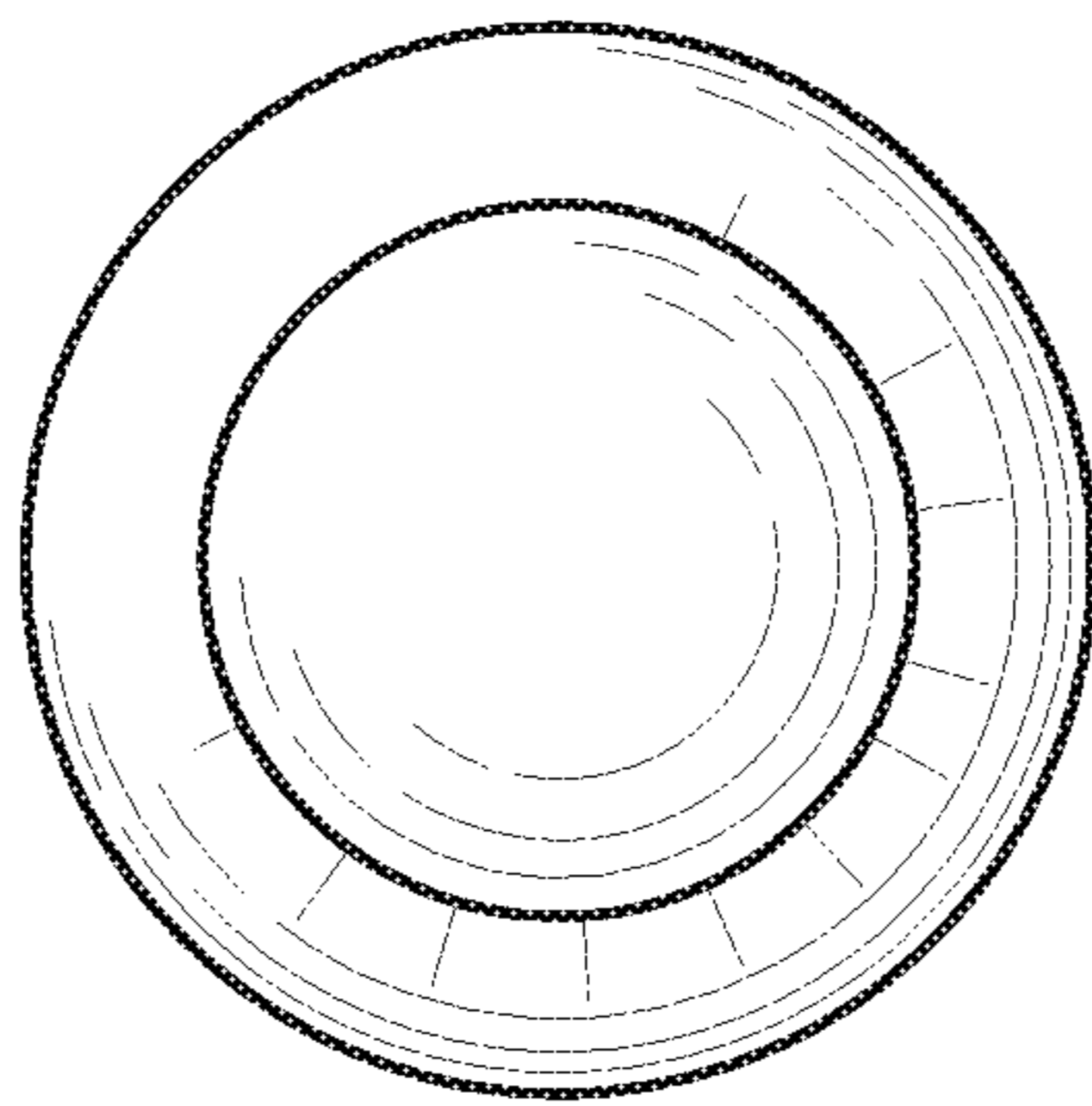


FIG. 7

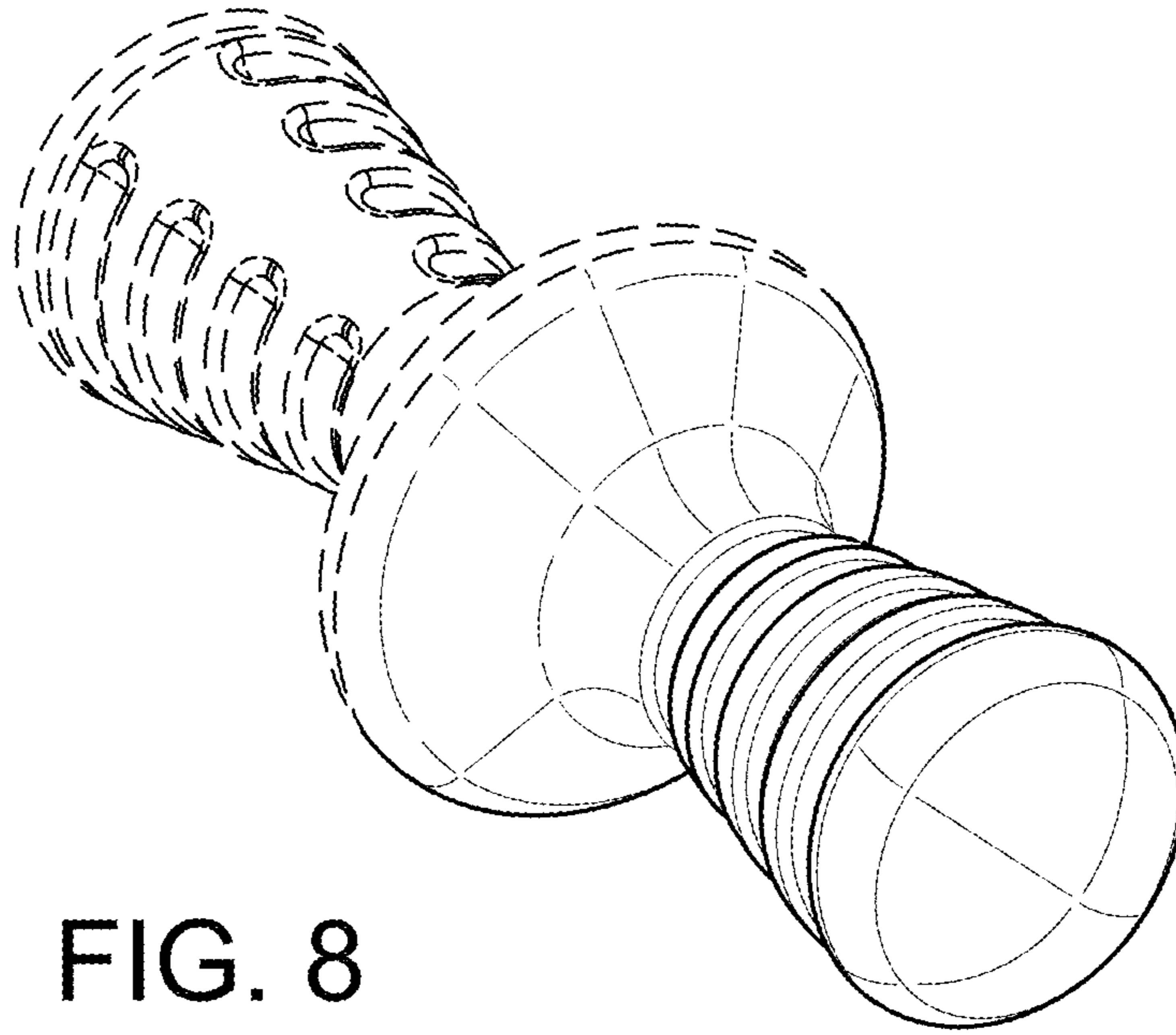


FIG. 8

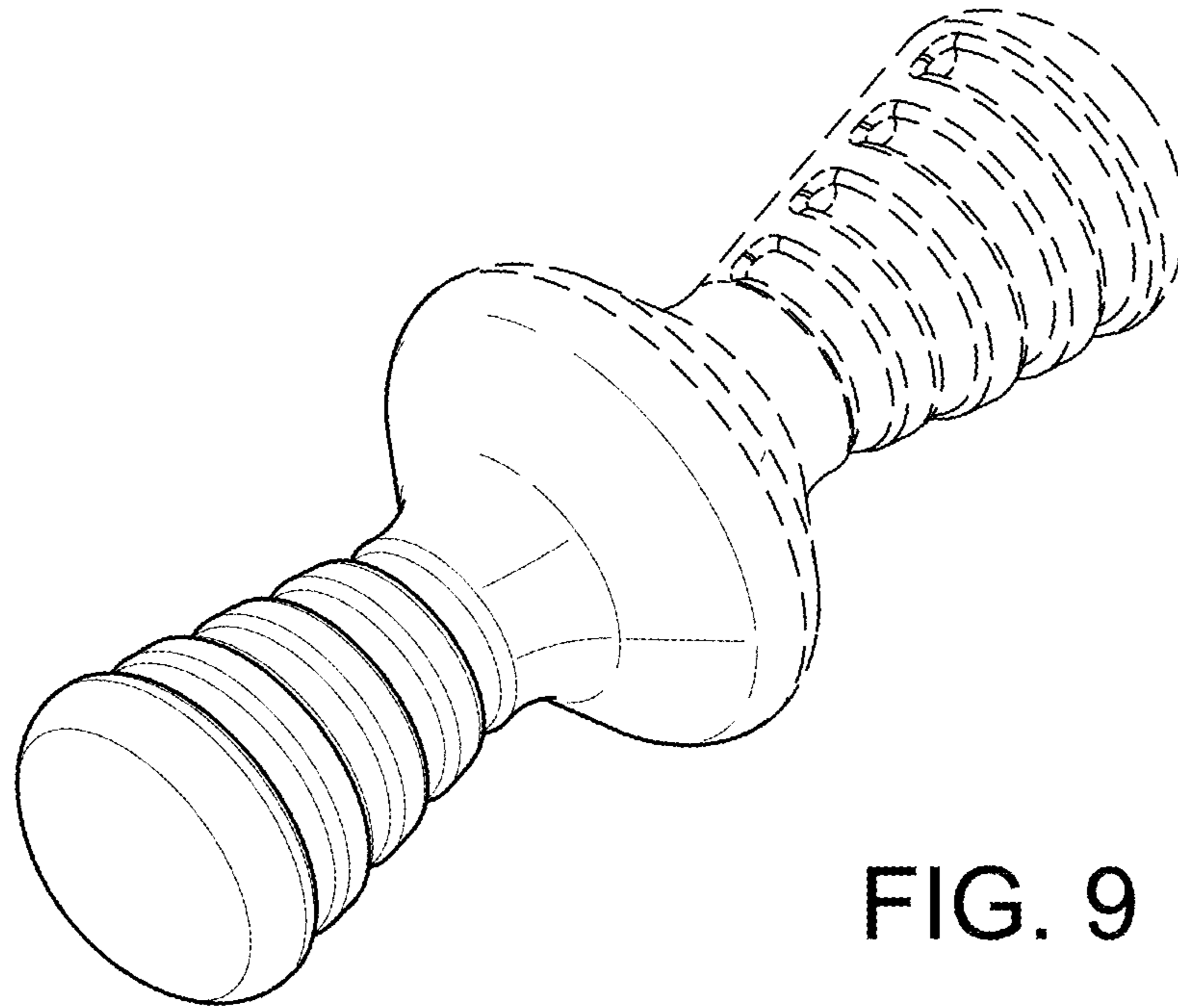


FIG. 9

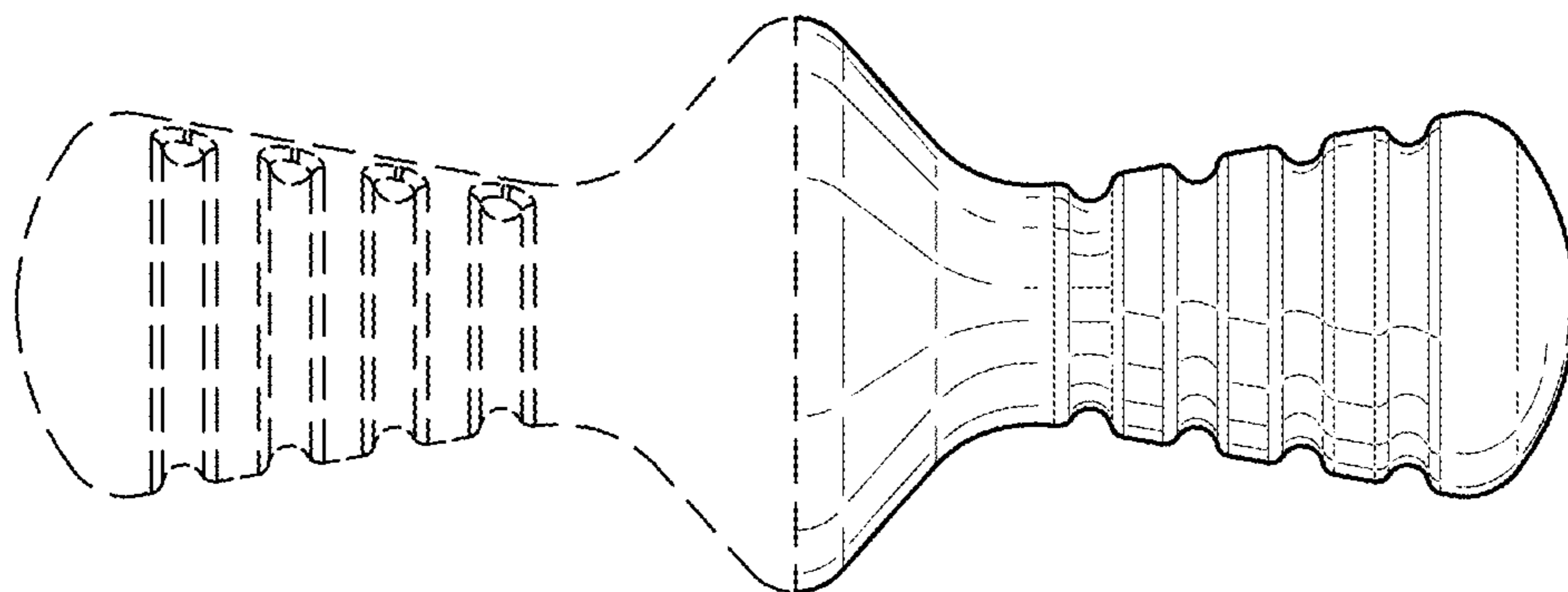


FIG. 10

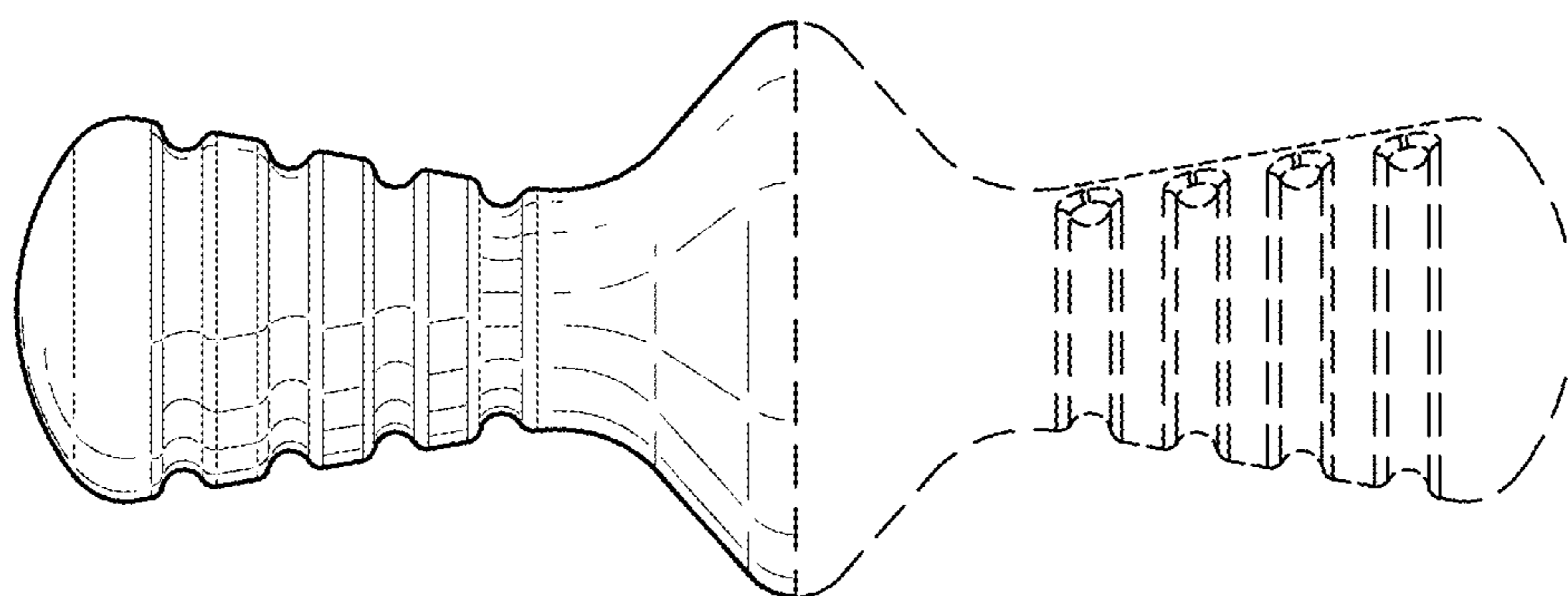


FIG. 11

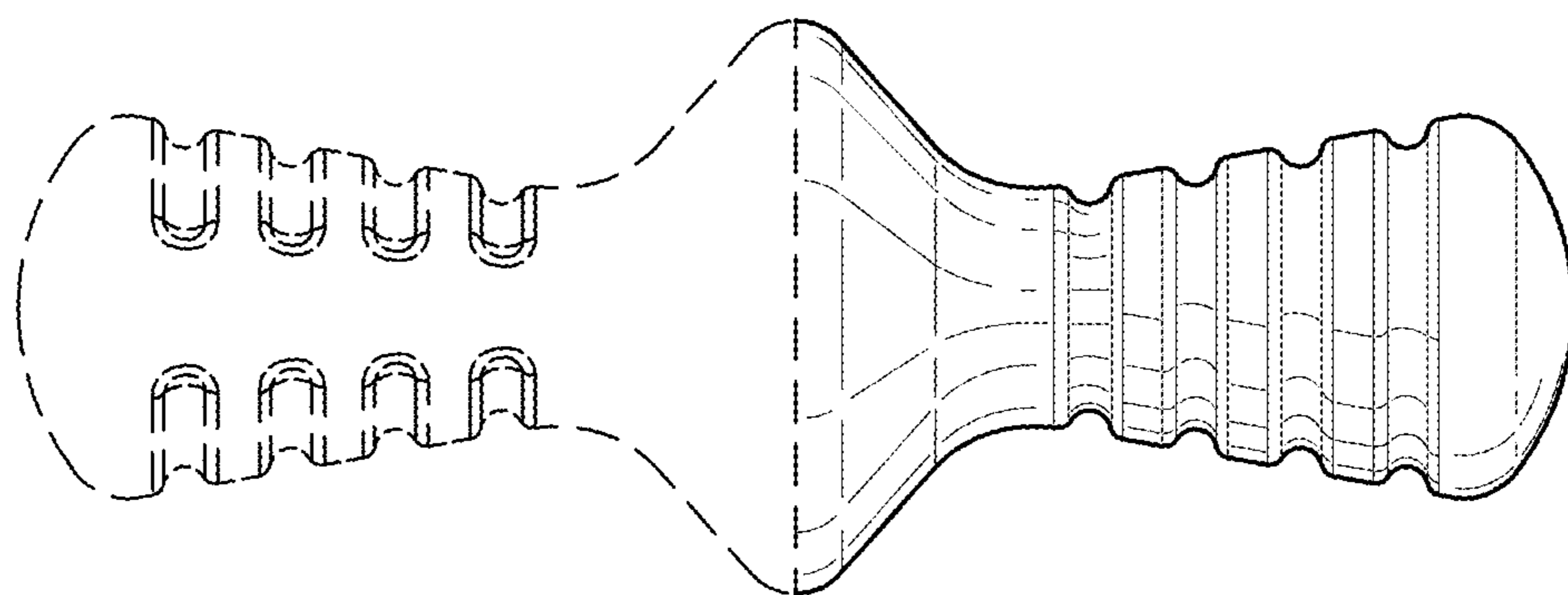


FIG. 12

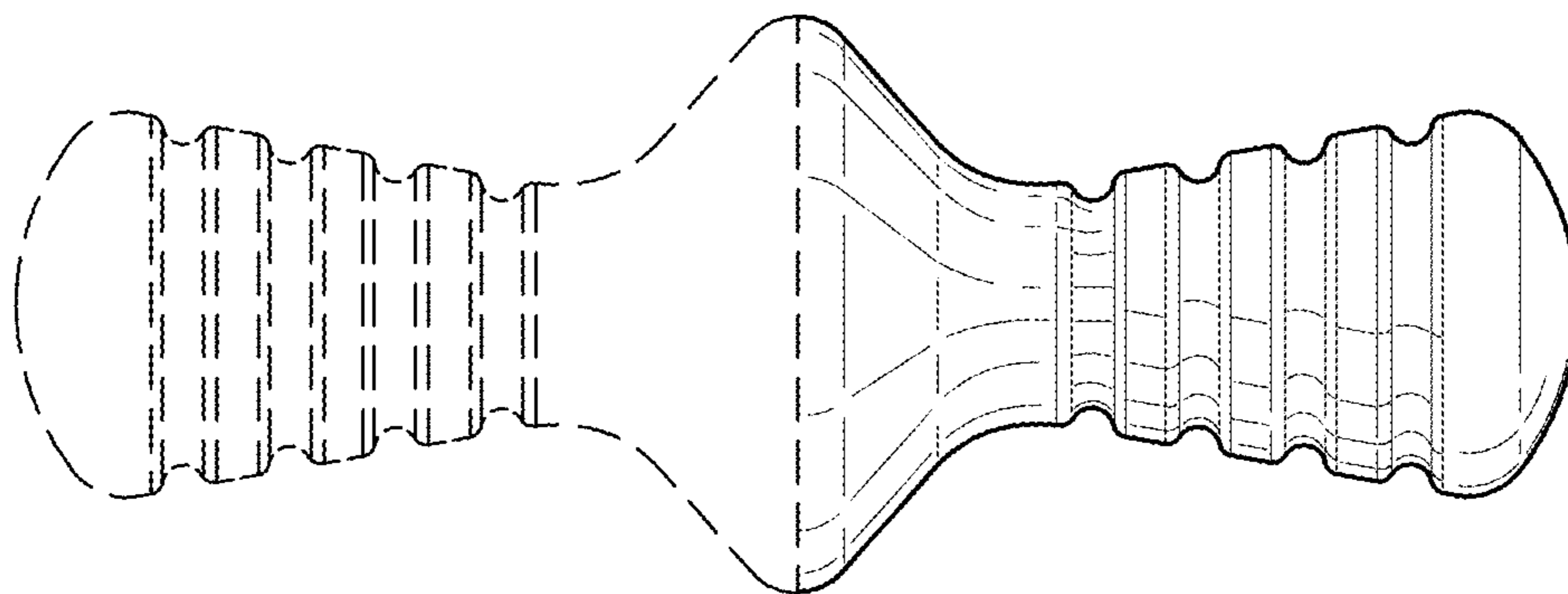


FIG. 13

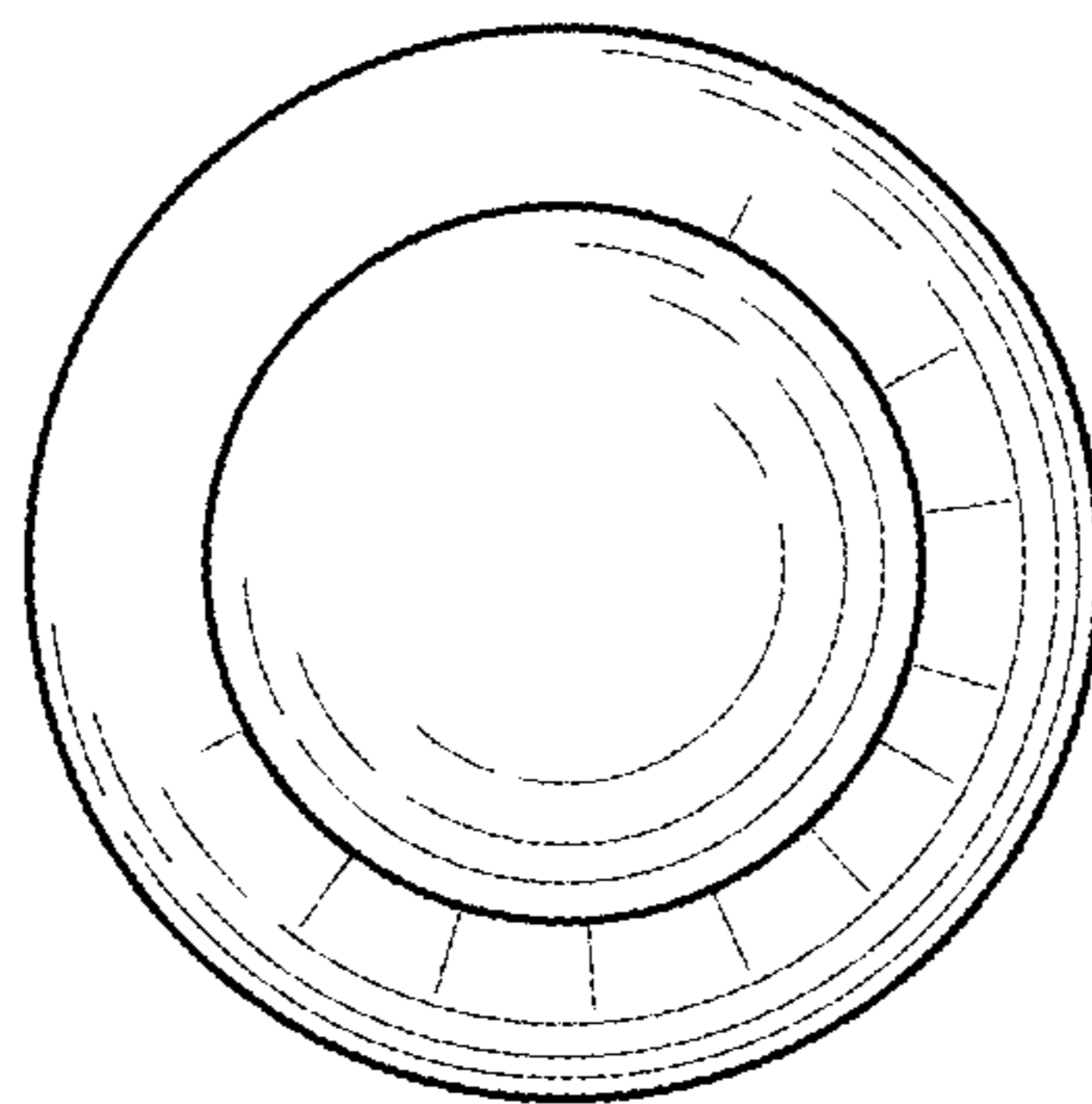


FIG. 14

UNITED STATES PATENT AND TRADEMARK OFFICE
CERTIFICATE OF CORRECTION

PATENT NO. : D929,677 S
APPLICATION NO. : 29/740920
DATED : August 31, 2021
INVENTOR(S) : Peter Toolan and Evan L. Ryan

Page 1 of 1

It is certified that error appears in the above-identified patent and that said Letters Patent is hereby corrected as shown below:

In the Drawings

Please delete and replace Fig 6 with the drawing below:

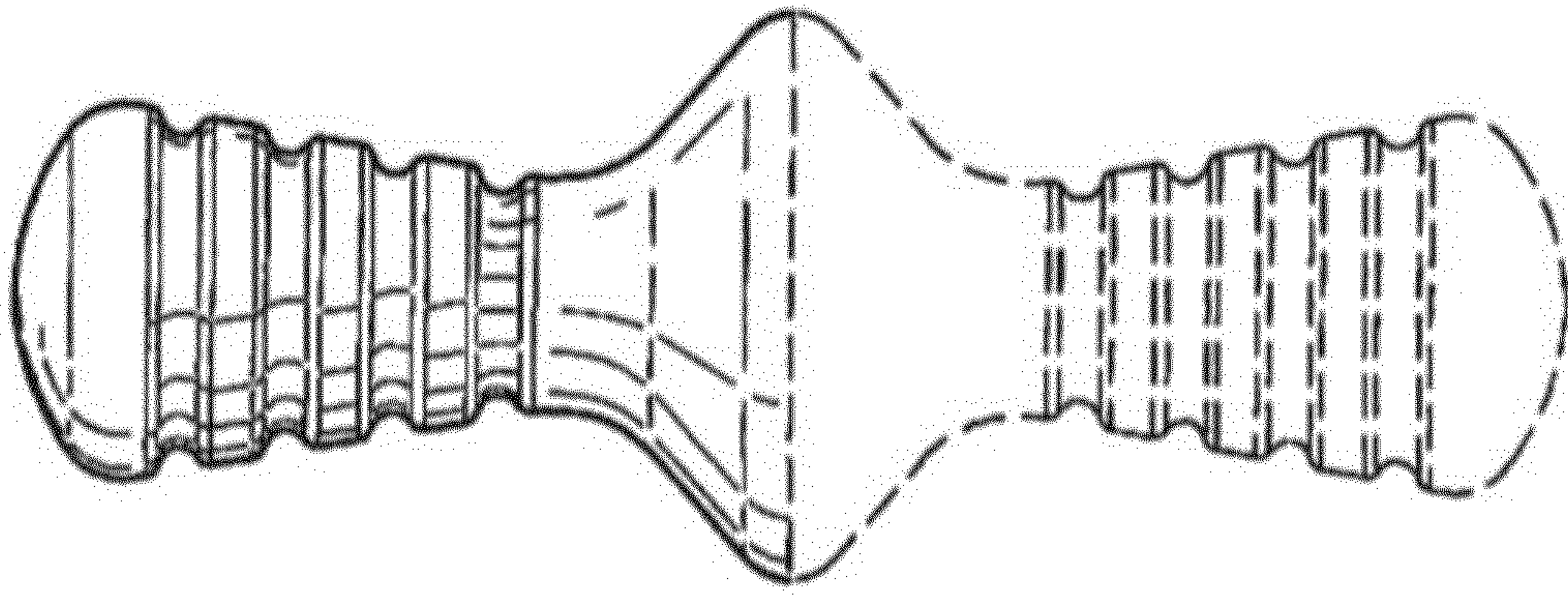


FIG. 6

Signed and Sealed this
Seventh Day of May, 2024
Katherine Kelly Vidal

Katherine Kelly Vidal
Director of the United States Patent and Trademark Office