



US00D929675S

(12) **United States Design Patent**
Wilhelm

(10) **Patent No.:** **US D929,675 S**

(45) **Date of Patent:** **** Aug. 31, 2021**

(54) **PET TOY**

A63B 2071/0602; A63B 21/0055; A63B
2207/02; A63B 2225/54; A63B 69/0053;
A63B 2047/043

(71) Applicant: **Doskocil Manufacturing Company,
Inc., Arlington, TX (US)**

See application file for complete search history.

(72) Inventor: **Josiah Wilhelm, Fort Worth, TX (US)**

(56)

References Cited

(73) Assignee: **DOSKOCIL MANUFACTURING
COMPANY, INC, Arlington, TX (US)**

U.S. PATENT DOCUMENTS

(**) Term: **15 Years**

(21) Appl. No.: **29/722,610**

(22) Filed: **Jan. 31, 2020**

(51) **LOC (13) Cl.** **30-99**

(52) **U.S. Cl.**

USPC **D30/160**

(58) **Field of Classification Search**

USPC D21/398, 400, 402, 412, 415, 426, 436,
D21/439, 440, 441, 443, 455, 460-462,
D21/466-468, 479, 495, 563, 656, 712,
D21/713, 788, 799.1, 470, 681; D24/211,
D24/214, 215, 193-195; D30/108-120,
D30/158-161; D1/125-127

CPC A63H 5/00; A63H 33/26; A63H 33/18;
A63H 29/22; A63H 29/24; A63H
2200/00; A63H 11/00; A63H 13/00;
A63H 18/02; A63H 18/14; A63H 18/16;
A63H 29/00; A63H 33/009; A63H 33/22;
A63H 33/3055; A63H 3/003; A63H
3/006; A63H 3/008; A63H 3/24; A63H
3/28; A63H 3/31; A63H 3/36; A63H
9/00; A63B 59/20; A63B 69/406; A63B
47/04; A63B 2220/51; A63B 2220/53;
A63B 2220/56; A63B 2220/805; A63B
2071/0625; A63B 2071/063; A63B
2220/17; A63B 2220/18; A63B 2220/40;
A63B 2220/803; A63B 2220/833; A63B
43/004; A63B 43/06; A63B 71/0622;

D462,487 S *	9/2002	Axelrod	D30/160
7,186,206 B2 *	3/2007	Wren	A63B 69/34 446/220
D544,655 S *	6/2007	Hass	D30/160
D687,837 S *	8/2013	Andre	D14/480.2
D688,836 S *	8/2013	Costello	D30/160
D705,075 S *	5/2014	Zwettler	D9/601
D726,975 S *	4/2015	Kim	D30/160
D762,928 S *	8/2016	Lai	D30/160
D771,326 S *	11/2016	Lai	D30/160
D774,710 S *	12/2016	Stiles	D30/160
D808,088 S *	1/2018	Stone	D30/160
D864,500 S *	10/2019	Benson	A01K 5/0114 D30/160
D871,687 S *	12/2019	Mou	D30/160
2008/0121190 A1 *	5/2008	Moulton	A01K 5/0114 119/710

(Continued)

Primary Examiner — Aula Soroush

(74) *Attorney, Agent, or Firm* — Global IP Counselors,
LLP

(57)

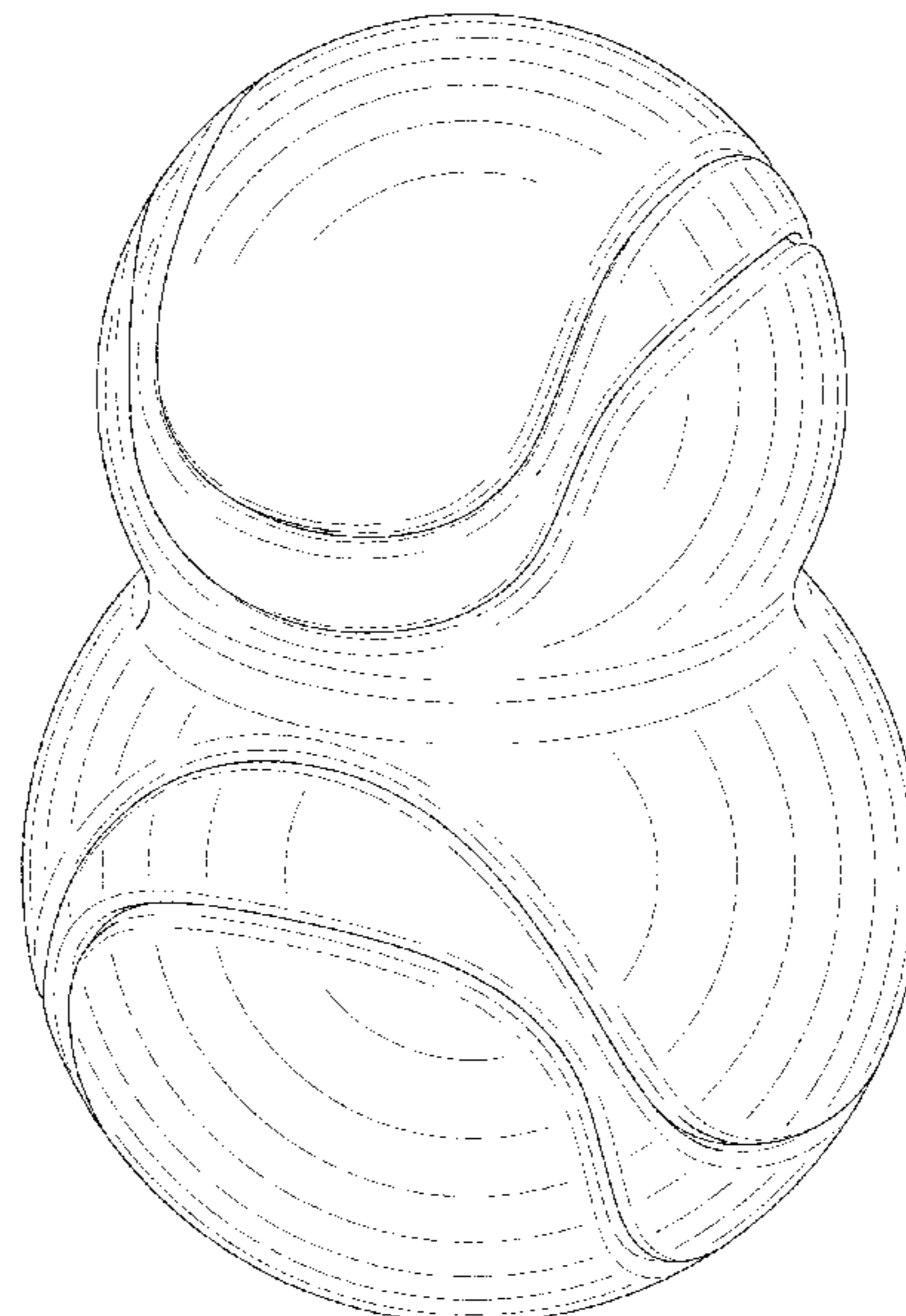
CLAIM

The ornamental design for a pet toy, as shown and described.

DESCRIPTION

FIG. 1 is a top front perspective view of a pet toy in accordance with my new design;
FIG. 2 is a side view thereof, only the right side is shown, since the right and left sides are identical;
FIG. 3 is a back elevation view thereof;
FIG. 4 is a bottom plan view thereof; and,
FIG. 5 is a top plan view thereof.

1 Claim, 5 Drawing Sheets



(56)

References Cited

U.S. PATENT DOCUMENTS

2011/0083608	A1 *	4/2011	Markham	A01K 15/025	
					119/51.01
2011/0139815	A1 *	6/2011	Benson	A01K 5/0114	
					119/51.01

* cited by examiner

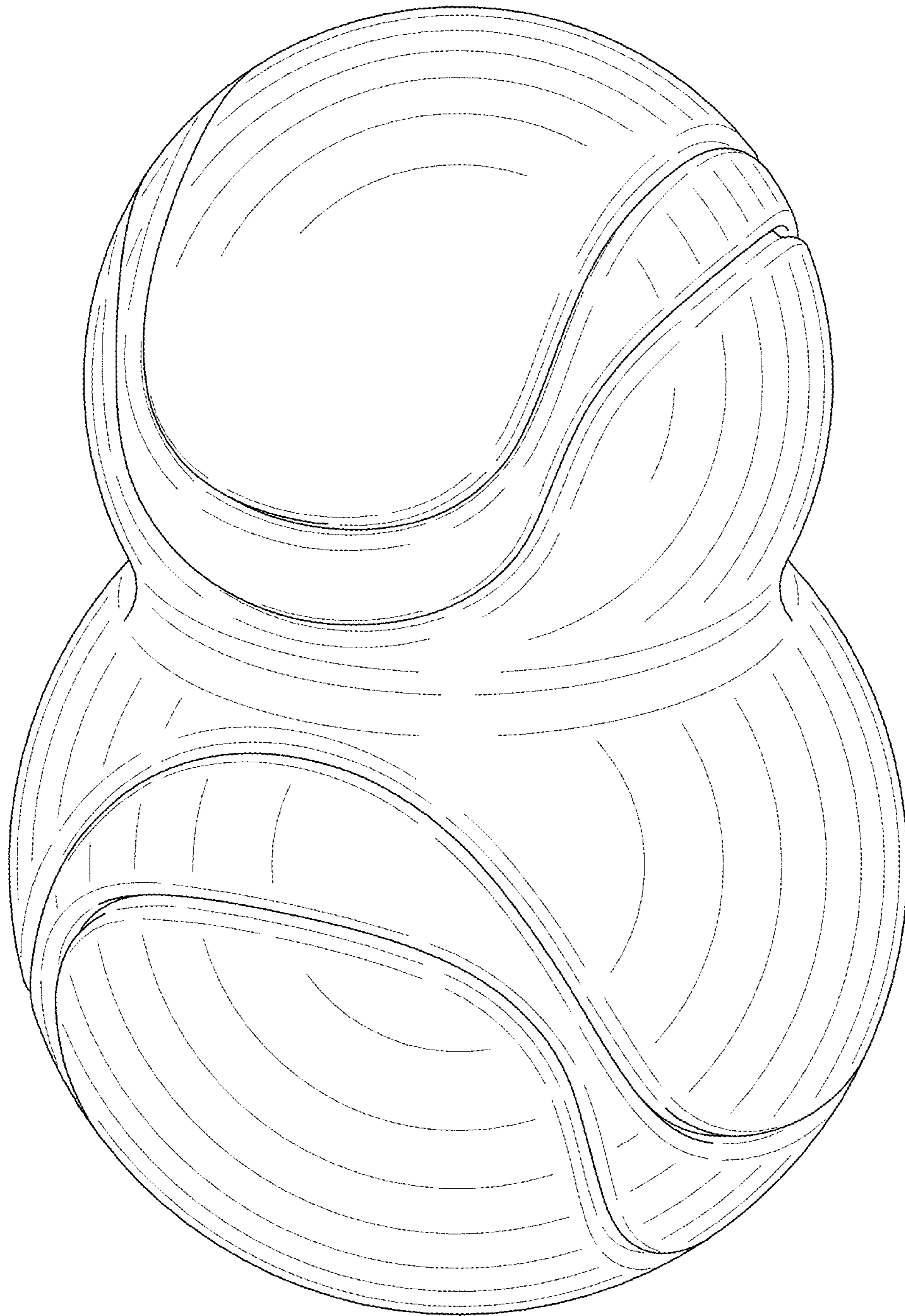


FIG. 1

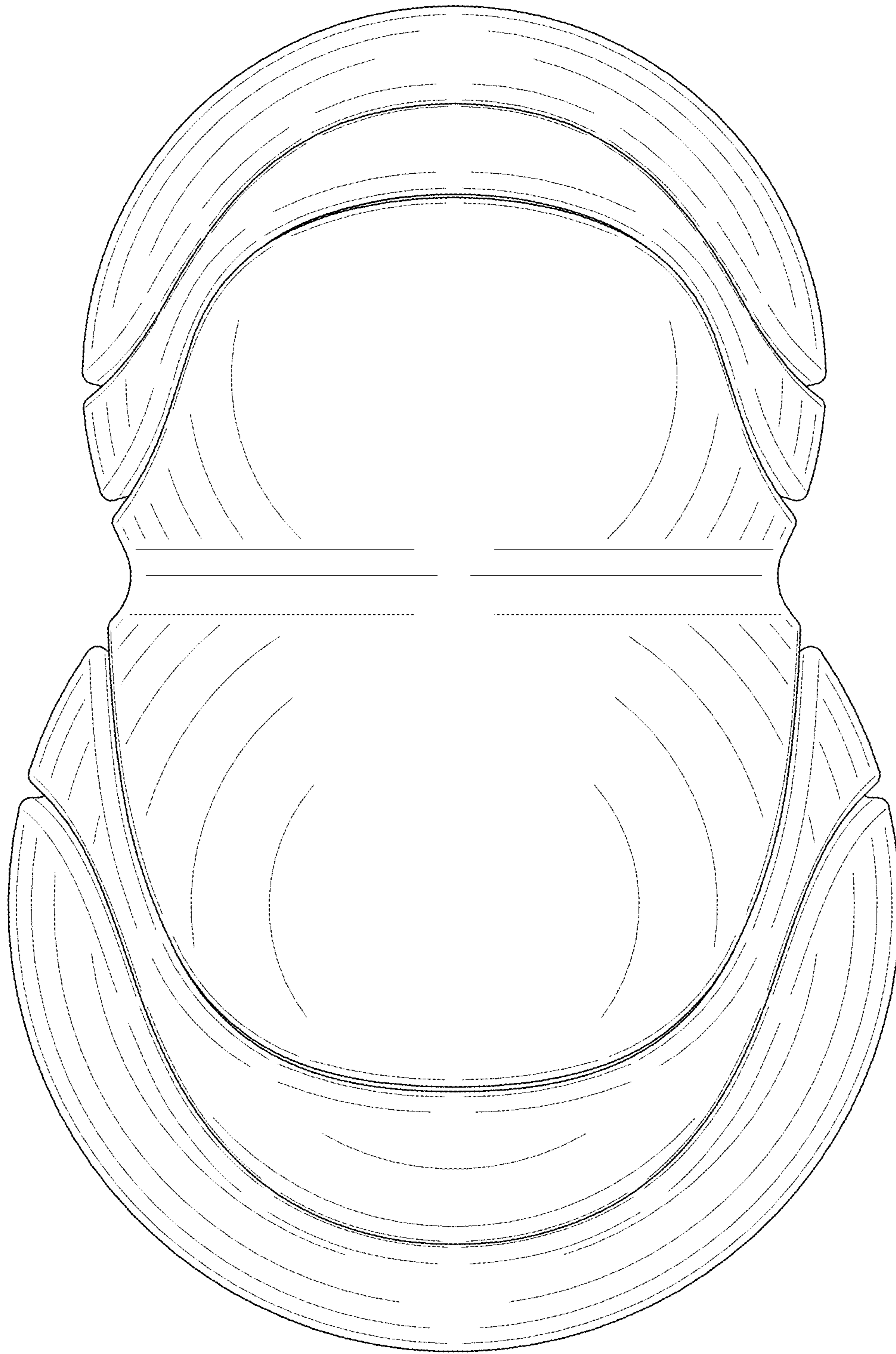


FIG. 2

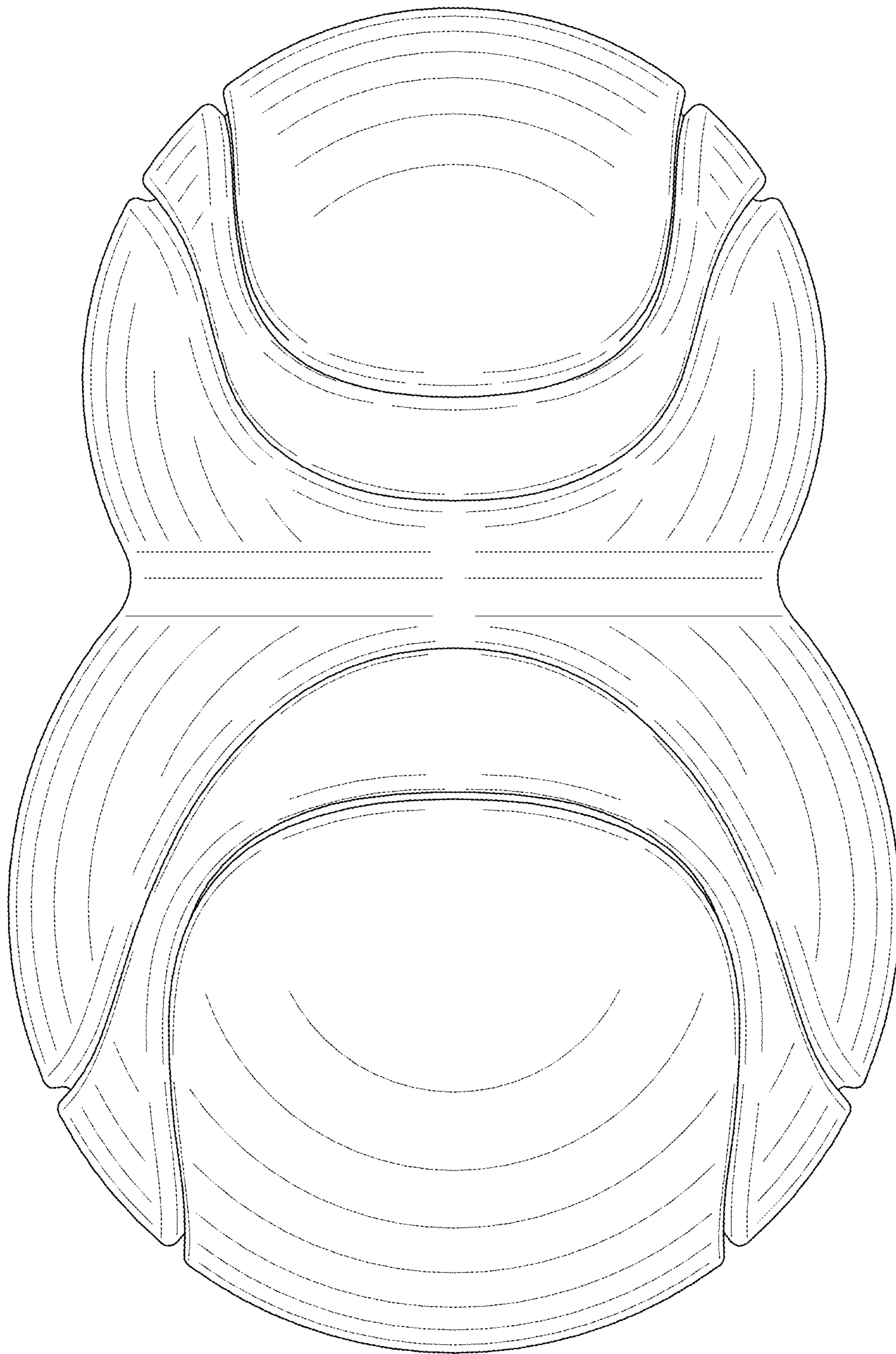


FIG. 3

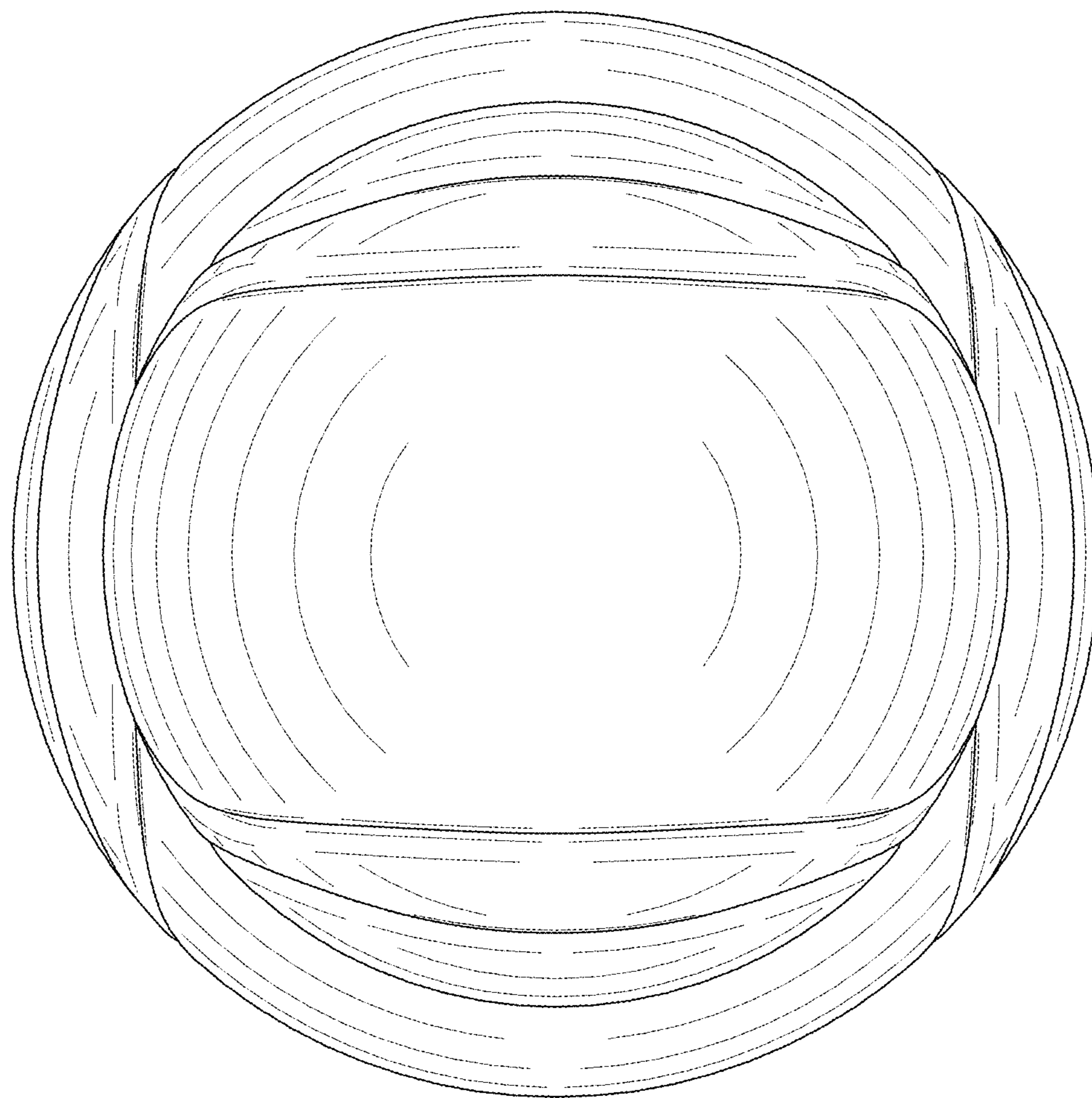


FIG. 4

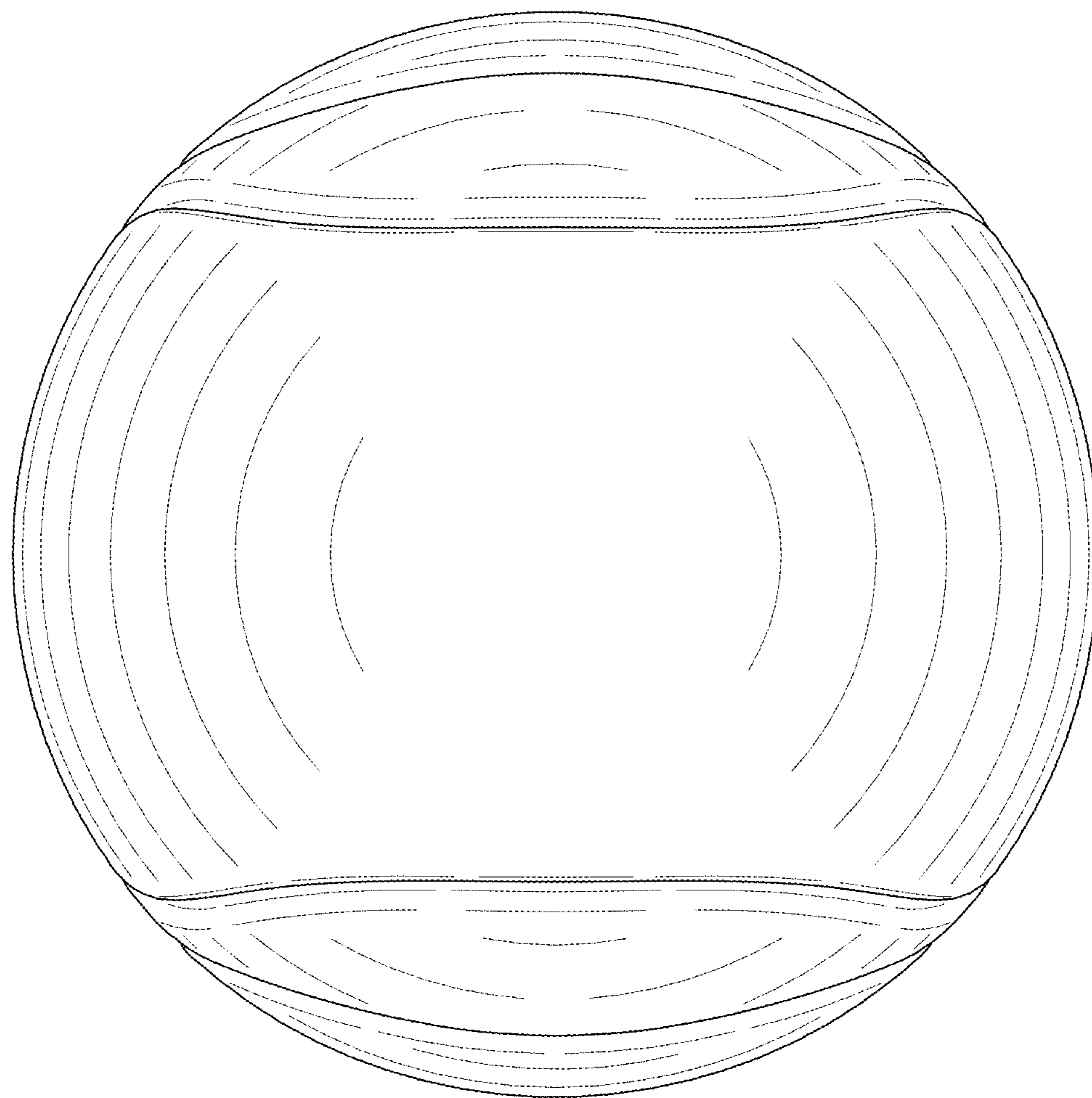


FIG. 5