



US00D929674S

(12) **United States Design Patent**
McNay

(10) **Patent No.:** **US D929,674 S**

(45) **Date of Patent:** **** Aug. 31, 2021**

(54) **FLYING DISK WITH PET GRASPING LIP ASSEMBLY**

(71) Applicant: **Brett Jordan McNay**, Banning, CA (US)

(72) Inventor: **Brett Jordan McNay**, Banning, CA (US)

(**) Term: **15 Years**

(21) Appl. No.: **29/722,592**

(22) Filed: **Jan. 30, 2020**

(51) **LOC (13) Cl.** **30-99**

(52) **U.S. Cl.**
USPC **D30/160**

(58) **Field of Classification Search**
USPC D21/144, 362, 390, 443, 707, 713, 715;
D30/160, 112, 119; D1/125-127
CPC A01K 15/00; A01K 15/02; A01K 15/025;
A01K 29/00; A63B 65/10; A63B 67/06;
A63B 37/02

See application file for complete search history.

(56) **References Cited**

U.S. PATENT DOCUMENTS

D526,029 S *	8/2006	Ragonetti	A01K 15/025
				D21/444
D680,280 S *	4/2013	Nielsen	D30/160
D683,516 S *	6/2013	Elias	D1/106
D691,673 S *	10/2013	Vazquez	D21/443
D725,713 S *	3/2015	Thompson	D21/443
D846,669 S *	4/2019	Adkins	D21/698
D866,880 S *	11/2019	Steinkraus	D30/160

D890,453 S *	7/2020	Blair	D30/160
D891,008 S *	7/2020	Zeng	D30/160
D902,505 S *	11/2020	Yeung	D30/160
2003/0184013 A1 *	10/2003	Chodosh	A63B 67/06
				273/139
2004/0083983 A1 *	5/2004	Markham	A01K 15/025
				119/709
2004/0166764 A1 *	8/2004	Stark	A63H 33/18
				446/46
2006/0141896 A1 *	6/2006	Owens	A63H 33/18
				446/48
2009/0176436 A1 *	7/2009	Stark	A63H 33/18
				446/46

* cited by examiner

Primary Examiner — Aula Soroush

(74) Attorney, Agent, or Firm — Quickpatents, LLC; Kevin Prince

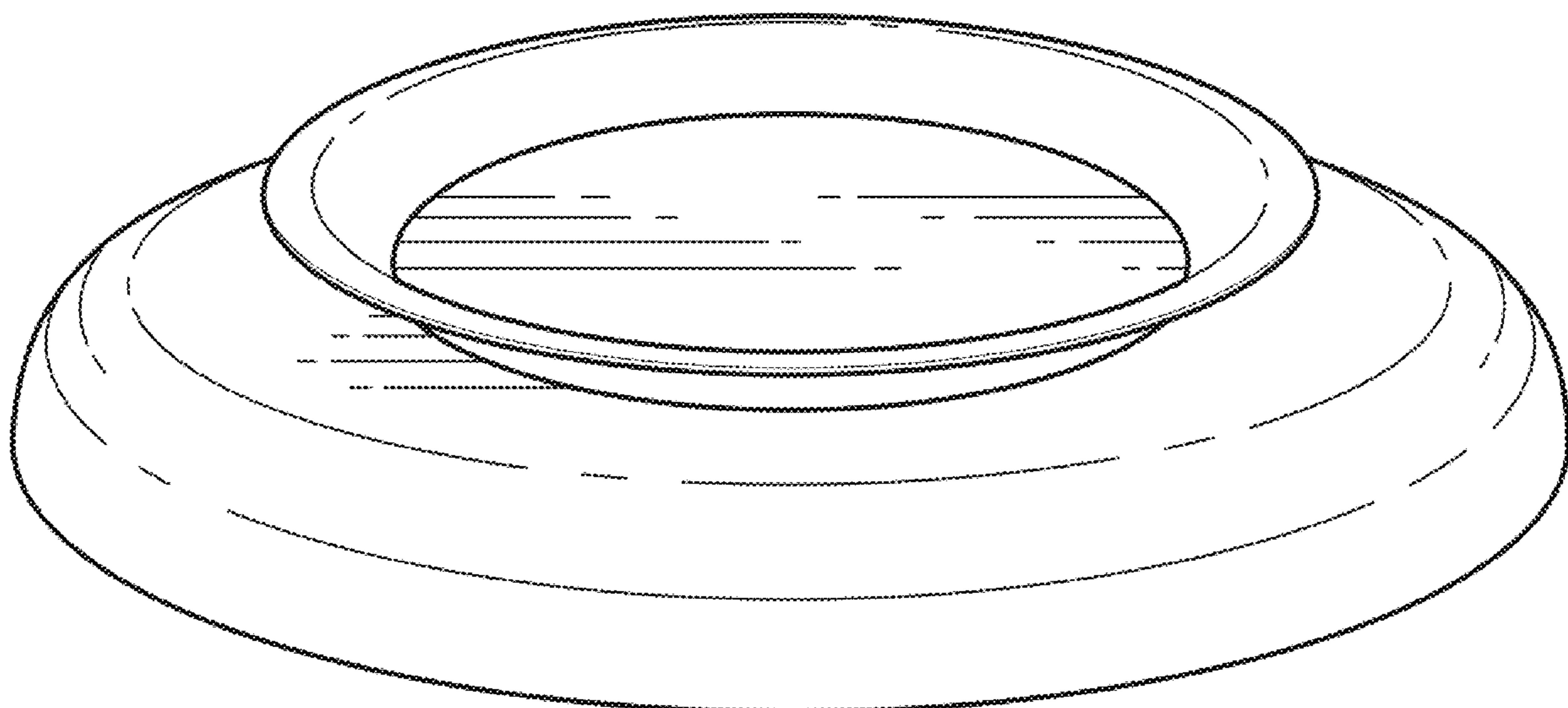
(57) **CLAIM**

The ornamental design for a flying disk with pet grasping lip, as shown and described.

DESCRIPTION

FIG. 1 is a perspective view of a flying disk with pet grasping lip assembly, showing my new design; FIG. 2 is a front elevational view thereof, the rear elevational view, left-side elevational view, and the right-side elevational view all being identical thereto; FIG. 3 is a top plan view thereof; FIG. 4 is a bottom plan view thereof; and, FIG. 5 is a cross-sectional view thereof, taken along line 5-5 of FIG. 3.

1 Claim, 3 Drawing Sheets



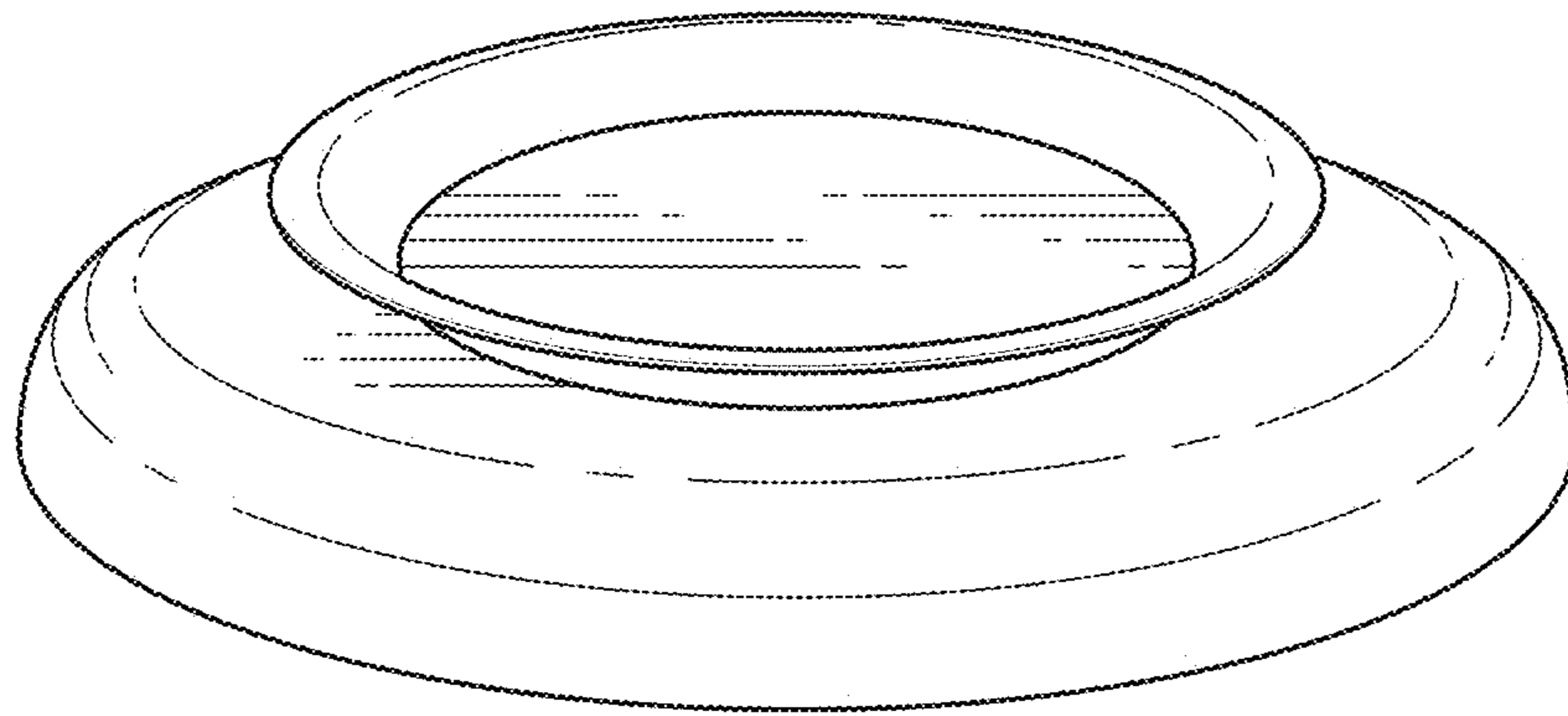


FIG. 1

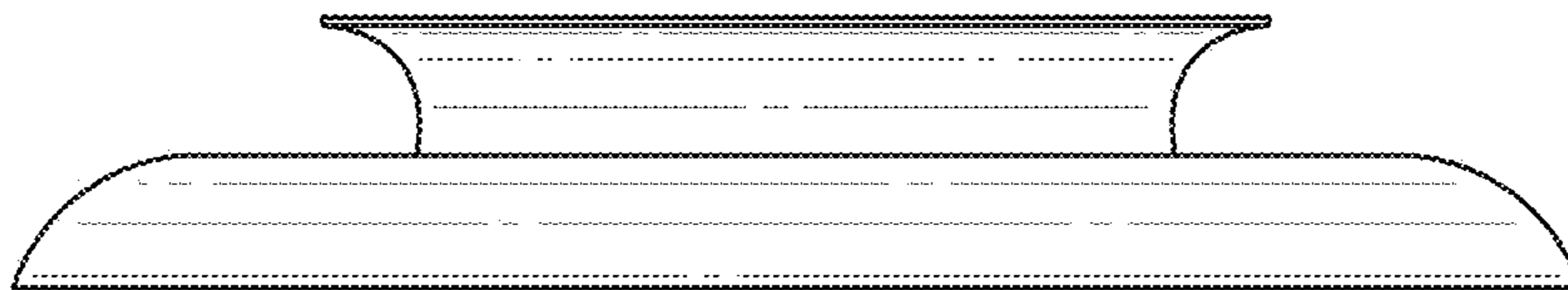


FIG. 2

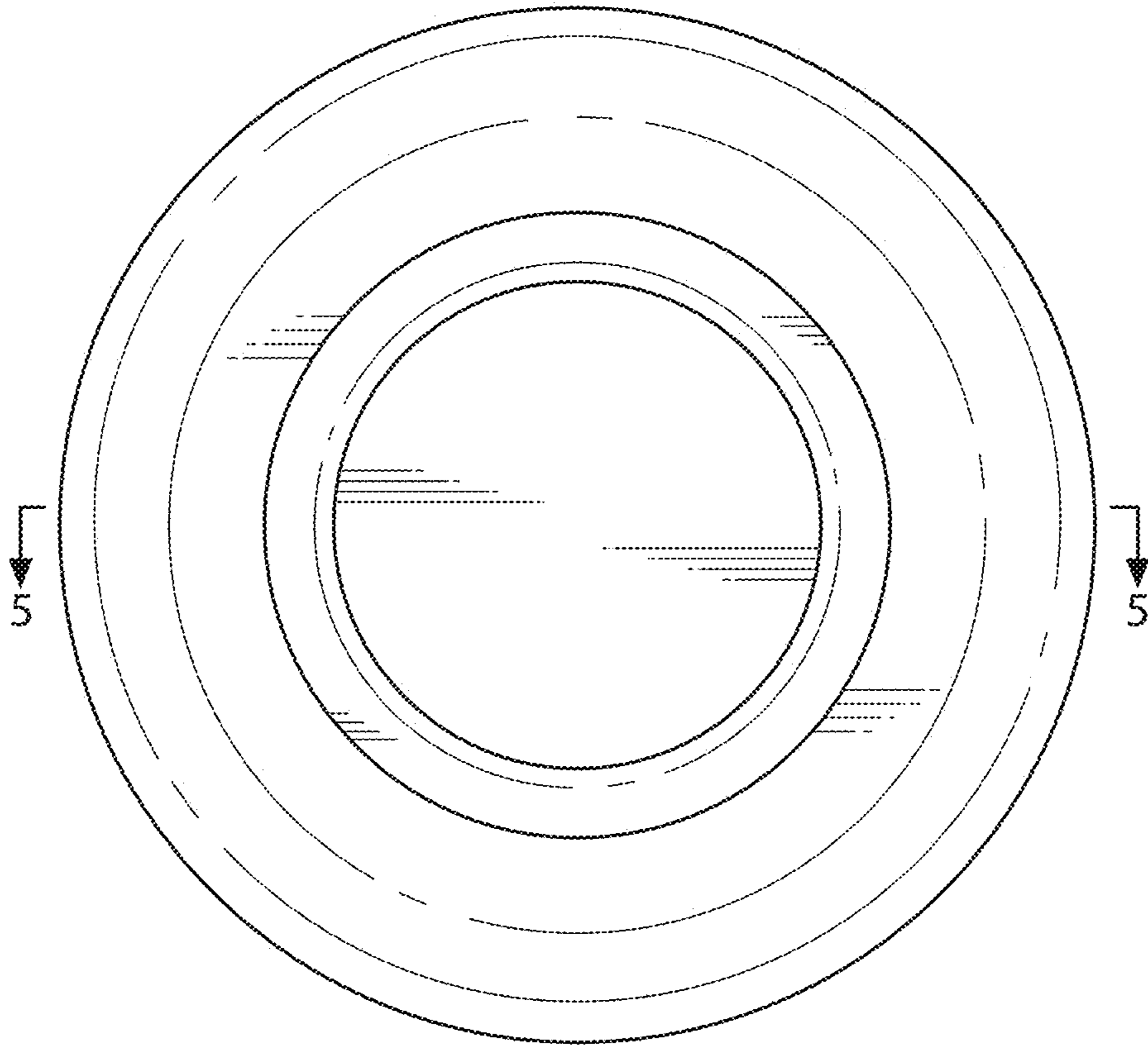


FIG. 3



FIG. 4



FIG. 5