



US00D929669S

(12) **United States Design Patent** (10) **Patent No.:** **US D929,669 S**
Purvis, Jr. (45) **Date of Patent:** **** Aug. 31, 2021**

(54) **GAME FEEDER**

(71) Applicant: **Jerry G. Purvis, Jr.**, Adel, GA (US)

(72) Inventor: **Jerry G. Purvis, Jr.**, Adel, GA (US)

(**) Term: **15 Years**

(21) Appl. No.: **29/735,489**

(22) Filed: **May 21, 2020**

Related U.S. Application Data

(63) Continuation of application No. 16/257,058, filed on Jan. 24, 2019.

(51) **LOC (13) Cl.** **30-03**

(52) **U.S. Cl.**
USPC **D30/121**

(58) **Field of Classification Search**

USPC D30/133, 121, 122, 124, 127, 128, 132,
D30/131, 114, 119; 119/51.01, 61, 51.04,
119/53, 57.91, 54, 53.5, 52.4, 51.11, 63,
119/61.2, 52.1, 57.5, 57.6, 51.13, 62, 75,
119/500, 501, 521, 57.92, 59, 51.12, 57.1,
119/56.1, 57; 239/7, 687, 379, 397.5;
222/199, 181.1, 181.2, 185.1, 557, 156,
222/485, 486, 548, 555; 220/200, 227,
220/247, 262; 221/174, 185.1, 289, 295,
221/296, 559; 454/35; 209/270, 283,
209/244; 52/194, 192; 49/279, 344, 357;
D34/28

CPC A01K 5/0225; A01K 5/00; A01K 5/02;
A01K 5/01; A01K 5/0291; A01K 5/0266;
A01K 5/0275; A01K 5/0283; A01K
39/00; A01K 39/01; A01K 39/0113;
A01K 39/012; A01K 39/0125; A01K
39/014; B28C 7/0046; B65D 90/14;
B65D 88/52; B65D 88/30; A01C 17/005;
A01C 17/006; Y10T 74/19721; Y10T
74/2063

See application file for complete search history.

(56) **References Cited**

U.S. PATENT DOCUMENTS

3,195,508 A *	7/1965	Lehman	A01K 5/0291 119/51.11
3,730,142 A *	5/1973	Kahrs	A01K 61/80 119/54
4,538,548 A *	9/1985	Page	A01K 5/0225 119/52.1
4,945,859 A *	8/1990	Churchwell	A01K 5/0275 119/54
4,986,220 A *	1/1991	Reneau	A01K 5/02 119/57.91
5,143,289 A *	9/1992	Gresham	A01K 5/0291 239/7
5,862,777 A *	1/1999	Sweeney	A01K 39/014 119/57.91
6,082,300 A *	7/2000	Futch	A01K 5/02 119/51.11

(Continued)

Primary Examiner — Susan Moon Lee

(74) *Attorney, Agent, or Firm* — Schonauer Law LLC

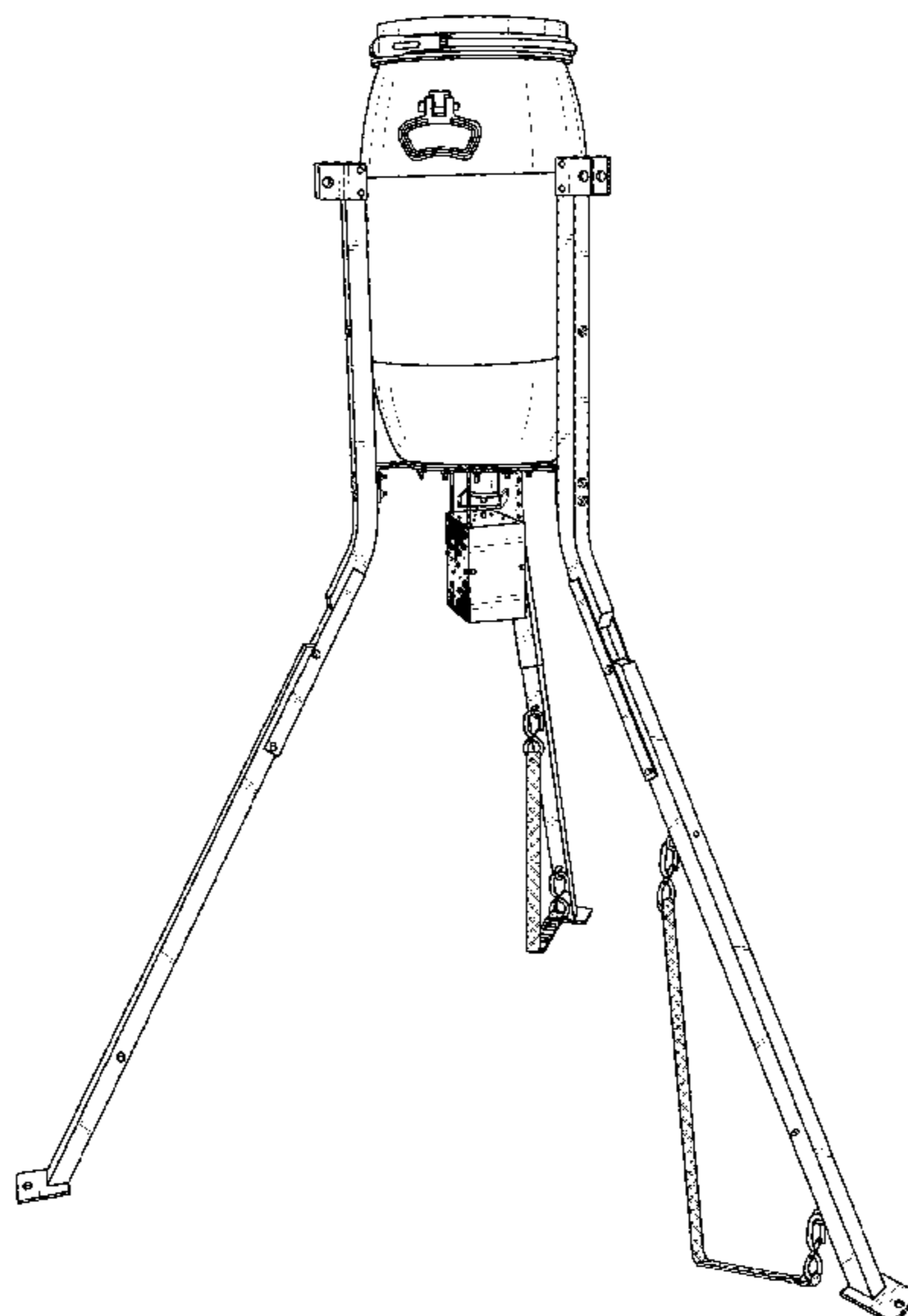
(57) **CLAIM**

I claim the ornamental design for a game feeder, as shown and described.

DESCRIPTION

FIG. 1 is an elevated front perspective view of a game feeder in accordance with the present design;
FIG. 2 is a front elevation view thereof;
FIG. 3 is a rear elevation view thereof;
FIG. 4 is left side elevation view thereof;
FIG. 5 is a right side elevation view thereof;
FIG. 6 is a top plan view thereof;
FIG. 7 is a bottom plan view thereof; and,
FIG. 8 is an elevated front perspective view of the game feeder in folded mode configuration for transport or storage.

1 Claim, 8 Drawing Sheets



US D929,669 S

(56)

References Cited

U.S. PATENT DOCUMENTS

6,510,813	B1 *	1/2003	Boone, Jr.	A01K 5/0225	119/57.91	10,653,110	B2 *	5/2020	Pfeiff	A01K 5/0291
6,622,653	B1 *	9/2003	Starnes, Jr.	A01K 5/01	119/51.01	10,653,111	B2 *	5/2020	Alcoser	A01K 5/0225
D507,079	S *	7/2005	Drum		119/57.91	2003/0019437	A1 *	1/2003	Fore	A01K 5/0225
6,990,925	B2	1/2006	Banks et al.							119/57.92
7,028,635	B1 *	4/2006	Eastman, II	A01K 5/0225	119/51.11	2005/0076843	A1	4/2005	Ansaldo	
D543,666	S *	5/2007	Ross	D30/133		2005/0284381	A1 *	12/2005	Bell	A01K 5/02
7,314,406	B2 *	1/2008	Bilinovich	A01K 5/00	452/185					119/51.02
7,331,308	B1	2/2008	Smith			2006/0048712	A1 *	3/2006	Boyer	A01K 5/0225
7,370,605	B2 *	5/2008	Meritt	A01K 1/10	119/51.01					119/57.91
7,523,717	B2 *	4/2009	Nicholes	A01K 5/0225	119/51.01	2012/0085288	A1 *	4/2012	Salinas	A01K 5/0291
7,780,027	B2 *	8/2010	Coady	A01K 5/0225	220/23.86					119/51.02
7,798,098	B1 *	9/2010	Patterson	A01K 5/0225	119/51.11	2012/0085289	A1 *	4/2012	Quiring	A01K 5/0225
8,096,265	B1 *	1/2012	Wisecarver	A01K 5/0225	119/57.1					119/57.91
D691,770	S *	10/2013	Woller	D30/121		2013/0180456	A1 *	7/2013	Whitsett	A01K 5/02
8,631,764	B2 *	1/2014	Quiring	A01K 5/0225	119/57.91					119/57.92
8,689,737	B2 *	4/2014	Gates	A01K 5/0225	119/53	2013/0186342	A1 *	7/2013	Salinas	A01K 5/02
8,833,303	B1 *	9/2014	Linder	A01K 5/0225	119/57.91					119/51.11
8,833,304	B2 *	9/2014	Whitsett	A01K 5/02	119/57.92	2014/0069339	A1 *	3/2014	Dettore	A01K 5/0225
9,173,377	B2 *	11/2015	Morris	A01K 5/0291						119/61.2
9,204,619	B2 *	12/2015	Gates	A01K 5/0225		2014/0174368	A1 *	6/2014	Salinas	A01K 5/0291
D747,562	S *	1/2016	Alford	D30/121						119/51.11
9,414,569	B2 *	8/2016	Romero	A01K 5/02		2015/0047568	A1 *	2/2015	Morris	A01K 5/0225
9,462,783	B2 *	10/2016	Gates	A01K 5/0225						119/51.11
9,655,342	B2	5/2017	Christie			2015/0122187	A1 *	5/2015	Nelson	A01K 39/014
9,700,014	B1 *	7/2017	Bogart	A01K 5/0225						119/57.91
9,877,461	B2 *	1/2018	Nelson	A01K 39/014		2015/0272079	A1 *	10/2015	Evans	A01K 5/0225
D825,114	S *	8/2018	Robbins	D30/121						119/51.01
10,342,212	B2 *	7/2019	Nelson	A01K 5/0225		2015/0327510	A1 *	11/2015	Romero	A01K 7/02
10,542,728	B2 *	1/2020	Young	A01K 5/0291						119/51.11
						2015/0366162	A1	12/2015	Collins	
						2016/0316717	A1 *	11/2016	Romero	A01K 5/02
						2017/0006825	A1	1/2017	Knight	
						2017/0035023	A1 *	2/2017	Teinert	A01K 5/0225
						2017/0071153	A1 *	3/2017	Stanley	A01K 5/01
						2017/0105388	A1 *	4/2017	Pfeiff	A01K 5/0291
						2017/0196197	A1 *	7/2017	Romero	A01K 5/02
						2017/0280677	A1 *	10/2017	Young	A01K 5/0291
						2018/0077898	A1 *	3/2018	Winn	A01K 5/025
						2018/0116173	A1 *	5/2018	Nelson	A01K 5/0225
						2018/0184617	A1 *	7/2018	Kohler	A01M 31/008
						2018/0279579	A1 *	10/2018	Alcoser	A01K 5/0225
						2018/0300662	A1 *	10/2018	Lauve, IV	A01K 5/0291
						2019/0090473	A1 *	3/2019	West	A01K 5/0225
						2020/0267933	A1 *	8/2020	Pfeiff	A01M 31/002

* cited by examiner

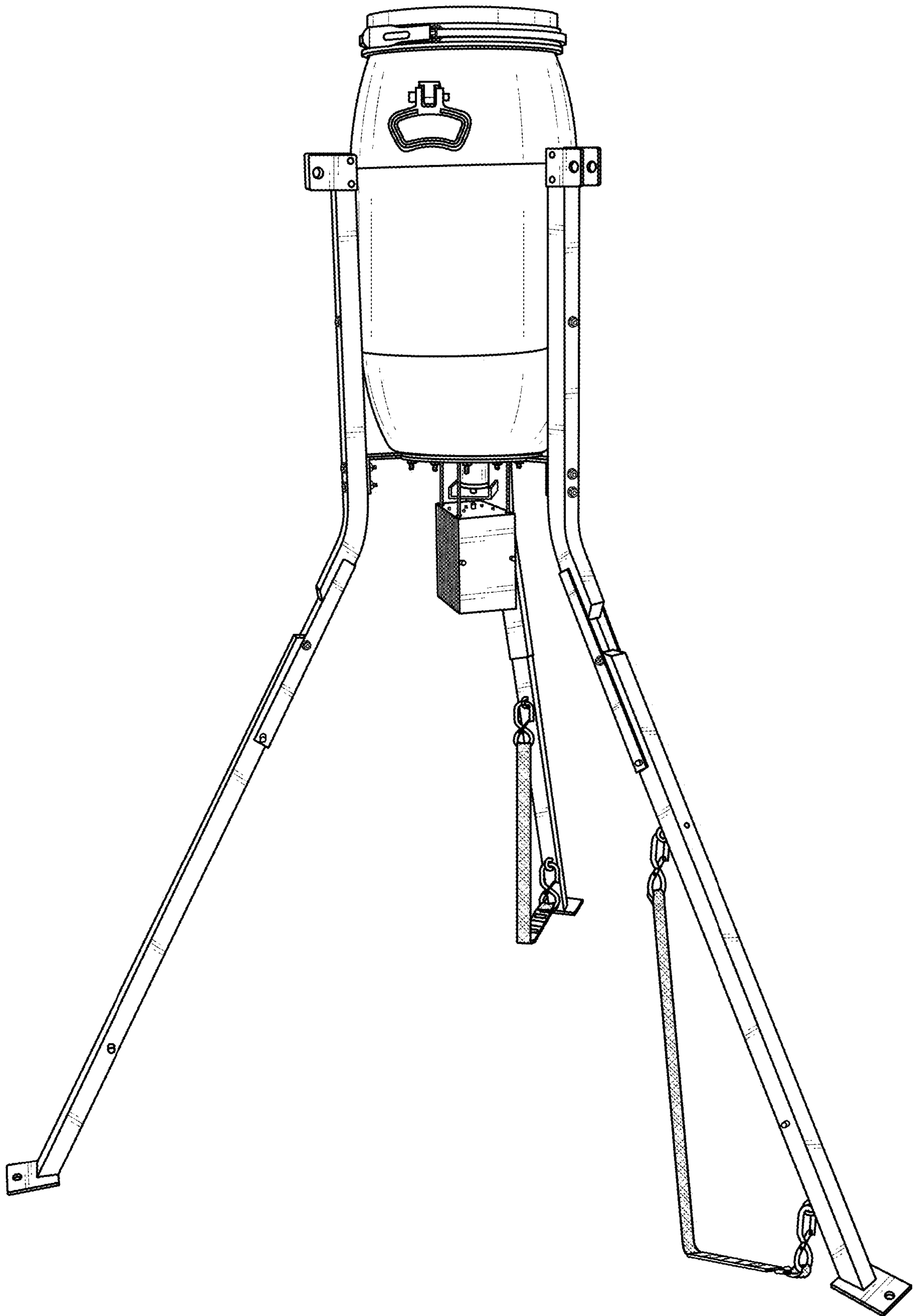


FIG. 1

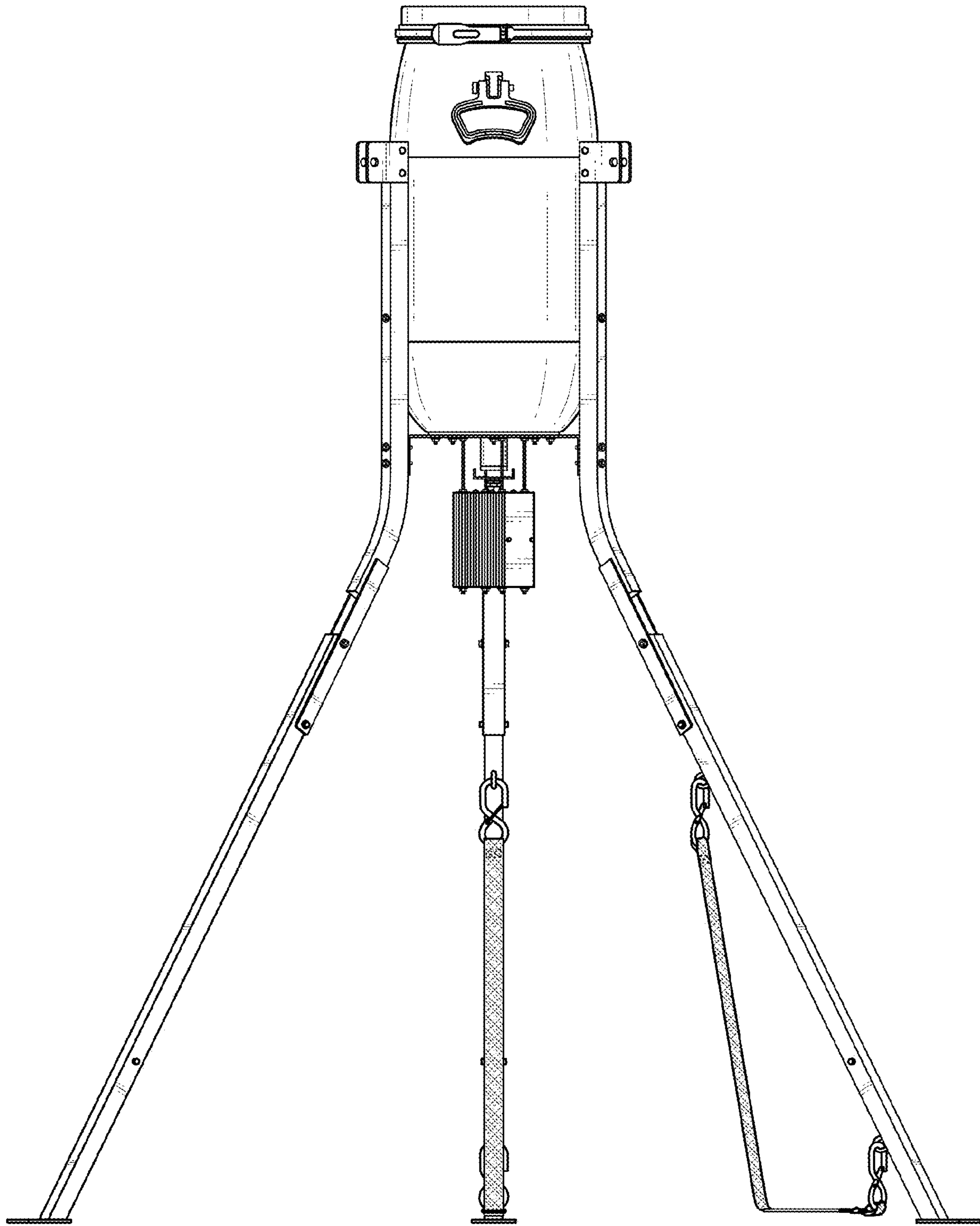


FIG. 2

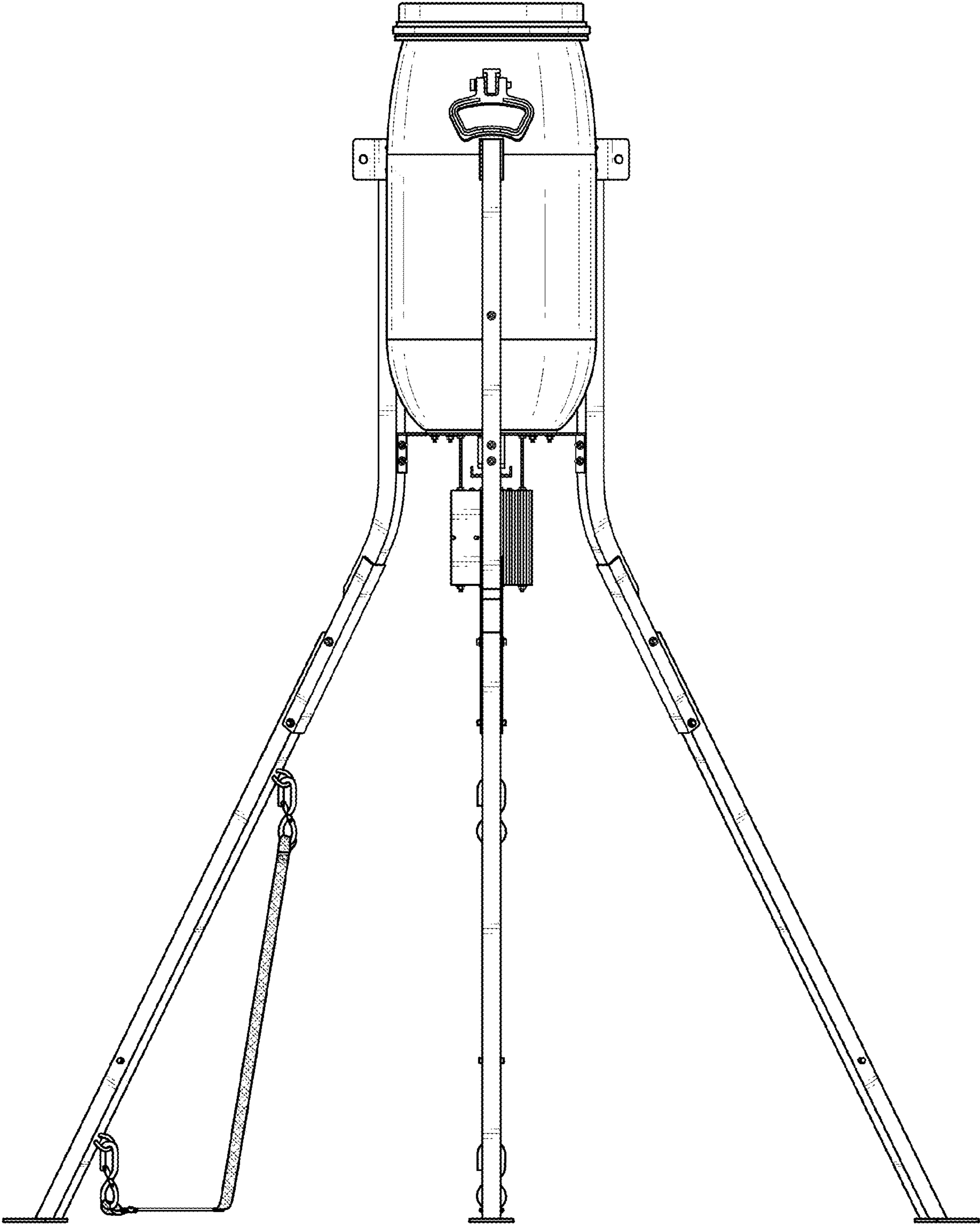


FIG. 3

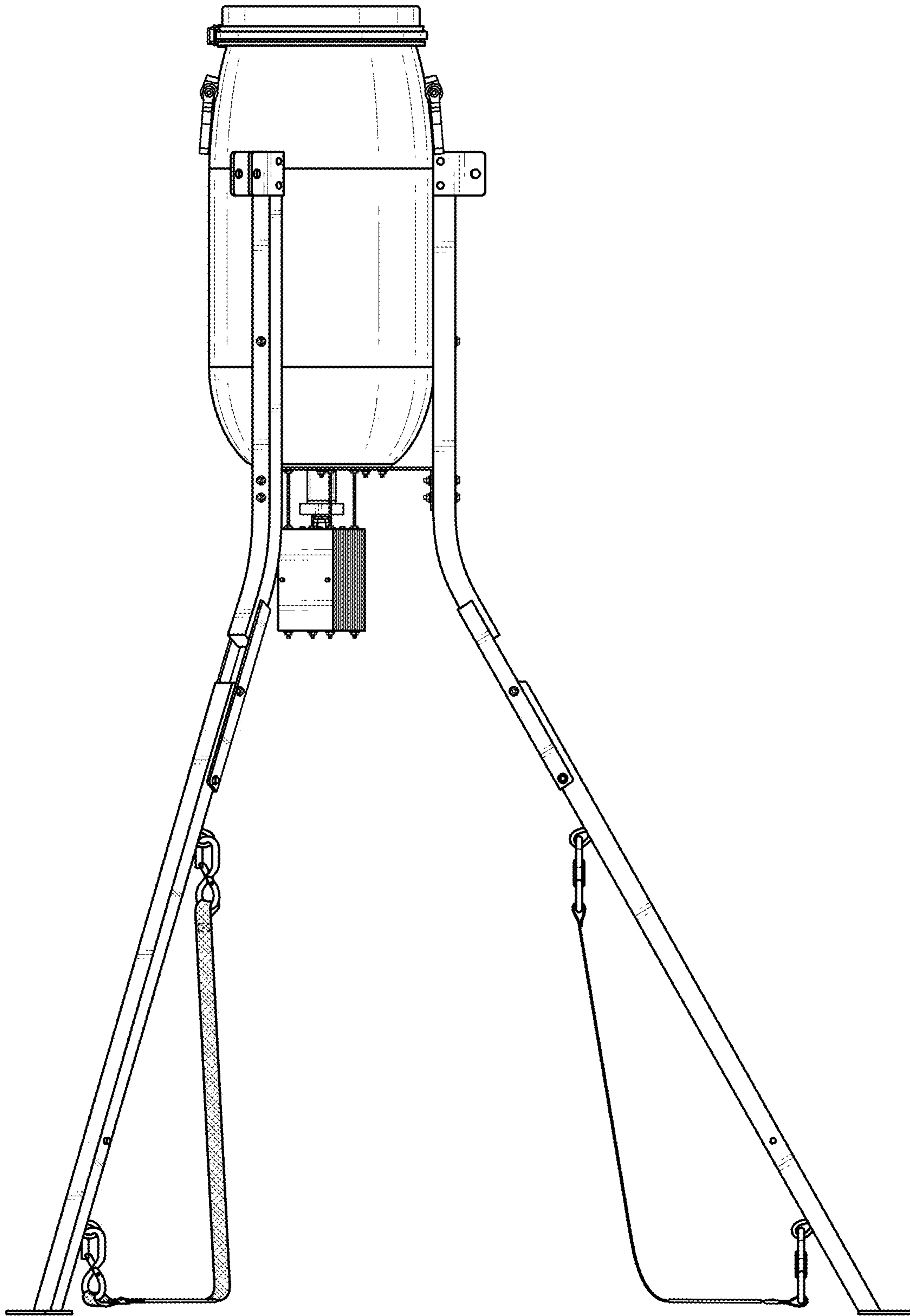


FIG. 4

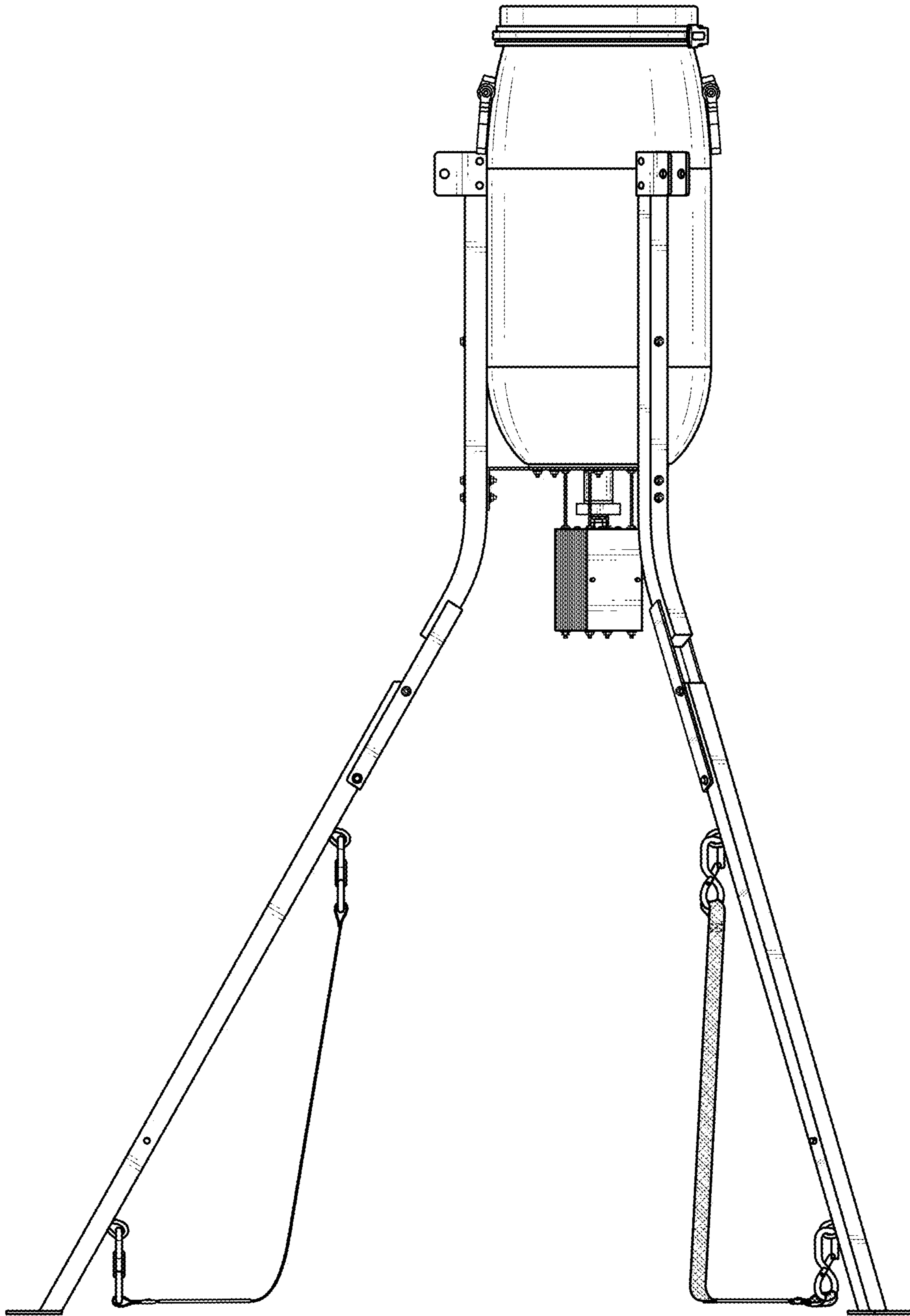


FIG. 5

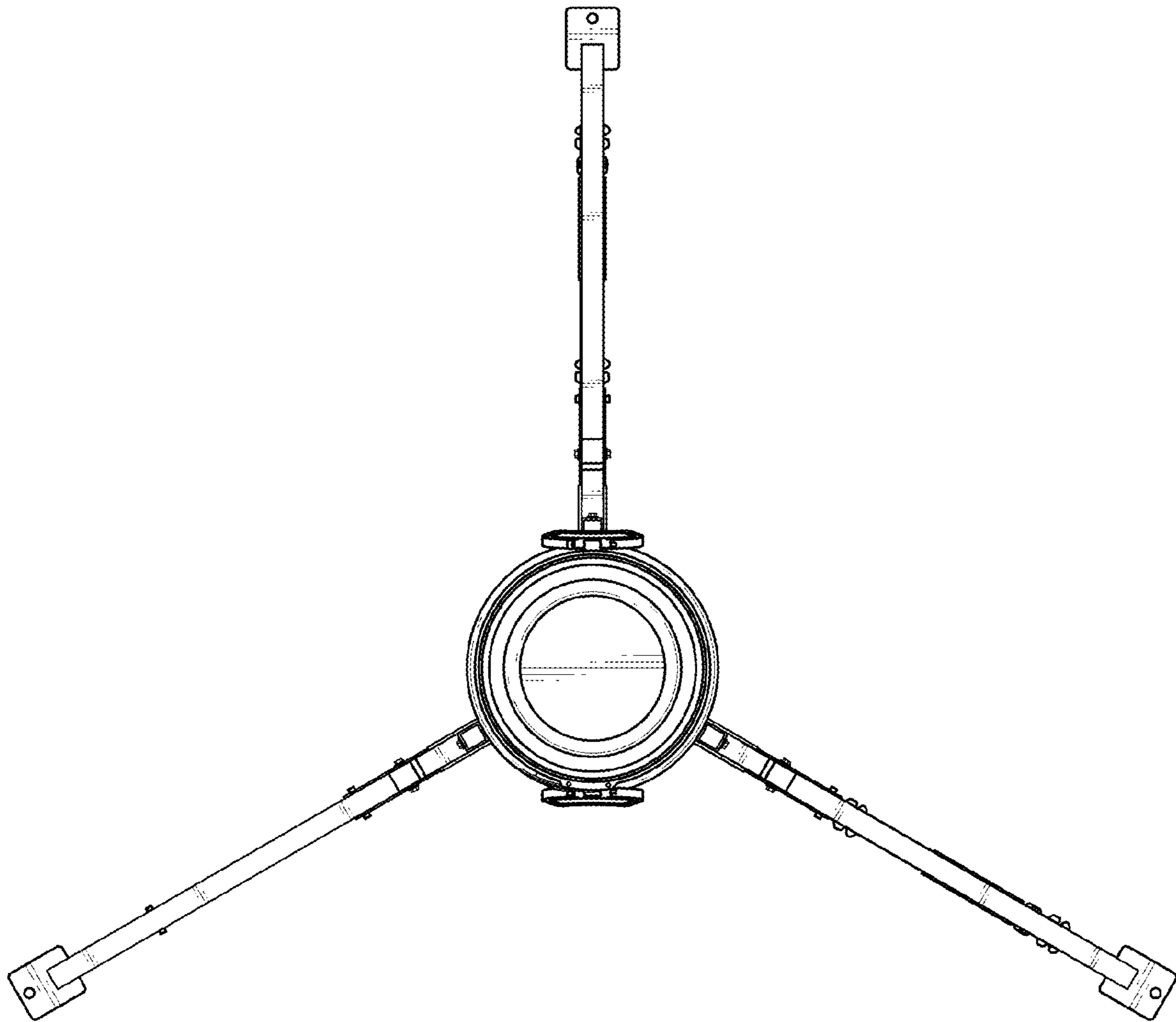


FIG. 6

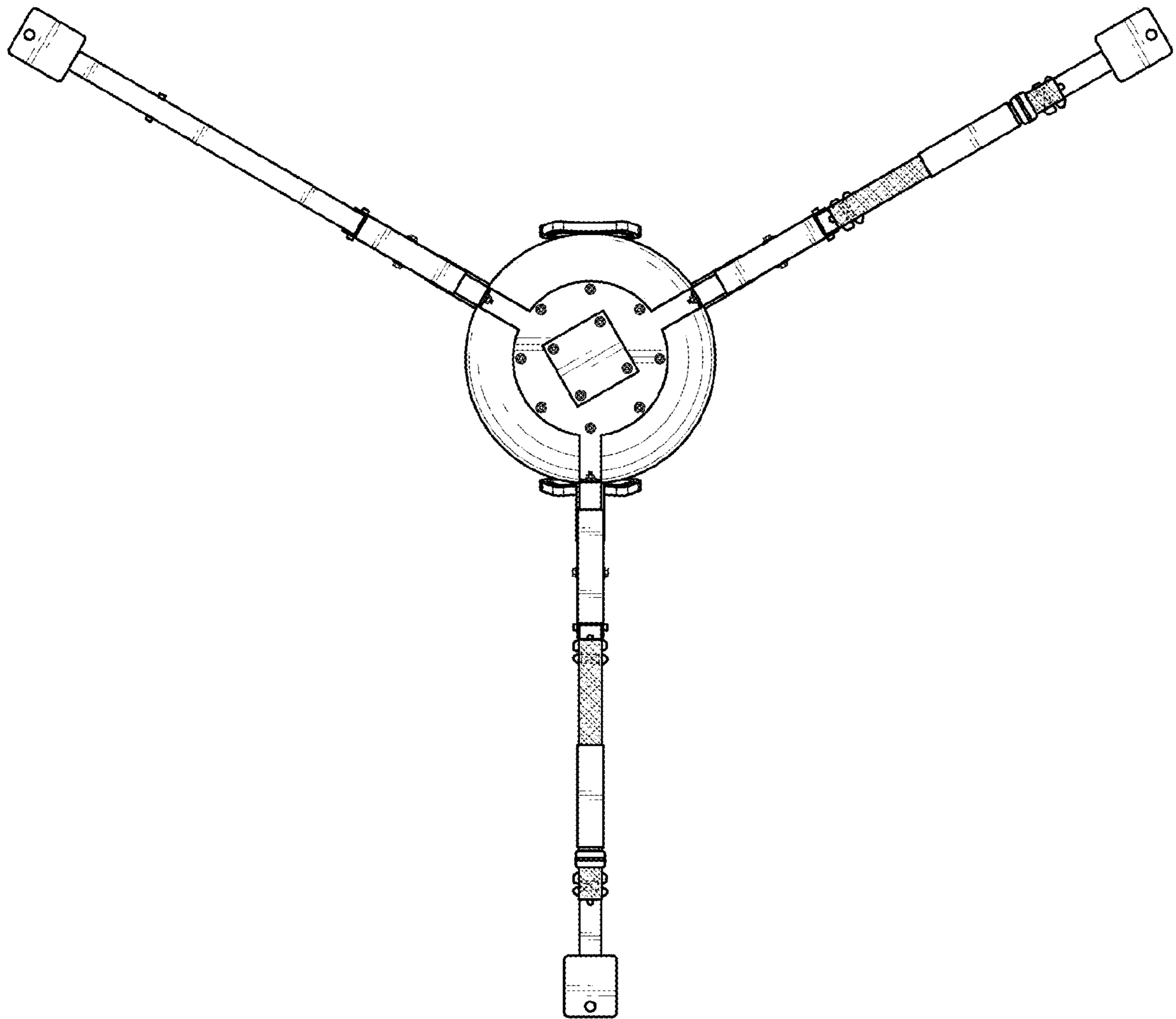


FIG. 7

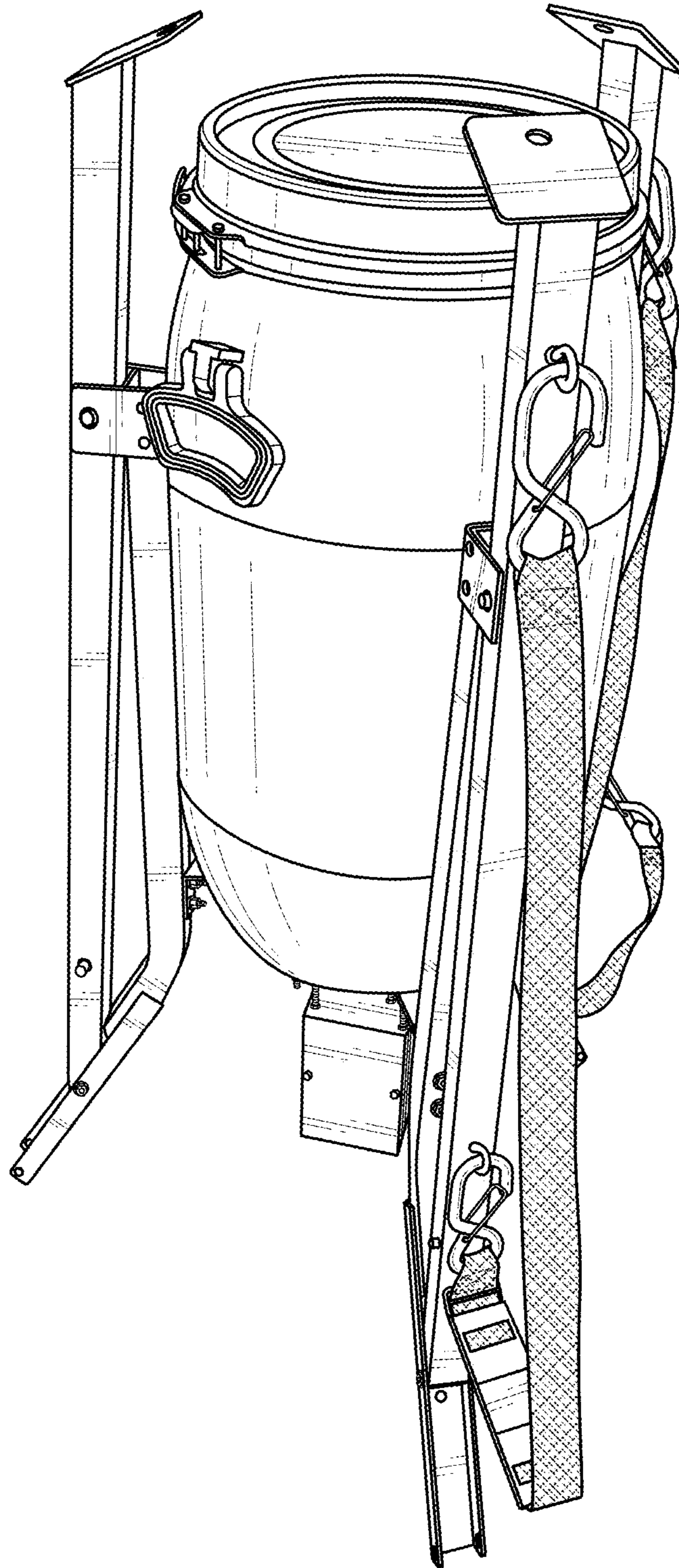


FIG. 8