



US00D929667S

(12) **United States Design Patent** (10) **Patent No.:** **US D929,667 S**
Silber (45) **Date of Patent:** **** Aug. 31, 2021**

(54) **PET SOFA**
(71) Applicant: **Metro Marketing Group, Inc.**, Tenafly, NJ (US)
(72) Inventor: **Fred Silber**, Tenafly, NJ (US)
(73) Assignee: **METRO MARKETING GROUP, INC.**, Tenafly, NJ (US)
(**) Term: **15 Years**
(21) Appl. No.: **29/687,796**
(22) Filed: **Apr. 16, 2019**
(51) **LOC (13) Cl.** **30-06**
(52) **U.S. Cl.**
USPC **D30/118**
(58) **Field of Classification Search**
USPC D30/118-119, 158, 160; D21/520;
D6/601, 349, 595-597, 604, 382
CPC A01K 1/00; A01K 1/0272; A01K 1/0353;
A01K 1/035
See application file for complete search history.

D591,913 S * 5/2009 Drew D30/118
8,316,482 B1 * 11/2012 Martin, III A47C 29/00
5/655
D676,683 S * 2/2013 Martin D6/381
D703,877 S * 4/2014 Popkin D30/118
D725,832 S * 3/2015 Coulter D30/118
D809,715 S * 2/2018 Song D30/118
D818,652 S * 5/2018 Song D30/118
D818,653 S * 5/2018 Song D30/118
D822,910 S * 7/2018 Pelz D30/118
D822,911 S * 7/2018 Menayan D30/118
2014/0230735 A1 * 8/2014 Coulter A01K 1/0353
119/28.5
2017/0258036 A1 * 9/2017 Galloway A01K 1/0353
* cited by examiner

Primary Examiner — Aula Soroush
(74) *Attorney, Agent, or Firm* — Gerald E. Hespos;
Michael J. Porco; Matthew T. Hespos

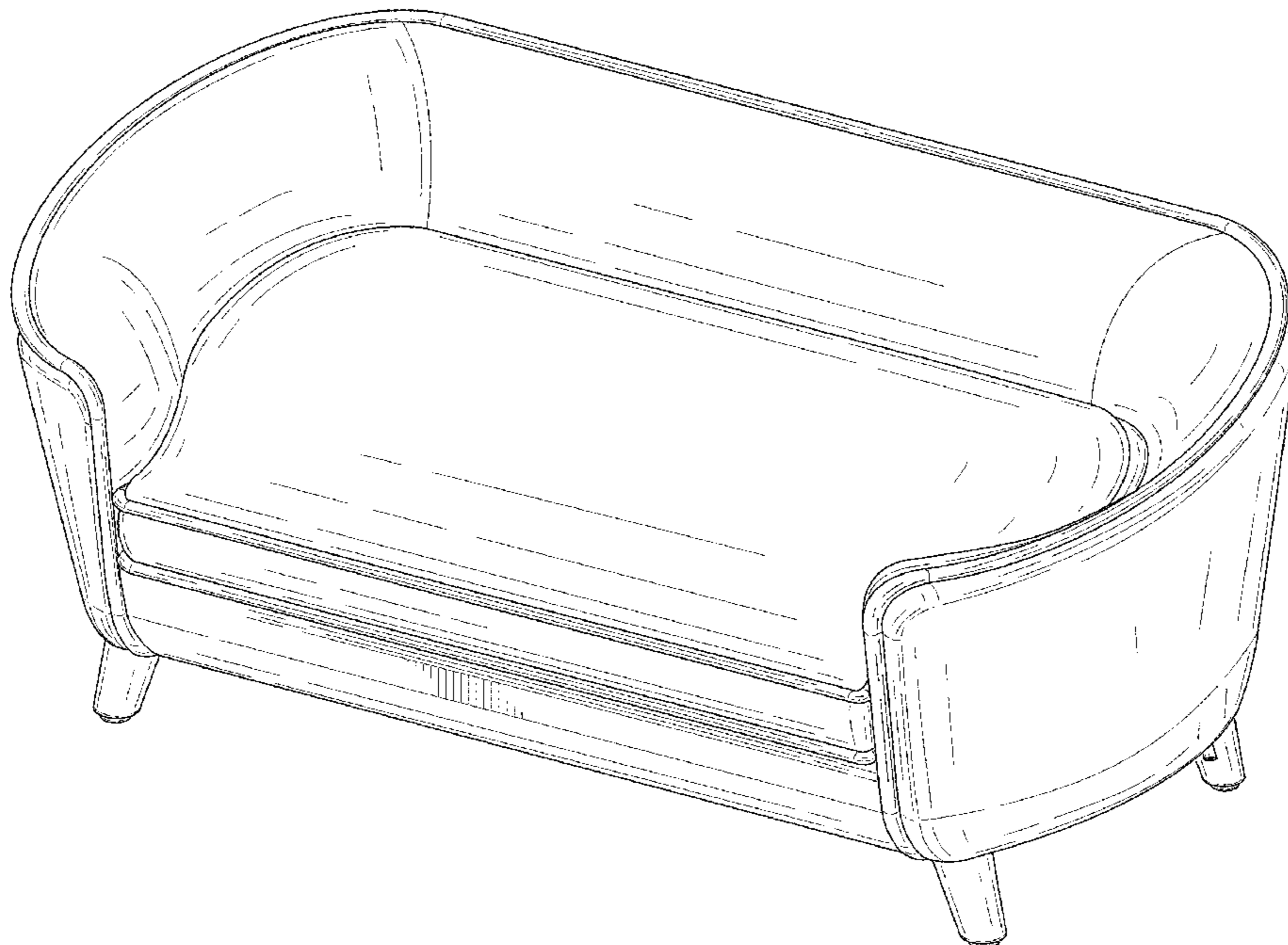
(57) **CLAIM**
The ornamental design for a pet sofa, as shown and described.

DESCRIPTION

FIG. 1 is a perspective view of a pet sofa in accordance with my design;
FIG. 2 is a front elevational view of the pet sofa of FIG. 1;
FIG. 3 is a rear elevational view thereof;
FIG. 4 is a side elevational view thereof taken from the left side of FIG. 1; and
FIG. 5 is a side elevational view thereof taken from the right side of FIG. 1;
FIG. 6 is a top plan view thereof; and,
FIG. 7 is a bottom plan view thereof.
The broken lines in the drawings illustrate portions of the pet sofa that form no part of the claimed design.

1 Claim, 6 Drawing Sheets

(56) **References Cited**
U.S. PATENT DOCUMENTS
D239,424 S * 4/1976 Offredi D6/381
D380,908 S * 7/1997 Gleason D6/334
D396,332 S * 7/1998 McMahon D30/118
5,784,995 A * 7/1998 Willinger A01K 1/0353
119/28.5
D427,731 S * 7/2000 Copple D30/118
D450,470 S * 11/2001 Perez D6/381
7,000,276 B2 * 2/2006 Chaffee A47C 4/54
5/654
D563,058 S * 2/2008 Lamstein D30/118
D572,936 S * 7/2008 Lester, Sr. D6/388



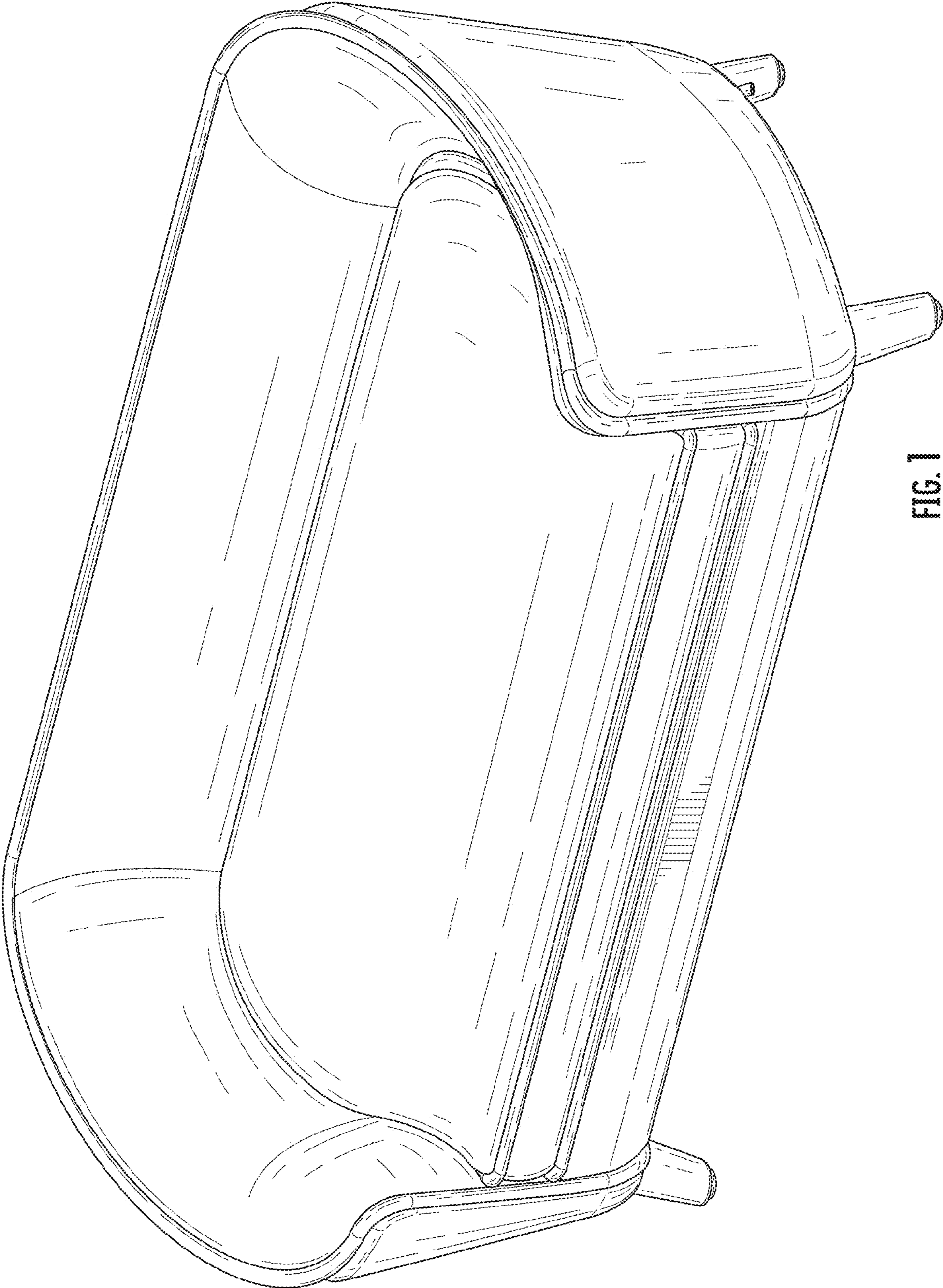


FIG. 1

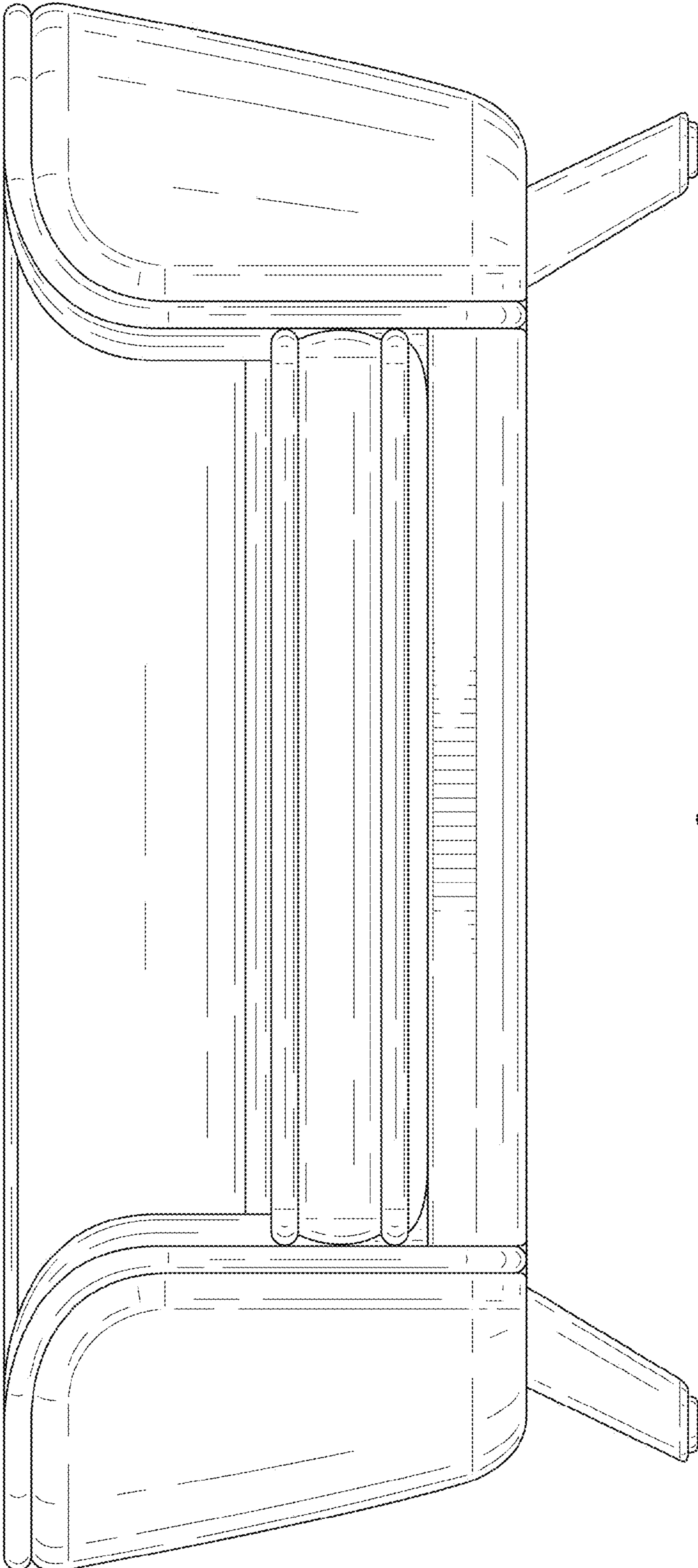


FIG. 2

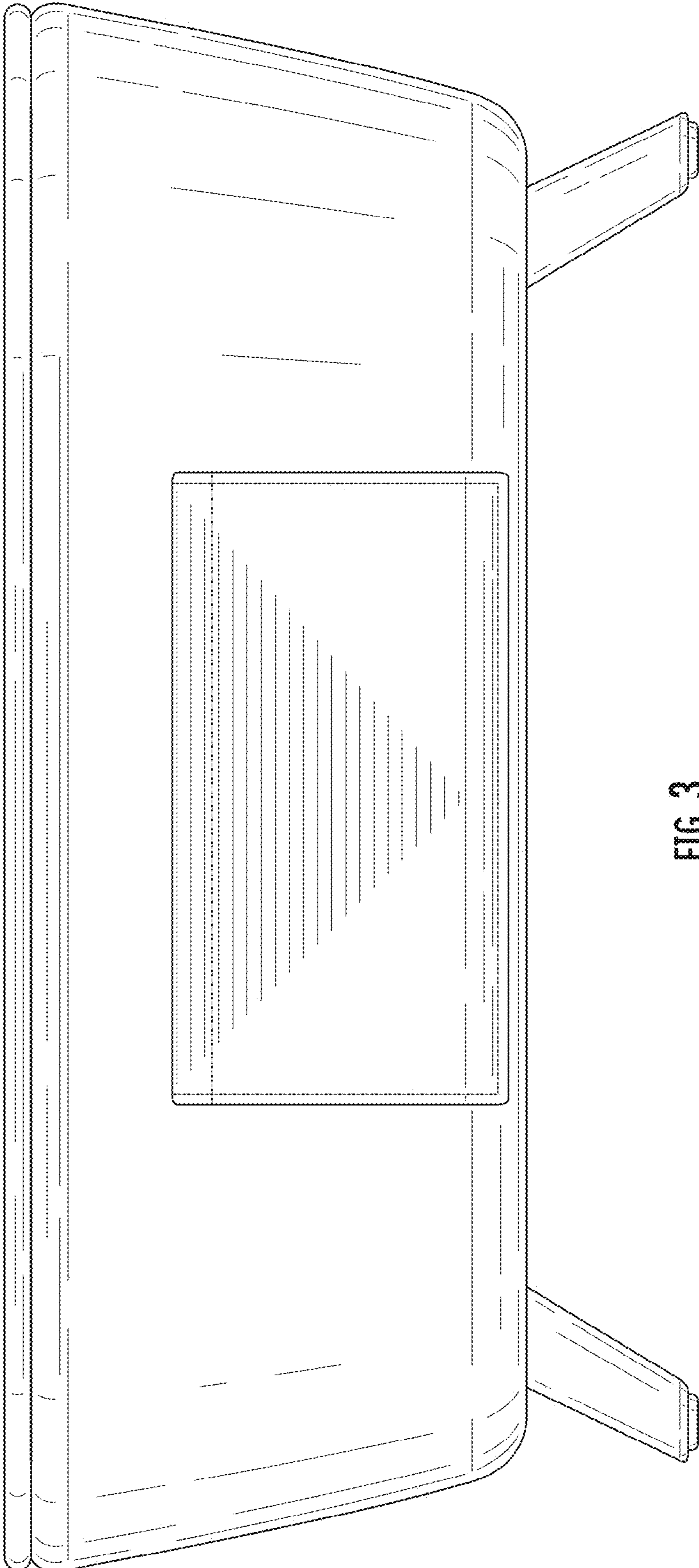
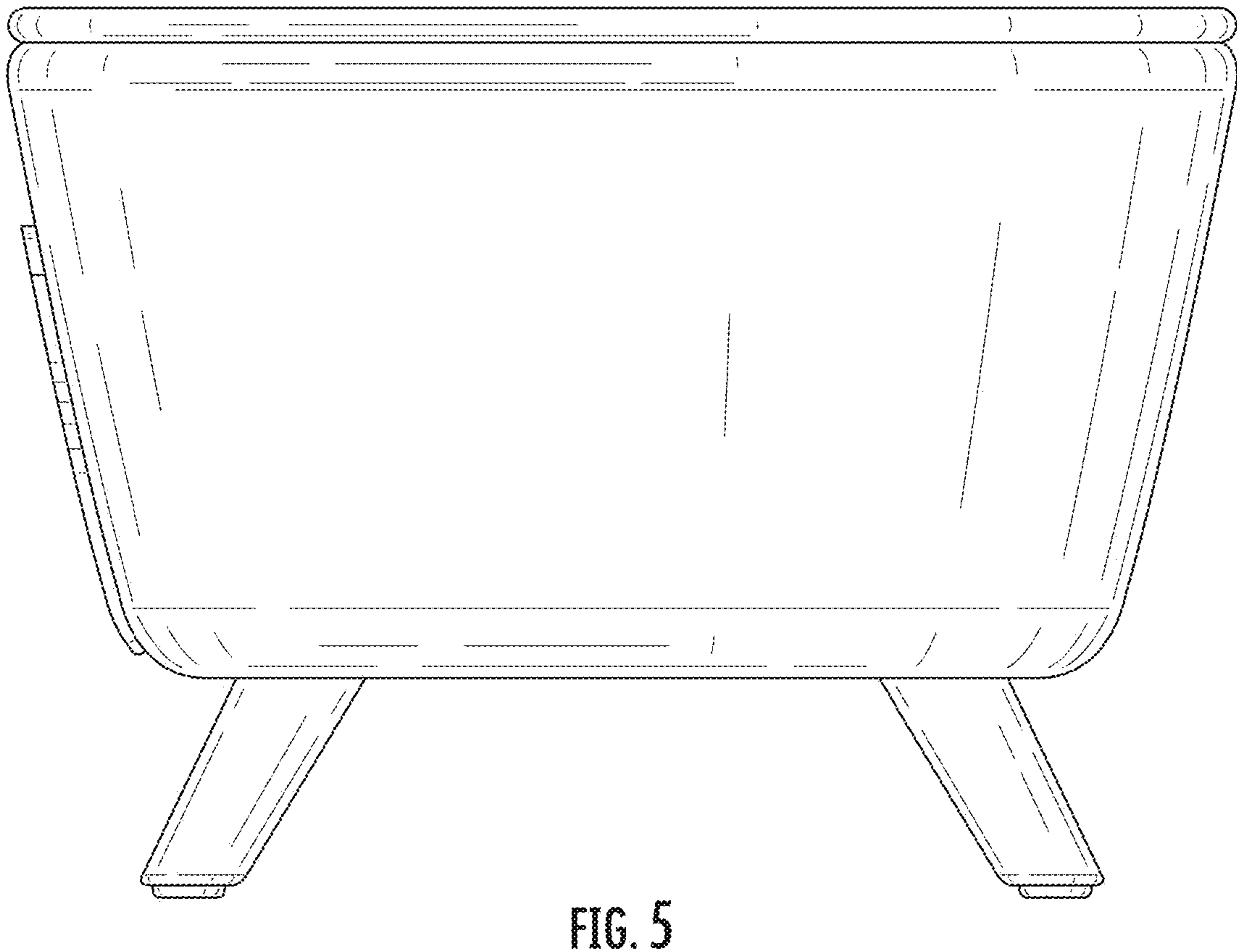
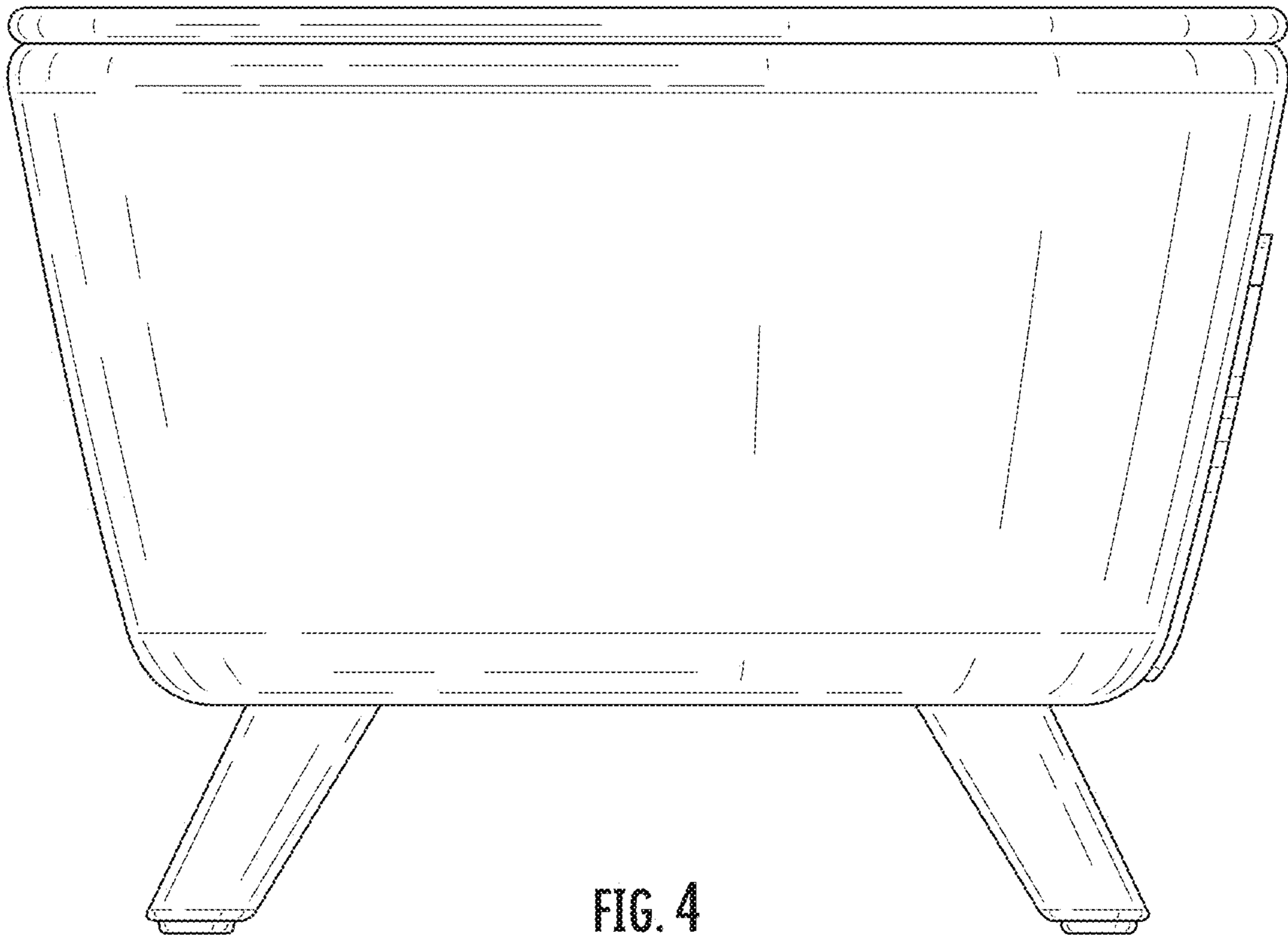


FIG. 3



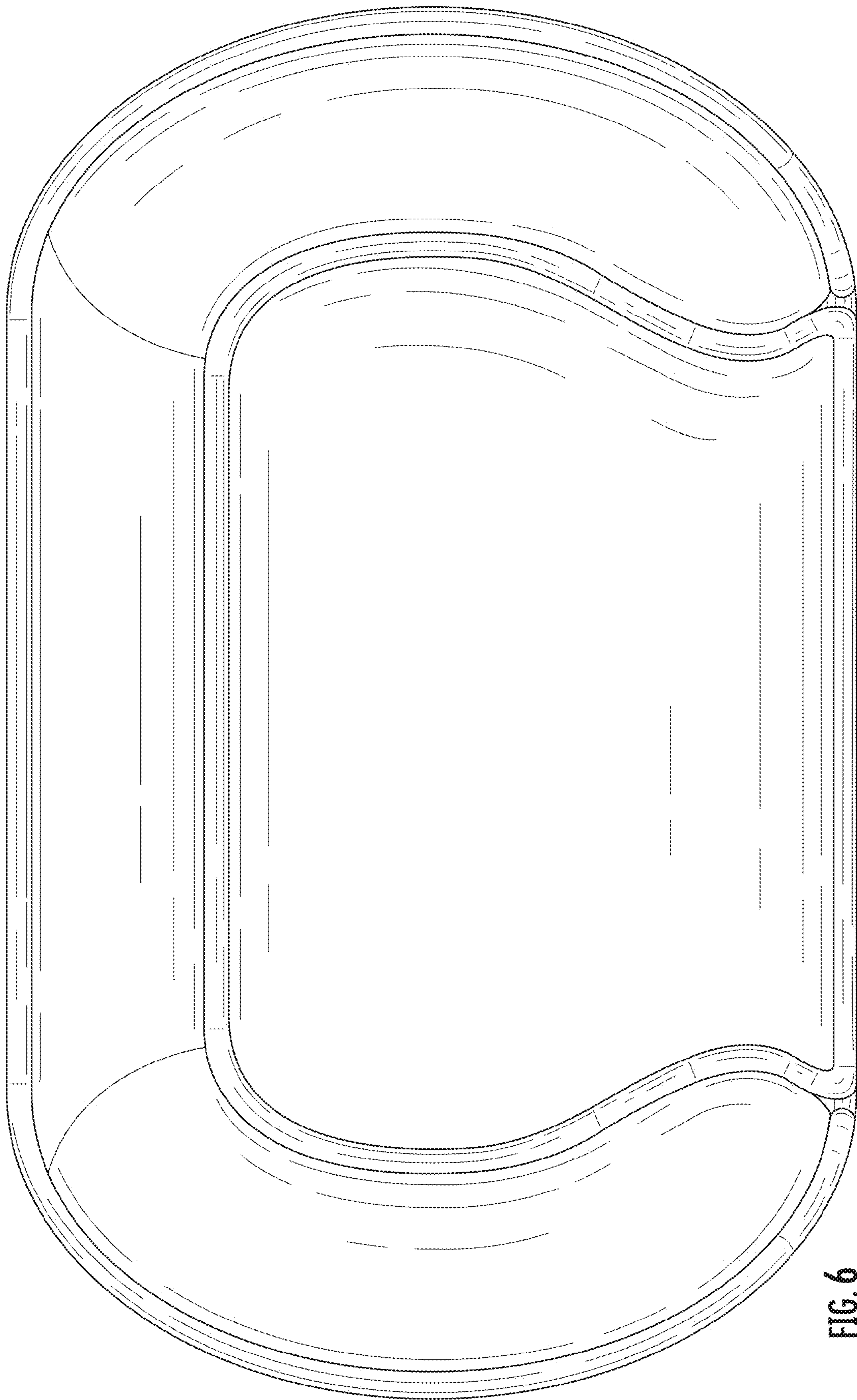


FIG. 6

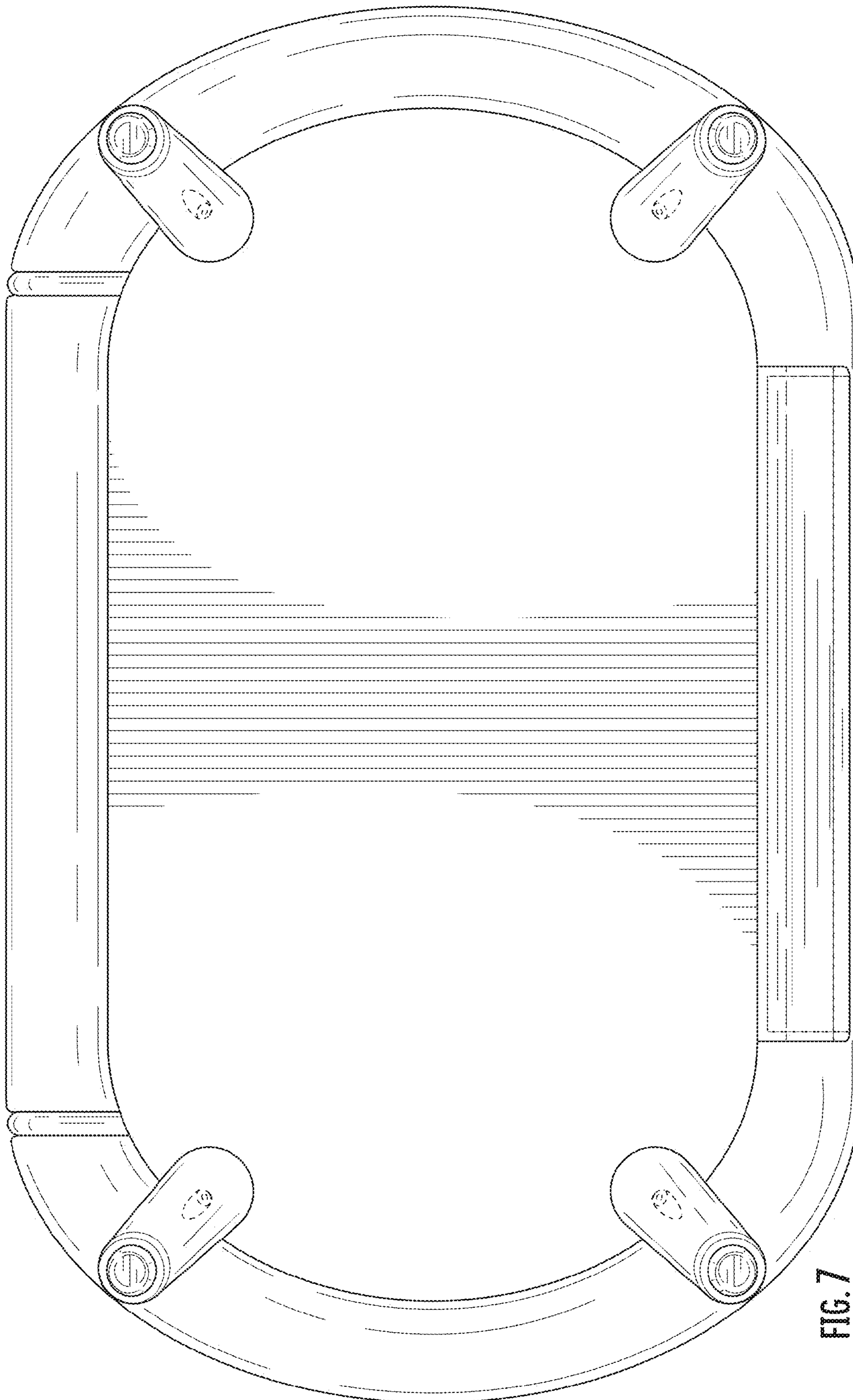


FIG. 7