



US00D929666S

(12) **United States Design Patent** (10) **Patent No.:** **US D929,666 S**
He (45) **Date of Patent:** **** Aug. 31, 2021**

- (54) **PET CARRIER**
- (71) Applicant: **SHENZHEN HUICHUANGYING PACKAGING MATERIALS CO., LTD.**, Shenzhen (CN)
- (72) Inventor: **Yan He**, Shenzhen (CN)
- (73) Assignee: **SHENZHEN HUICHUANGYING PACKAGING MATERIALS CO., LTD.**, Shenzhen (CN)
- (**) Term: **15 Years**
- (21) Appl. No.: **29/701,198**
- (22) Filed: **Aug. 9, 2019**
- (51) **LOC (13) Cl.** **30-02**
- (52) **U.S. Cl.**
USPC **D30/108**
- (58) **Field of Classification Search**
USPC D30/108–120; D3/221–232
CPC A01K 1/0035; A01K 1/0236; A01K 1/029;
A01K 1/034
See application file for complete search history.

- 8,171,888 B2 * 5/2012 Chou A01K 1/0254
119/497
- D662,263 S * 6/2012 Chau D30/109
- D671,317 S * 11/2012 Sabounjian D3/285
- D685,952 S * 7/2013 Dixon D30/109
- D688,457 S * 8/2013 Harris D3/285
- D688,458 S * 8/2013 Harris D3/285
- D698,150 S * 1/2014 Sabounjian D3/285
- D715,500 S * 10/2014 Renforth D30/109
- D722,728 S * 2/2015 Renforth D30/109
- D724,792 S * 3/2015 Renforth D30/109
- D732,824 S * 6/2015 Tzortzis D3/288
- 9,259,066 B2 * 2/2016 Pratt A45C 13/04
- D759,319 S * 6/2016 Chang D30/109
- D782,820 S * 4/2017 Thompson D3/283
- D798,589 S * 10/2017 Boroski D3/243
- D800,451 S * 10/2017 Collins D3/254
- D804,738 S * 12/2017 Nourollah D30/109
- D808,084 S * 1/2018 Lu D30/109
- 9,901,153 B2 * 2/2018 Nash A45F 3/04
- D818,204 S * 5/2018 Renforth D30/109
- 2008/0072837 A1 * 3/2008 Redzisz A01K 1/0254
119/474

(Continued)

Primary Examiner — Aula Soroush

(57) **CLAIM**

The ornamental design for a pet carrier, as shown and described.

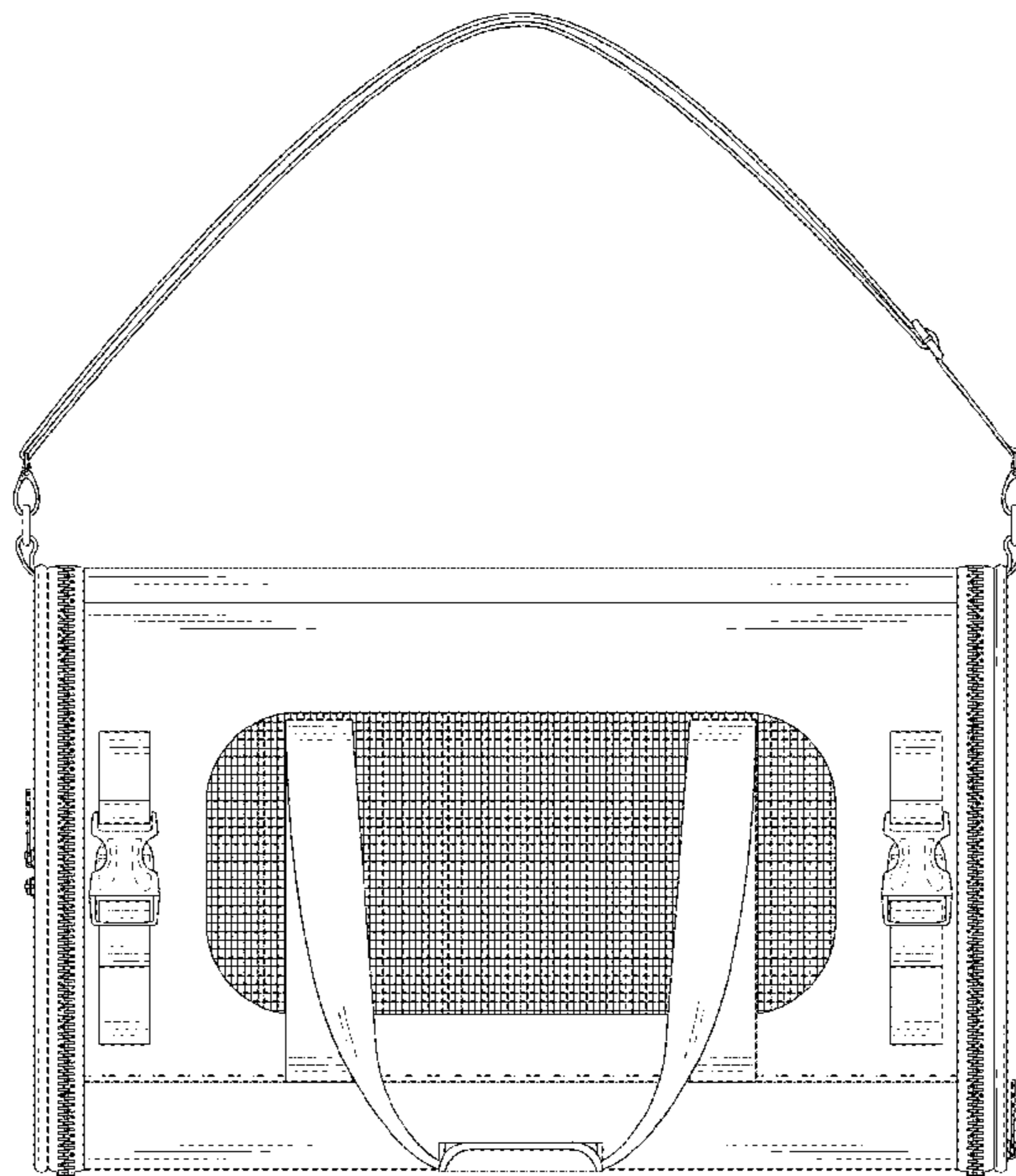
DESCRIPTION

FIG. 1 is a front elevational view thereof;
 FIG. 2 is a rear elevational view thereof;
 FIG. 3 is a left side elevational view thereof;
 FIG. 4 is a right side elevational view thereof;
 FIG. 5 is a top plan view thereof;
 FIG. 6 is a bottom plan view thereof; and,
 FIG. 7 is a perspective view thereof.
 The broken lines are for the purpose of illustrating portions of the pet carrier and form no part of the claimed design.

1 Claim, 7 Drawing Sheets

(56) **References Cited**
 U.S. PATENT DOCUMENTS

- D387,508 S * 12/1997 Van Engers D30/109
- D398,082 S * 9/1998 Martz D3/273
- D398,083 S * 9/1998 Martz D3/273
- 5,941,195 A * 8/1999 Martz A01K 1/0254
119/497
- D472,378 S * 4/2003 Hassett D3/263
- 7,210,426 B2 * 5/2007 Yeung A01K 1/0254
119/497
- D575,461 S * 8/2008 Cannon D3/273
- D620,708 S * 8/2010 Sanz D3/276
- D649,719 S * 11/2011 Siklosi D30/109



(56)

References Cited

U.S. PATENT DOCUMENTS

2009/0205578 A1* 8/2009 Alves A01K 1/0107
119/454
2011/0127132 A1* 6/2011 Fair A45C 13/02
190/110
2012/0186533 A1* 7/2012 Lu A01K 1/0254
119/497
2012/0267365 A1* 10/2012 Sabounjian A45C 13/02
220/6
2016/0101924 A1* 4/2016 Mitchell B65D 43/16
220/592.2

* cited by examiner

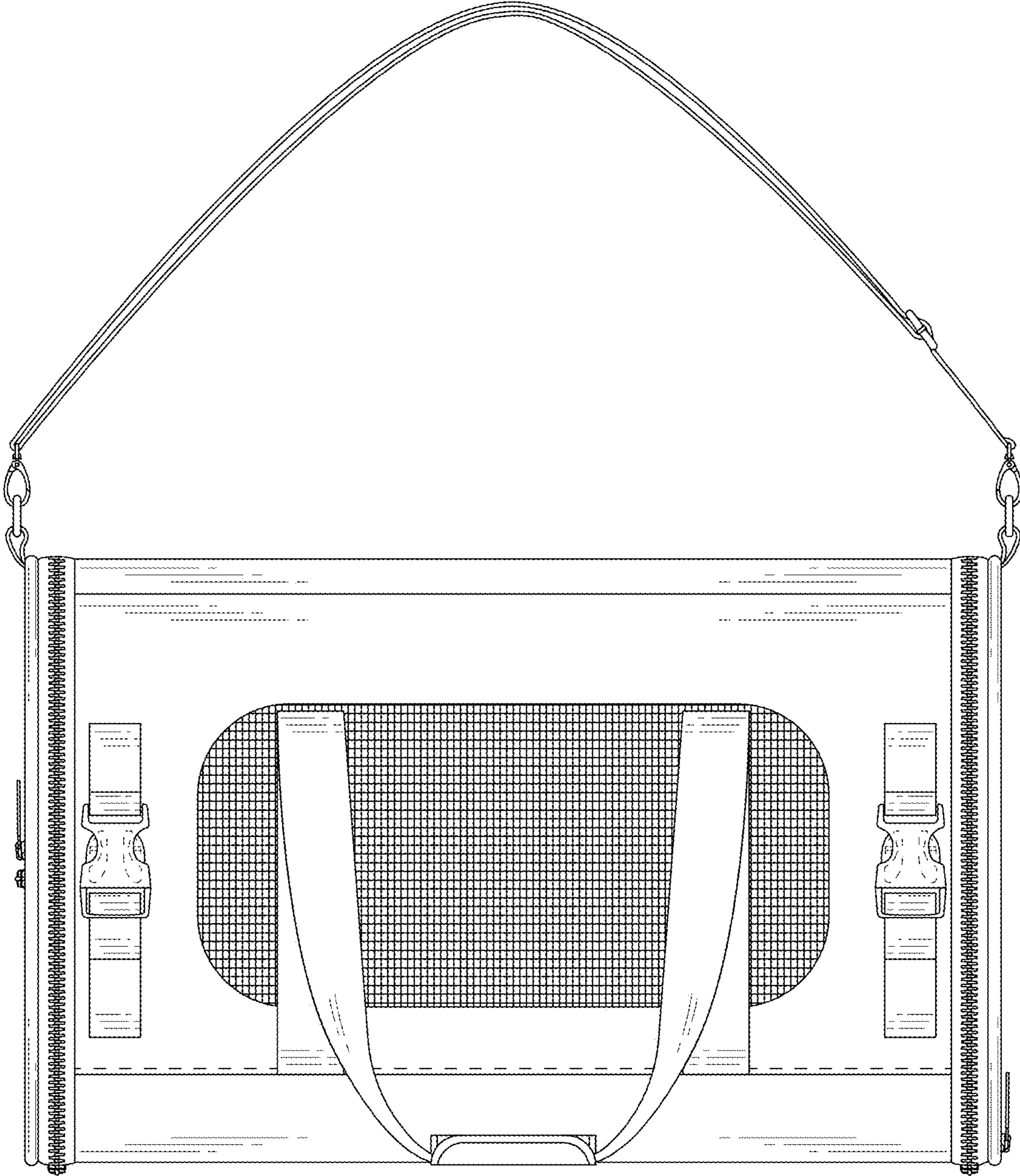


FIG. 1

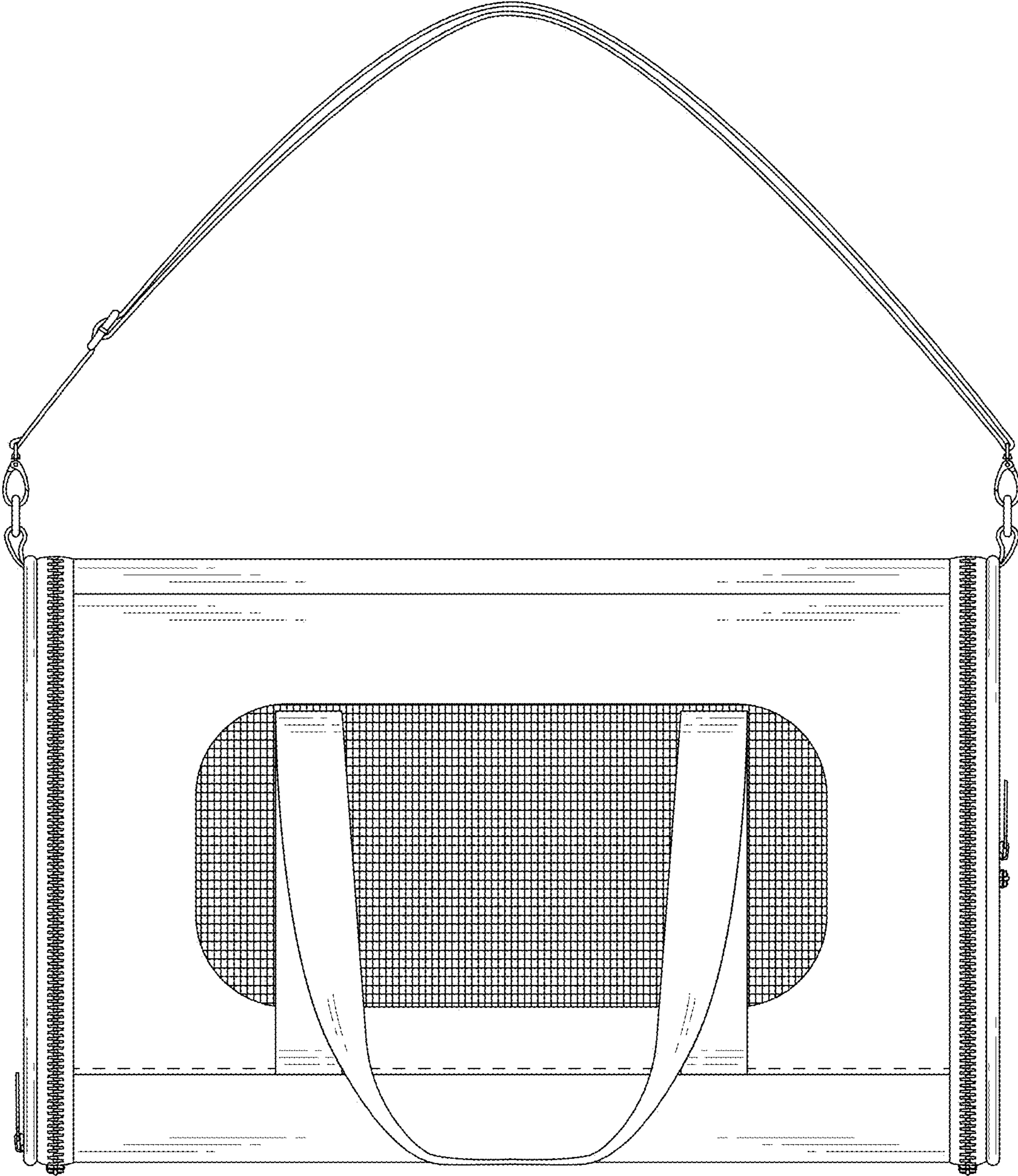


FIG. 2

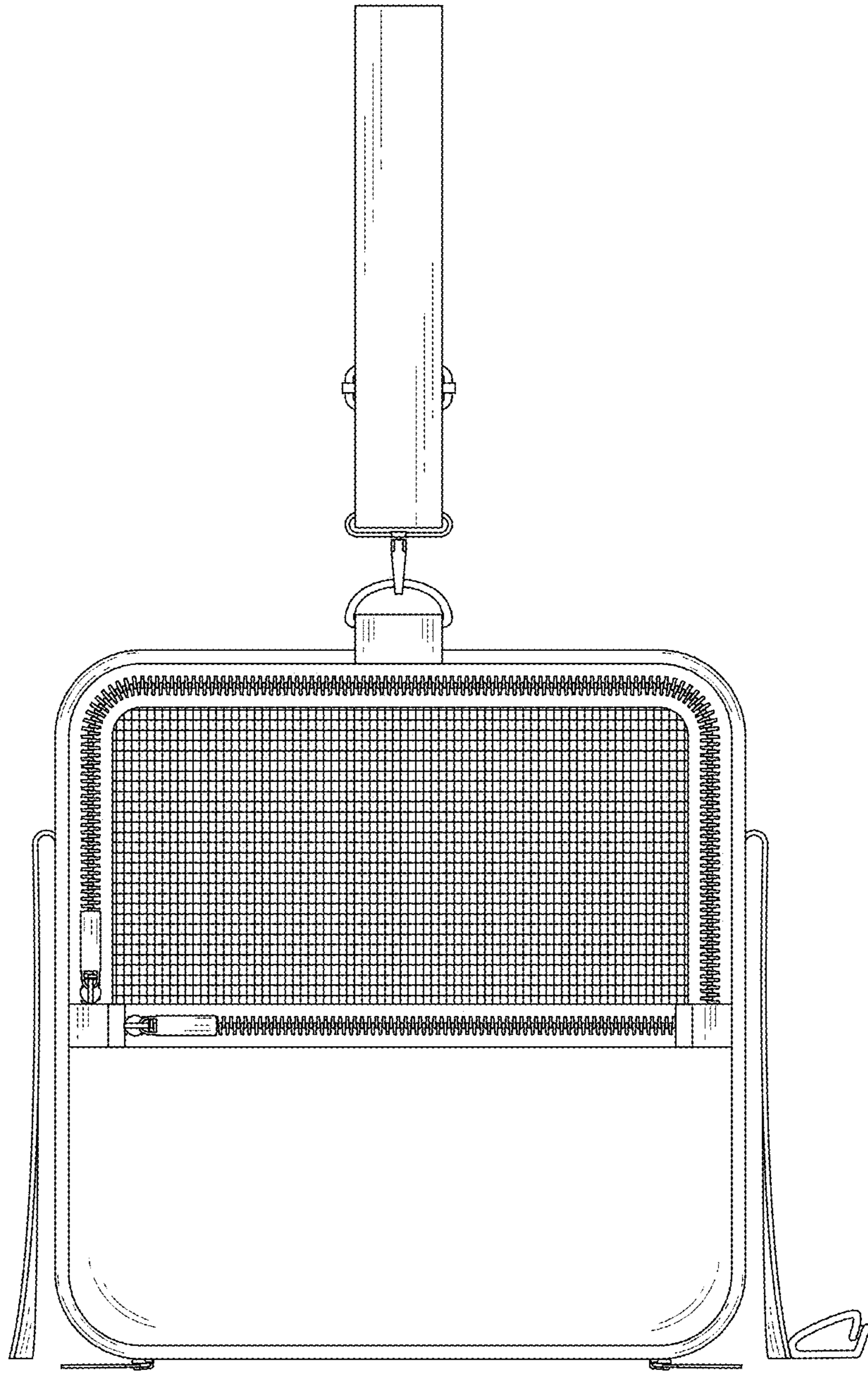


FIG. 3

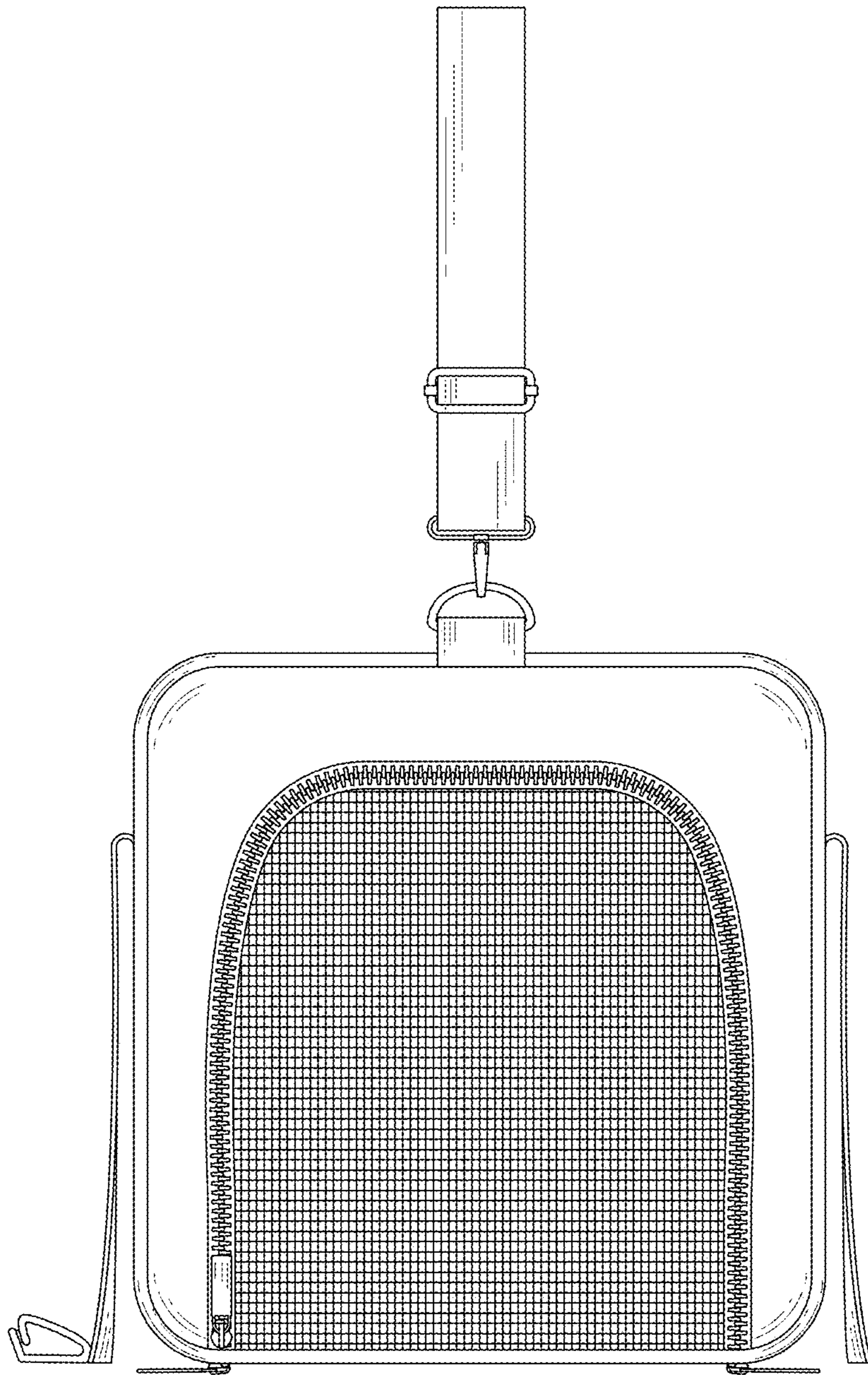


FIG. 4

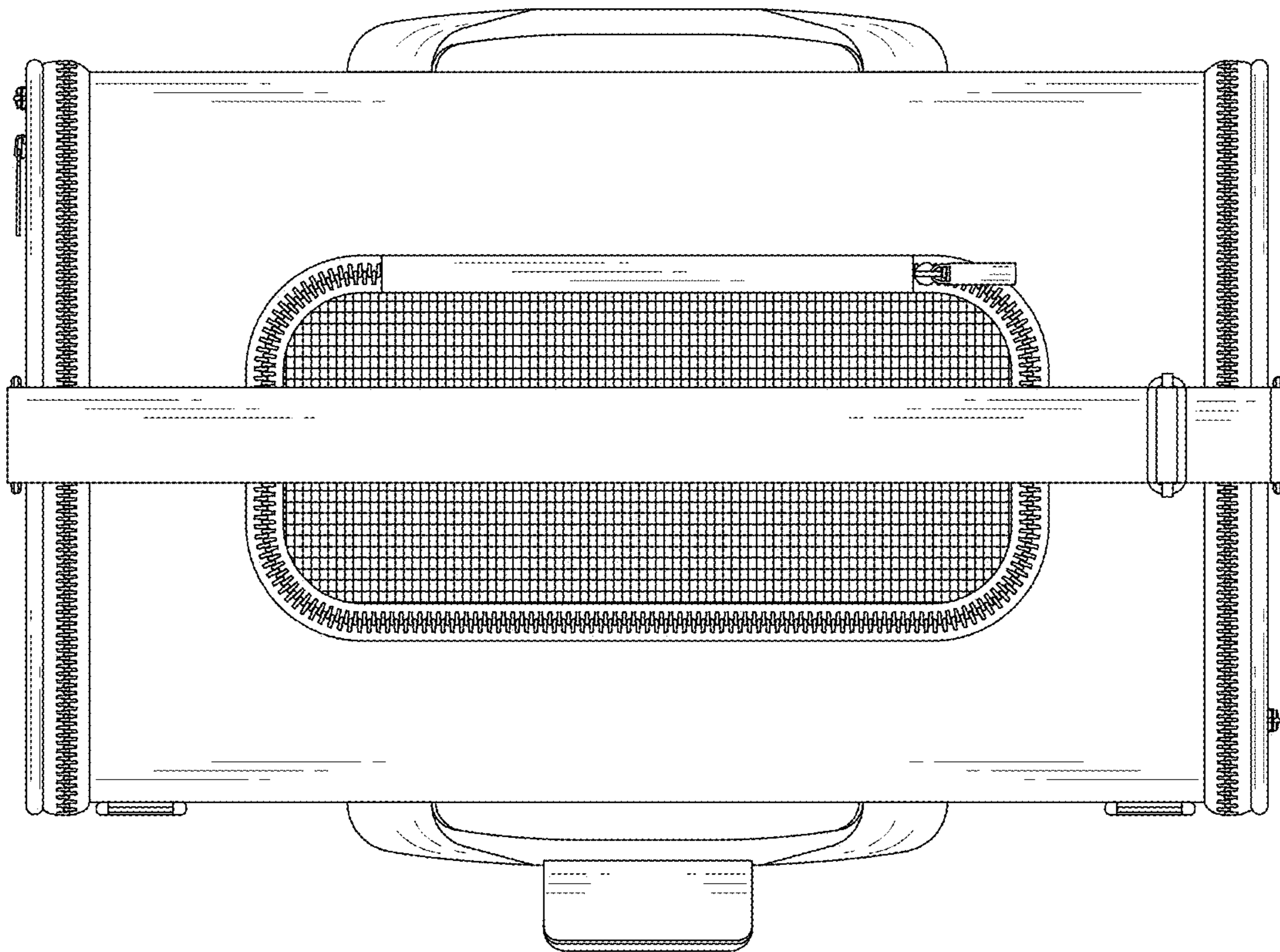


FIG. 5

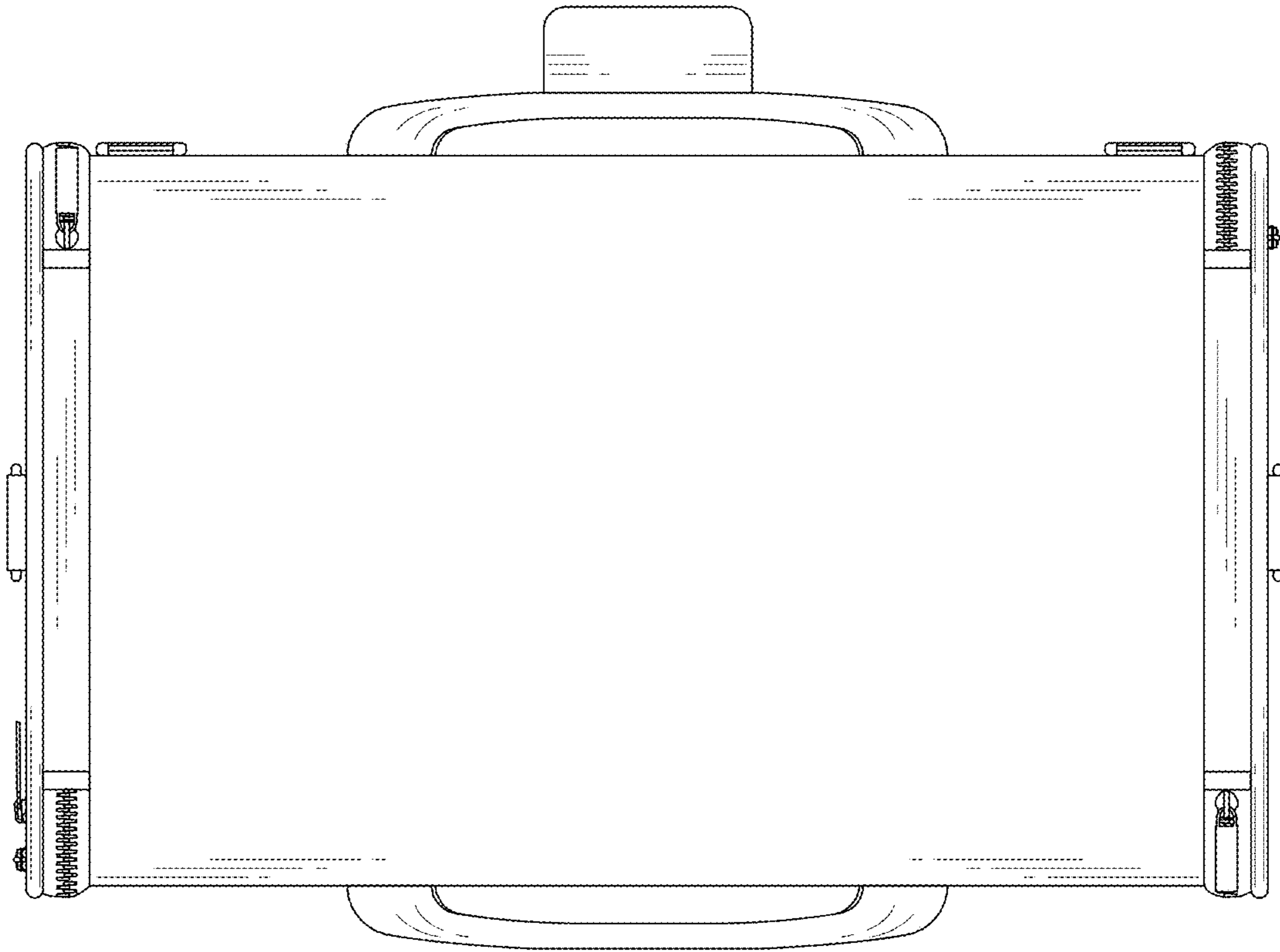


FIG. 6

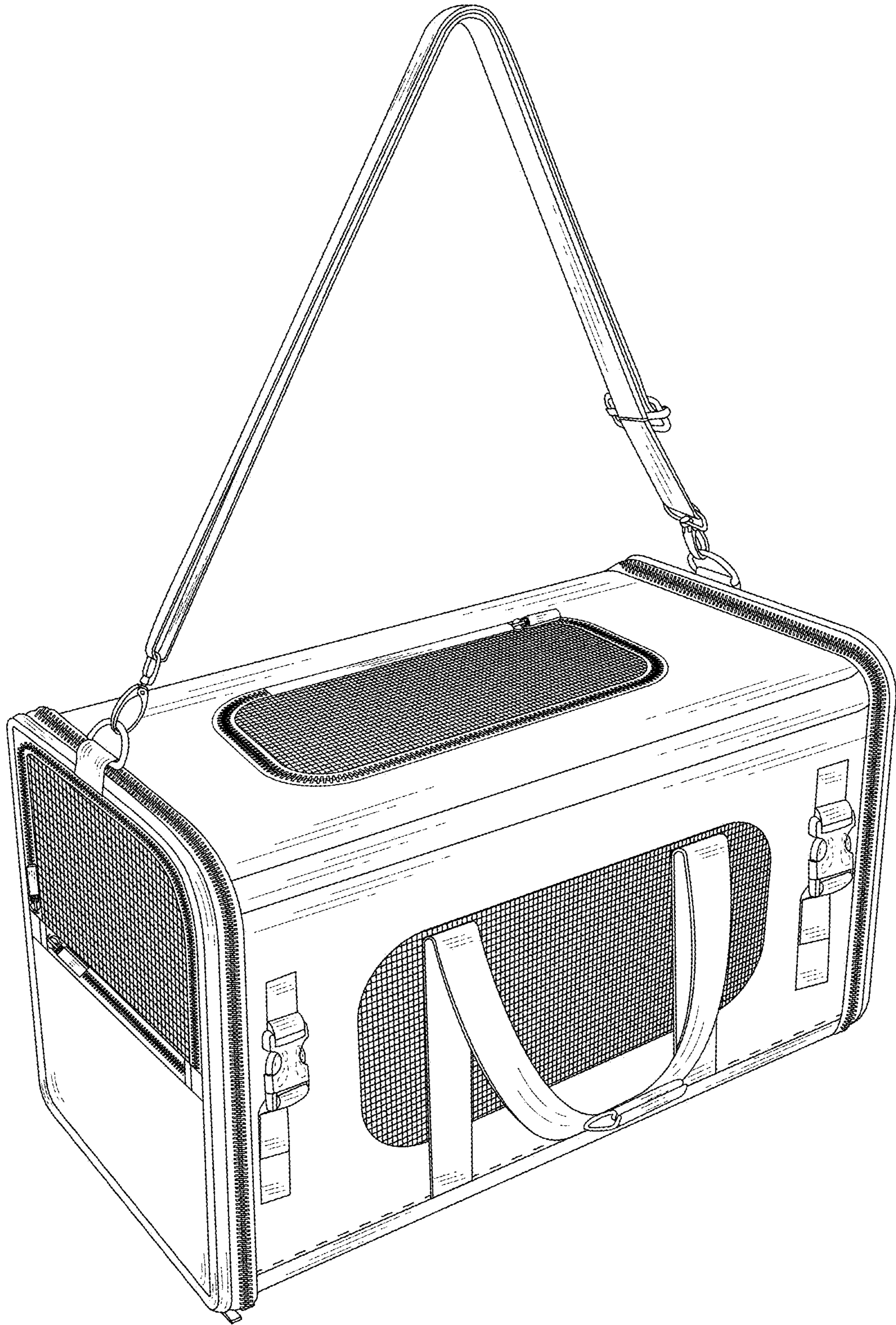


FIG. 7