



(12) **United States Design Patent**
Hurtaud

(10) **Patent No.:** **US D929,665 S**
(45) **Date of Patent:** **** Aug. 31, 2021**

- (54) **INDOOR AQUAPONICS FURNITURE**
- (71) Applicant: **François Hurtaud**, Central (HK)
- (72) Inventor: **François Hurtaud**, Central (HK)
- (**) Term: **15 Years**
- (21) Appl. No.: **29/712,429**
- (22) Filed: **Nov. 8, 2019**
- (51) **LOC (13) Cl.** **30-02**
- (52) **U.S. Cl.**
USPC **D30/102**
- (58) **Field of Classification Search**
USPC D30/101-107; D11/145, 157, 143-144,
D11/131; D6/329, 403
CPC A01K 63/00; A01K 63/003; A01K 63/045;
A01G 31/02
See application file for complete search history.

(56) **References Cited**

U.S. PATENT DOCUMENTS

692,832 A *	2/1902	Creasey	A01K 63/003 119/246
D223,673 S *	5/1972	Collie	D30/101
D236,839 S *	9/1975	Polli	D30/101
3,903,642 A *	9/1975	Yellin	A01K 63/003 47/69
D265,856 S *	8/1982	Totten	D30/104
D278,941 S *	5/1985	Bohnsack	D30/101
D304,246 S *	10/1989	Ross, Jr.	D30/102
D340,550 S *	10/1993	Teats	D30/104

2013/0092093 A1 *	4/2013	Potts	A01K 63/003 119/247
2014/0223818 A1 *	8/2014	Coghlan	A01K 63/045 47/62 R
2020/0305398 A1 *	10/2020	Flynn	A01K 63/003

OTHER PUBLICATIONS

EVA modern aquaponics furniture. Retrieved on Mar. 3, 2021.
Retrieved from the Internet: francoishurtaud.com.*

* cited by examiner

Primary Examiner — Wan Laymon

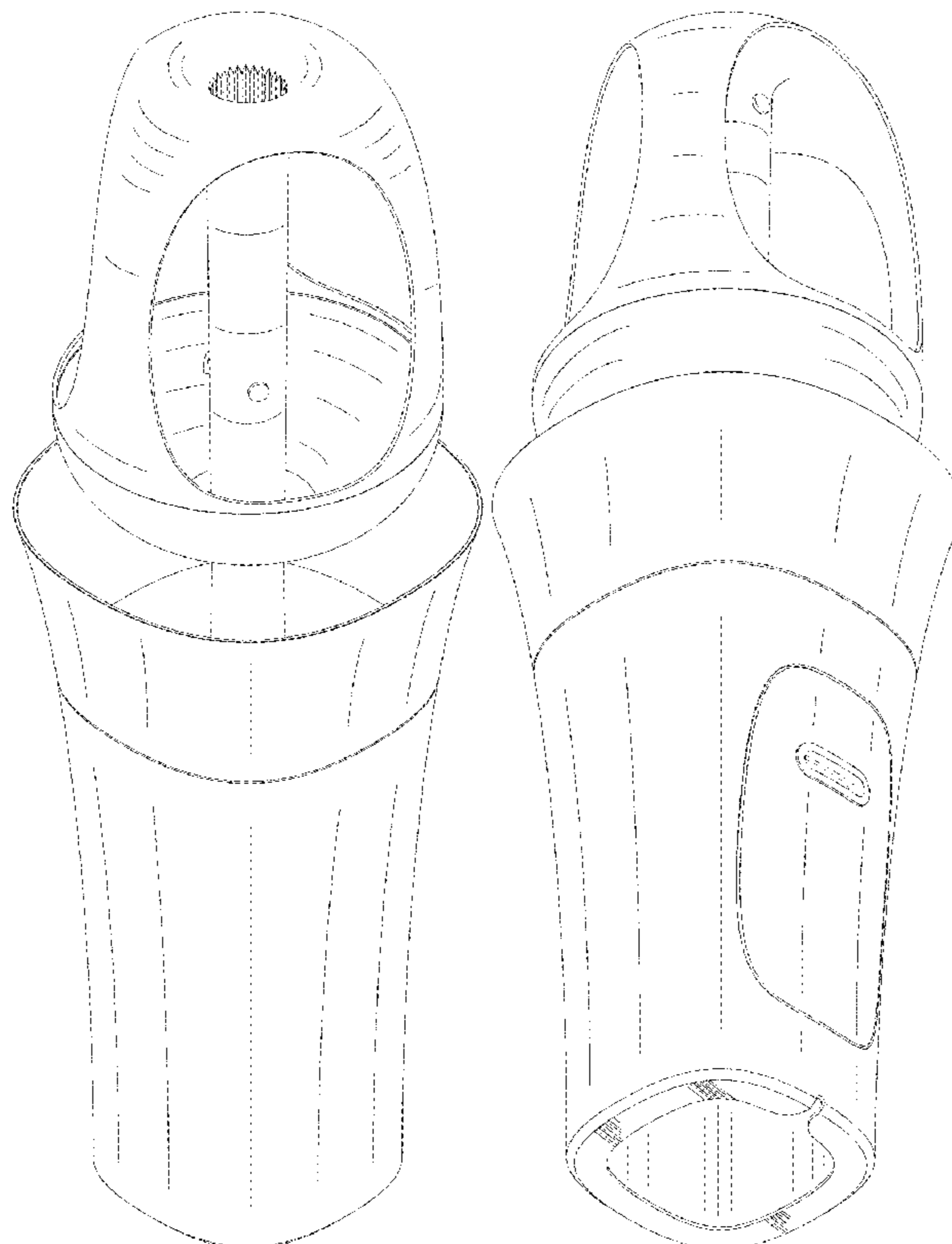
(57) **CLAIM**

The ornamental design for an indoor aquaponics furniture, as shown and described.

DESCRIPTION

FIG. 1 is a front elevational view of an indoor aquaponics furniture showing my new design;
 FIG. 2 is a rear elevational view thereof;
 FIG. 3 is a right side view thereof;
 FIG. 4 is an enlarged top plan view thereof;
 FIG. 5 is an enlarged bottom plan view thereof;
 FIG. 6 is a perspective view thereof; and,
 FIG. 7 is another perspective view thereof.
 The left side view being a mirror image of the right side view.
 The broken lines depict portions of the indoor aquaponics furniture that form no part of the claimed design.

1 Claim, 7 Drawing Sheets



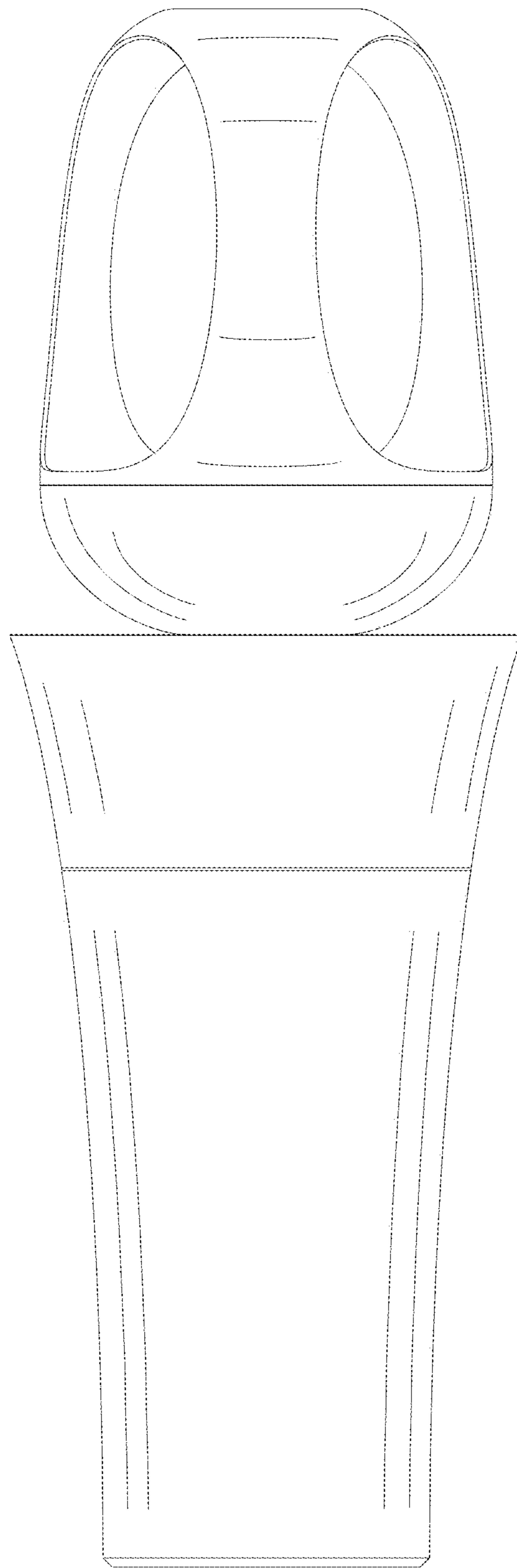


Fig. 1

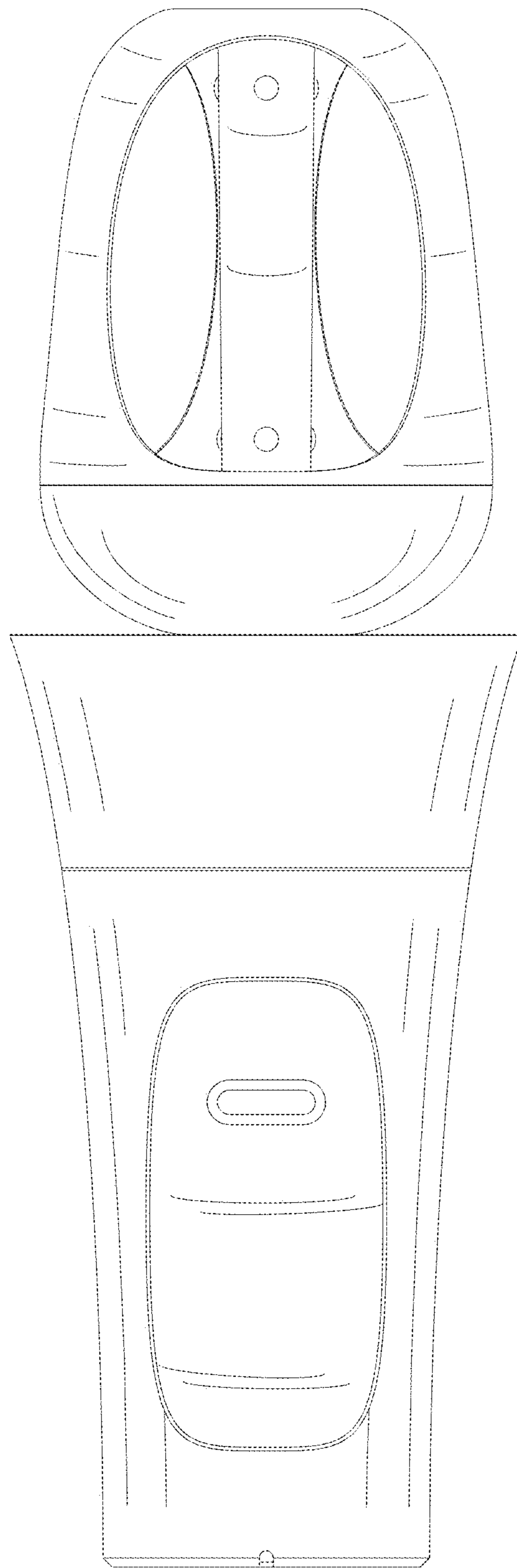


Fig. 2

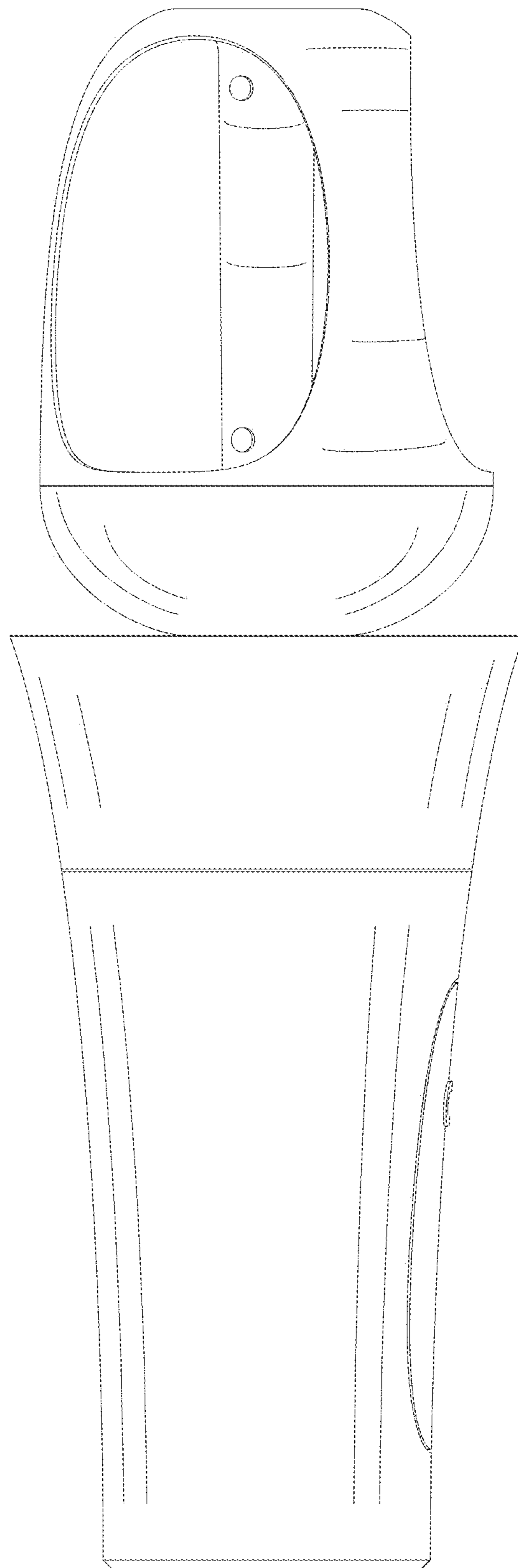


Fig. 3

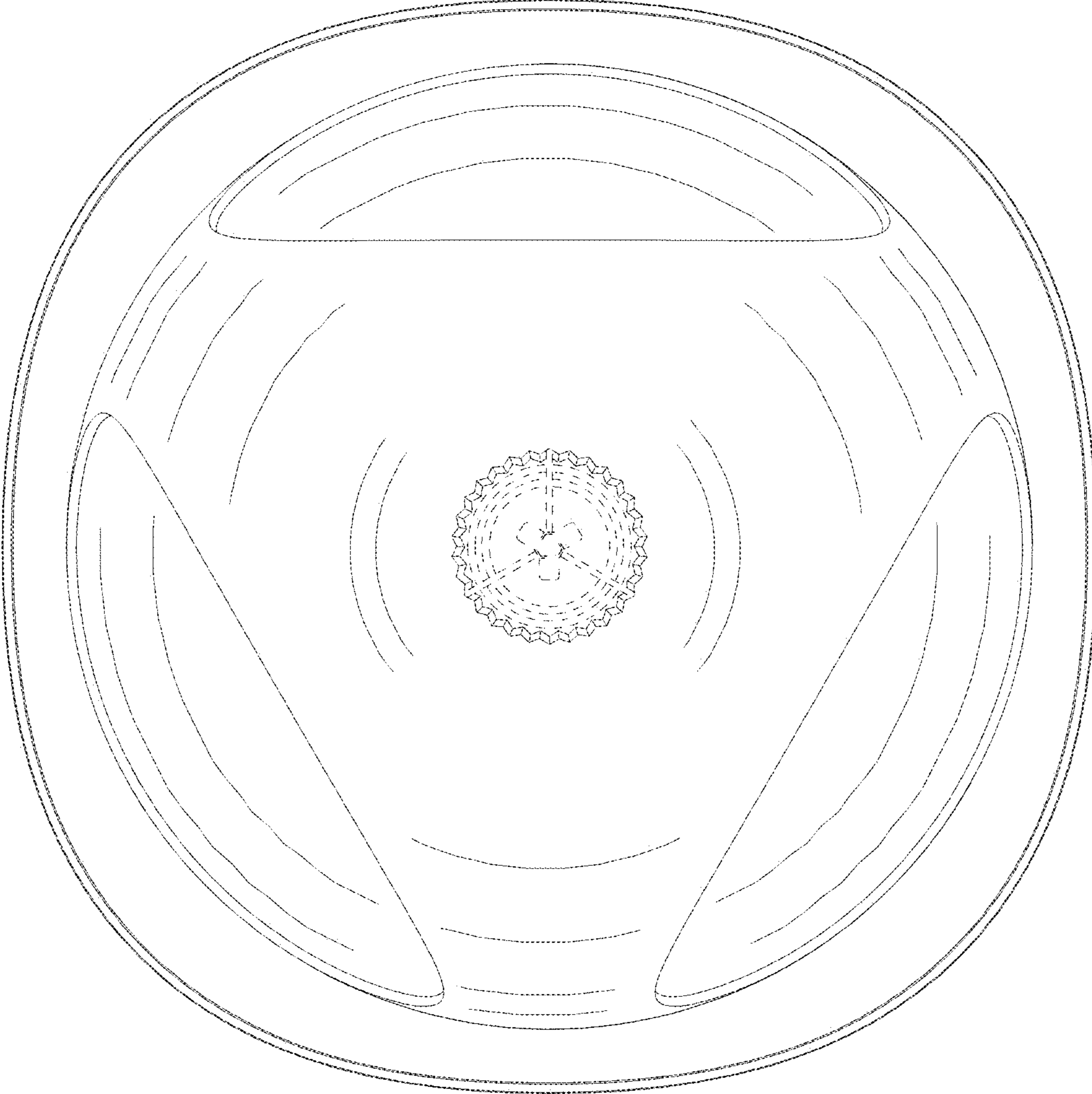


Fig. 4

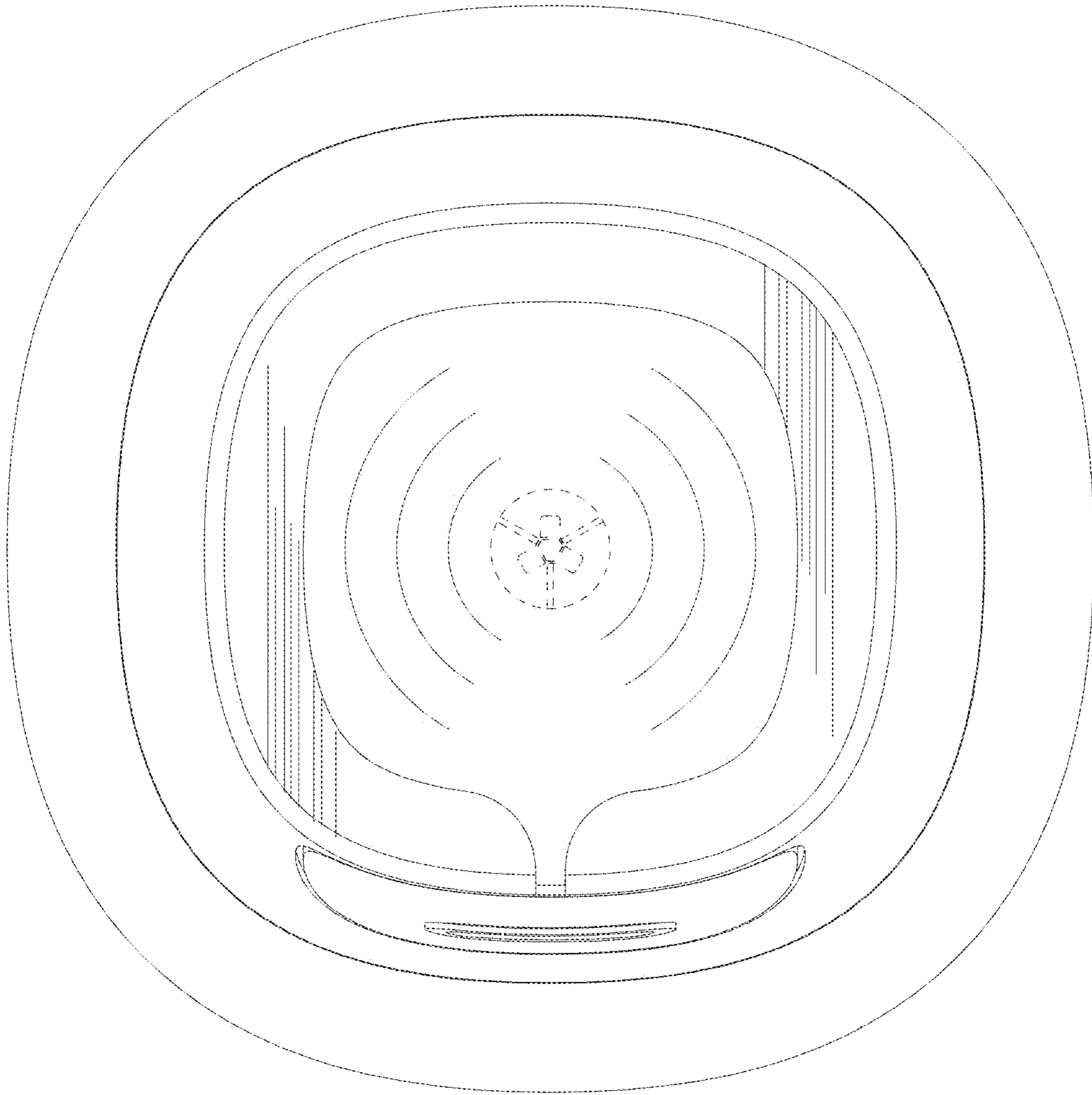


Fig. 5

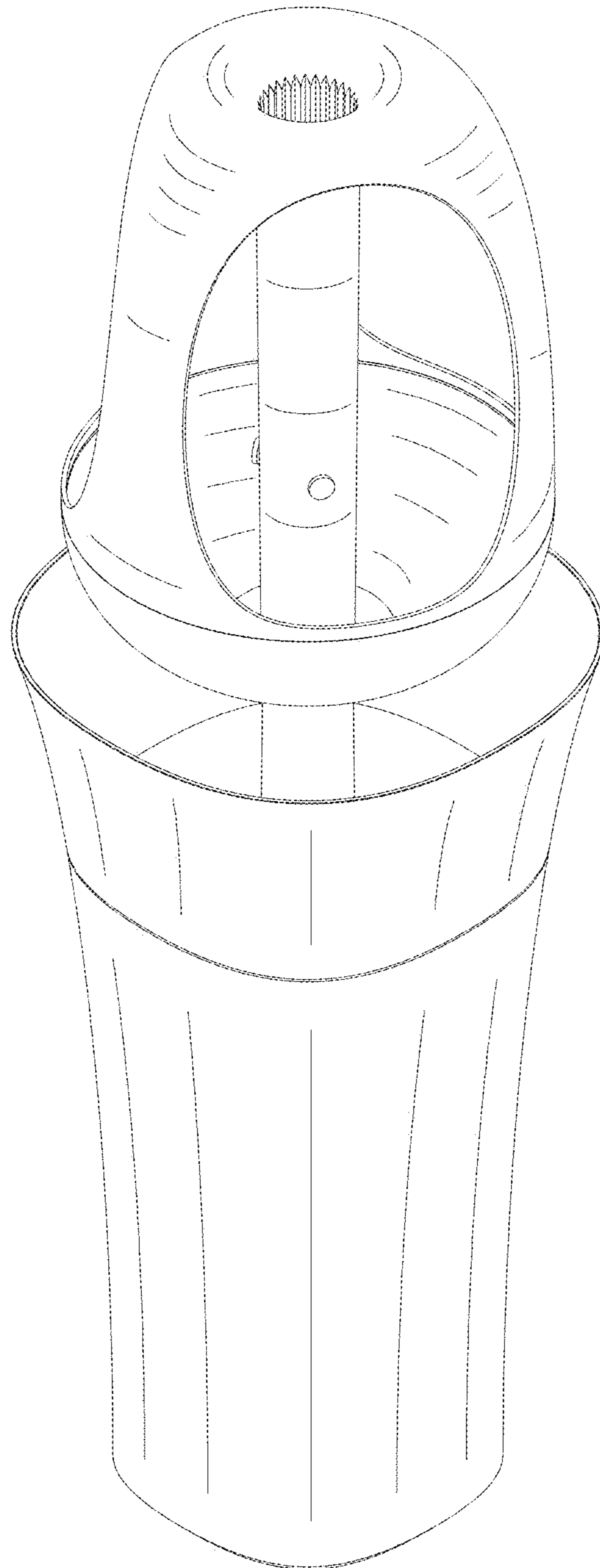


Fig. 6

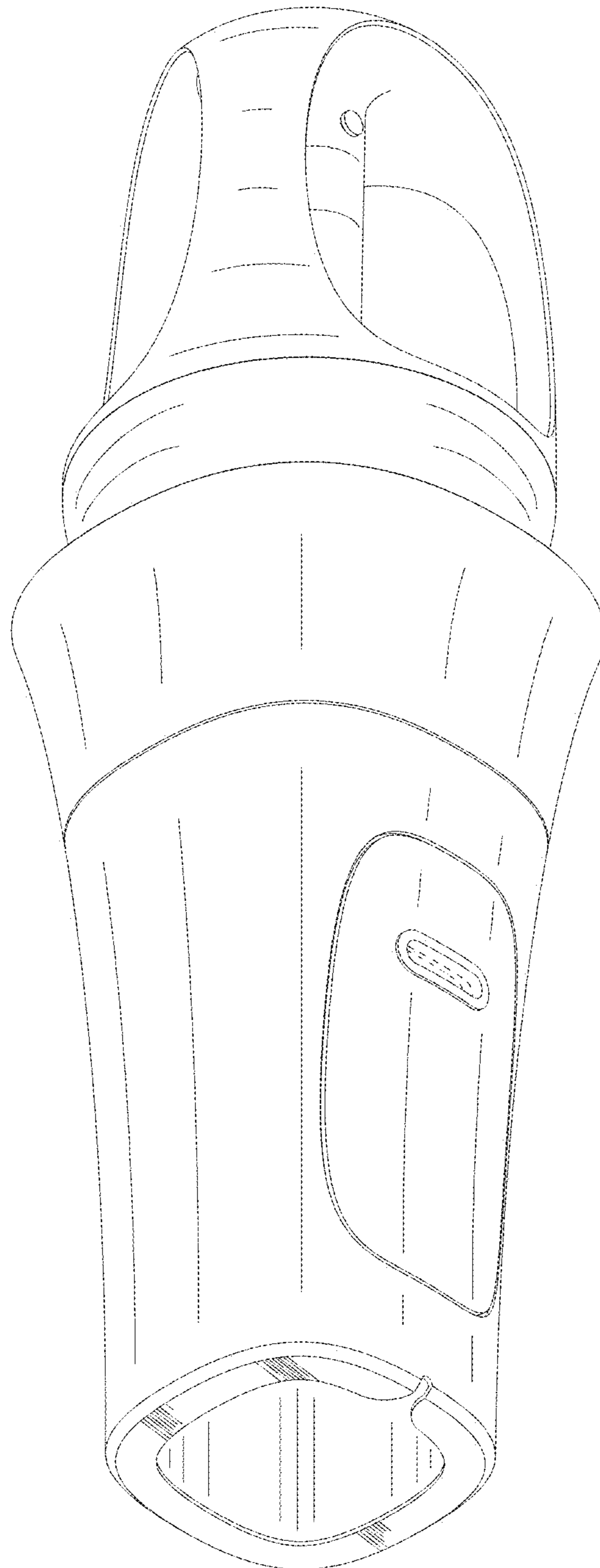


Fig. 7