



US00D929663S

(12) **United States Design Patent** (10) **Patent No.:** **US D929,663 S**  
**Fontana** (45) **Date of Patent:** **\*\* Aug. 31, 2021**

(54) **SPORTS HELMET PAD**

(71) Applicant: **Richard Fontana**, Alta Loma, CA (US)

(72) Inventor: **Richard Fontana**, Alta Loma, CA (US)

(\*\*) Term: **15 Years**

(21) Appl. No.: **29/698,785**

(22) Filed: **Jul. 19, 2019**

(51) **LOC (13) Cl.** ..... **02-99**

(52) **U.S. Cl.**

USPC ..... **D29/122**

(58) **Field of Classification Search**

USPC ..... D2/600, 602, 609, 865, 866, 867, 868,  
D2/869, 870, 871, 872, 873, 874, 875,  
D2/877, 878, 879, 881, 882, 886, 887,  
D2/891, 892, 893, 895; D15/144, 144.1,  
D15/144.2; D21/698, 780, 788;  
D24/188, 190, 191; D29/100, 101.3,  
D29/101.5, 102, 103, 104, 105, 106, 107,  
D29/108, 109, 110, 113, 115, 120.1, 122;  
D6/601

CPC ..... A41D 13/00; A41D 13/0512; A41D  
13/0015; A41D 13/015; A41D 13/046;  
A41D 13/0518; A41D 13/055; A41D  
13/0556; A41D 13/0568; A41D 13/08;  
A41D 13/081; A41D 13/084; A41D  
13/088; A41D 2600/202; A41D 27/12;  
A41D 27/136; A42B 1/24; A42B 1/247;  
A42B 1/08; A42B 1/10; A42B 3/00;  
A42B 3/04; A42B 3/0473; A42B 3/06;  
A42B 3/062; A42B 3/063; A42B 3/064;  
A42B 3/065; A42B 3/066; A42B 3/10;  
A42B 3/105; A42B 3/12; A42B 3/121;  
A42B 3/122; A42B 3/124; A42B 3/125;  
A42B 3/127; A42B 3/128; A42B 3/16;  
A42B 3/18; A42B 3/185; A42B 3/22;  
A42B 3/221; A42B 3/225; A47G 9/1081;  
A61B 2018/00619; A61H 1/0296; A61H  
2201/1609; A61H 2205/04; A63B  
2017/0063; A63B 21/4003; A63B 23/025;  
A63B 71/1291; Y10S 2/91

See application file for complete search history.

(56) **References Cited**

U.S. PATENT DOCUMENTS

2,143,483 A \* 1/1939 Iglauer ..... A42B 1/08  
2/411

D257,073 S 9/1980 Jenkins  
(Continued)

OTHER PUBLICATIONS

Amazon, "Schutt Comfort Lite Baseball/Softball Catcher's Mask Replacement Pads", first available Oct. 15, 2019. ([https://www.amazon.com/dp/B07Z5M5JGC/ref=cm\\_sw\\_em\\_r\\_mt\\_dp\\_R3PDW3DBX4KAEME7RWBF?\\_encoding=UTF8&psc=1](https://www.amazon.com/dp/B07Z5M5JGC/ref=cm_sw_em_r_mt_dp_R3PDW3DBX4KAEME7RWBF?_encoding=UTF8&psc=1)) (Year: 2019).\*

(Continued)

*Primary Examiner* — Lauren D McVey

*Assistant Examiner* — Justin A Johnson

(74) *Attorney, Agent, or Firm* — Brooks Kushman PC

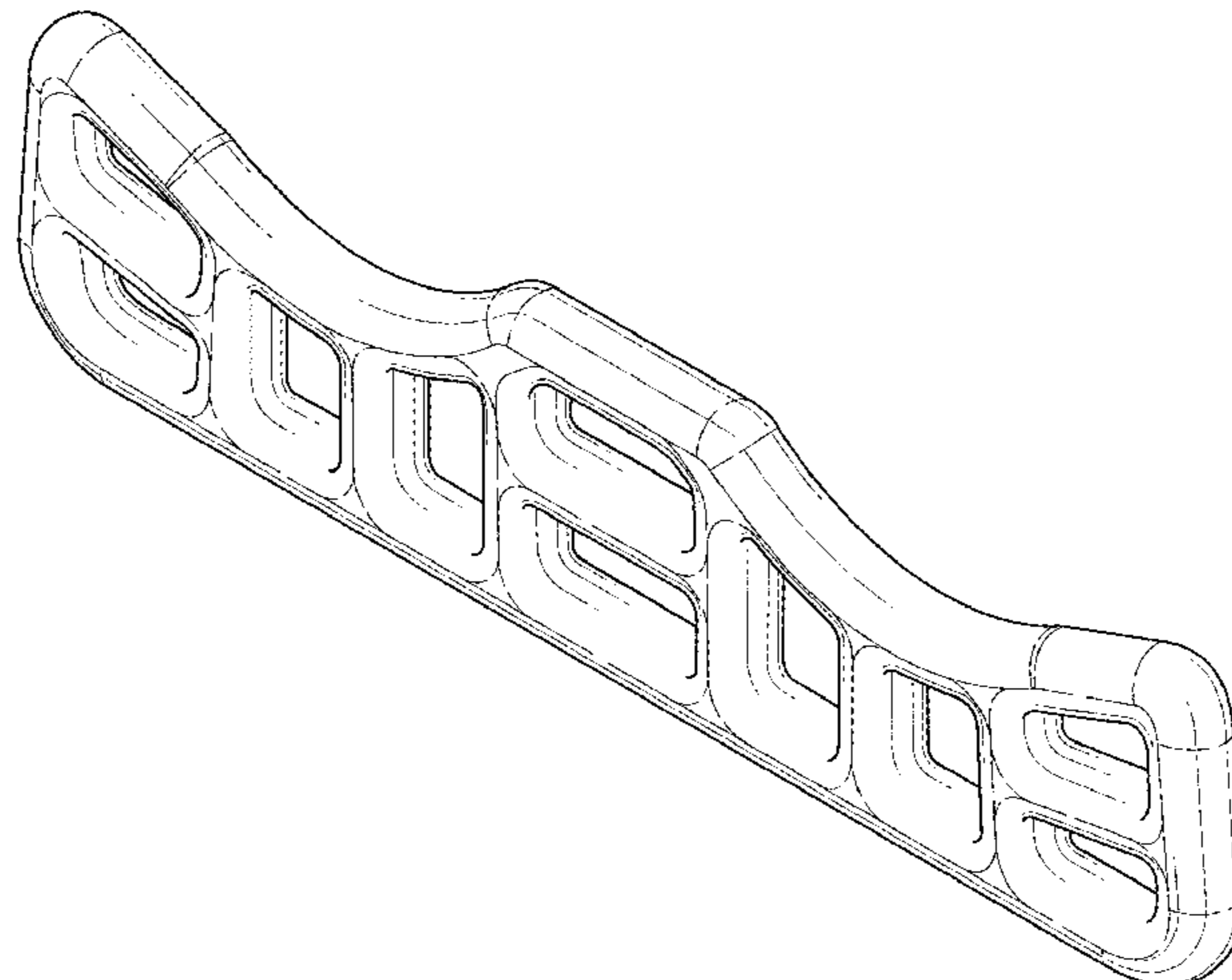
(57) **CLAIM**

The ornamental design for a sports helmet pad, as shown and described.

**DESCRIPTION**

FIG. 1 is a perspective view of a sports helmet pad showing my new design;  
FIG. 2 is a front view thereof;  
FIG. 3 is a rear view thereof;  
FIG. 4 is a left side view thereof;  
FIG. 5 is a right side view thereof;  
FIG. 6 is a top plan view thereof;  
FIG. 7 is a bottom plan view thereof;  
FIG. 8 is a front perspective environmental view thereof;  
and,  
FIG. 9 is a rear perspective environmental view thereof.  
The broken lines illustrate portions of the environment and form no part of the claimed design.

**1 Claim, 5 Drawing Sheets**





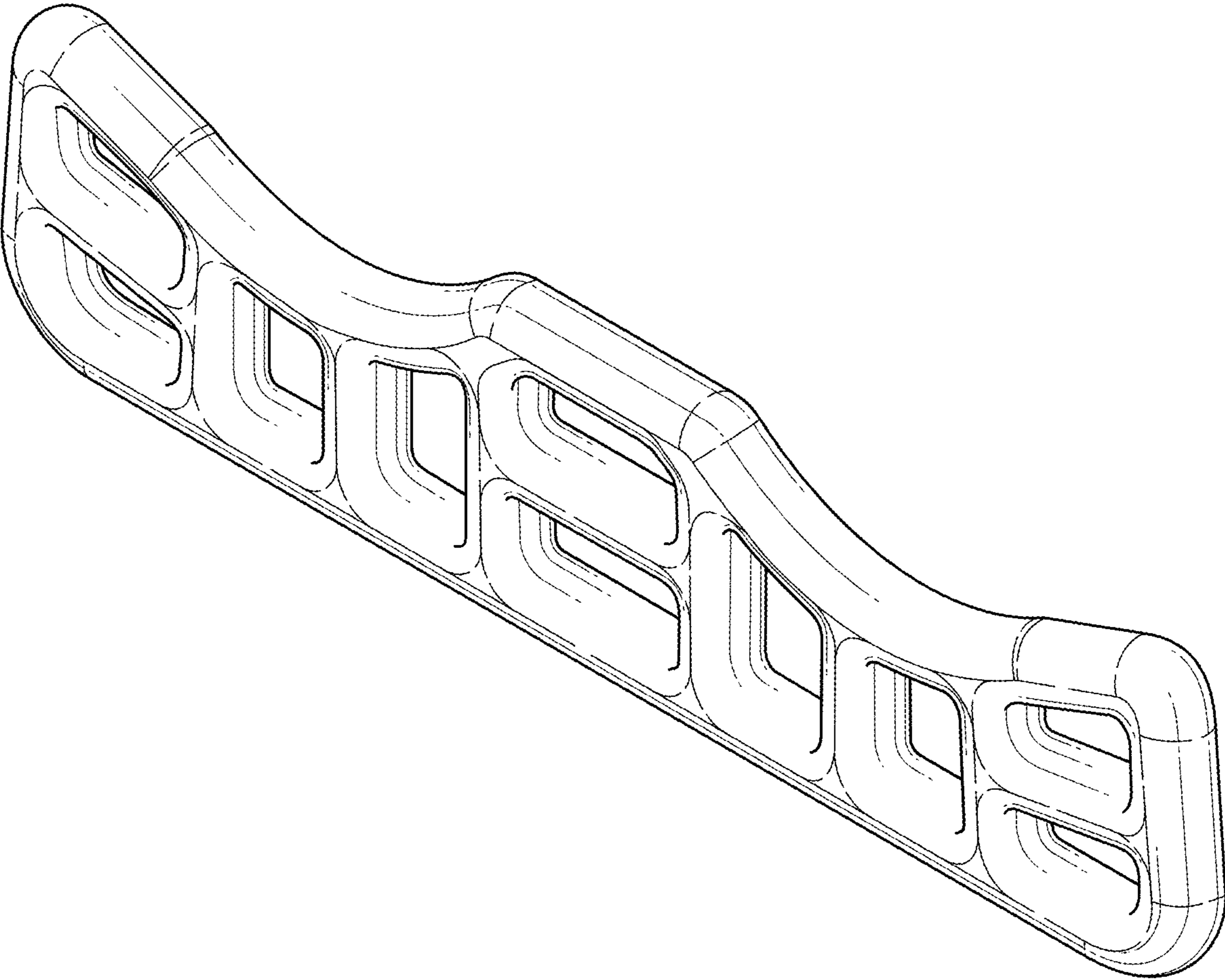


FIG. 1



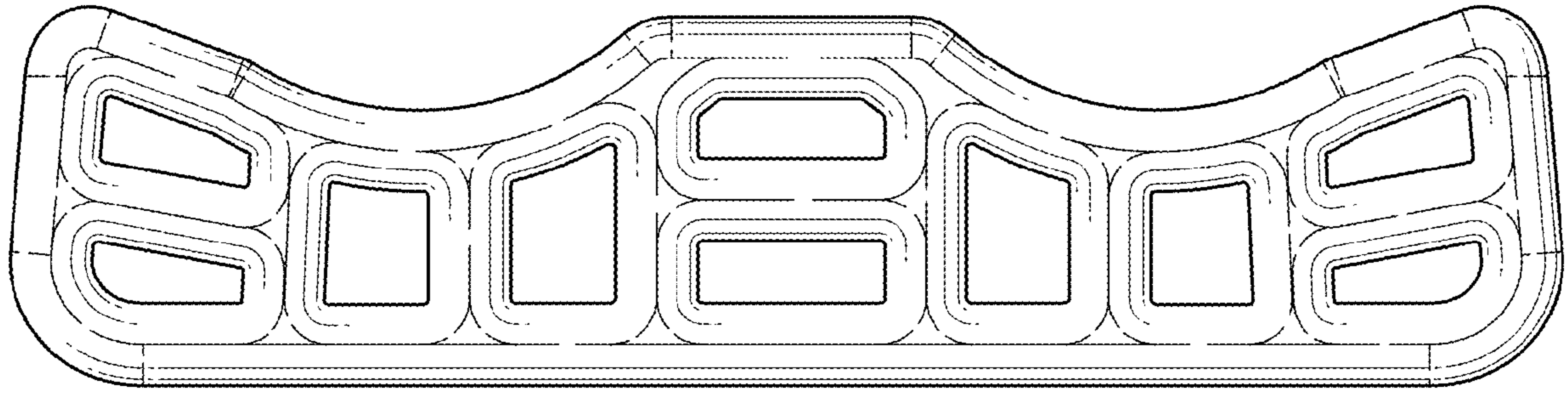


FIG. 2

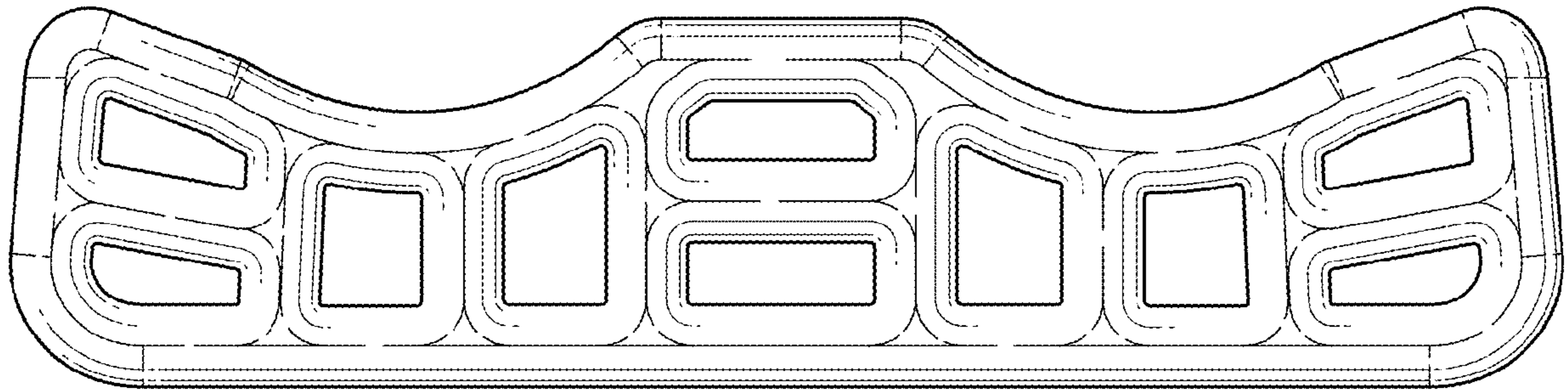


FIG. 3

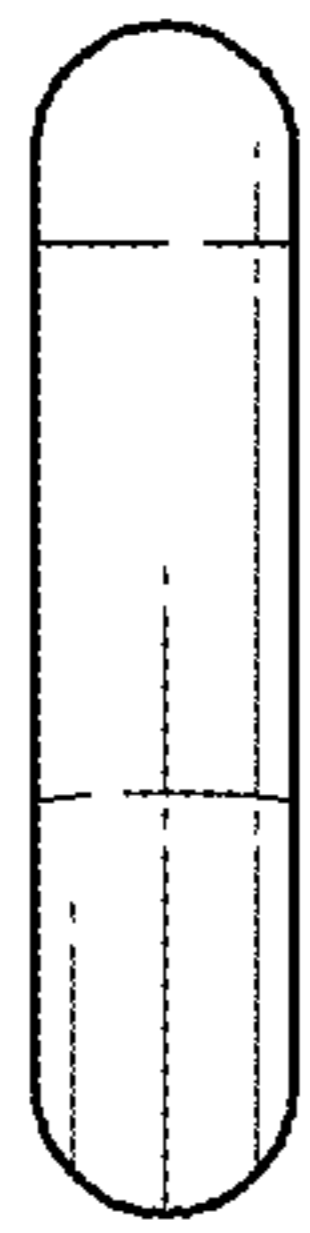


FIG. 4

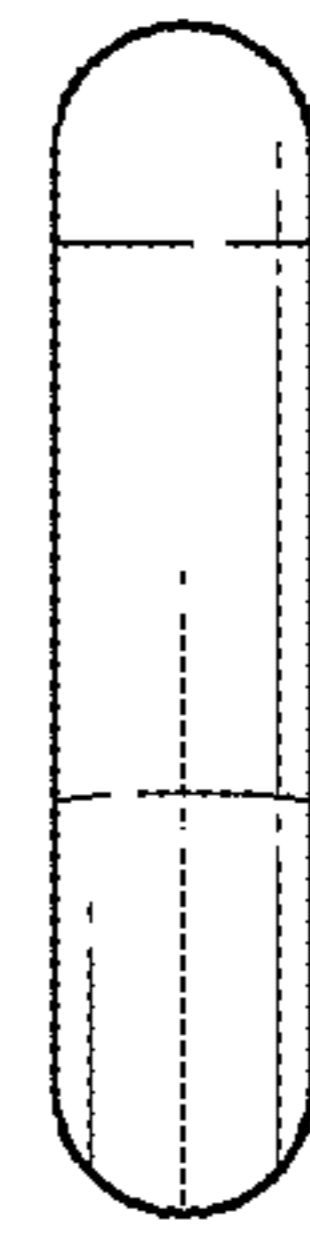


FIG. 5



FIG. 6

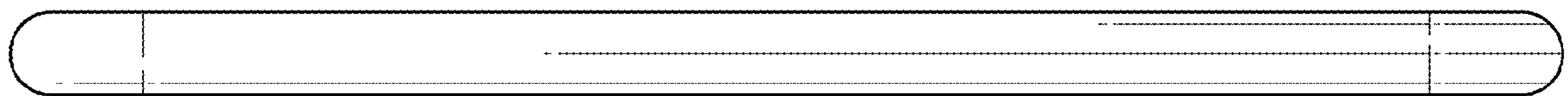


FIG. 7

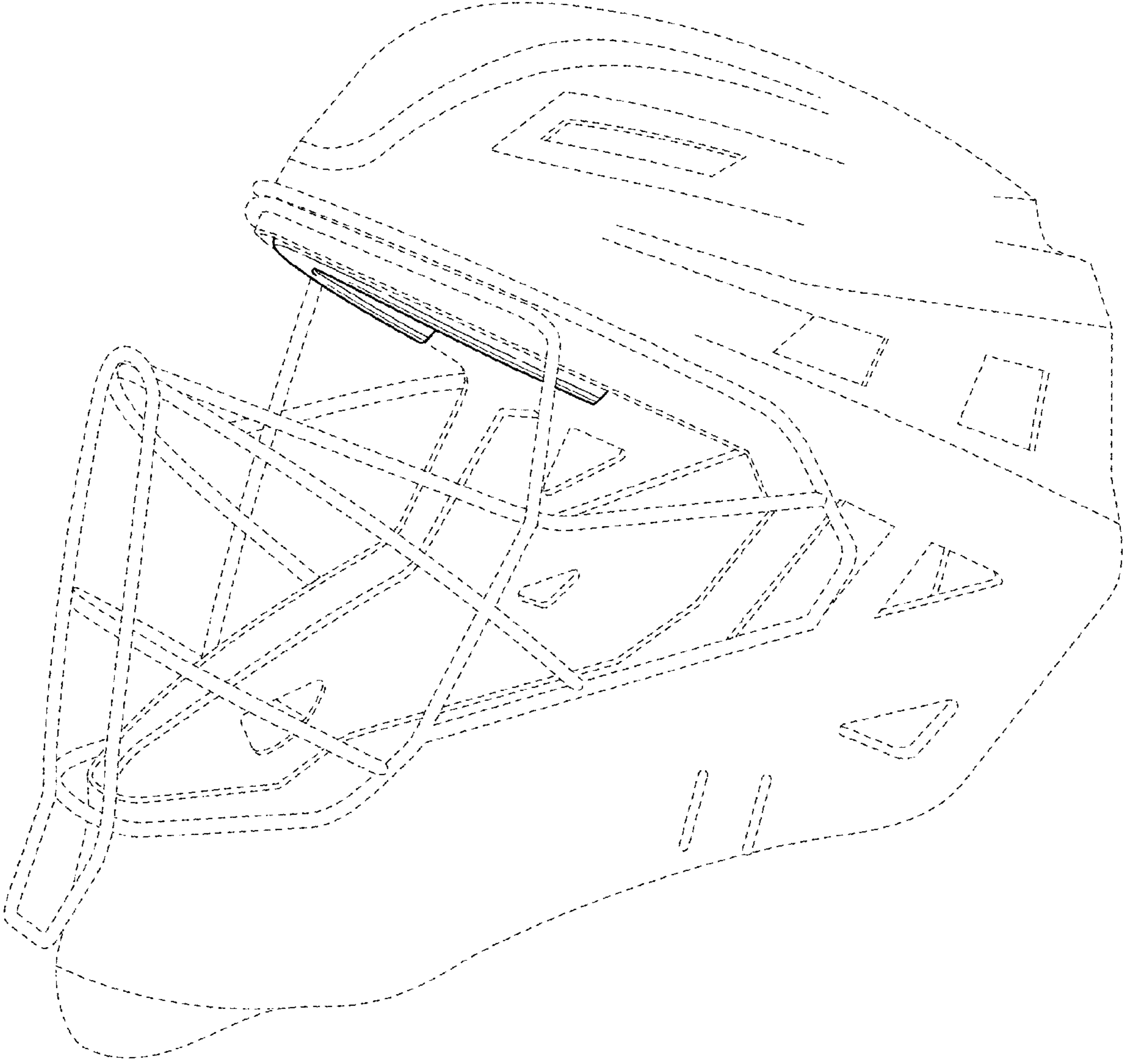


FIG. 8

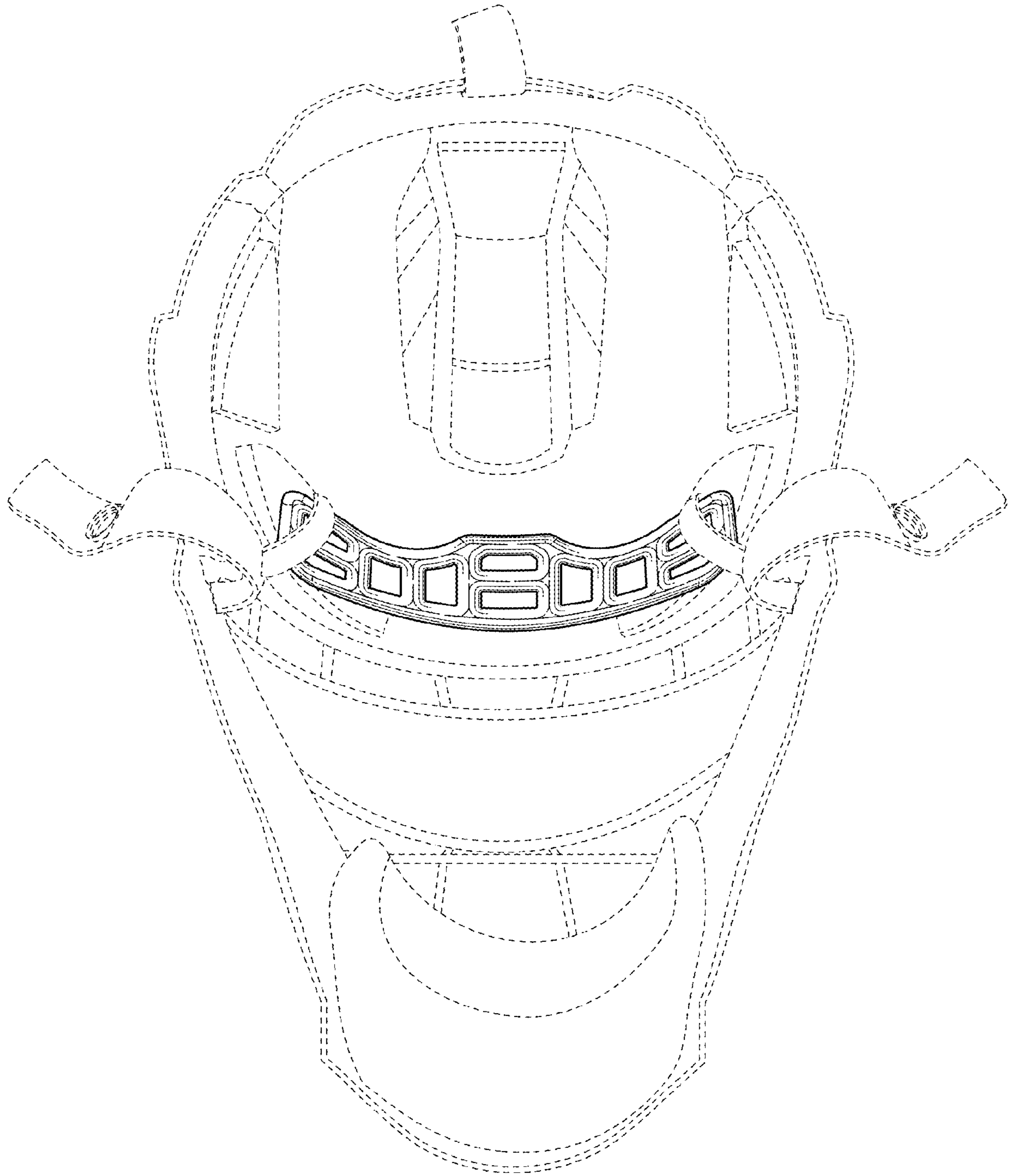


FIG. 9