



US00D929659S

(12) **United States Design Patent** (10) **Patent No.:** **US D929,659 S**
Otani et al. (45) **Date of Patent:** **** Aug. 31, 2021**

(54) **LIPSTICK CASE**
(71) Applicant: **ELC MANAGEMENT LLC**, Melville, NY (US)

D410,570 S * 6/1999 Lerolle D28/85
D425,256 S * 5/2000 Gavin D28/85
D471,324 S * 3/2003 Kalin D28/77
(Continued)

(72) Inventors: **Laura Otani**, New York, NY (US);
Maria Portiansky, Brooklyn, NY (US);
Judith Shalva Waletzky, Brooklyn, NY (US)

FOREIGN PATENT DOCUMENTS

CN 301041244 10/2009
CN 305094943 S 4/2019
(Continued)

(73) Assignee: **ELC MANAGEMENT LLC**, Melville, NY (US)

OTHER PUBLICATIONS

Pure Color Desire Rouge Excess Creme Lipstick, Estee Lauder, reviewed on Nov. 2, 2018, retrieved on Apr. 14, 2021, retrieved from the Internet URL: <https://www.nordstrom.com/s/estee-lauder-pure-color-desire-rouge-excess-creme-lipstick-nordstrom-exclusive/5034033>.*

(**) Term: **15 Years**

Primary Examiner — Jennifer Rivard
Assistant Examiner — Alison M Ofstun
(74) *Attorney, Agent, or Firm* — Yonggang Wu

(21) Appl. No.: **29/705,019**

(22) Filed: **Sep. 9, 2019**

(30) **Foreign Application Priority Data**

Sep. 6, 2019 (EM) 006833133

(51) **LOC (13) Cl.** **28-03**

(52) **U.S. Cl.**
USPC **D28/85**

(58) **Field of Classification Search**
USPC D28/4, 64.3, 73, 76, 77, 85-90, 99;
D9/503-504, 500, 529, 574, 575, 686,
D9/723

CPC A45D 33/22; A45D 33/24; A45D 33/28;
A45D 40/00; A45D 40/20; A45D 40/24;
A45D 34/00; A45D 34/04; A45D 34/06;
A45D 34/041; A45D 40/02; A45D 40/06;
A45D 40/18; A45D 40/262; A45D 40/16

See application file for complete search history.

(56) **References Cited**

U.S. PATENT DOCUMENTS

D279,510 S * 7/1985 Kairawicz D28/85
D298,364 S * 11/1988 Simonetti D28/85
D298,472 S * 11/1988 Simonetti D28/85
4,792,251 A * 12/1988 Ryder A45D 40/06
401/74

(57) **CLAIM**

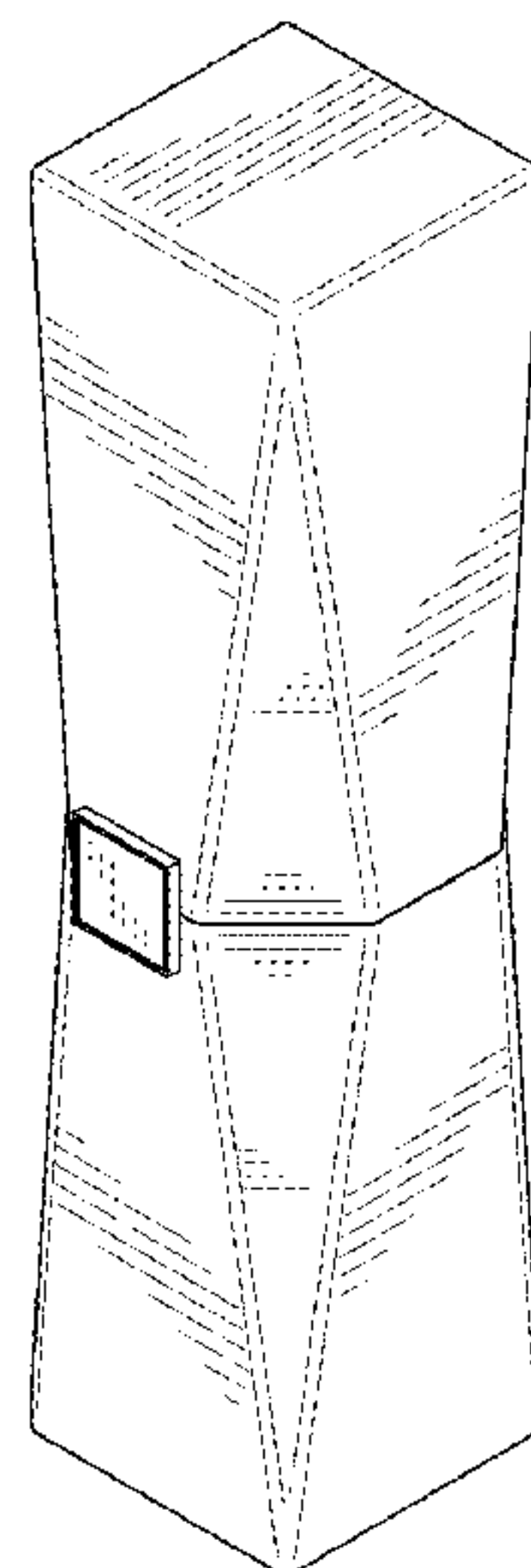
The ornamental design for a lipstick case, as shown and described.

DESCRIPTION

FIG. 1 is a top front perspective view of a lipstick case showing the claimed design;
FIG. 2 is a bottom rear perspective view thereof;
FIG. 3 is a front view thereof;
FIG. 4 is a rear view thereof;
FIG. 5 is a right view thereof;
FIG. 6 is a left view thereof;
FIG. 7 is a top view thereof;
FIG. 8 is a bottom view thereof; and,
FIG. 9 is an exploded view of the lipstick case, as shown in FIG. 1.

The broken lines in the figures show portions of the lipstick case that form no part of the claimed design.

1 Claim, 4 Drawing Sheets



(56)

References Cited

U.S. PATENT DOCUMENTS

D501,279 S * 1/2005 Dittmer D28/85
D539,982 S * 4/2007 Nobuto D28/76
D564,708 S * 3/2008 Kuo D28/85
D566,900 S * 4/2008 Dittmer D28/85
D726,967 S 4/2015 Komai et al.
D739,606 S * 9/2015 DeMarco Staab D28/76
D744,166 S 11/2015 Chertoff et al.
D744,167 S 11/2015 Chertoff et al.
D744,697 S * 12/2015 Chertoff D28/76
2010/0108553 A1 * 5/2010 McLaughlin A45D 40/16
206/385
2013/0015089 A1 * 1/2013 McLaughlin A45D 40/00
206/385
2013/0075301 A1 * 3/2013 McLaughlin A45D 40/16
206/581

FOREIGN PATENT DOCUMENTS

CN 305162701 5/2019
CN 305288153 8/2019
RU 00088048 2/2014
WO WO-2011002265 A2 * 1/2011 A45D 40/065

* cited by examiner

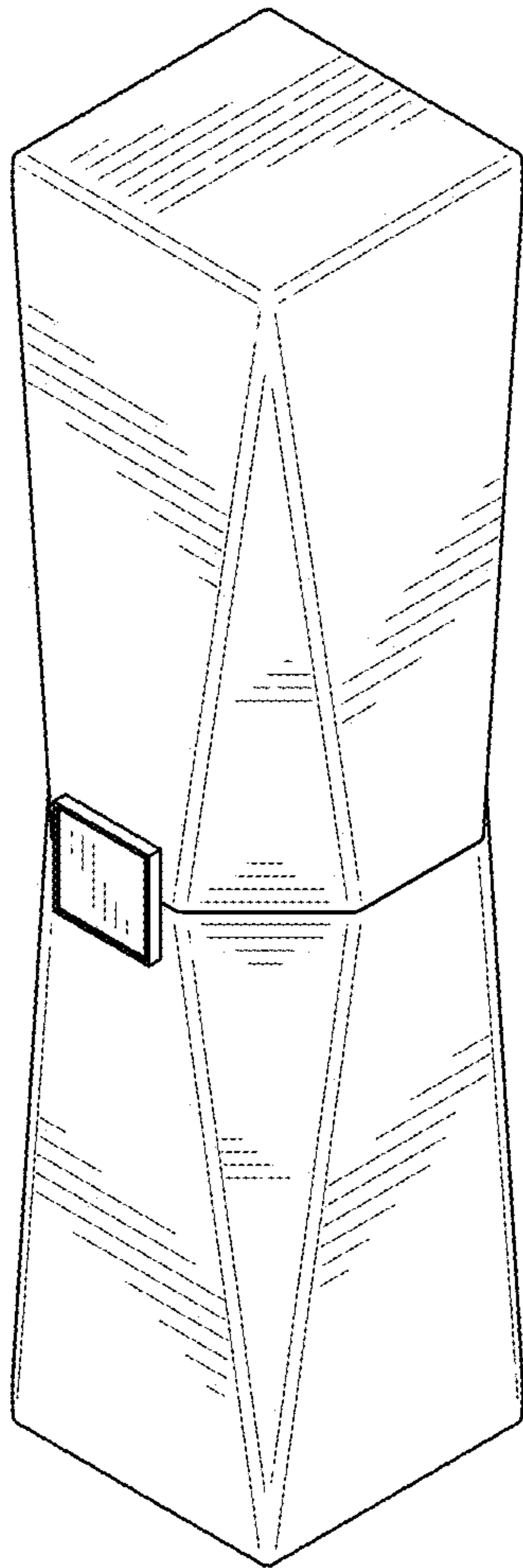


FIG. 1

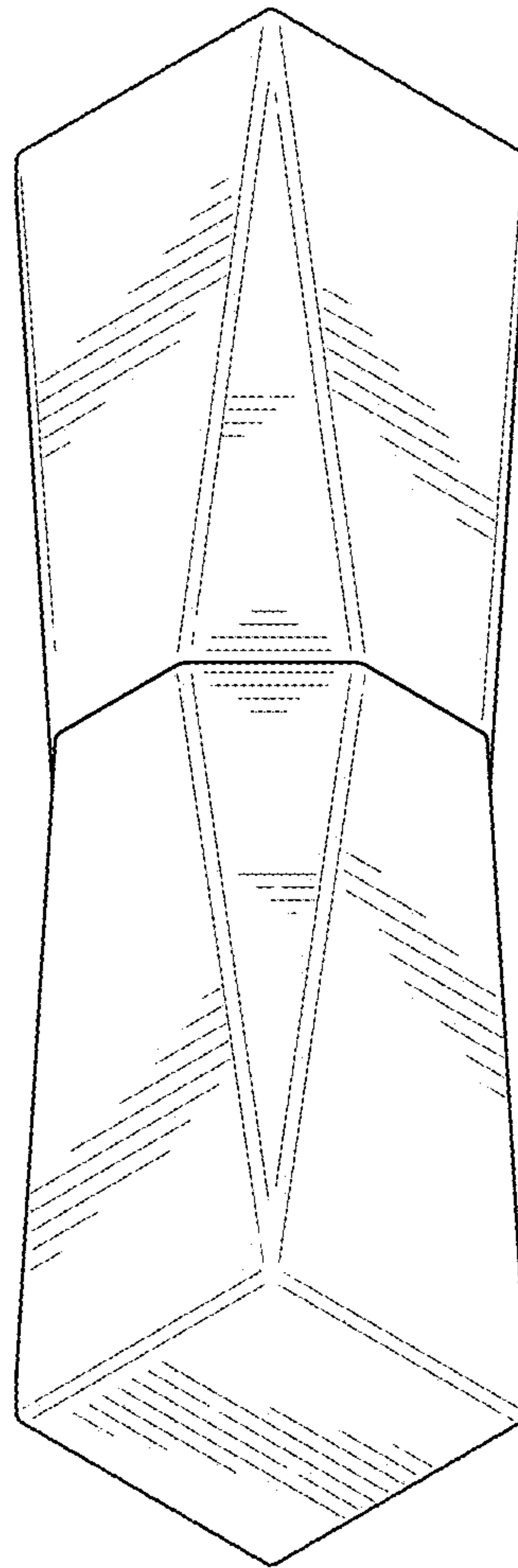


FIG. 2

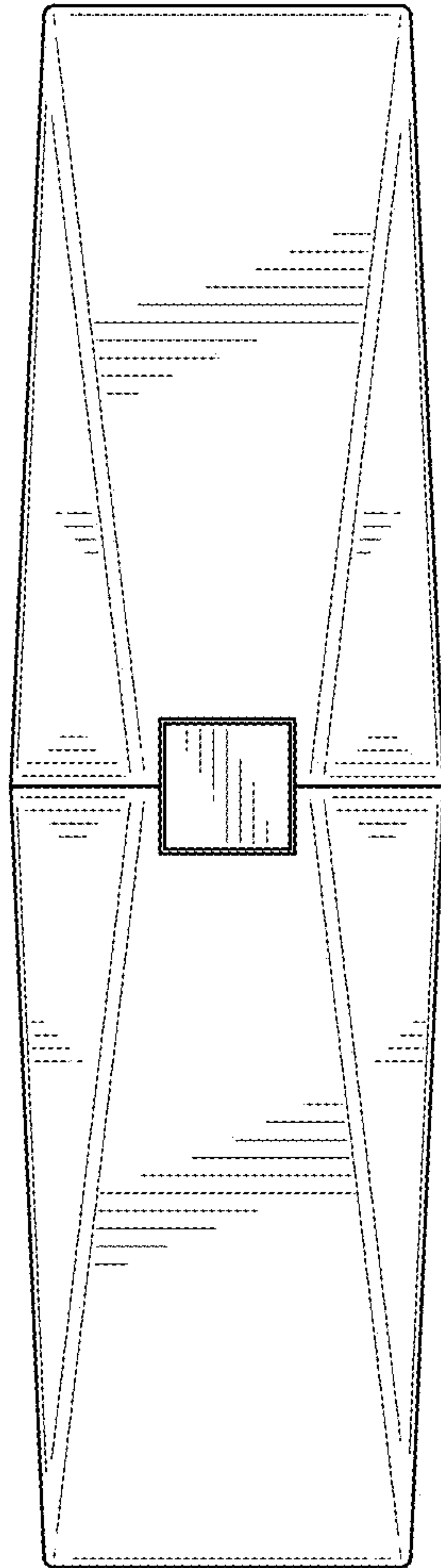


FIG. 3

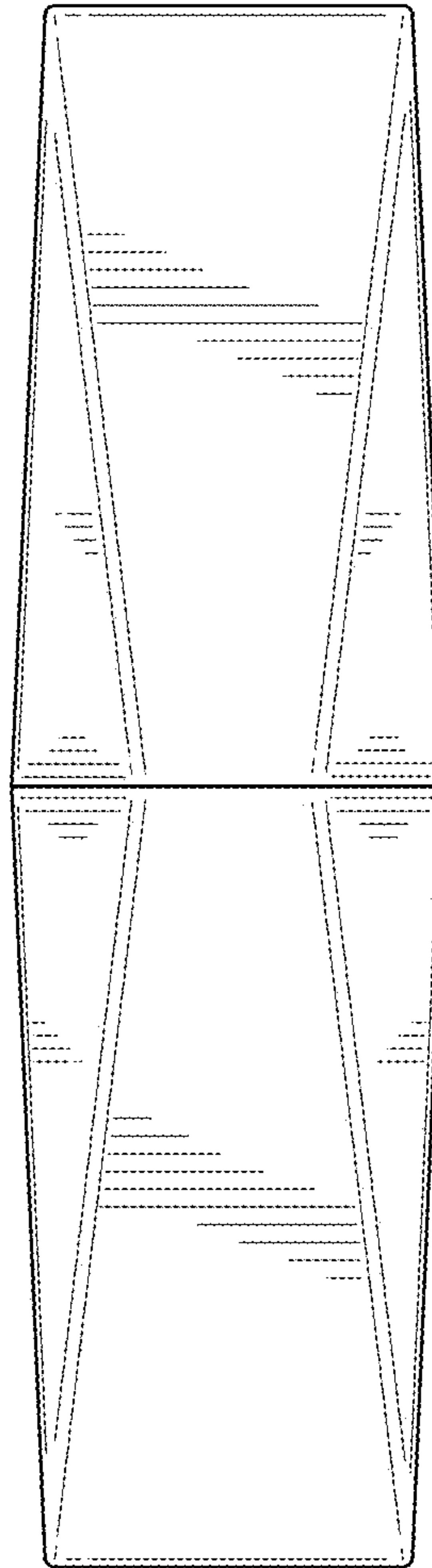


FIG. 4

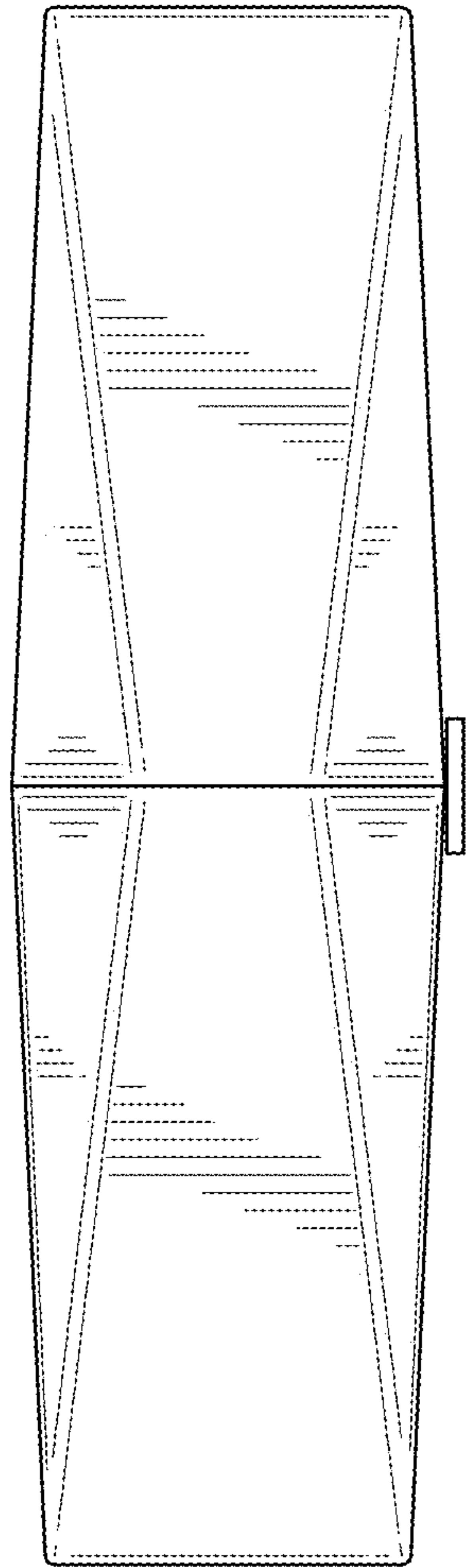


FIG. 5

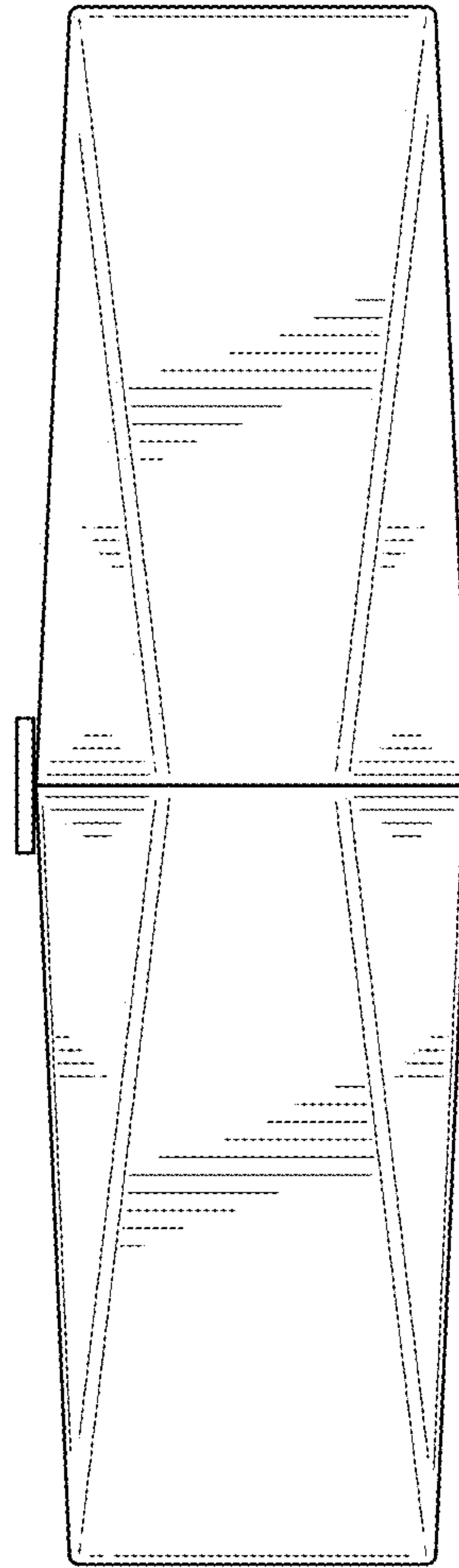


FIG. 6

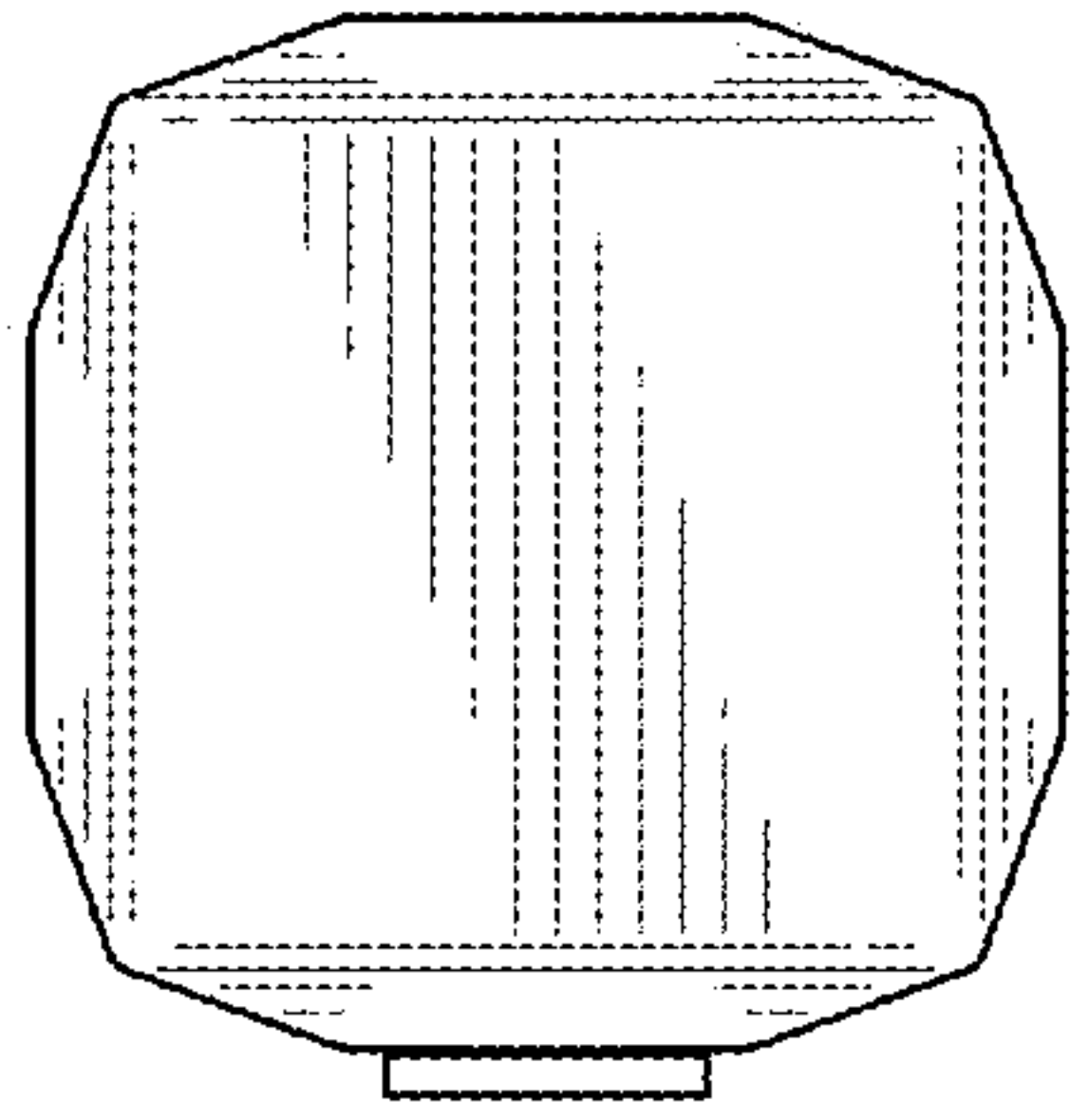


FIG. 7

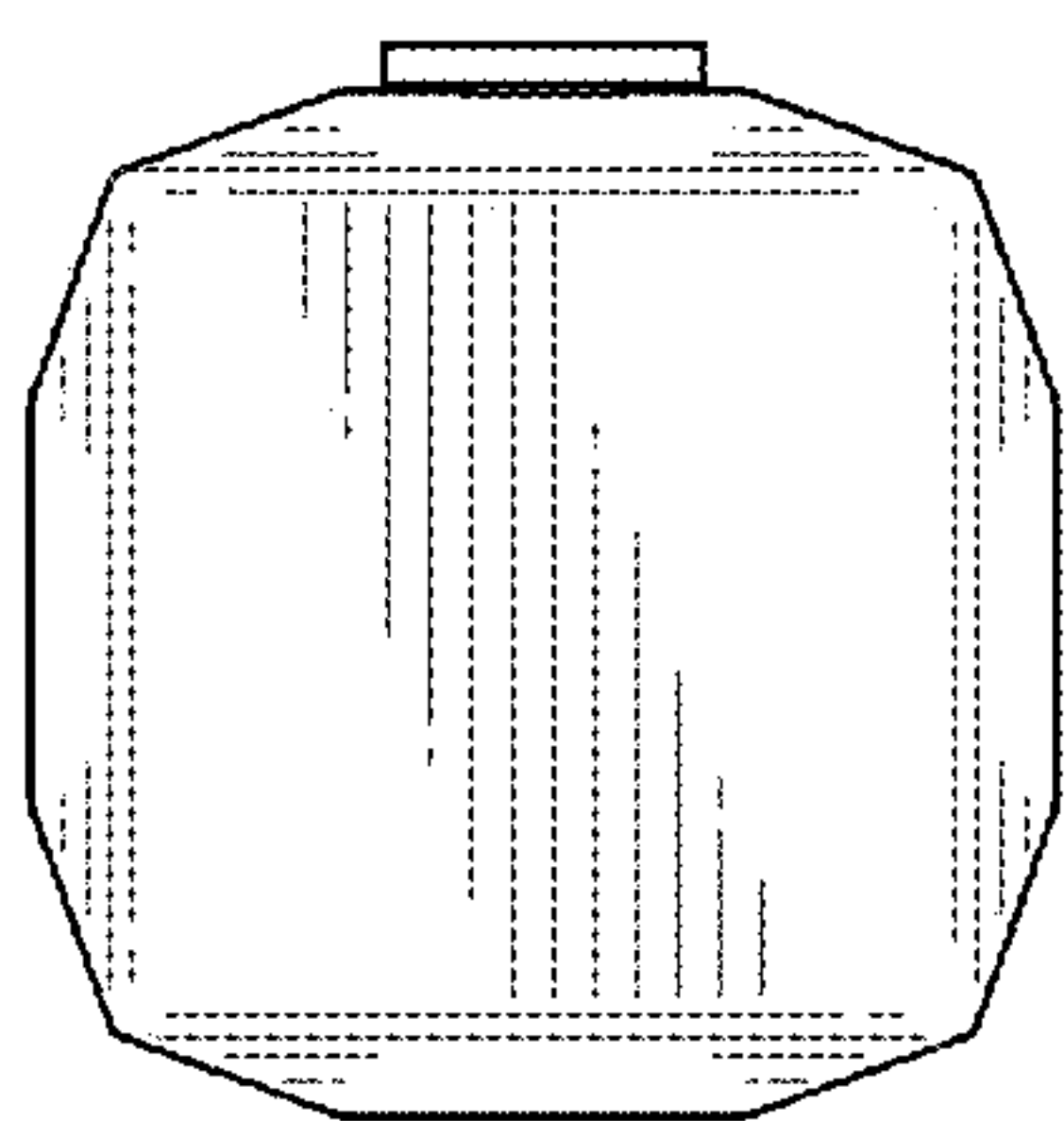
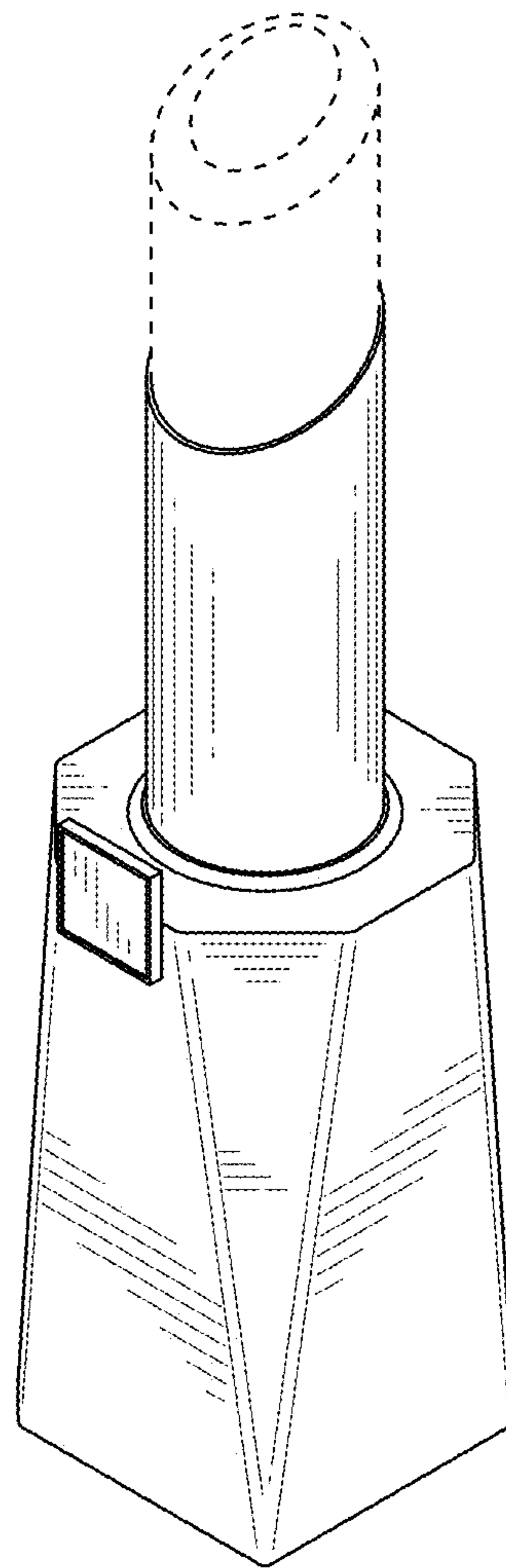
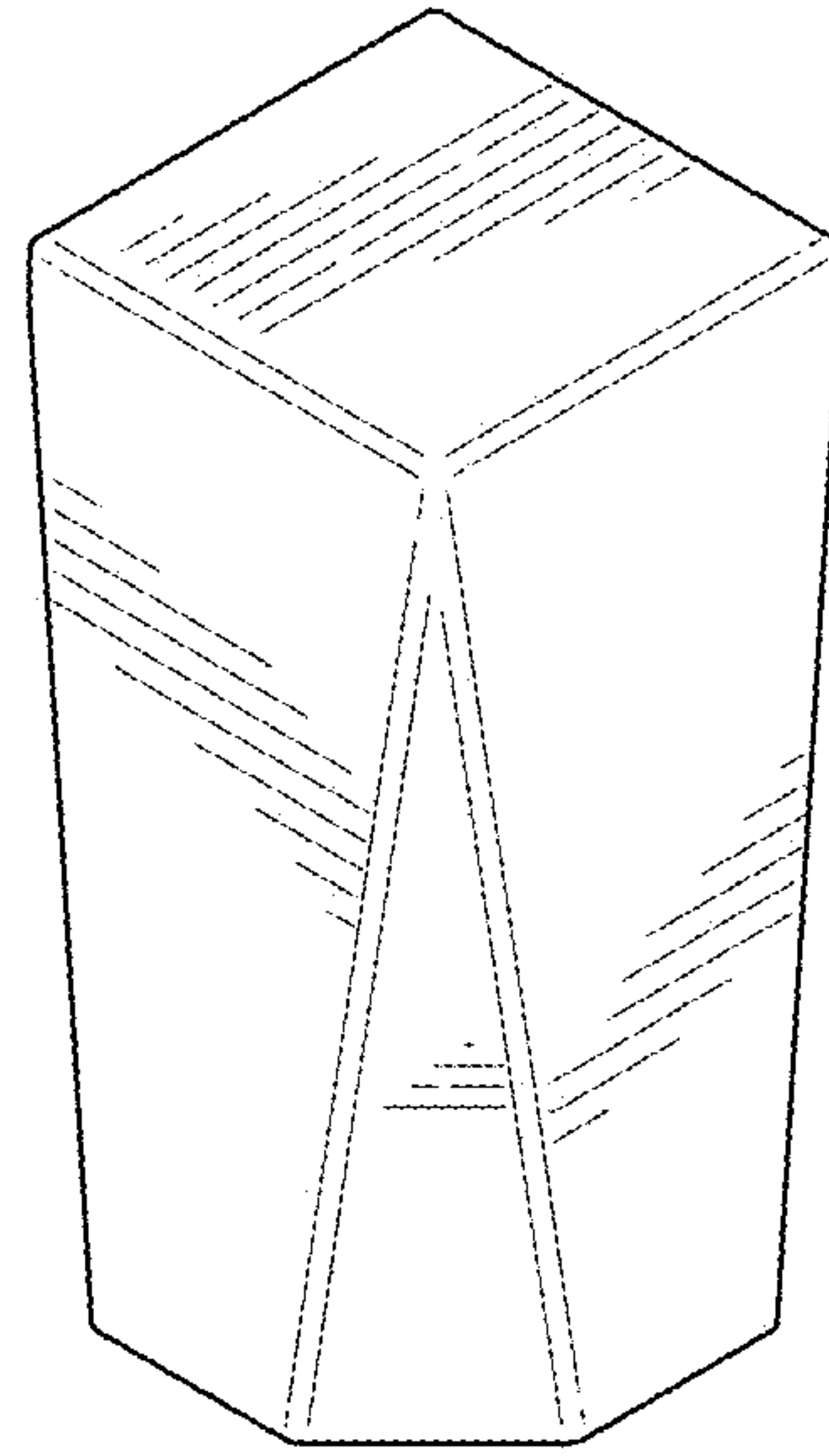


FIG. 8

FIG. 9