



US00D929657S

(12) **United States Design Patent**
Marin

(10) **Patent No.:** **US D929,657 S**

(45) **Date of Patent:** **** Aug. 31, 2021**

(54) **MASCARA CONTAINER**

(71) Applicant: **PRESTIGE ET COLLECTIONS INTERNATIONAL**, Paris (FR)

(72) Inventor: **Alexandra Marin**, Clichy (FR)

(73) Assignee: **PRESTIGE ET COLLECTIONS INTERNATIONAL**, Paris (FR)

(**) Term: **15 Years**

(21) Appl. No.: **29/708,795**

(22) Filed: **Oct. 9, 2019**

(51) **LOC (13) Cl.** **28-03**

(52) **U.S. Cl.**
USPC **D28/76; D28/7; D4/128**

(58) **Field of Classification Search**
USPC D9/432, 434-436, 443, 445, 452, 516,
D9/529, 544, 546, 559, 560, 564, 565,
(Continued)

(56) **References Cited**

U.S. PATENT DOCUMENTS

D293,832 S * 1/1988 White D28/76
D293,833 S * 1/1988 White D28/76
(Continued)

Primary Examiner — W. A. Teddy Falloway

(74) *Attorney, Agent, or Firm* — Edell, Shapiro & Finnan, LLC

(57) **CLAIM**

The ornamental design for a mascara container, as shown and described.

DESCRIPTION

FIG. 1 is a front, left perspective view from above of a mascara container.

FIG. 2 is a rear, left perspective view from below of the mascara container of FIG. 1.

FIG. 3 is a front elevation view of the mascara container of FIG. 1.

FIG. 4 is a rear elevation view of the mascara container of FIG. 1.

FIG. 5 is a left side elevation view of the mascara container of FIG. 1.

FIG. 6 is a right side elevation view of the mascara container of FIG. 1.

FIG. 7 is a top plan view of the mascara container of FIG. 1.

FIG. 8 is a bottom plan view of the mascara container of FIG. 1.

FIG. 9 is a front elevation view of the mascara container of FIG. 1 with the cap portion of the container removed from the bottle portion of the container to show the mascara applicator.

FIG. 10 is a rear elevation view of the mascara container of FIG. 1 with the cap portion of the container removed from the bottle portion of the container to show the mascara applicator.

FIG. 11 is a left side elevation view of the mascara container of FIG. 1 with the cap portion of the container removed from the bottle portion of the container to show the mascara applicator.

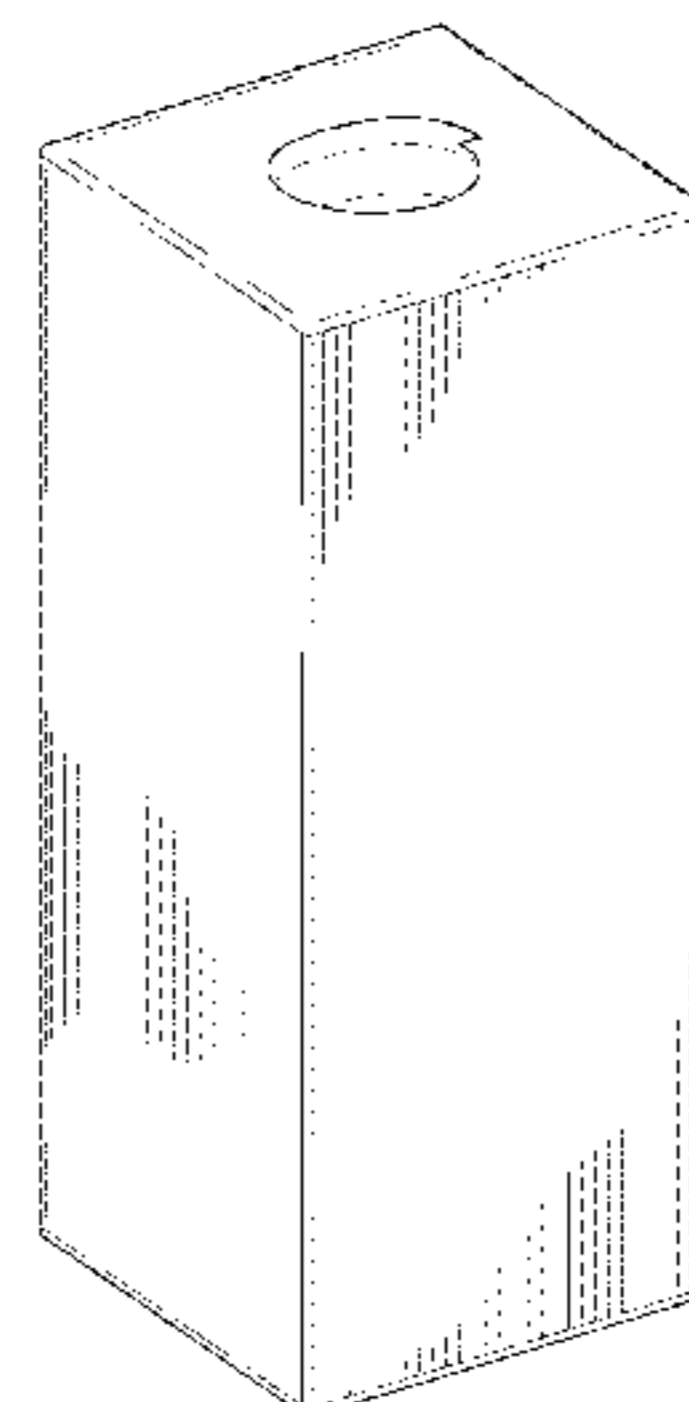
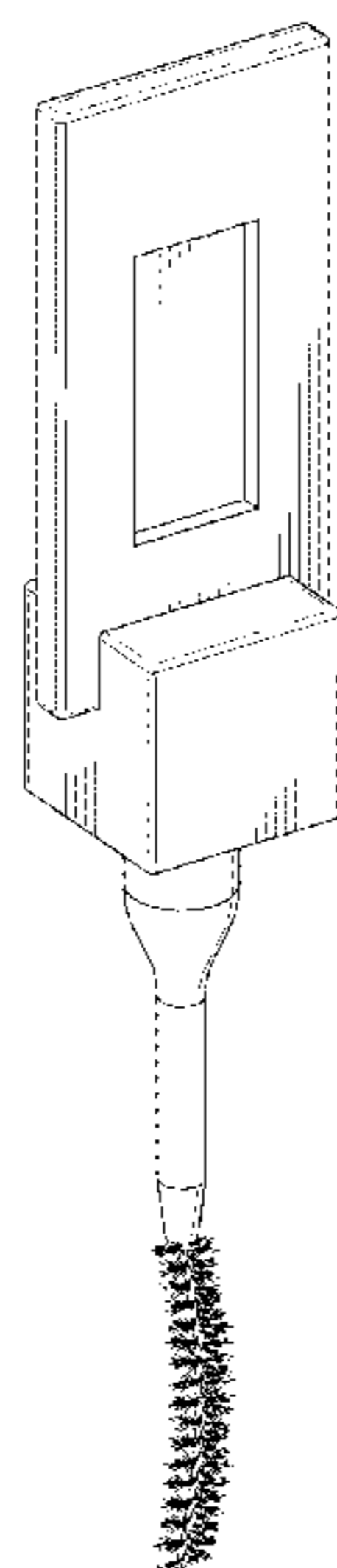
FIG. 12 is a right side elevation view of the mascara container of FIG. 1 with the cap portion of the container removed from the bottle portion of the container to show the mascara applicator.

FIG. 13 is a front, right perspective view from below of the mascara container of FIG. 1 with the cap portion of the container removed from the bottle portion of the container to show the mascara applicator; and,

FIG. 14 is a front, left perspective view from above of the mascara container of FIG. 1 with the cap portion of the container removed from the bottle portion of the container to show the mascara applicator.

The broken lines in the drawing figures illustrate portions of the mascara container that form no part of claimed design.

1 Claim, 10 Drawing Sheets



(58) **Field of Classification Search**

USPC D9/570–575, 715, 719; D28/4, 7, 76, 83,
D28/85; D14/480.1, 480.3; D4/116, 128
CPC B65D 21/0204; B65D 2501/0081; A45D
40/0068; A45D 33/00; A45D 33/34
See application file for complete search history.

(56) **References Cited**

U.S. PATENT DOCUMENTS

D354,917	S *	1/1995	Kusz	D9/560
D456,609	S *	5/2002	Blom	D4/116
7,231,926	B2 *	6/2007	Kim	A46B 7/04 132/218
D572,604	S *	7/2008	Garofano	D28/77
D606,077	S *	12/2009	Hu	D14/480.1
D713,097	S *	9/2014	Goswell	D28/77
D804,491	S *	12/2017	Lin	D14/480.3
D868,576	S *	12/2019	Rosebrook	D9/418
D885,893	S *	6/2020	Tamarindo	D9/443
D889,848	S *	7/2020	Park	D4/114
D899,247	S *	10/2020	Kilduff	D9/432
2009/0279937	A1 *	11/2009	Peck	A46B 11/0003 401/128
2013/0121748	A1 *	5/2013	Ramirez	A45D 40/0068 401/116
2020/0253357	A1 *	8/2020	Roualdes	A45D 40/265

* cited by examiner

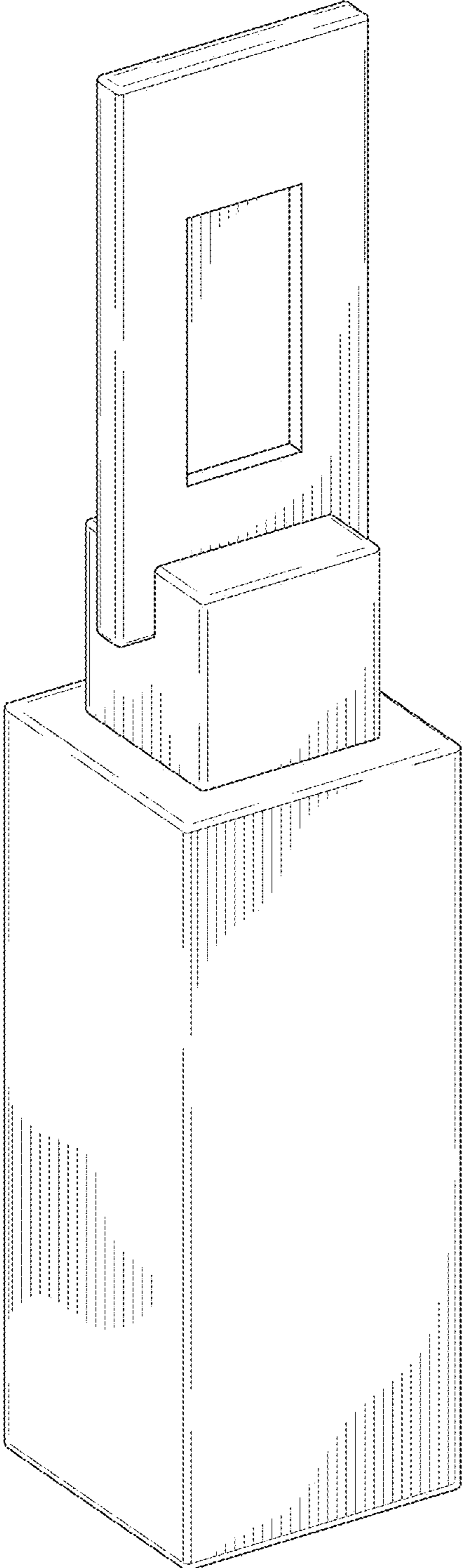


FIG.1

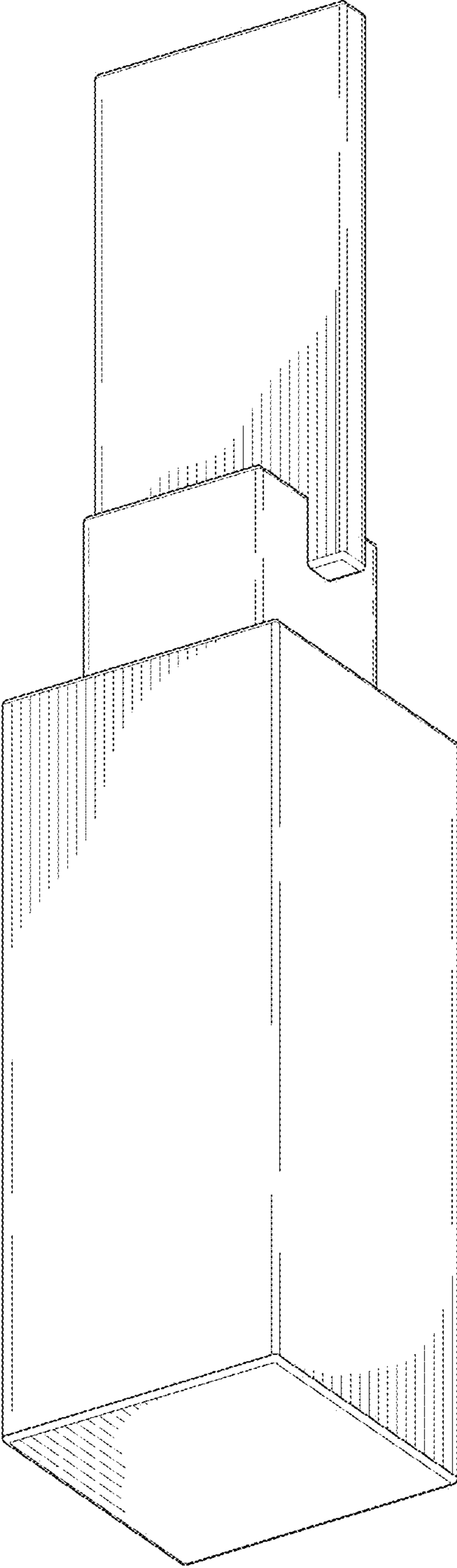


FIG.2

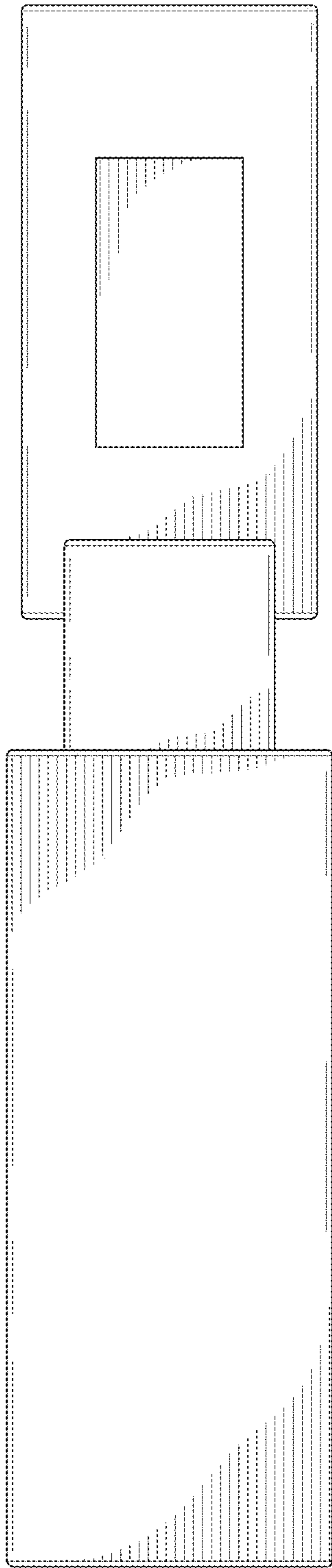


FIG.3

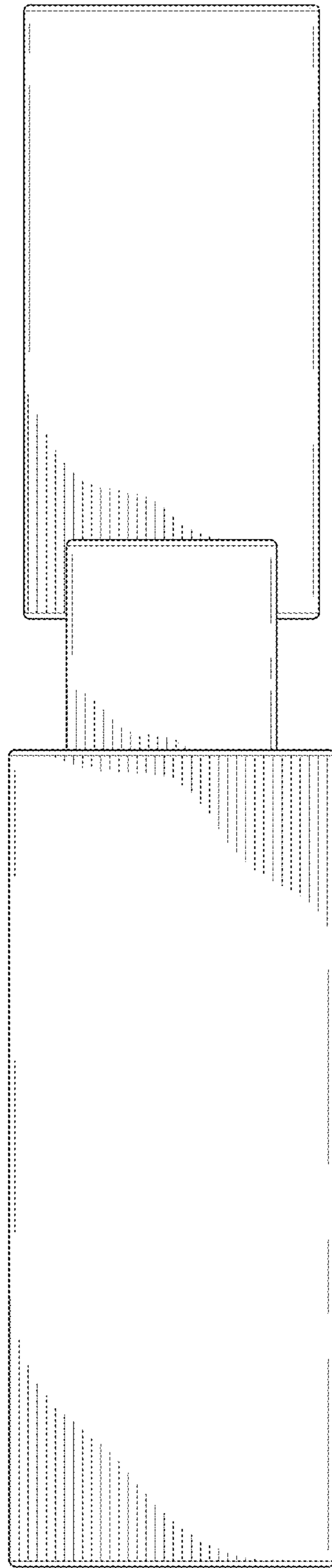


FIG.4

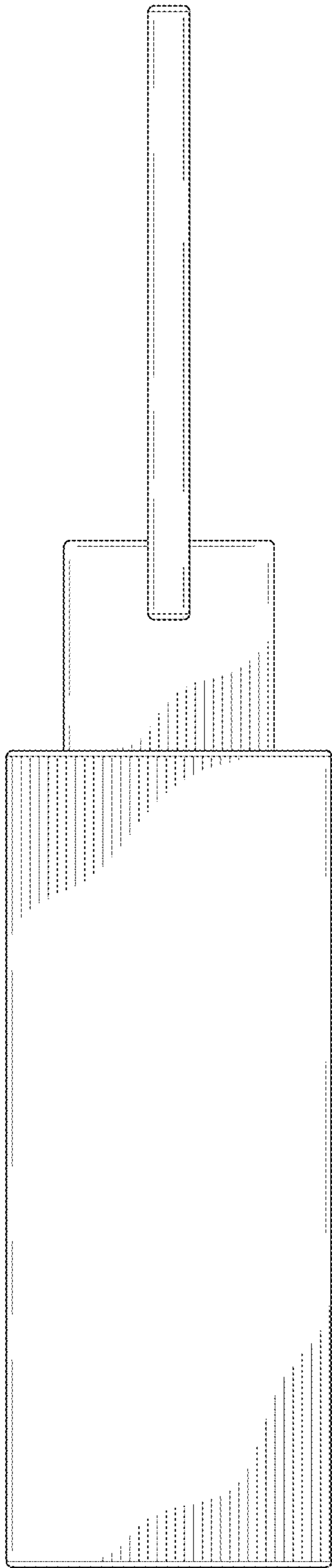


FIG. 5

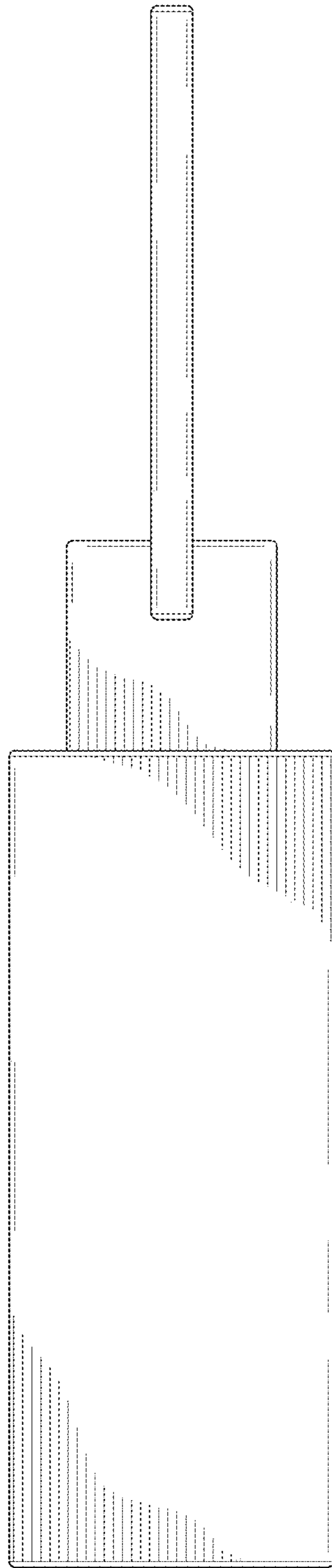


FIG. 6

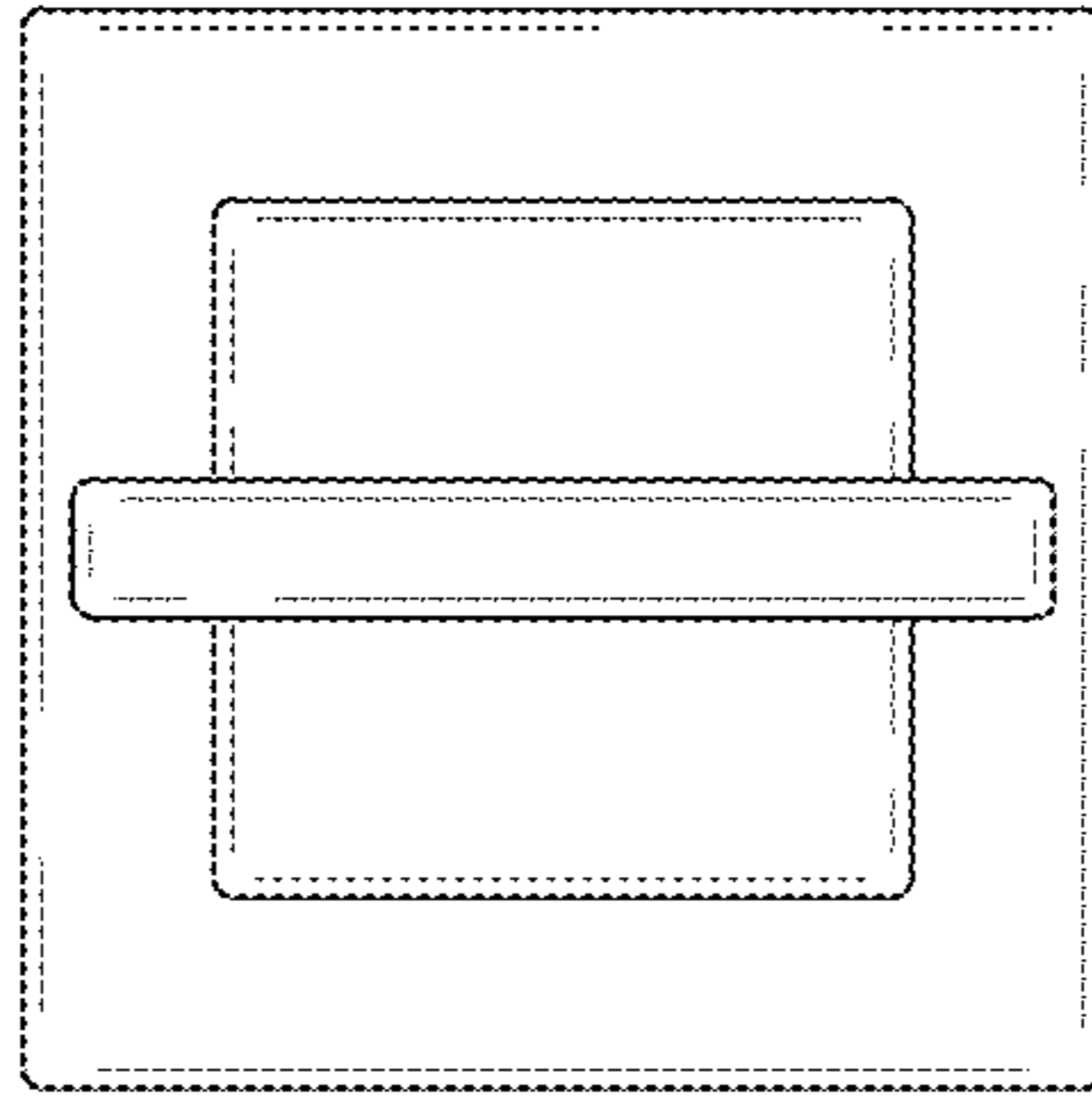


FIG. 7

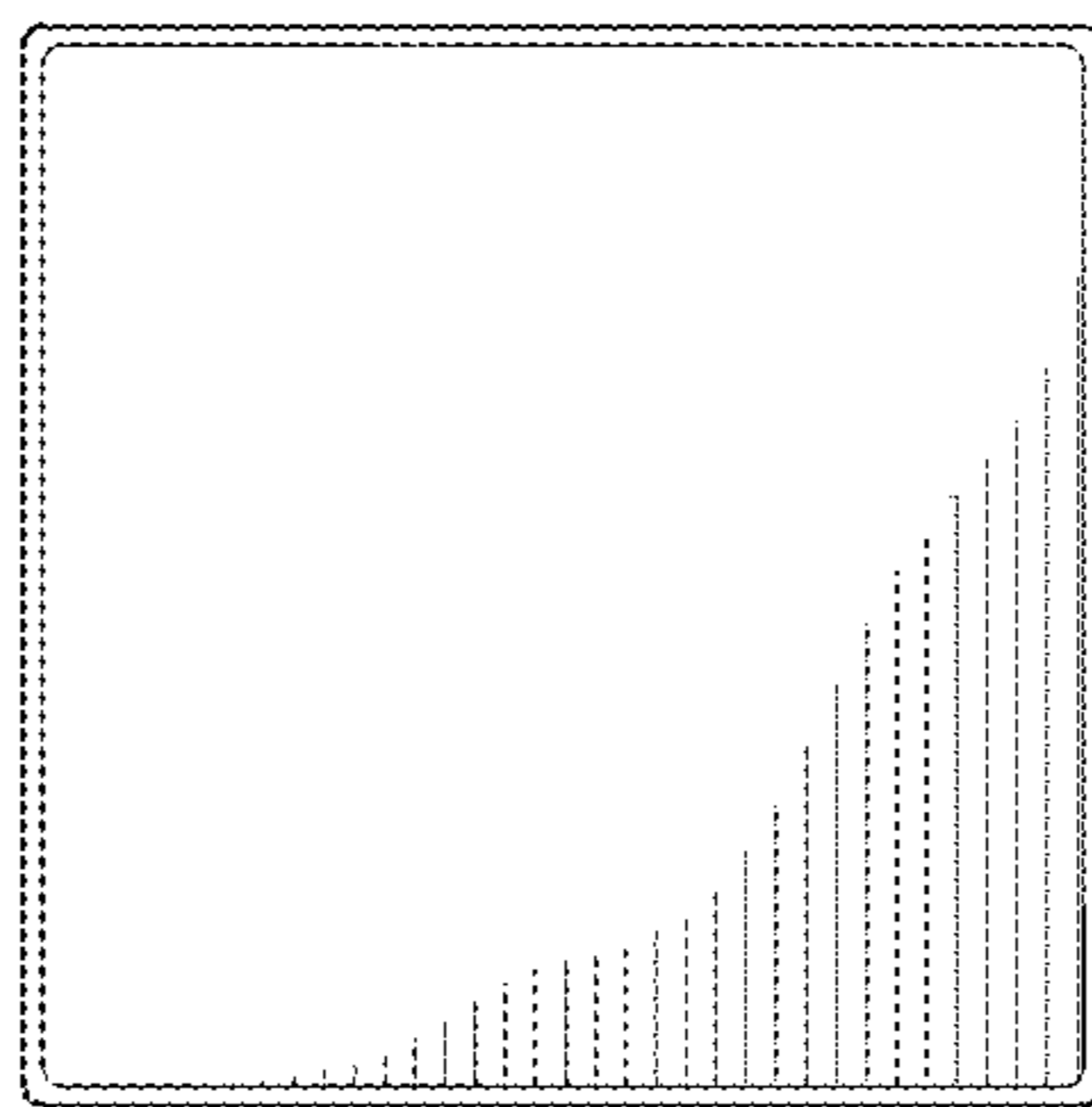


FIG. 8

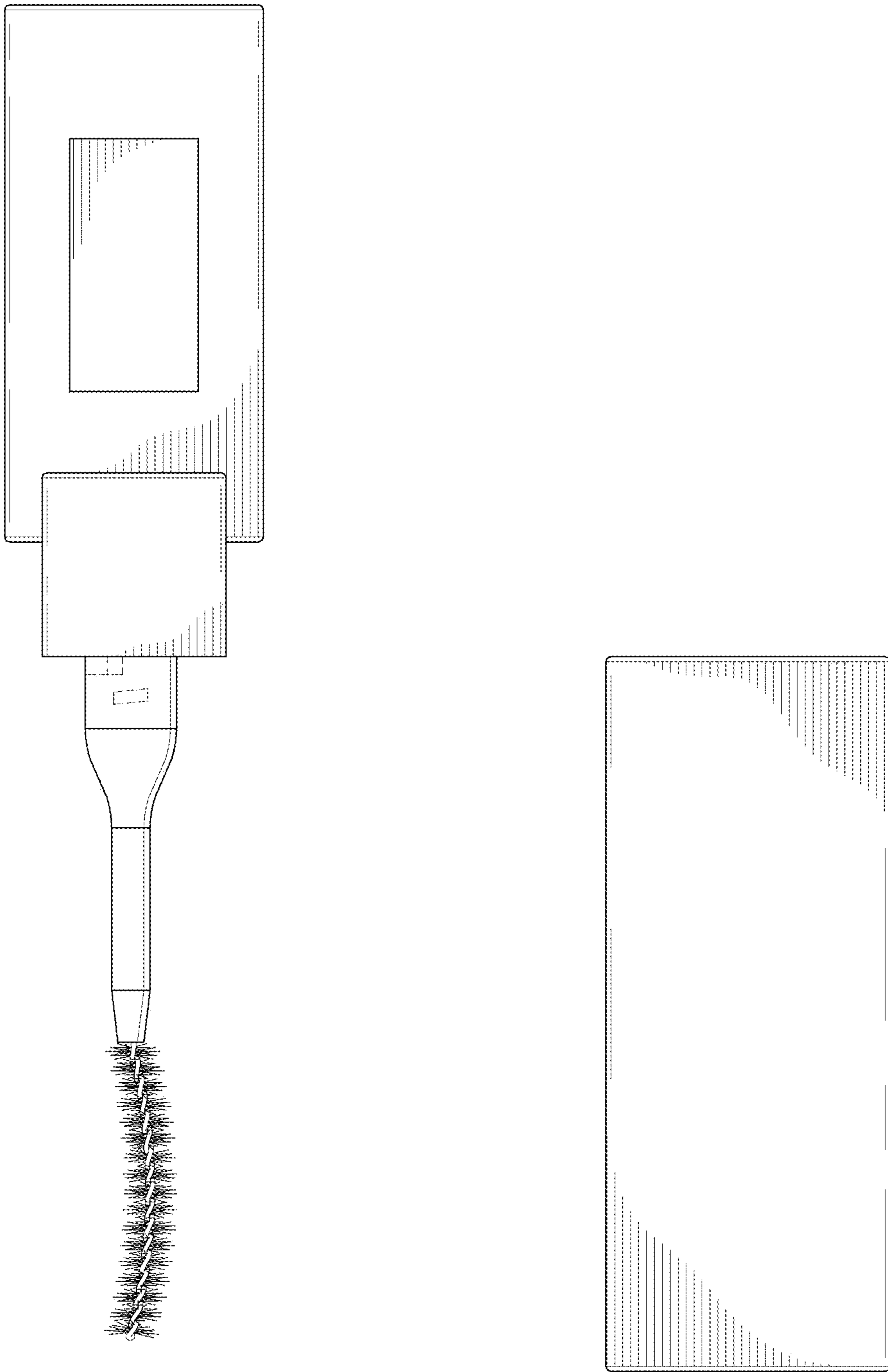


FIG.9

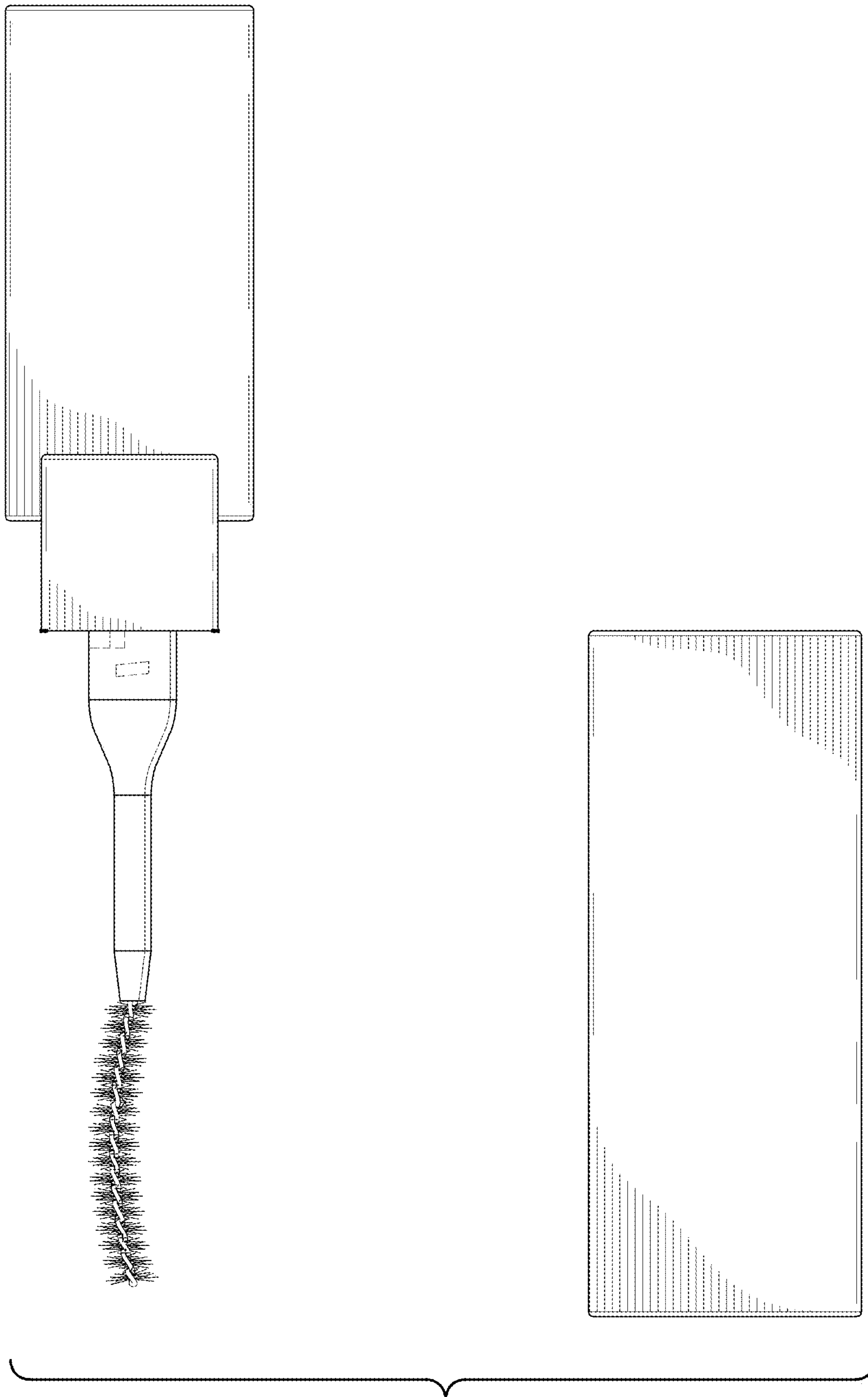


FIG.10

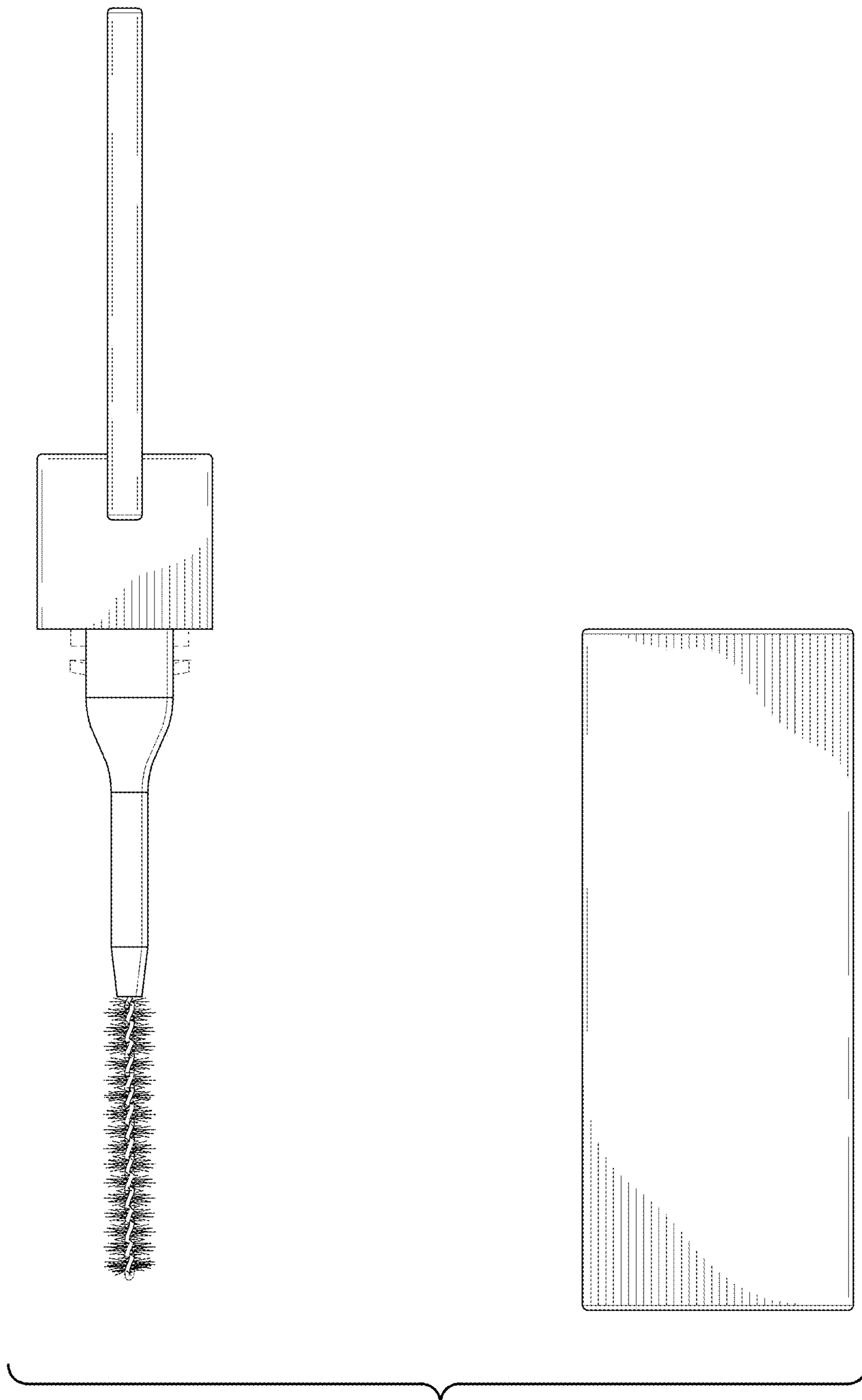


FIG.11

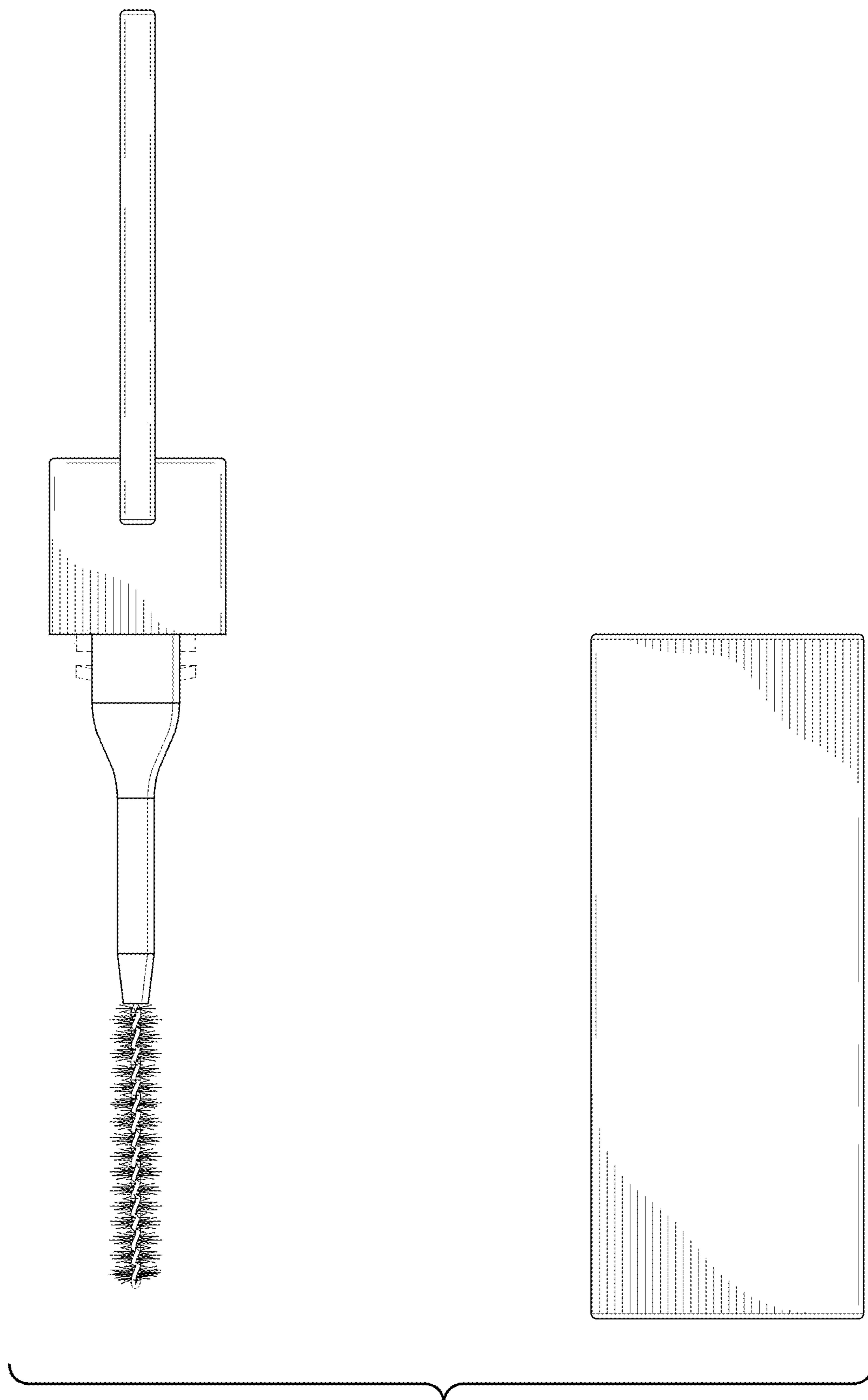


FIG.12

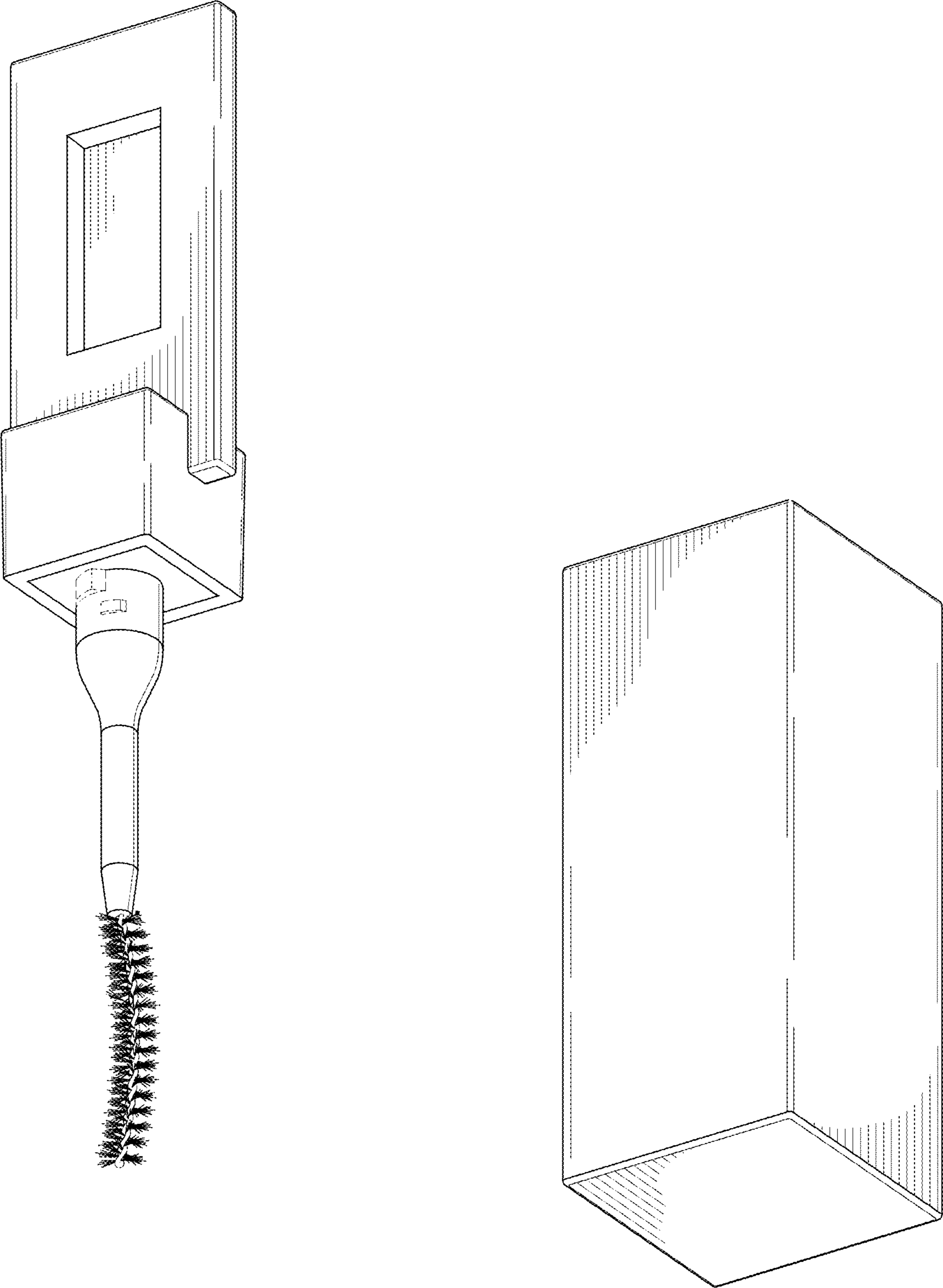


FIG.13

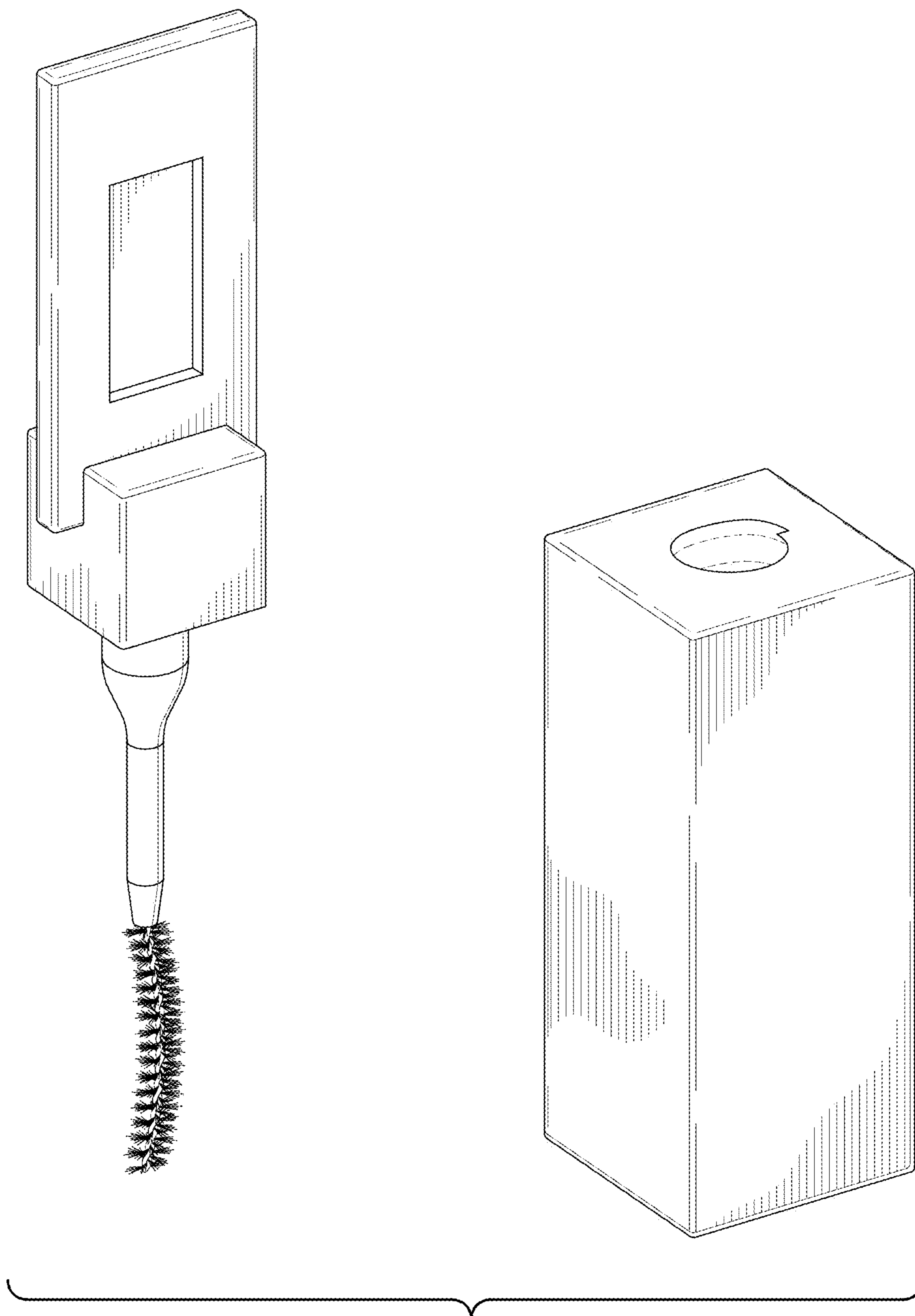


FIG.14