

US00D929654S

(12) **United States Design Patent** (10) **Patent No.:** **US D929,654 S**  
**Riehle et al.** (45) **Date of Patent:** **\*\* Aug. 31, 2021**

(54) **RAZOR**  
 (71) Applicant: **The Gillette Company LLC**, Boston, MA (US)  
 (72) Inventors: **Jonathon Albert Riehle**, Brighton, MA (US); **Regan Marie Fiascone**, Boston, MA (US)  
 (73) Assignee: **The Gillette Company LLC**, Boston, MA (US)  
 (\*\*) Term: **15 Years**

D345,821 S \* 4/1994 Wonderley ..... D28/48  
 D425,250 S \* 5/2000 Gray ..... D28/48  
 D476,113 S \* 6/2003 Wonderley ..... D28/48  
 D500,171 S \* 12/2004 Lee ..... D28/46  
 7,152,512 B1 \* 12/2006 Prochaska ..... B26B 21/225  
 83/13  
 D619,765 S \* 7/2010 Rhoad ..... D28/48  
 D670,029 S \* 10/2012 Hasegawa ..... D28/48  
 D703,377 S \* 4/2014 Christie ..... D28/48  
 D729,452 S \* 5/2015 Griffin ..... D28/48  
 D731,709 S \* 6/2015 Provost ..... D28/48  
 D739,605 S \* 9/2015 Christie ..... D28/48  
 D822,278 S \* 7/2018 Ahn ..... D28/48  
 D843,659 S \* 3/2019 Go ..... D28/48  
 D877,982 S \* 3/2020 Bittencourt ..... D28/46

(21) Appl. No.: **29/732,632**  
 (22) Filed: **Apr. 27, 2020**  
 (51) **LOC (13) Cl.** ..... **28-03**  
 (52) **U.S. Cl.**  
 USPC ..... **D28/46**  
 (58) **Field of Classification Search**  
 USPC ..... D28/46-48  
 CPC ... B26B 21/00; B26B 21/08; B26B 21/14-18;  
 B26B 21/185-227; B26B 21/40; B26B  
 21/4062-4075; B26B 21/44-48; B26B  
 21/30-32; B26B 21/50-528  
 See application file for complete search history.

\* cited by examiner

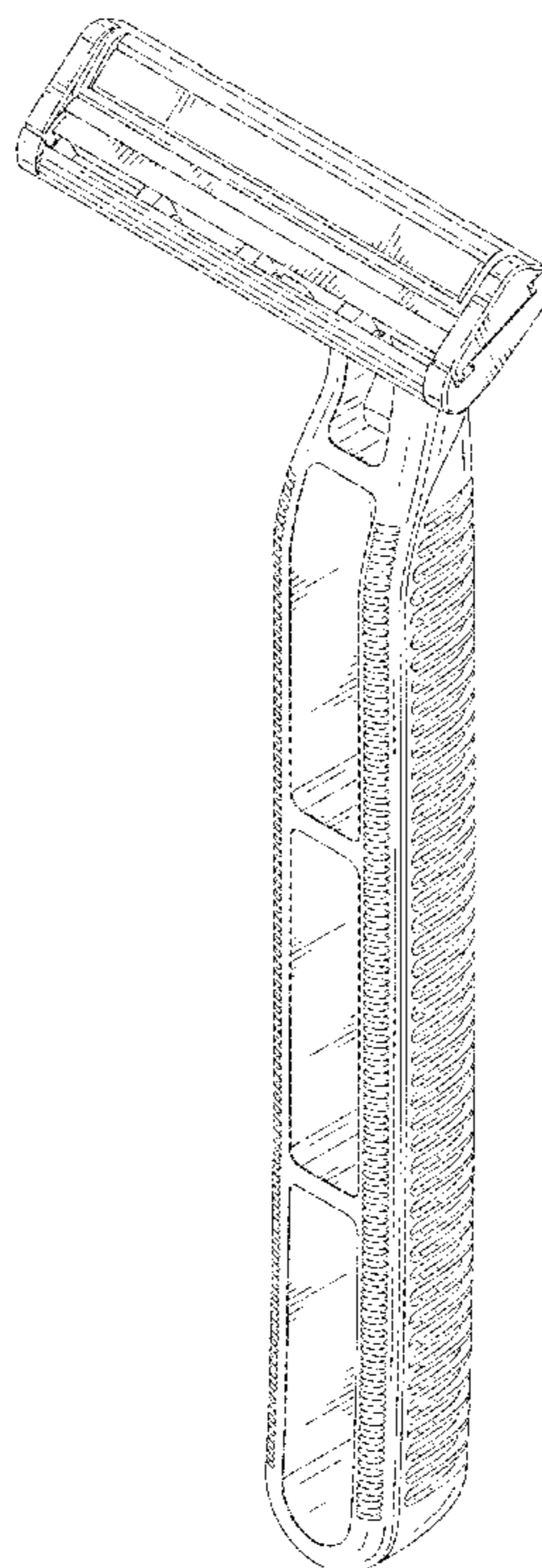
*Primary Examiner* — Jennifer Rivard  
 (74) *Attorney, Agent, or Firm* — Joanne N. Pappas; Kevin C. Johnson

(56) **References Cited**  
 U.S. PATENT DOCUMENTS  
 D261,564 S \* 10/1981 Poisson ..... D28/48  
 D269,724 S \* 7/1983 Chase ..... D28/46  
 D335,722 S \* 5/1993 Gray ..... D28/48  
 D345,232 S \* 3/1994 Gray ..... D28/46  
 D345,441 S \* 3/1994 Gray ..... D28/48

(57) **CLAIM**  
 The ornamental design for a razor, as shown and described.

**DESCRIPTION**  
 FIG. 1 is a perspective view of a design of a razor of the present invention;  
 FIG. 2 is a front view thereof;  
 FIG. 3 is a back view thereof;  
 FIG. 4 is a right side view thereof;  
 FIG. 5 is a left side view thereof;  
 FIG. 6 is a top view thereof;  
 FIG. 7 is a bottom view thereof; and,  
 FIG. 8 is a rear perspective view thereof.

**1 Claim, 6 Drawing Sheets**



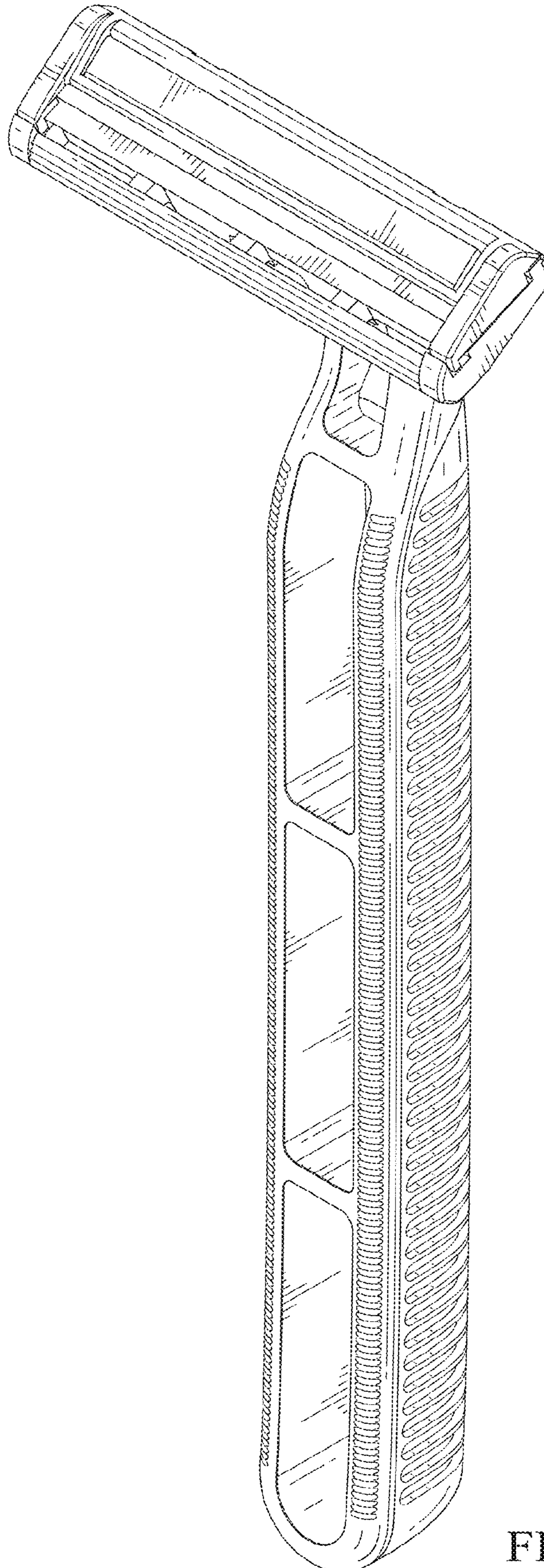


FIG. 1

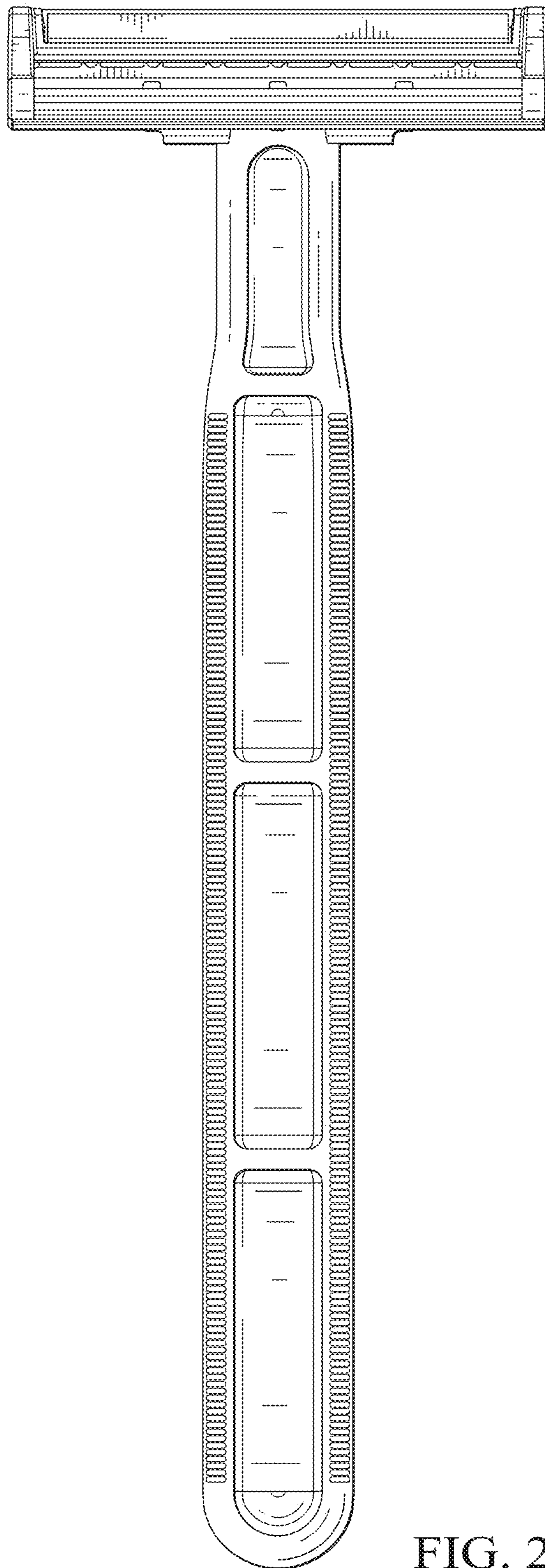


FIG. 2

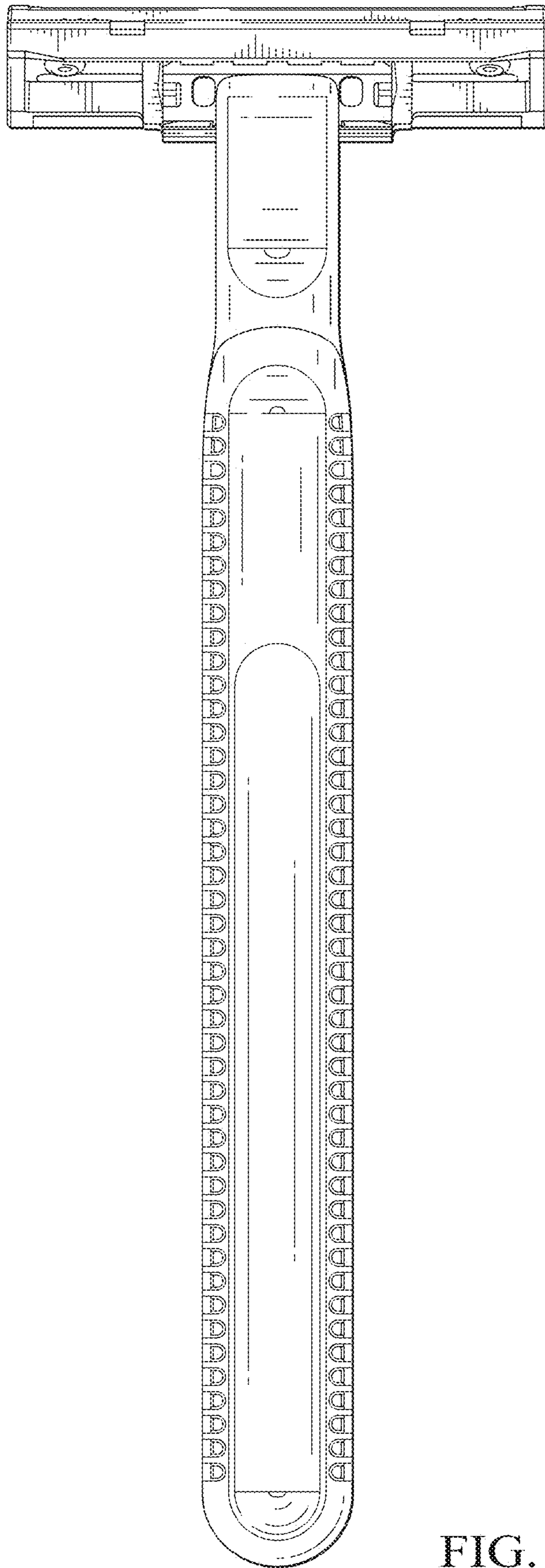


FIG. 3

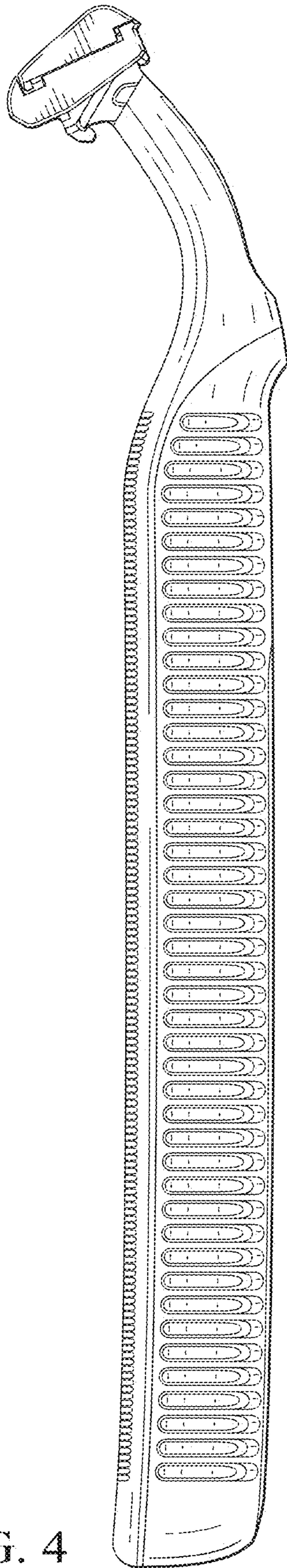


FIG. 4

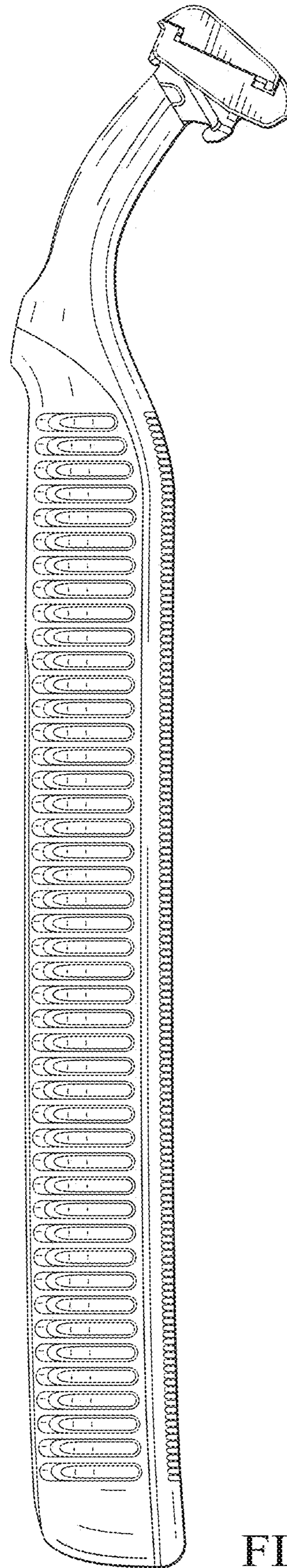


FIG. 5

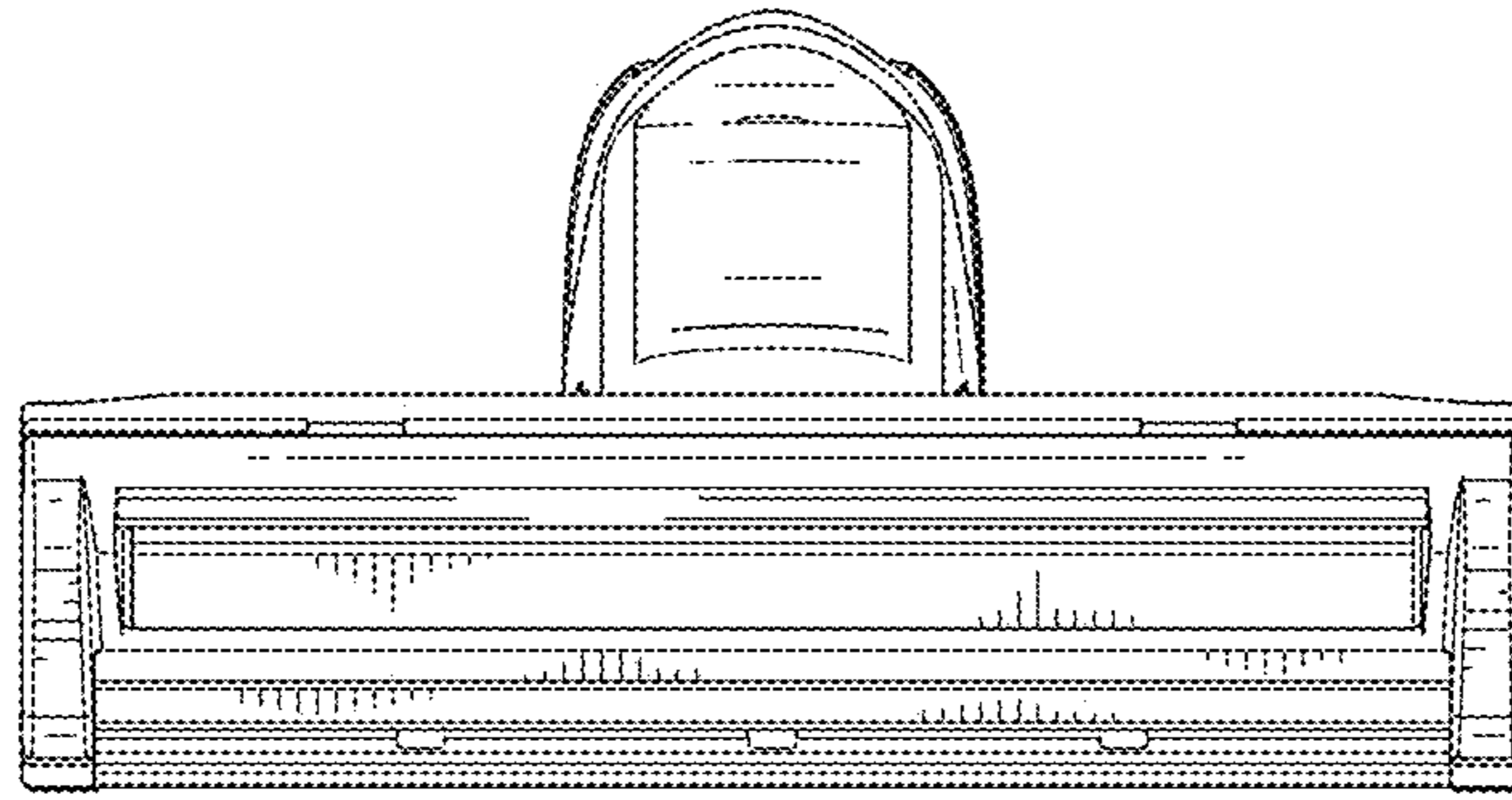


FIG. 6

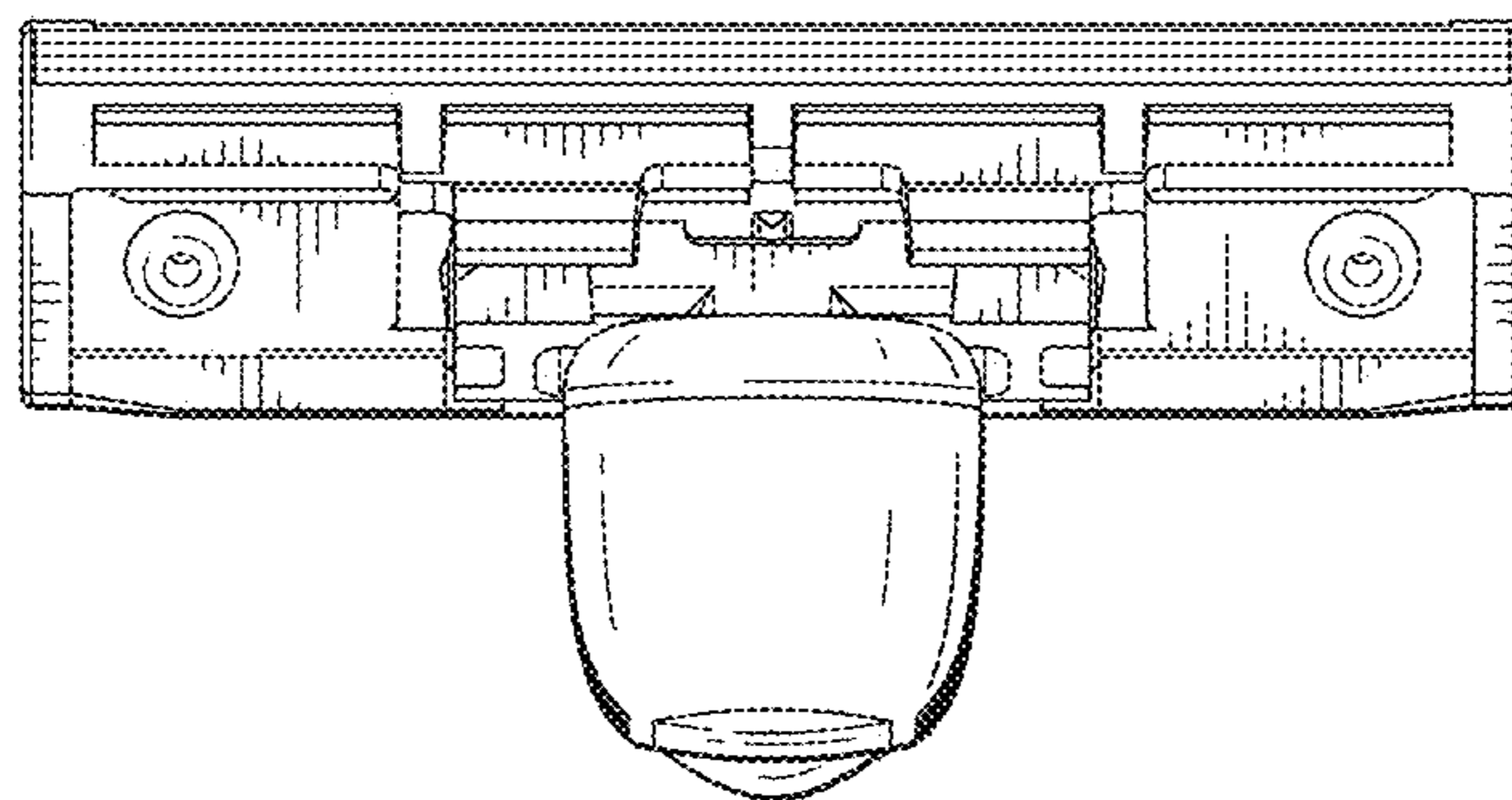


FIG. 7

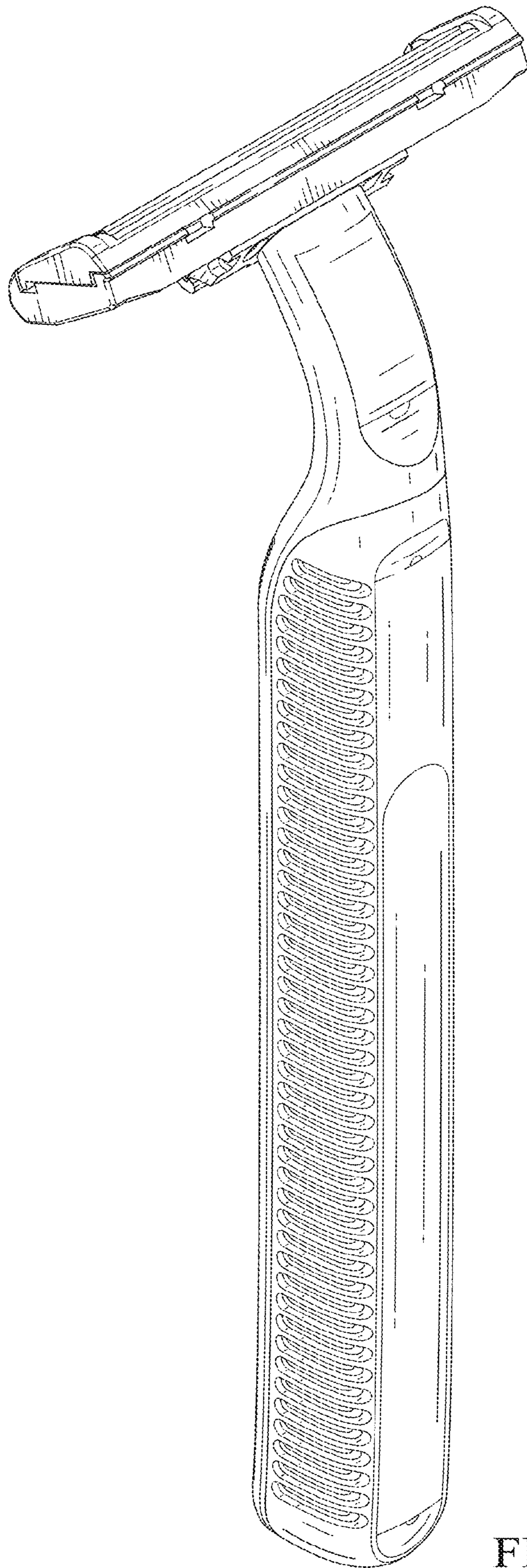


FIG. 8