



US00D929652S

(12) **United States Design Patent**
He et al.

(10) **Patent No.:** **US D929,652 S**
(45) **Date of Patent:** **** Aug. 31, 2021**

(54) **ELECTRONIC CIGARETTE**
(71) Applicant: **Cheng Uei Precision Industry Co., LTD.**, New Taipei (TW)
(72) Inventors: **Xiang-Cheng He**, Dong-Guan (CN);
Ming-Cheng Zi, Dong-Guan (CN);
Zan-Guo Zhou, Dong-Guan (CN)
(73) Assignee: **CHENG UEI PRECISION INDUSTRY CO., LTD.**, New Taipei (TW)

(**) Term: **15 Years**
(21) Appl. No.: **29/734,334**
(22) Filed: **May 11, 2020**

(30) **Foreign Application Priority Data**

Apr. 10, 2020 (CN) 202030140045.5

(51) **LOC (13) Cl.** **27-02**
(52) **U.S. Cl.**
USPC **D27/162**

(58) **Field of Classification Search**
USPC D27/100, 101, 162, 163, 164, 165, 166, D27/167, 168, 169, 170, 171, 172, 173, D27/174, 175, 176, 177, 178, 179, 180, D27/181, 182, 183, 184, 185, 186, 187, D27/188, 189, 190, 191, 192, 193, 194, D27/196; D28/91.1; D23/360, 362; D24/110, 110.4, 110.5, 110.6, 113
CPC A24F 40/10; A24F 40/40; A24F 40/46; A24F 47/008; A24F 40/60; A24F 40/70; A24F 40/51; A24F 40/20; A24F 40/05; A24F 40/90; A24F 40/30; A24F 40/95; A24F 40/00; A24F 7/00; A24F 13/00; A24F 13/14; A24F 1/32; A24F 40/49; A24F 42/60; A24F 42/80; A24F 47/002; A24F 7/02; A24F 9/16; A24F 40/42; A24F 40/57; A24F 15/015; A24F 40/465; A24F 1/02; A24F 2700/03; A24F 15/01;

A24F 1/28; A24F 40/85; A24F 42/00; A24F 42/10; A24F 42/20; A24F 47/004; A24F 47/006; A24F 7/04; A24F 40/485; A24F 40/44; A24F 40/48; A24F 40/50; A24F 1/00; A24F 47/00; A24F 40/53; A24F 40/65

See application file for complete search history.

(56) **References Cited**

U.S. PATENT DOCUMENTS

D779,719 S *	2/2017	Qiu	D27/101
D799,110 S *	10/2017	Qiu	D27/101
D799,112 S *	10/2017	Qiu	D27/101
D799,113 S *	10/2017	Qiu	D27/101
D822,896 S *	7/2018	Durand	D27/101
D829,980 S *	10/2018	Qiu	D27/162
D832,500 S *	10/2018	Qiu	D27/162
D855,251 S *	7/2019	Qiu	D27/162

(Continued)

FOREIGN PATENT DOCUMENTS

CN 201930492854.X * 4/2020

Primary Examiner — Marissa J Cash
Assistant Examiner — William B Melliar
(74) *Attorney, Agent, or Firm* — Cheng-Ju Chiang

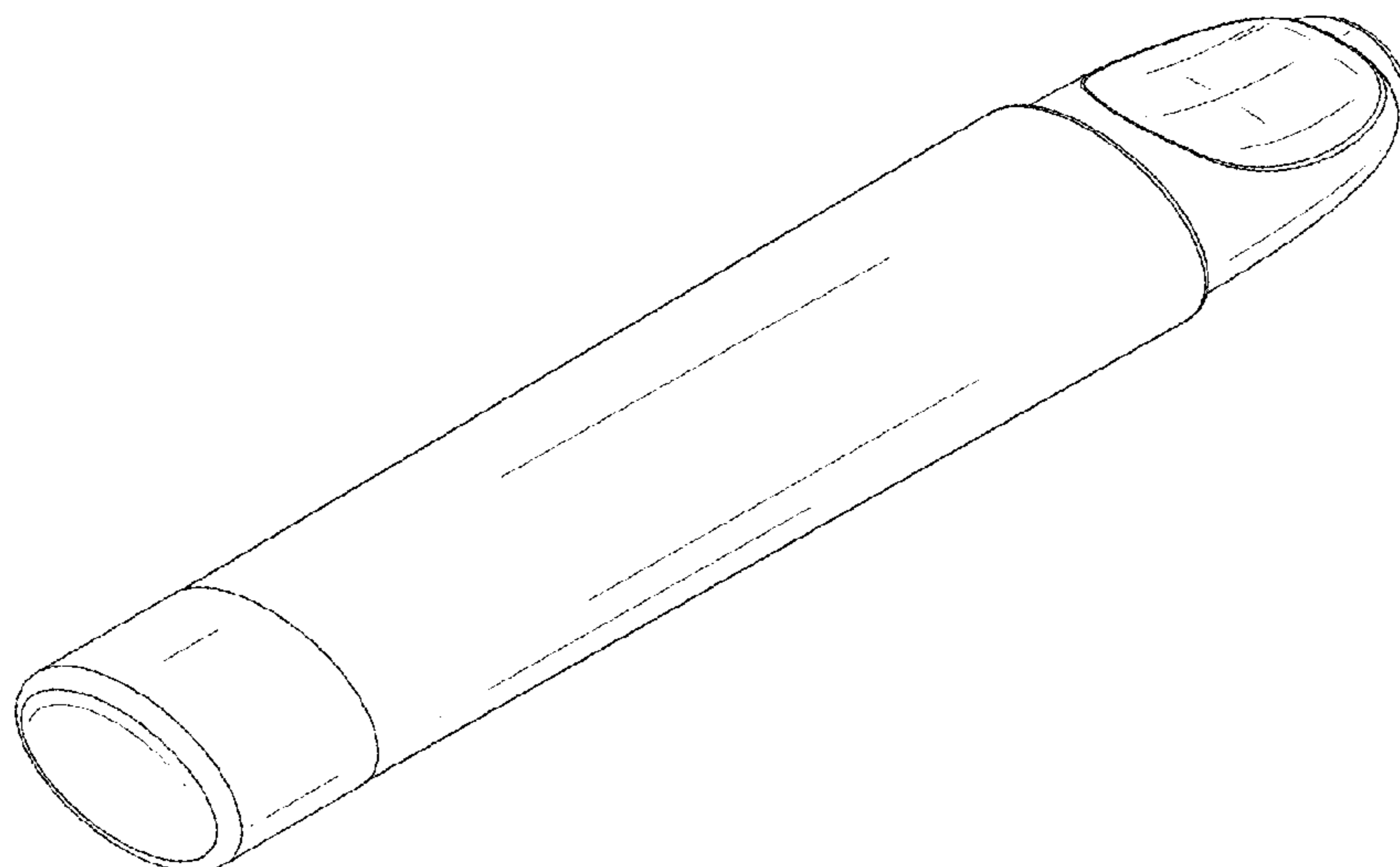
(57) **CLAIM**

The ornamental design for an electronic cigarette, as shown and described.

DESCRIPTION

FIG. 1 is a perspective view of an electronic cigarette showing our new design;
FIG. 2 is a front elevational view thereof;
FIG. 3 is a rear elevational view thereof;
FIG. 4 is a left side elevational view thereof;
FIG. 5 is a right side elevational view thereof;
FIG. 6 is a top plan view thereof; and,
FIG. 7 is a bottom plan view thereof.

1 Claim, 7 Drawing Sheets



(56)

References Cited

U.S. PATENT DOCUMENTS

D875,302 S *	2/2020	Pan	D27/162
D889,736 S *	7/2020	Han	D27/162
D891,691 S *	7/2020	Chen	D27/162
D905,329 S *	12/2020	Wang	D27/162
D908,279 S *	1/2021	Li	D27/162
D910,910 S *	2/2021	Yang	D27/162
D912,890 S *	3/2021	Liu	D27/162
2019/0208825 A1 *	7/2019	Qiu	A24F 40/42

* cited by examiner

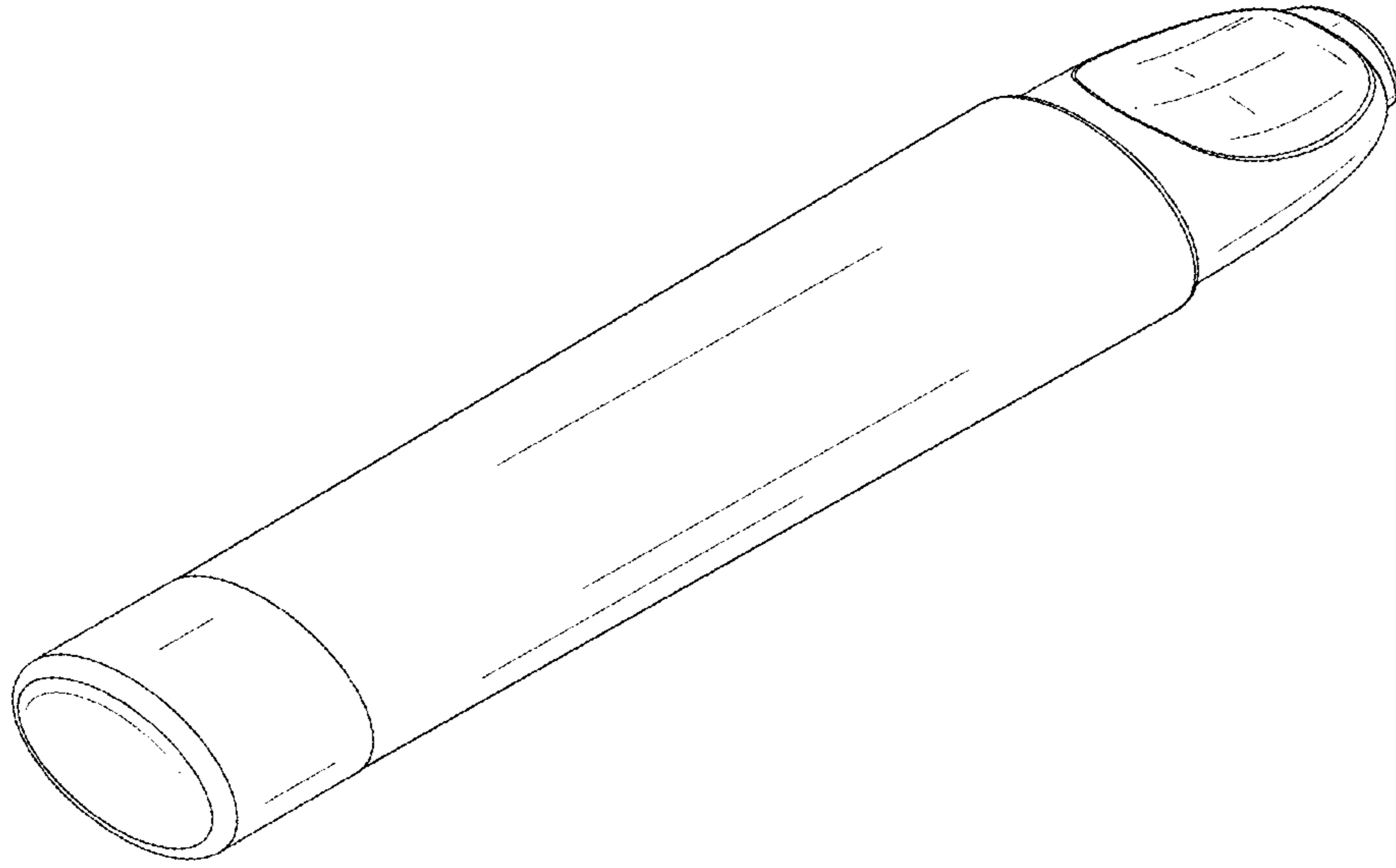


FIG. 1

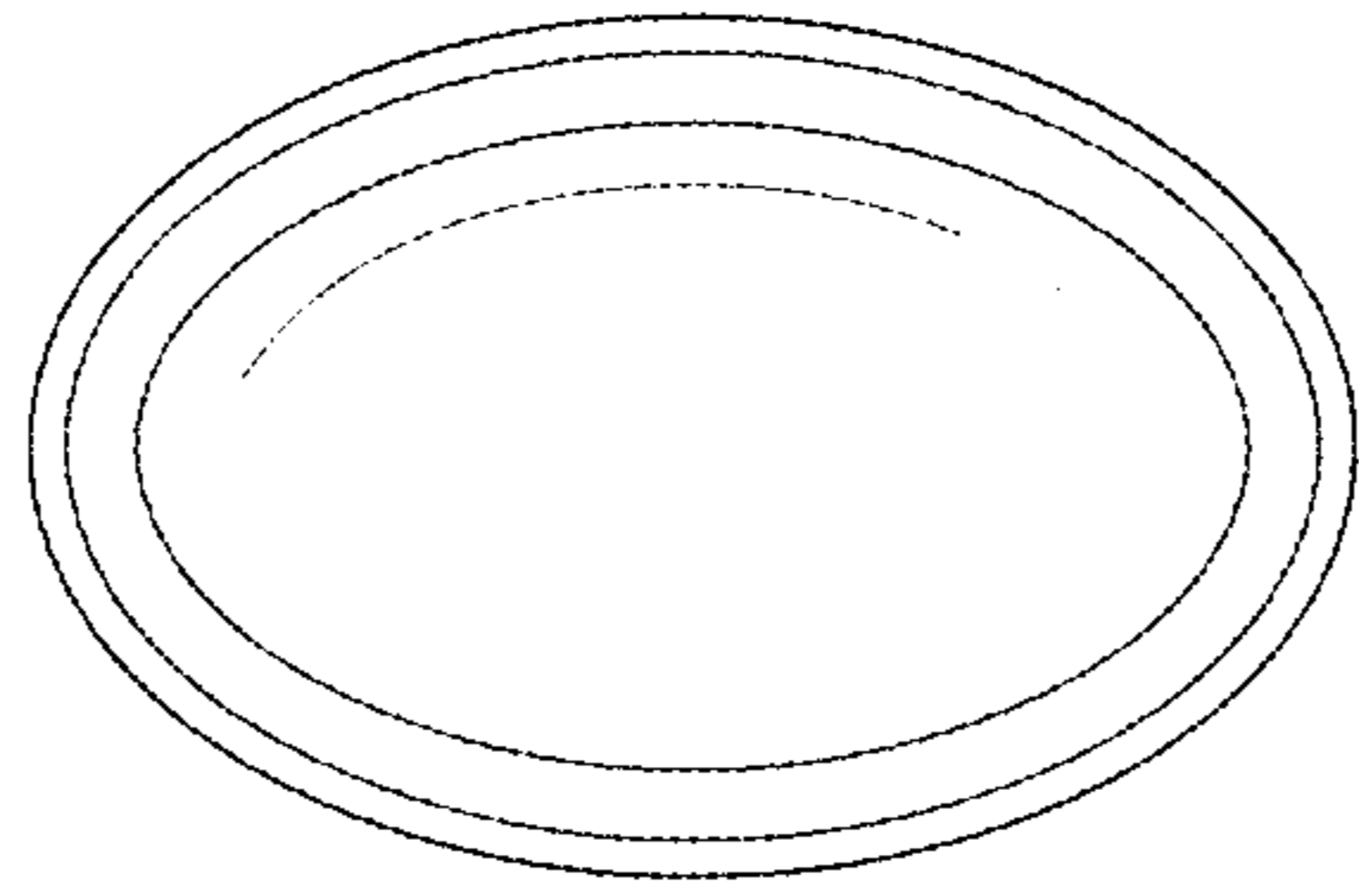


FIG. 2

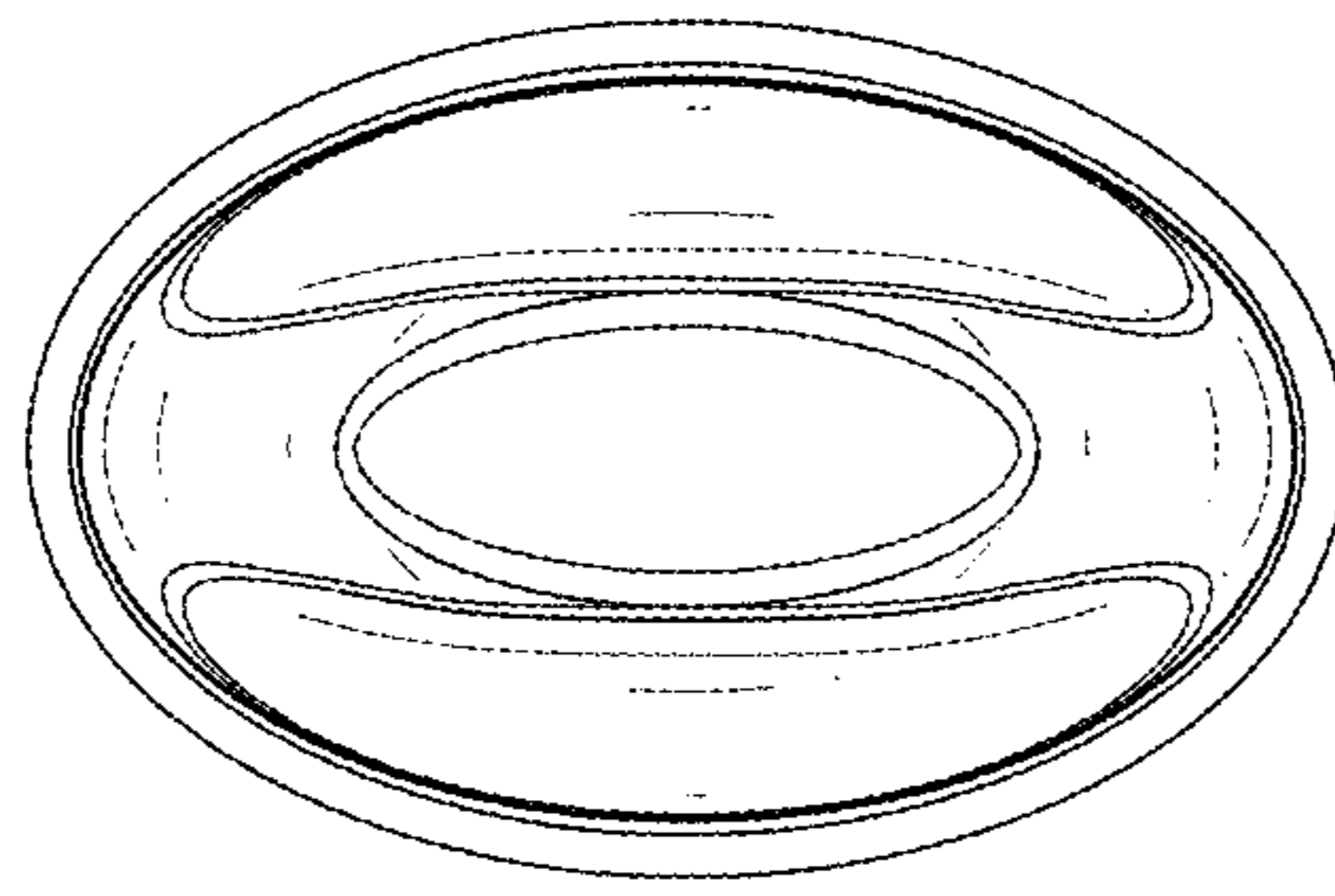


FIG.3

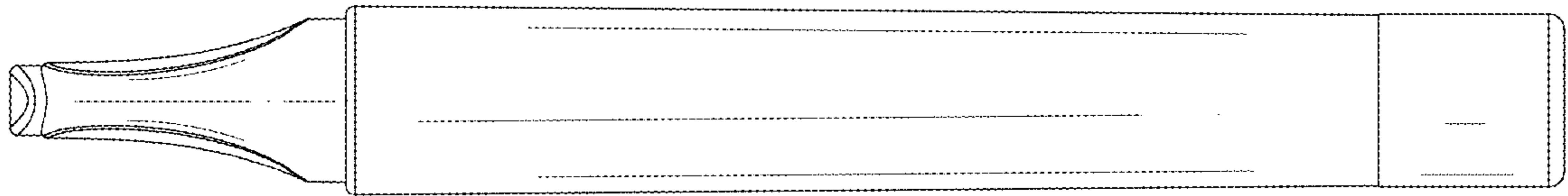


FIG. 4

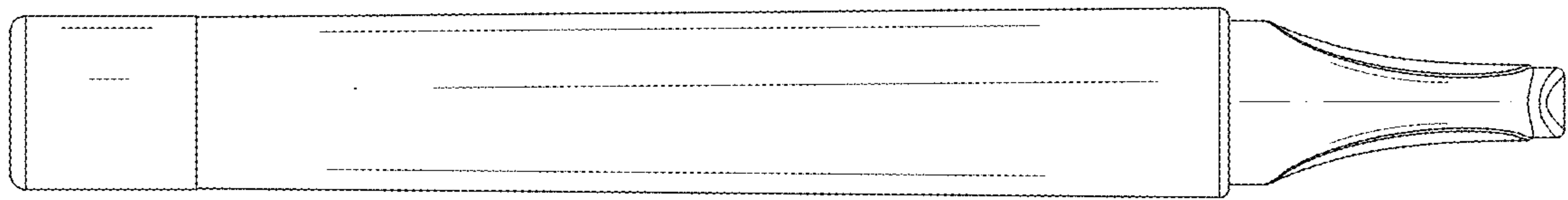


FIG.5

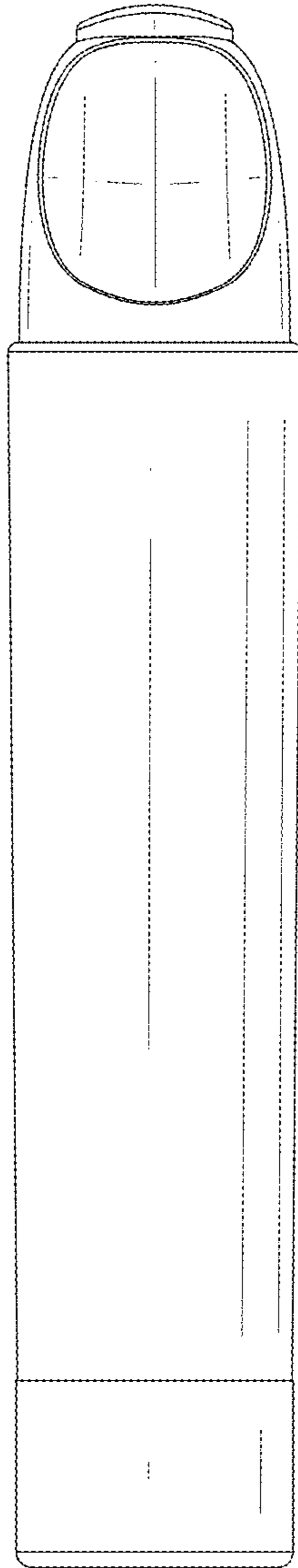


FIG.6

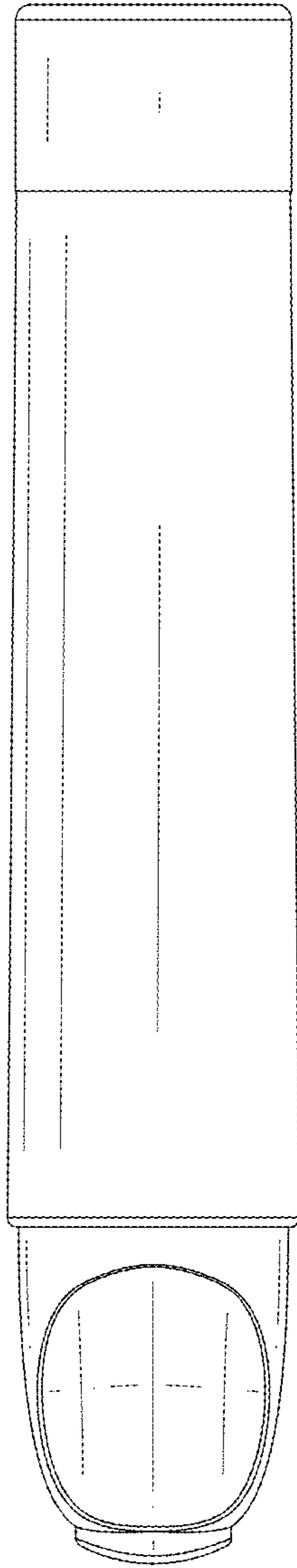


FIG. 7