



US00D929647S

(12) **United States Design Patent** (10) **Patent No.:** **US D929,647 S**
Liu (45) **Date of Patent:** **** Aug. 31, 2021**

(54) **ELECTRONIC CIGARETTE**
(71) Applicant: **Tuanfang Liu**, Shenzhen (CN)
(72) Inventor: **Tuanfang Liu**, Shenzhen (CN)
(**) Term: **15 Years**

D720,095 S * 12/2014 Alima D27/163
D753,874 S * 4/2016 Moreno Medina D27/101
D771,307 S * 11/2016 Wu D27/101
D774,179 S * 12/2016 Gosline D24/110
D785,859 S * 5/2017 Pang D27/101
D805,248 S * 12/2017 Chen D27/170

(Continued)

(21) Appl. No.: **29/685,553**
(22) Filed: **Mar. 28, 2019**

FOREIGN PATENT DOCUMENTS

CN 303234664 * 6/2015
CN 303574280 * 1/2016

(Continued)

(30) **Foreign Application Priority Data**

Nov. 12, 2018 (CN) 201830637451.5

(51) **LOC (13) Cl.** **27-02**

(52) **U.S. Cl.**

USPC **D27/162**

(58) **Field of Classification Search**

USPC D27/100, 101, 139, 141, 148, 157,
D27/161-171, 183, 185-194; D13/108,
D13/144, 103, 119, 146, 168; D23/360,
D23/364-366; D24/110, 110.5, 129, 113,
D24/112; D19/925-929, 161-166, 173,
D19/66, 115, 123, 177, 923, 194-196;
D28/85, 4, 7, 88, 73-76; D3/201, 11, 13,
D3/17, 273, 300, 202; D14/411, 480.5,
D14/480.1, 480.3, 483, 484.1, 137, 250,
D14/251, 480.7, 203.1, 203.3, 203.7, 218,
D14/254, 433-435, 435.1; D9/686, 529;
D8/107; D10/119.1, 119.3, 119.2;

D17/13

CPC A24F 40/00; A24F 40/40; A24F 40/42;
A24F 40/05; A24F 40/46; A24F 47/002;
A24F 47/008; A24D 1/14; A24D 1/042;
A24D 1/02; G06F 3/03545; A61M 15/06

See application file for complete search history.

(56) **References Cited**

U.S. PATENT DOCUMENTS

D632,476 S * 2/2011 Owens D3/17
D656,192 S * 3/2012 Chen D19/163

OTHER PUBLICATIONS

Aspire Slym Kit, published Sep. 26, 2019 [online], [retrieved Feb. 5, 2021], Available from Internet, URL: <http://web.archive.org/web/20190726181313/https://www.aspirecig.com/aspire-kits/aspire-kits567.html>.*

Primary Examiner — Dana K Weiland

Assistant Examiner — Mary Claire Ramirez

(74) *Attorney, Agent, or Firm* — Matthias Scholl P.C.;
Matthias Scholl

(57) **CLAIM**

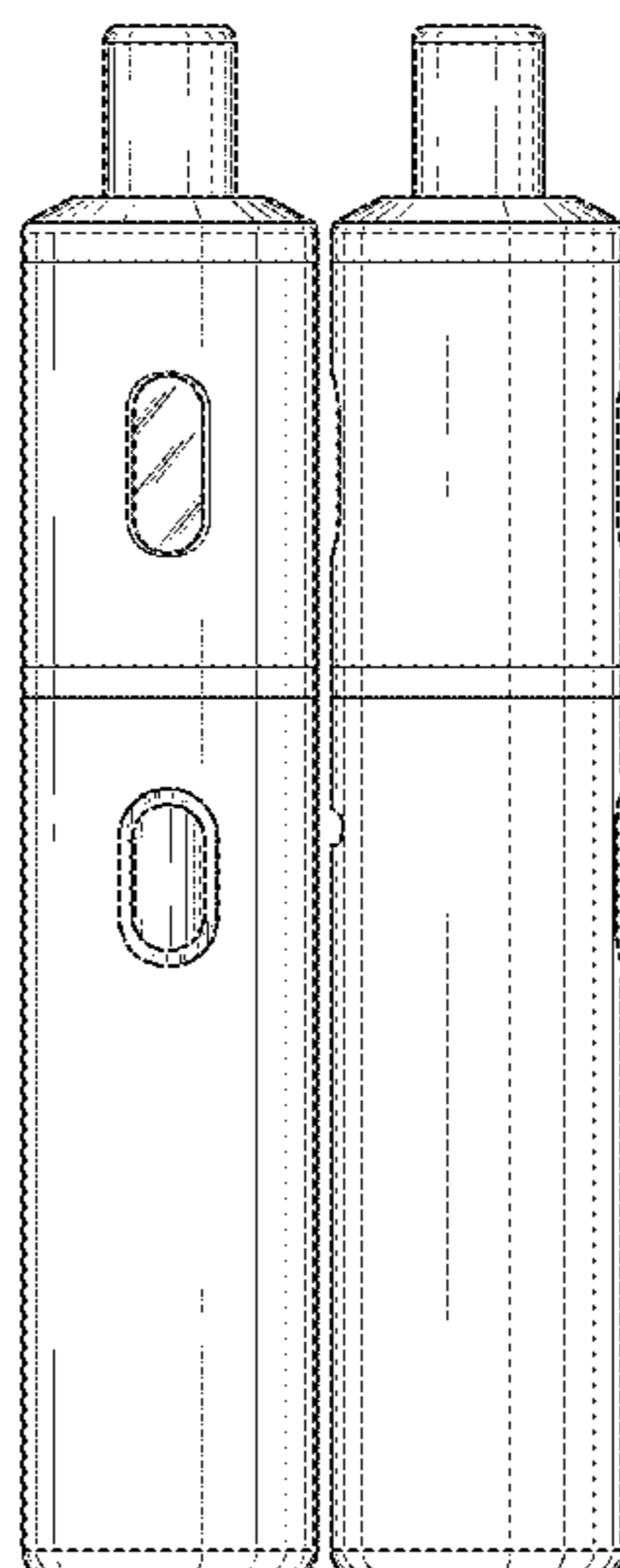
The ornamental design for an electronic cigarette, as shown and described.

DESCRIPTION

FIG. 1 is a front elevation view of an electronic cigarette; FIG. 2 is a rear elevation view thereof; FIG. 3 is a left-side elevation view thereof; FIG. 4 is a right-side elevation view thereof; FIG. 5 is a top plan view thereof; FIG. 6 is a bottom plan view thereof; FIG. 7 is a perspective view thereof; and, FIG. 8 is another perspective view thereof.

The broken lines in the drawings depict portions of the electronic cigarette that form no part of the claimed design.

1 Claim, 8 Drawing Sheets



(56)

References Cited

U.S. PATENT DOCUMENTS

D806,942 S * 1/2018 Qiu D27/101
 D811,652 S * 2/2018 Liu D27/167
 D823,535 S * 7/2018 Xu D27/163
 D825,840 S * 8/2018 Xu D27/163
 D825,841 S * 8/2018 Xu D27/163
 D867,657 S * 11/2019 Fornarelli D27/194
 D877,975 S * 3/2020 Crowe D27/162
 D893,798 S * 8/2020 Liu D27/162
 D899,677 S * 10/2020 Liu D27/162
 D906,588 S * 12/2020 Wilson D27/189
 10,869,508 B2 * 12/2020 Huang A24F 40/46
 D914,280 S * 3/2021 Jones D27/162
 D916,360 S * 4/2021 Liu D27/162
 2006/0272659 A1 * 12/2006 Kobal A24F 13/06
 131/187
 2016/0192708 A1 * 7/2016 DeMeritt A24F 47/008
 131/329
 2016/0219935 A1 * 8/2016 Qiu A24F 40/485
 2016/0295920 A1 * 10/2016 Liu A24F 47/008
 2017/0006923 A1 * 1/2017 Li B67D 99/00
 2017/0071249 A1 * 3/2017 Ampolini A24F 47/008
 2017/0105453 A1 * 4/2017 Li A24F 40/44
 2017/0208869 A1 * 7/2017 Li A61M 15/06
 2017/0333651 A1 * 11/2017 Qiu A61M 15/06
 2017/0360102 A1 * 12/2017 Li H05B 6/105

2018/0027874 A1 * 2/2018 Zhu H05B 3/03
 2018/0027880 A1 * 2/2018 Dong A24F 47/008
 2018/0077968 A1 * 3/2018 Qiu H05B 3/03
 2018/0116288 A1 * 5/2018 Hu A24F 40/40
 2018/0263294 A1 * 9/2018 Qiu A24F 47/008
 2018/0303166 A1 * 10/2018 Qiu A24F 40/51
 2019/0021398 A1 * 1/2019 Qiu A24F 47/008
 2019/0116872 A1 * 4/2019 Qiu A24D 3/046
 2019/0142069 A1 * 5/2019 Qiu A24F 47/008
 131/329
 2019/0159524 A1 * 5/2019 Qiu A24F 7/02
 2019/0328044 A1 * 10/2019 Qiu A24F 40/49
 2019/0350263 A1 * 11/2019 Qiu A24F 40/49
 2020/0128883 A1 * 4/2020 Yamada H01M 10/48
 2020/0128884 A1 * 4/2020 Yamada H02J 7/0045
 2020/0136398 A1 * 4/2020 Yamada H02J 9/005
 2020/0196677 A1 * 6/2020 Liu A24F 40/40
 2020/0212516 A1 * 7/2020 Akao H01M 10/488
 2020/0212517 A1 * 7/2020 Akao A24F 40/53

FOREIGN PATENT DOCUMENTS

CN 303636640 * 4/2016
 CN 303961986 * 12/2016
 CN 304147133 * 5/2017
 CN 304769451 * 8/2018
 CN 304823033 * 9/2018

* cited by examiner

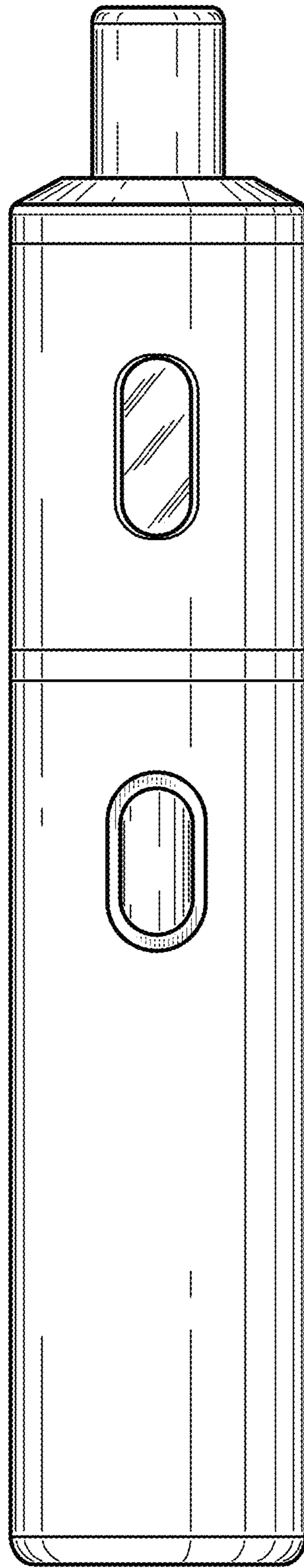


FIG. 1

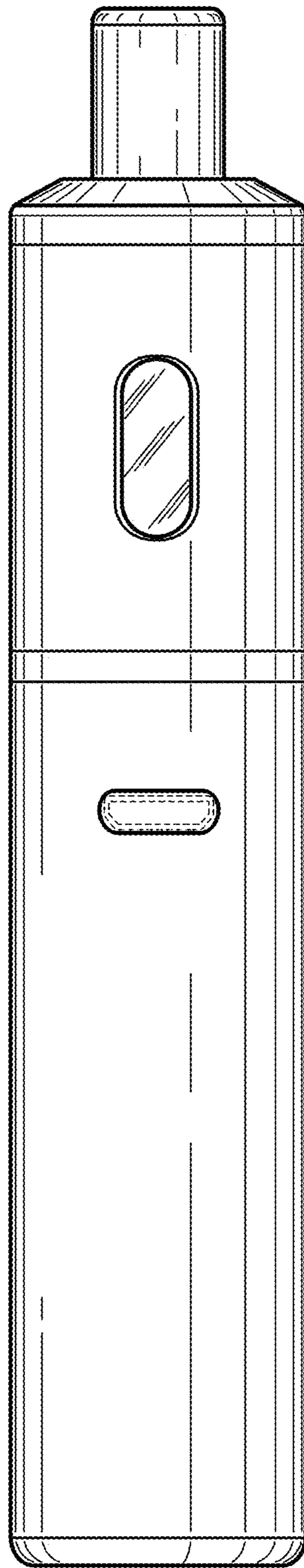


FIG. 2

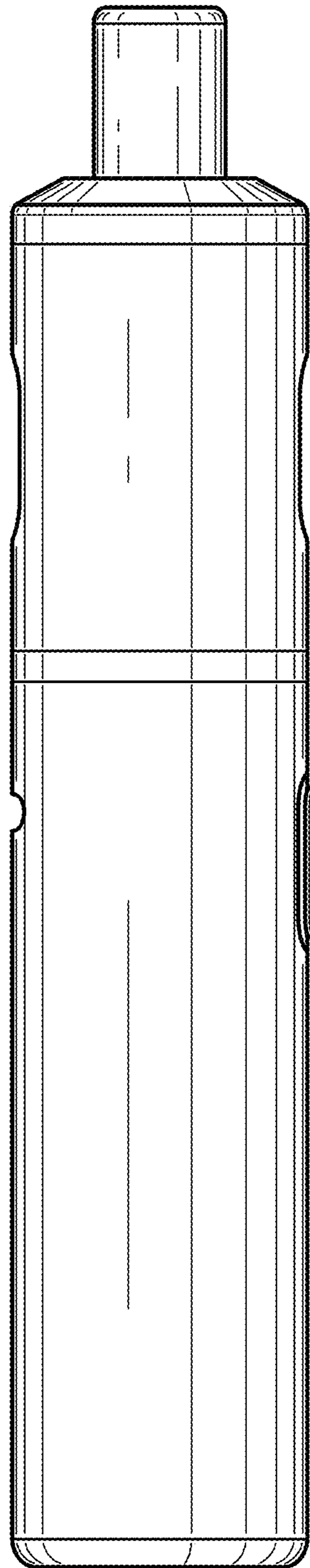


FIG. 3

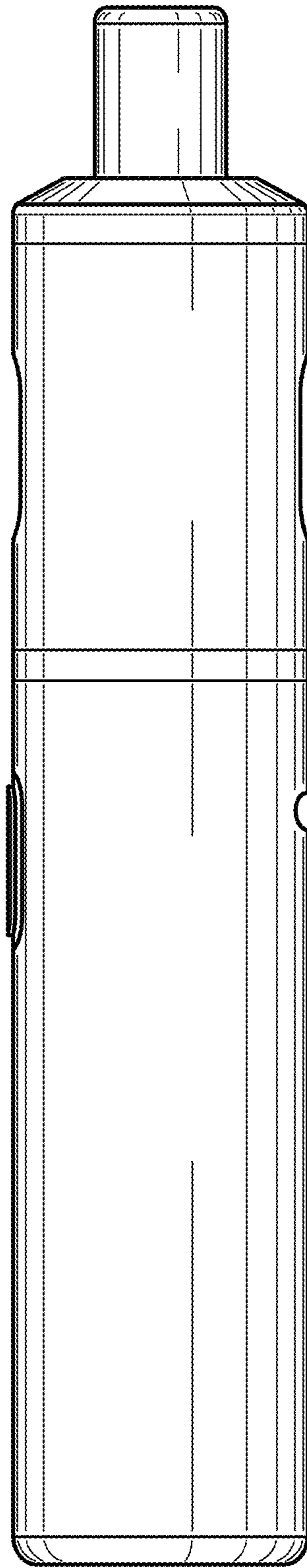


FIG. 4

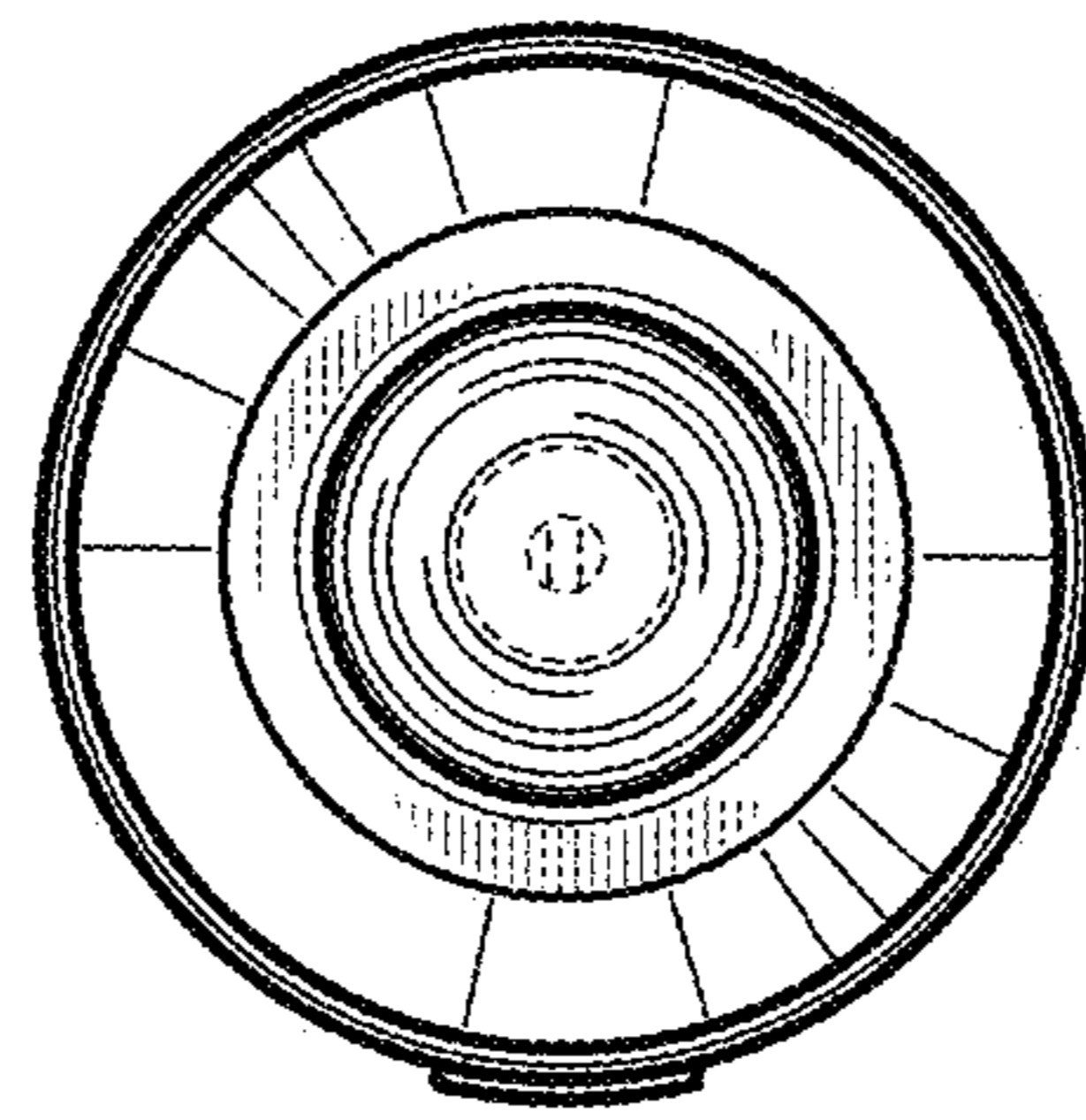


FIG. 5

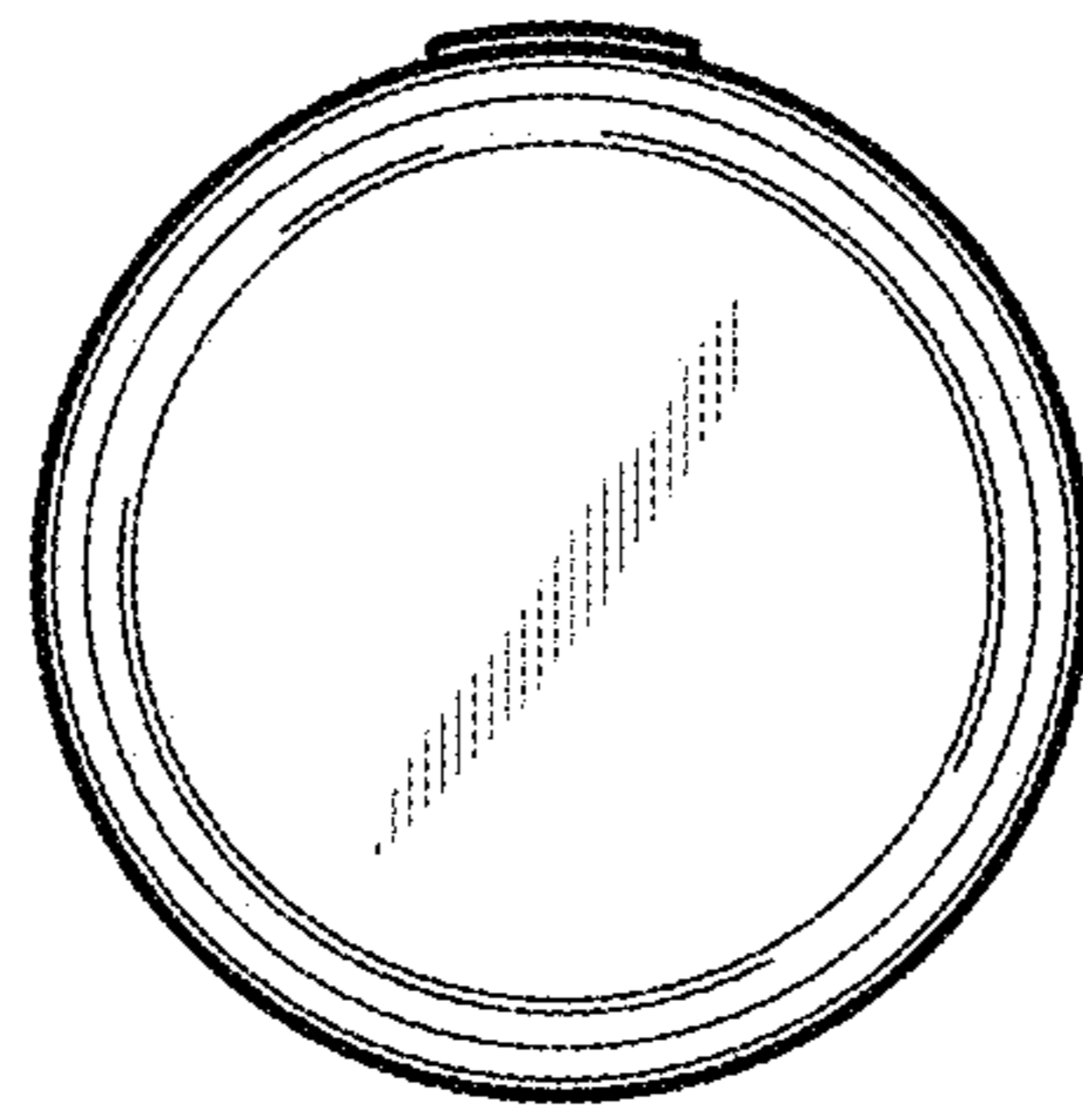


FIG. 6

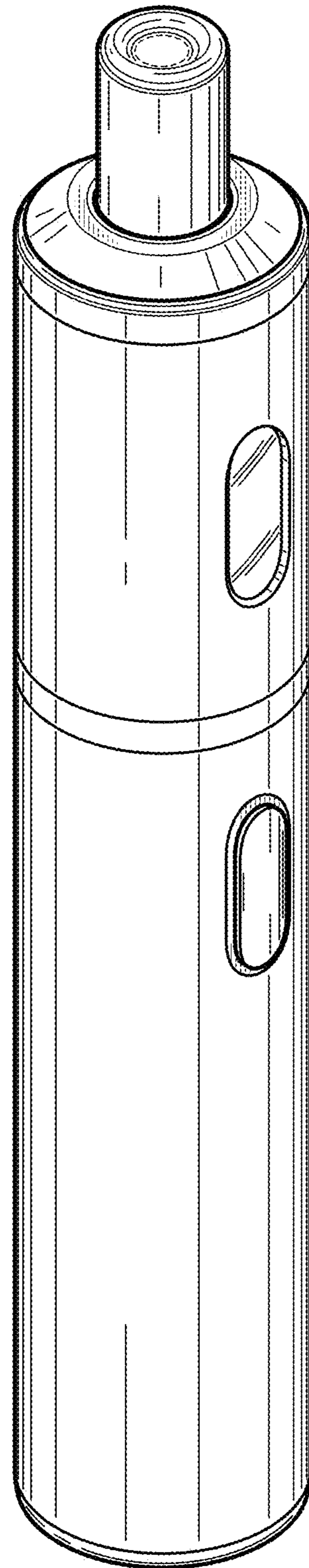


FIG. 7

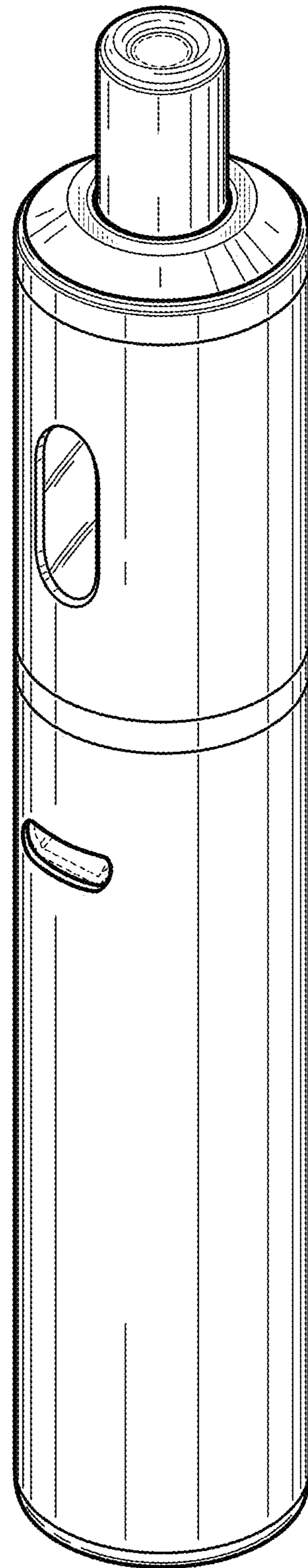


FIG. 8