



US00D929643S

(12) **United States Design Patent**
Feng

(10) **Patent No.:** **US D929,643 S**

(45) **Date of Patent:** **** Aug. 31, 2021**

(54) **LED RING LIGHT WITH TRIPOD STAND**

(71) Applicant: **SHENZHEN QISHI TECHNOLOGY CO., LTD.**, Shenzhen (CN)

(72) Inventor: **Yali Feng**, Shenzhen (CN)

(73) Assignee: **SHENZHEN QISHI TECHNOLOGY CO., LTD.**, Shenzhen (CN)

(**) Term: **15 Years**

(21) Appl. No.: **29/761,704**

(22) Filed: **Dec. 11, 2020**

(51) **LOC (13) Cl.** **26-05**

(52) **U.S. Cl.**
USPC **D26/106; D16/244**

(58) **Field of Classification Search**
USPC D26/49, 60, 63, 72, 79, 85, 89, 92, 93,
D26/104, 106, 111, 118, 123, 124, 138;
D16/136, 237, 239, 244, 245, 250;
D28/9, 15, 16, 17, 99; D14/253; D8/71,
D8/72
CPC F21V 21/00; F21V 21/14; F21V 21/30;
F21V 21/096; F21V 1/00; F21V 1/12;
F21V 17/06; F21V 15/01; F21V 14/00;
F21V 14/02; G03B 2215/0575; G03B
2215/0539; G03B 2215/0592; G03B
2215/0589; G03B 15/03; G03B 15/05;
A45F 2200/0508-0533; F21K 5/00; F21K
5/02; F21S 8/003; F21S 8/043
See application file for complete search history.

(56) **References Cited**

U.S. PATENT DOCUMENTS

D250,968 S * 1/1979 Combest D26/152
D580,580 S * 11/2008 Lodhie D26/67
D611,178 S * 3/2010 Waring D26/34

D617,035 S * 6/2010 Sabernig D26/89
D712,073 S * 8/2014 Hirabayashi D26/2
D855,242 S * 7/2019 Chen D26/106
D860,485 S * 9/2019 Yu D26/24
D872,348 S * 1/2020 Liu D26/106
D887,052 S 6/2020 Xu
D899,491 S 10/2020 Chen
D907,836 S * 1/2021 Zhou D26/106
D909,456 S * 2/2021 Xiao D16/244
D909,649 S * 2/2021 Chu D26/63

(Continued)

Primary Examiner — Wan Laymon
Assistant Examiner — Clint A Samuel

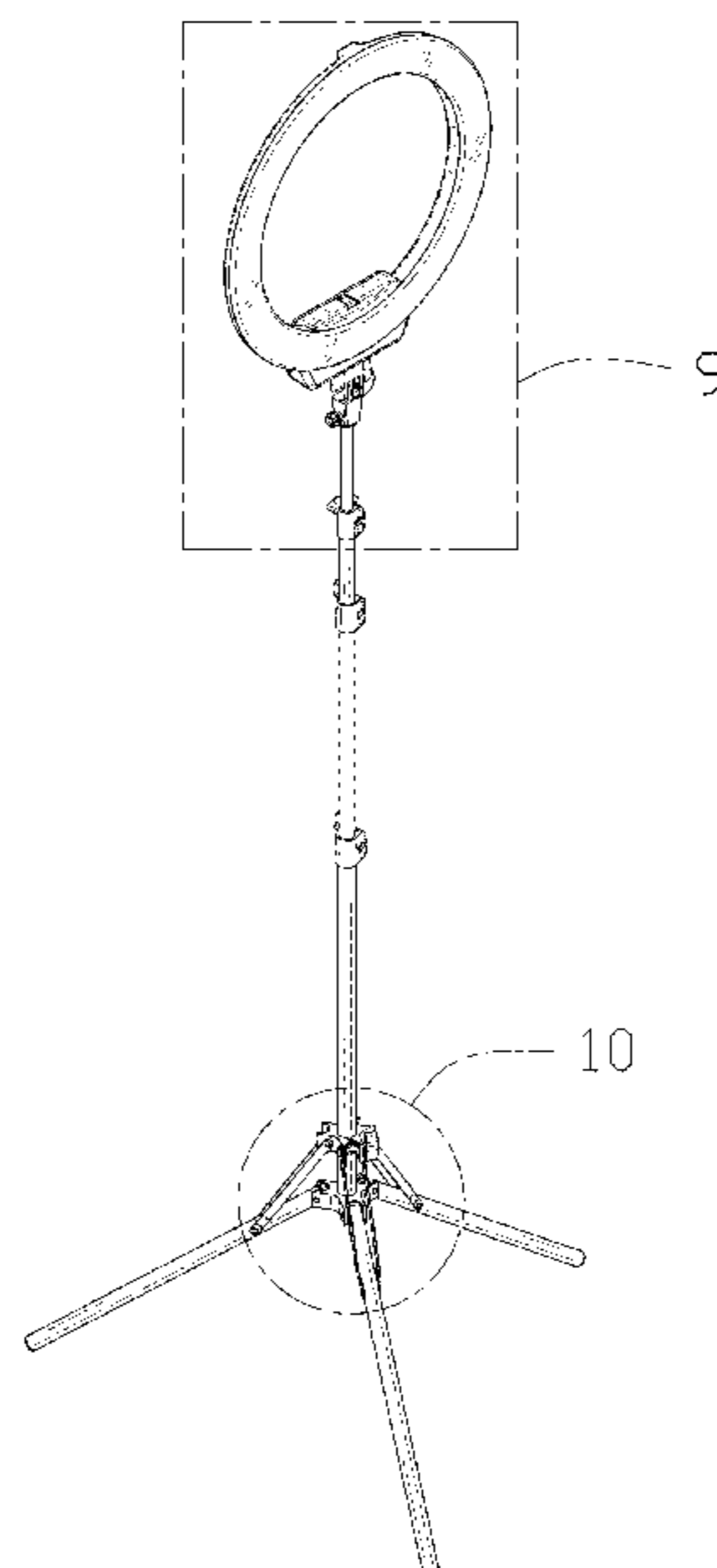
(57) **CLAIM**

The ornamental design for a LED ring light with tripod stand, as shown and described.

DESCRIPTION

FIG. 1 is a perspective view of an LED ring light with tripod stand showing my new design;
FIG. 2 is another perspective view thereof;
FIG. 3 is a front elevational view thereof;
FIG. 4 is a rear elevational view thereof;
FIG. 5 is a left side elevational view thereof;
FIG. 6 is a right side elevational view thereof;
FIG. 7 is a top plan view thereof;
FIG. 8 is a bottom plan view thereof;
FIG. 9 is an enlarged view of portion 9 shown in FIG. 1;
FIG. 10 is an enlarged view of portion 10 shown in FIG. 1;
FIG. 11 is an enlarged view of portion 11 shown in FIG. 2;
FIG. 12 is an enlarged view of portion 12 shown in FIG. 2;
FIG. 13 is an enlarged view of portion 13 shown in FIG. 2;
and,
FIG. 14 is an enlarged view of portion 14 shown in FIG. 8.
The broken lines in the drawings depict portions of the LED ring light with tripod stand that form no part of the claimed design.

1 Claim, 14 Drawing Sheets



(56)

References Cited

U.S. PATENT DOCUMENTS

D910,220	S *	2/2021	Wang	D26/63
D910,221	S *	2/2021	Wang	D26/63
D916,173	S *	4/2021	Zeng	D16/244
D917,604	S *	4/2021	Zeng	D16/244
D920,421	S *	5/2021	Li	D16/244
D922,471	S *	6/2021	Li	D16/244
D924,454	S *	7/2021	Xiong	D26/51
2016/0069548	A1 *	3/2016	Wessel	F21S 9/02 362/183
2019/0003699	A1 *	1/2019	Mondora	F21V 33/004
2020/0281054	A1 *	9/2020	Li	H05B 45/10
2021/0180783	A1 *	6/2021	Frydenger	F21V 23/003

* cited by examiner

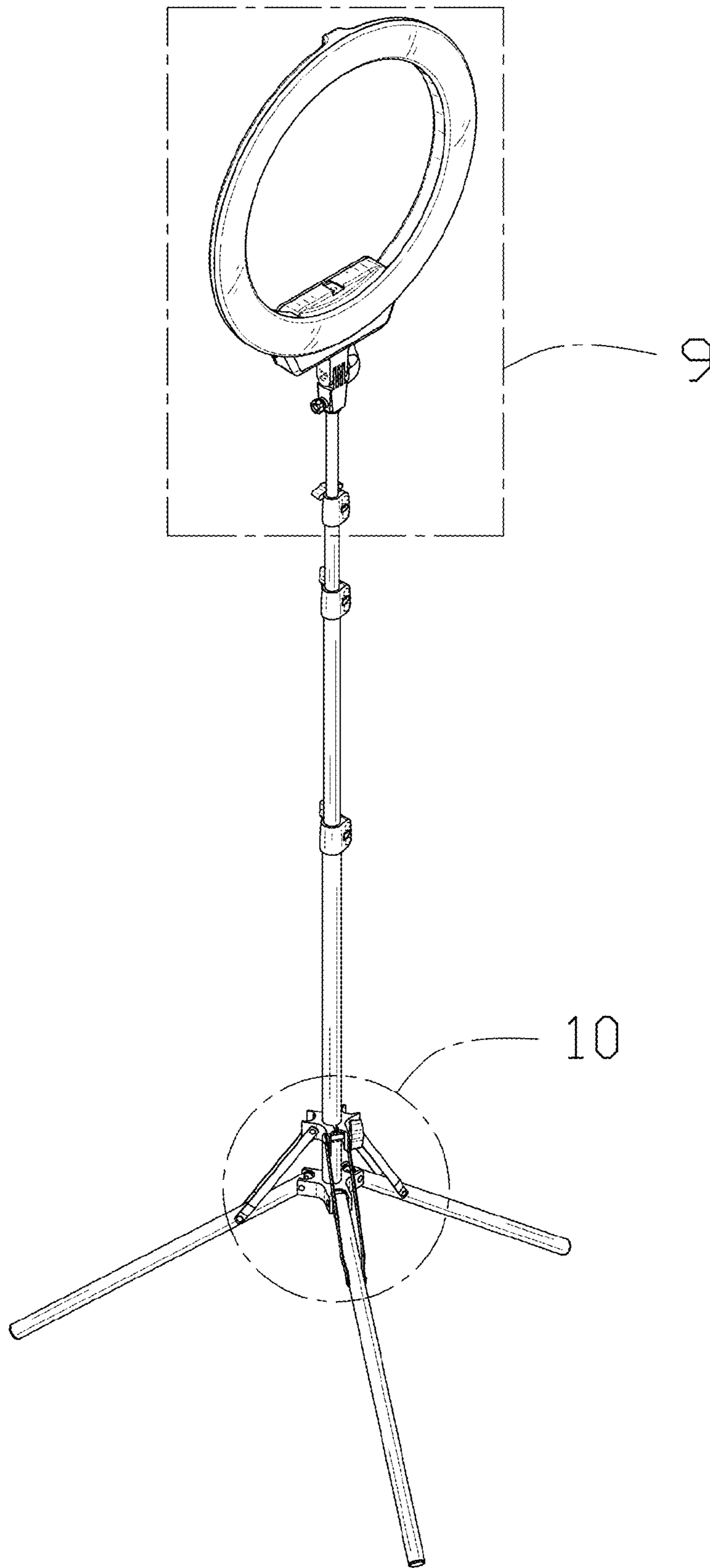


FIG. 1

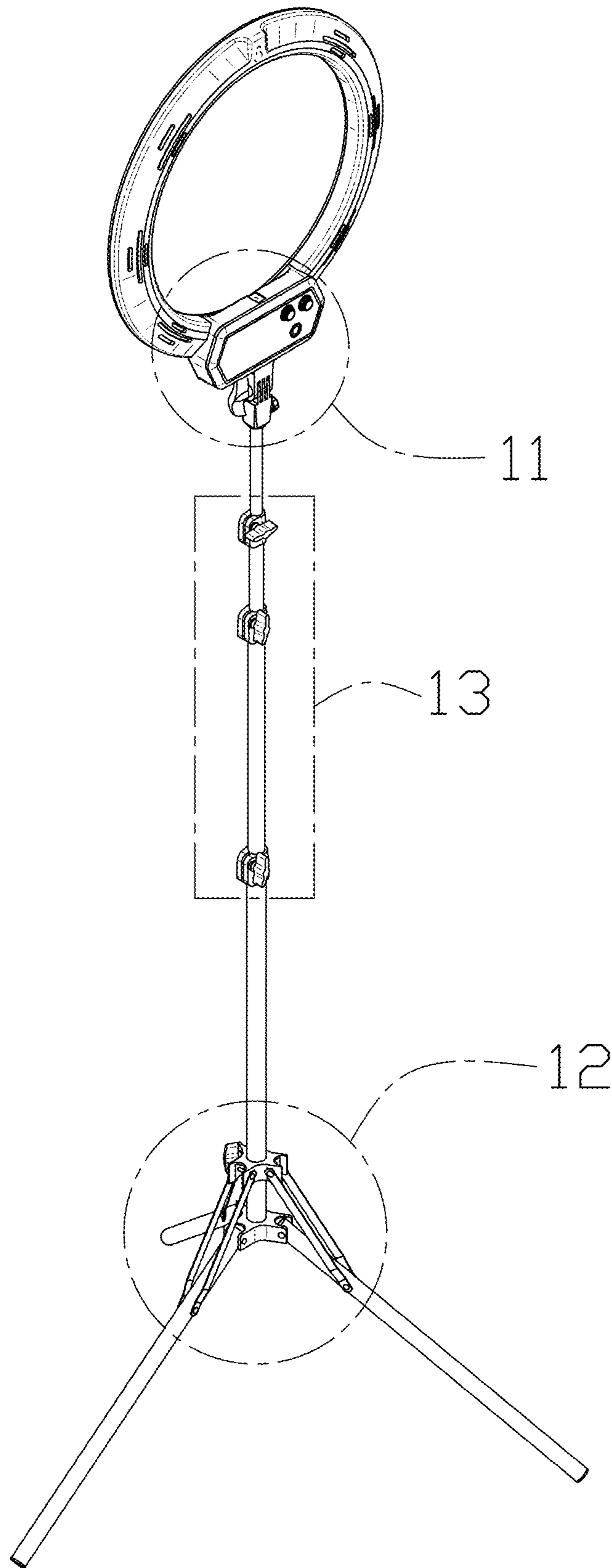


FIG. 2

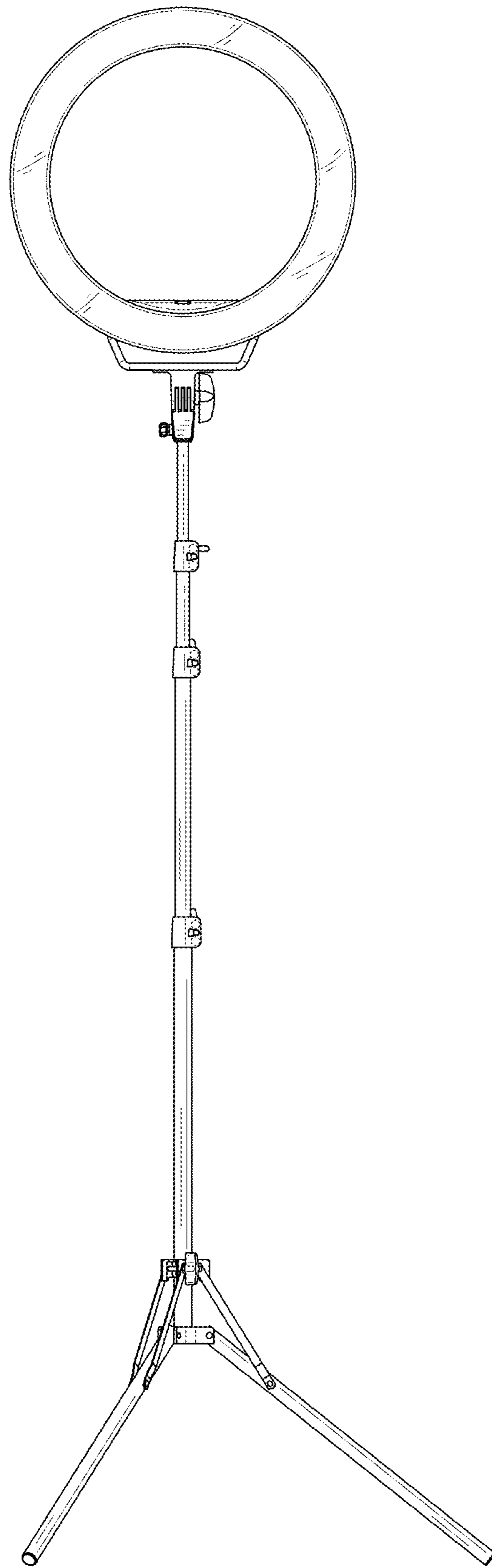


FIG. 3

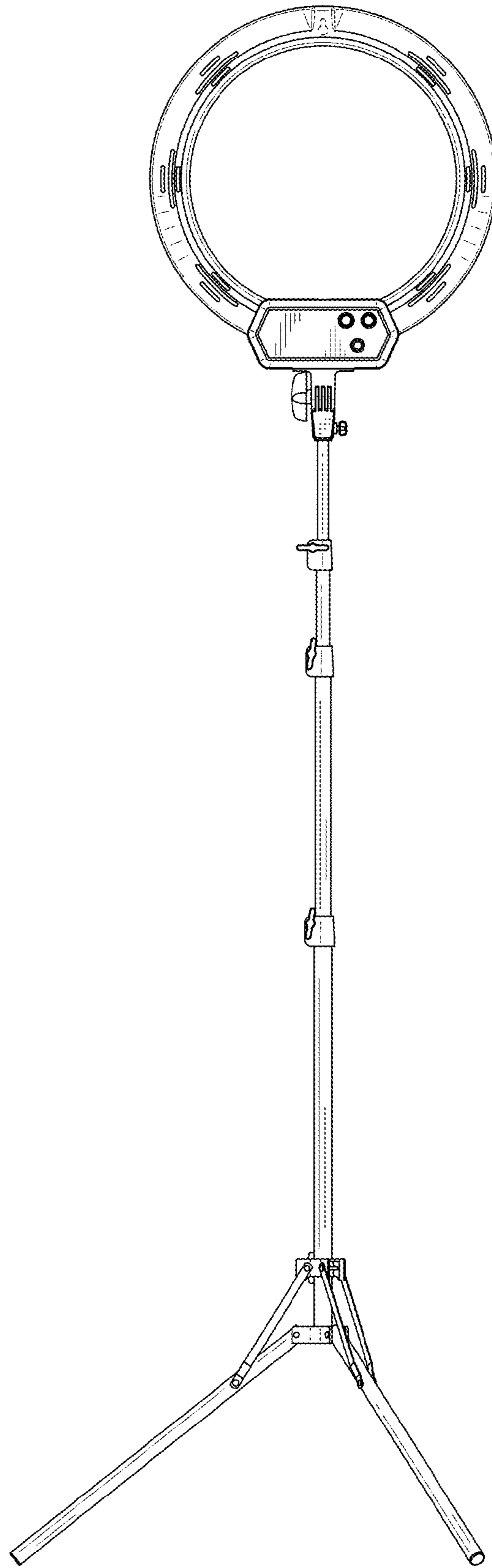


FIG. 4

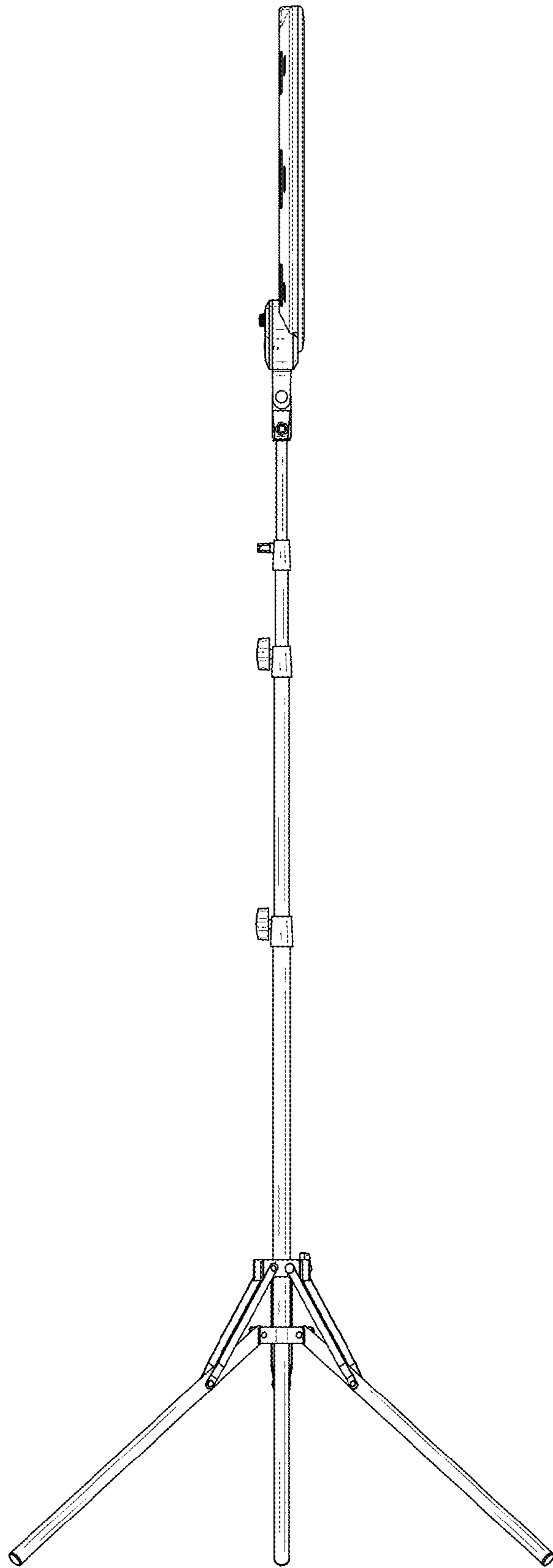


FIG. 5

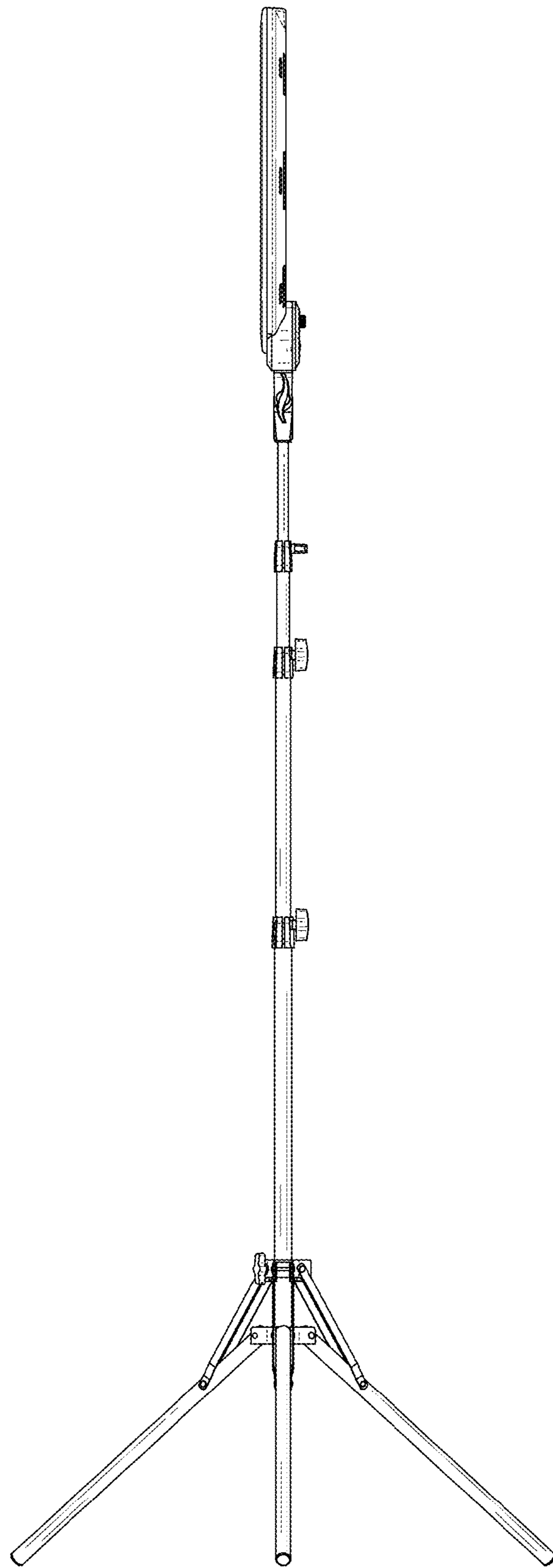


FIG. 6

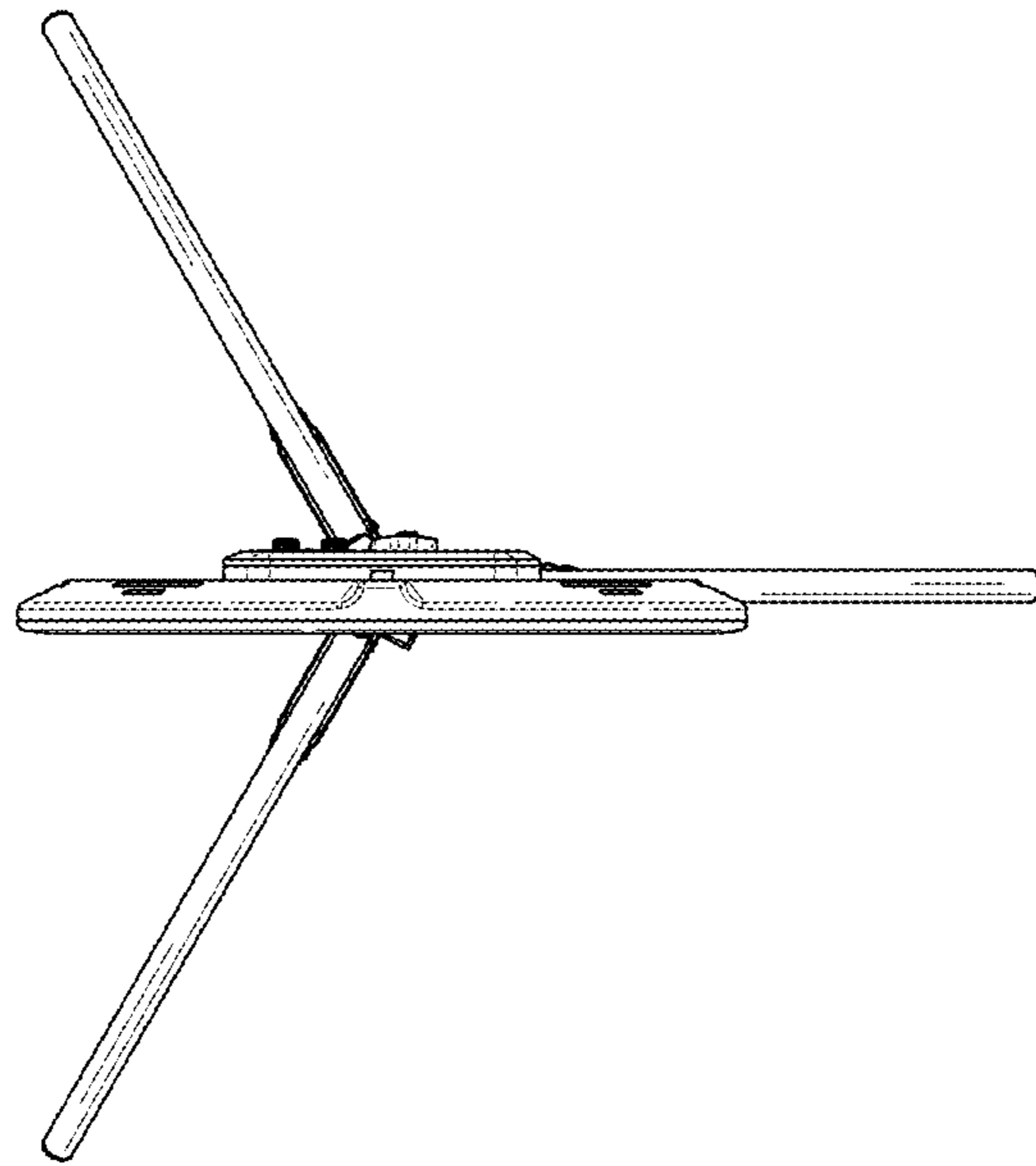


FIG. 7

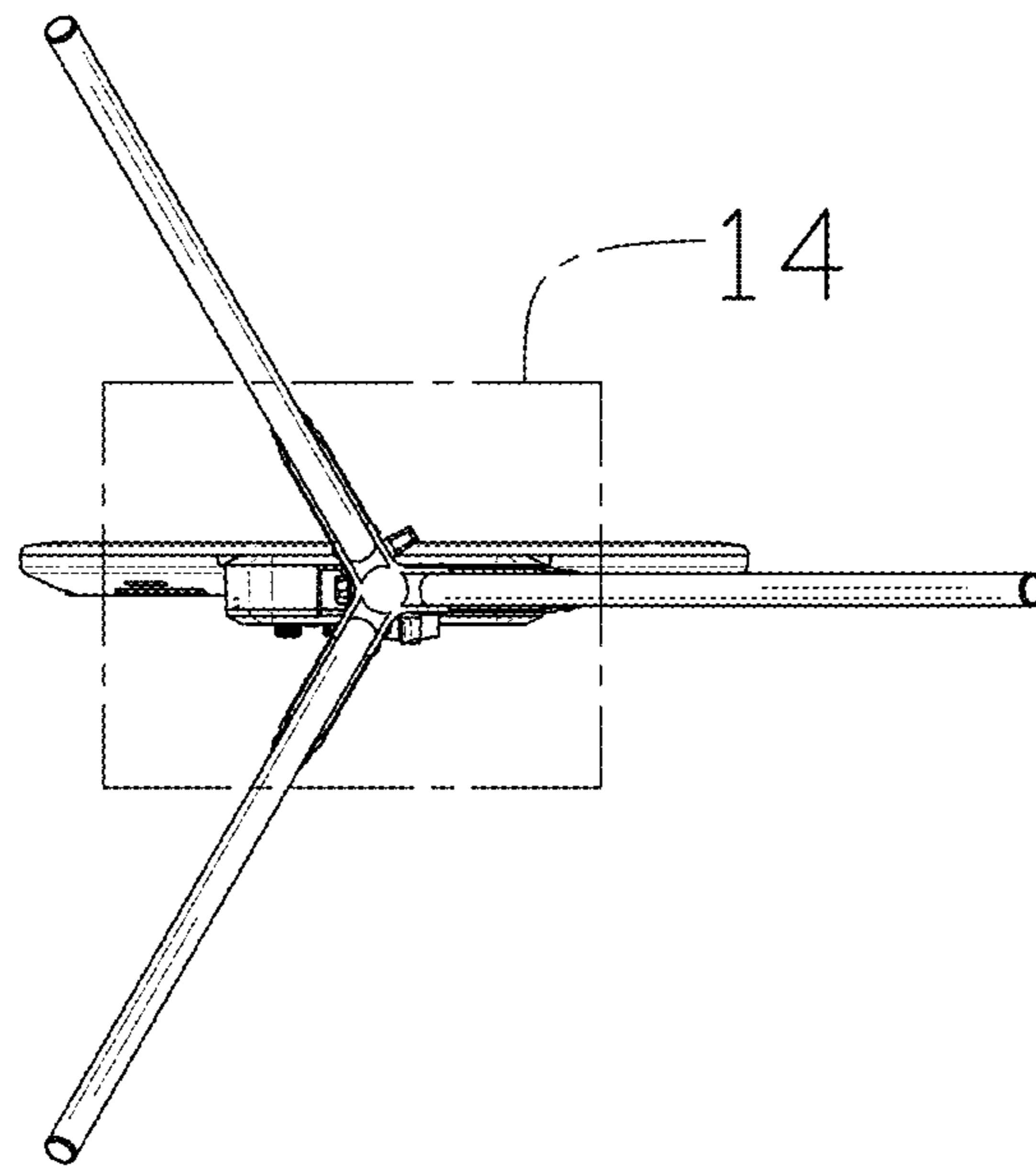


FIG. 8

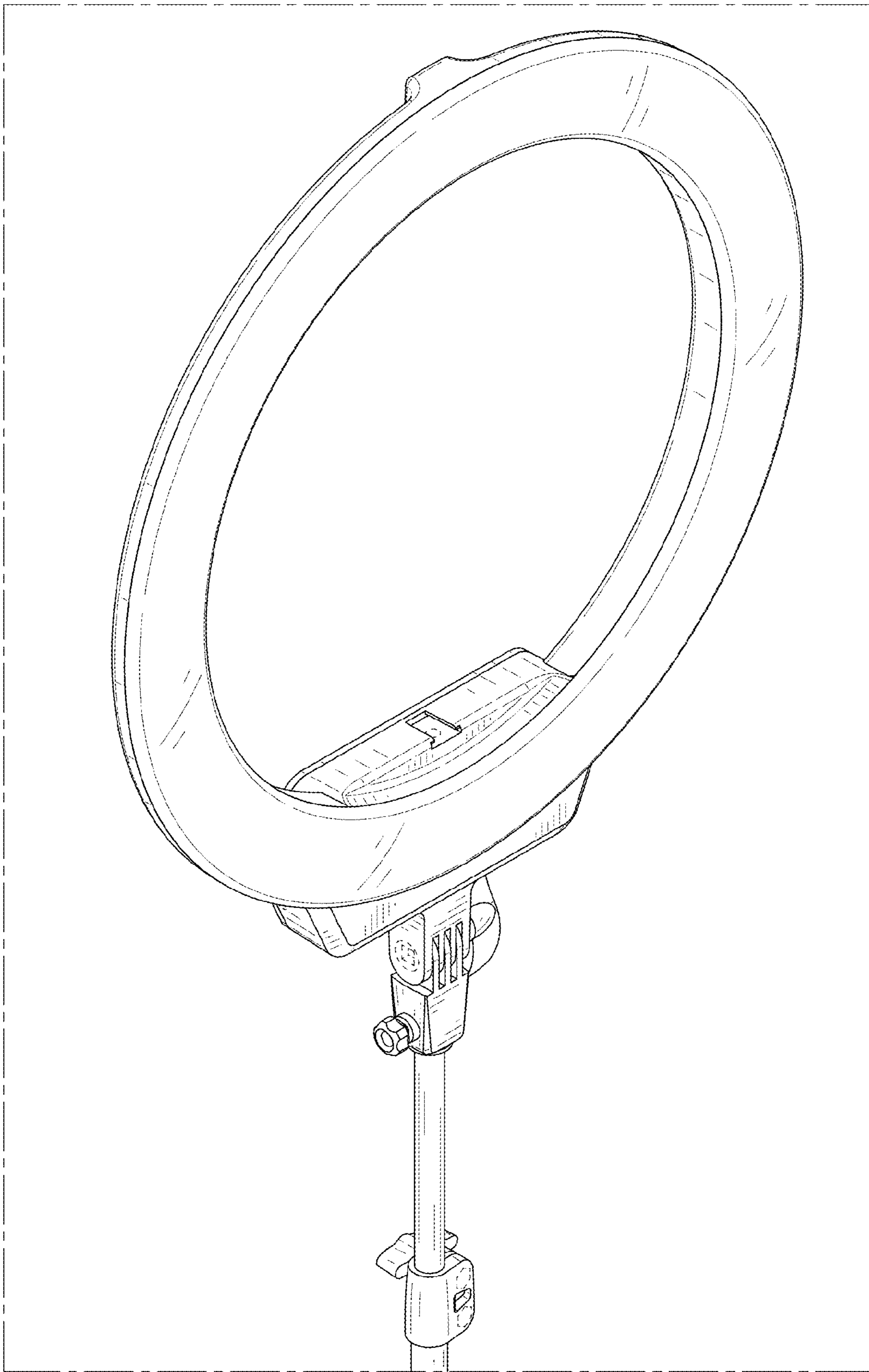


FIG. 9

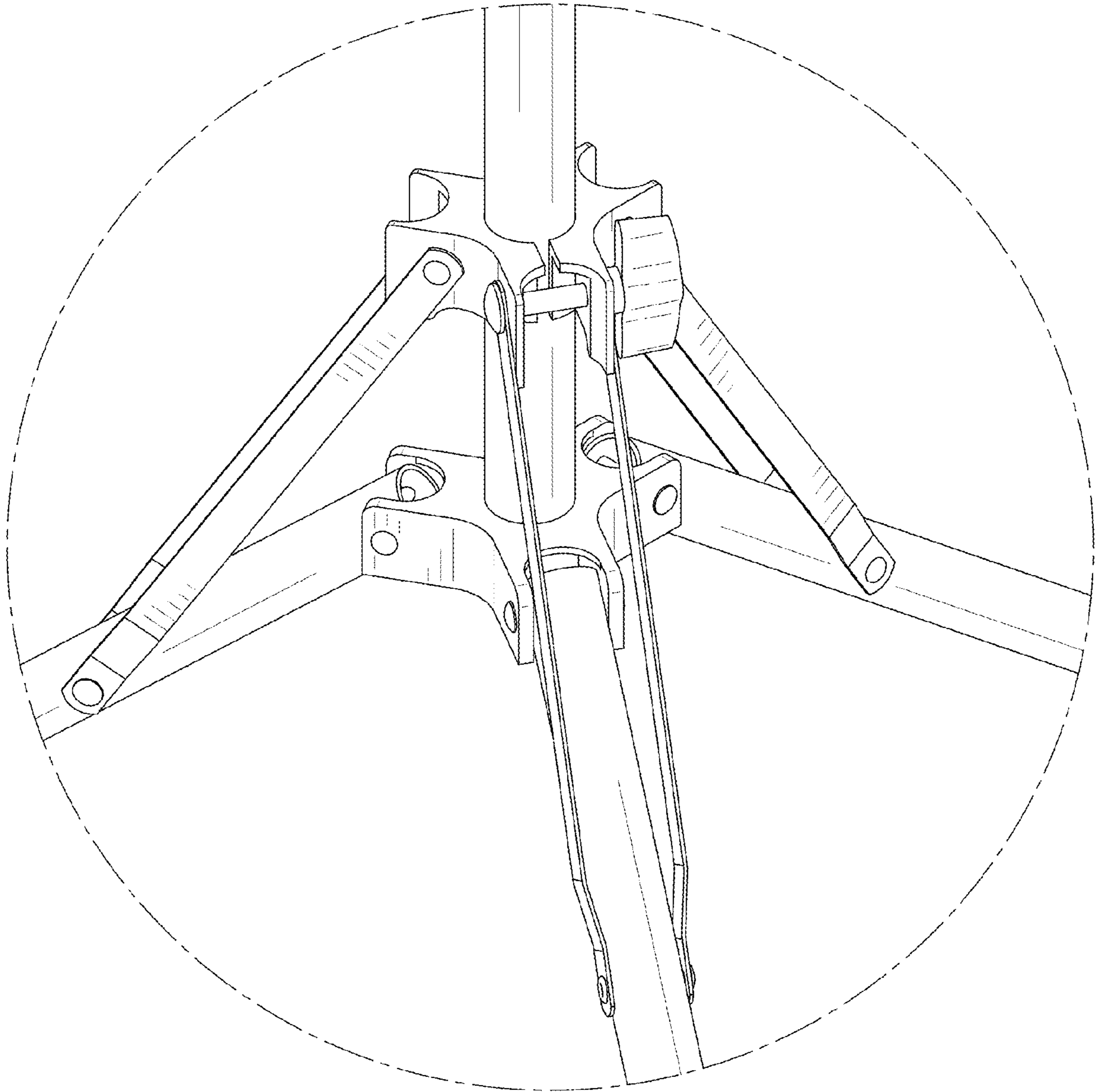


FIG. 10

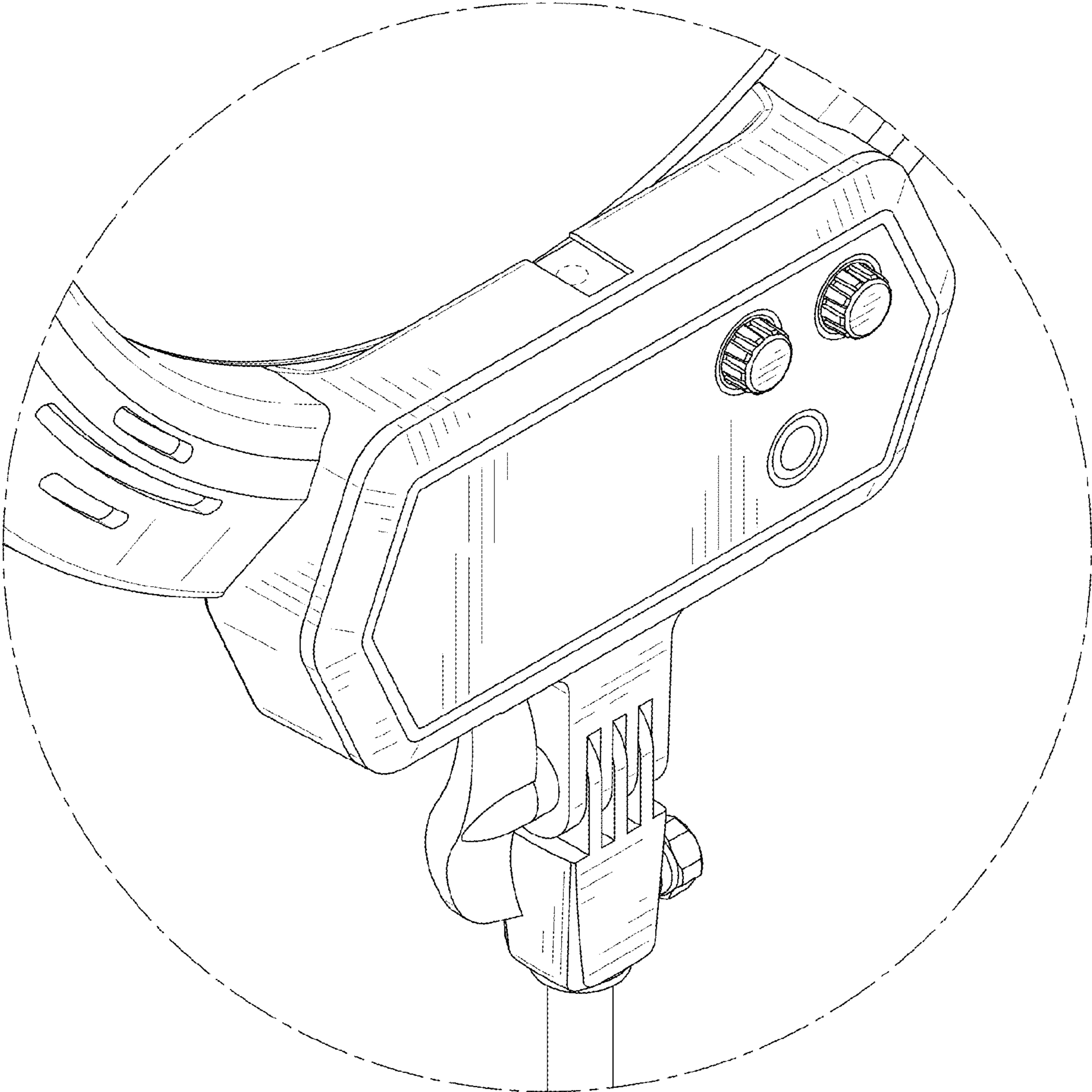


FIG. 11

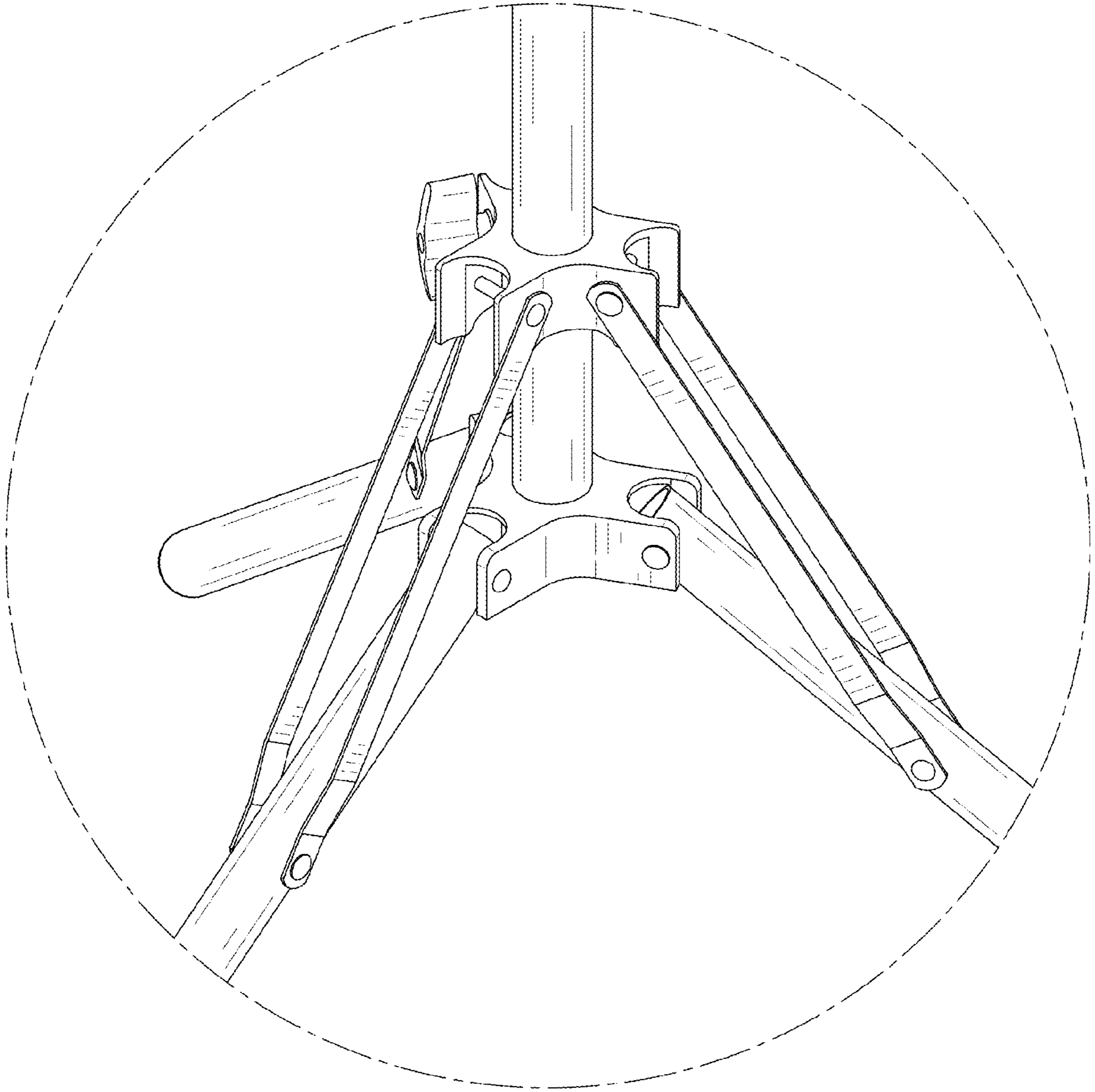


FIG. 12

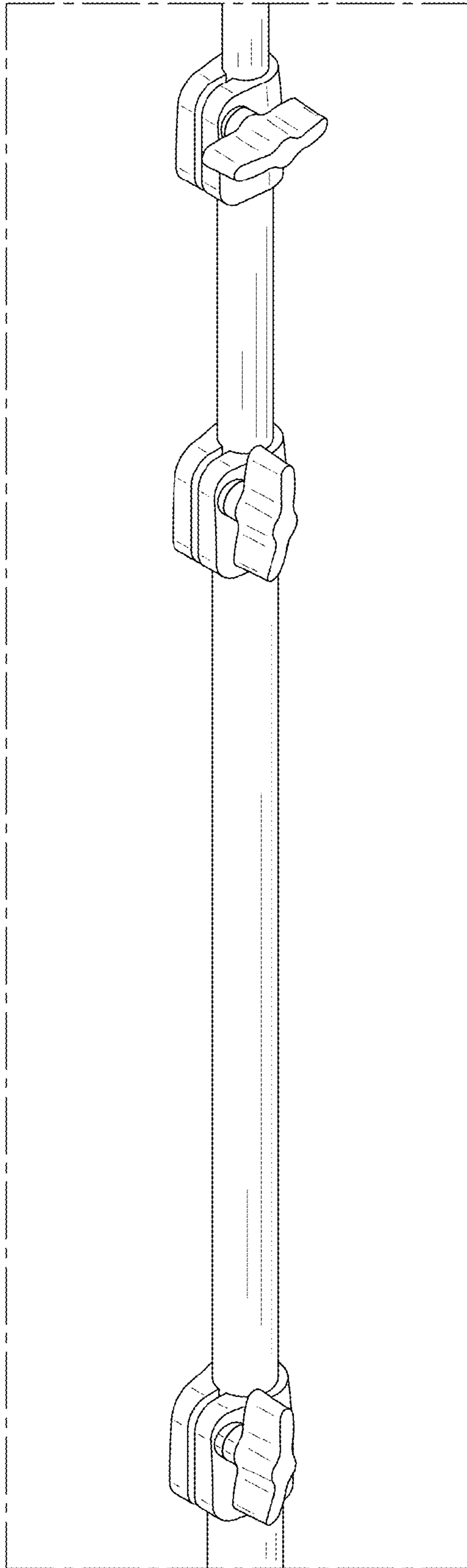


FIG. 13

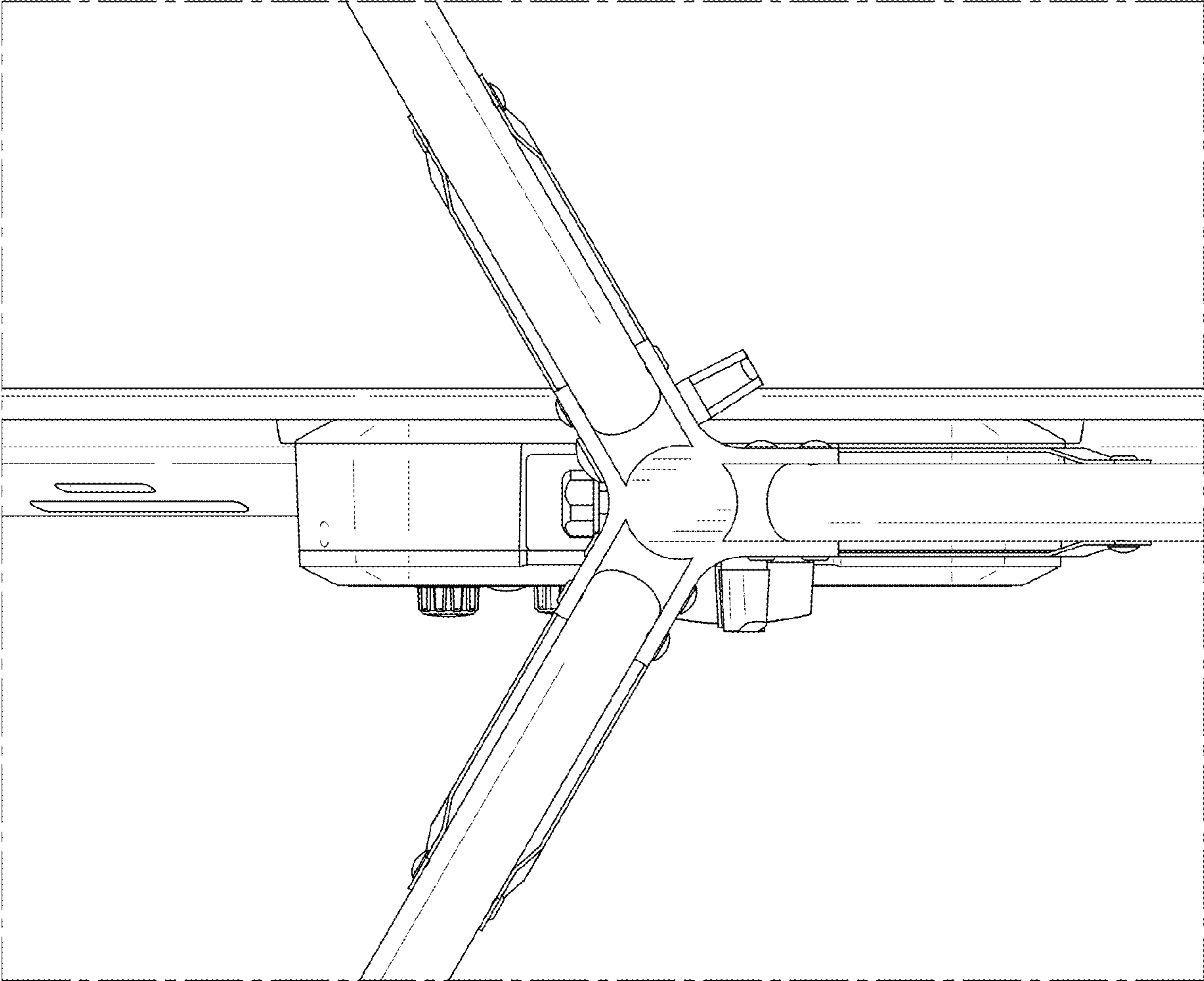


FIG. 14