



US00D929642S

(12) **United States Design Patent**  
**Donghu**

(10) **Patent No.:** **US D929,642 S**

(45) **Date of Patent:** **\*\* Aug. 31, 2021**

(54) **DOG LAMP**

(71) Applicant: **Guangzhou iWood Crafts Co., Limited**, Guangzhou (CN)

(72) Inventor: **Su Donghu**, Gaozhou (CN)

(\*\*) Term: **15 Years**

(21) Appl. No.: **29/720,368**

(22) Filed: **Jan. 13, 2020**

(51) **LOC (13) Cl.** ..... **26-05**

(52) **U.S. Cl.**  
USPC ..... **D26/98**

(58) **Field of Classification Search**

USPC .... D26/1, 7, 14, 16, 17, 24, 51, 60, 93, 94,  
D26/98, 108; D21/420, 576, 598, 611,  
D21/615, 659

CPC .... F21S 6/00; F21S 6/002; F21S 6/003; F21S  
6/004; F21S 6/005; F21S 9/00; F21S  
9/02; F21V 1/02; F21V 1/08; F21V  
21/00; F21V 21/06; F21V 21/084; F21W  
2131/30; F21W 2131/301; F21W  
2121/00; F21W 2121/06

See application file for complete search history.

(56) **References Cited**

**U.S. PATENT DOCUMENTS**

D193,720 S \* 10/1962 Him ..... D21/611  
D559,476 S \* 1/2008 Rutherford ..... D21/611

D566,794 S \* 4/2008 Judkins ..... D21/576  
D651,537 S \* 1/2012 Anguelidis ..... D11/158  
D746,502 S \* 12/2015 Kovac ..... D26/63  
D910,900 S \* 2/2021 Cheng ..... D26/98

\* cited by examiner

*Primary Examiner* — Wan Laymon

*Assistant Examiner* — Clint A Samuel

(74) *Attorney, Agent, or Firm* — Rumit Ranjit Kanakia

(57) **CLAIM**

I claim the ornamental design for a dog lamp, as shown and described.

**DESCRIPTION**

FIG. 1 is a Perspective view of a dog lamp showing my new design;

FIG. 2 is a Left-side view thereof;

FIG. 3 is a Right-side view thereof;

FIG. 4 is a Front view thereof;

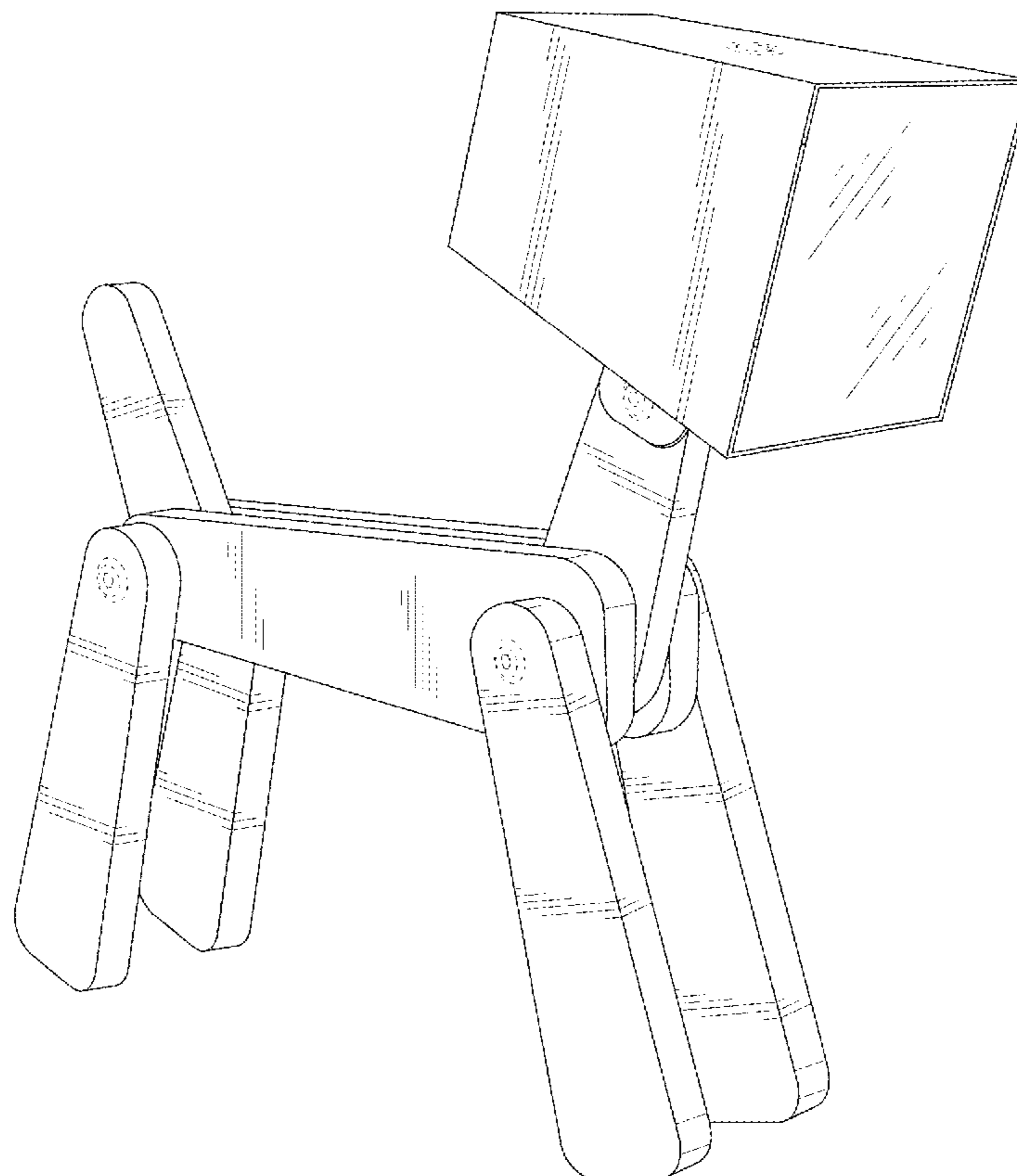
FIG. 5 is a Back view thereof;

FIG. 6 is a Top view thereof; and,

FIG. 7 is a Bottom view thereof.

The broken lines shown in drawings are included for the purpose of illustrating portions of the dog lamp, and form no part of the claimed design.

**1 Claim, 7 Drawing Sheets**



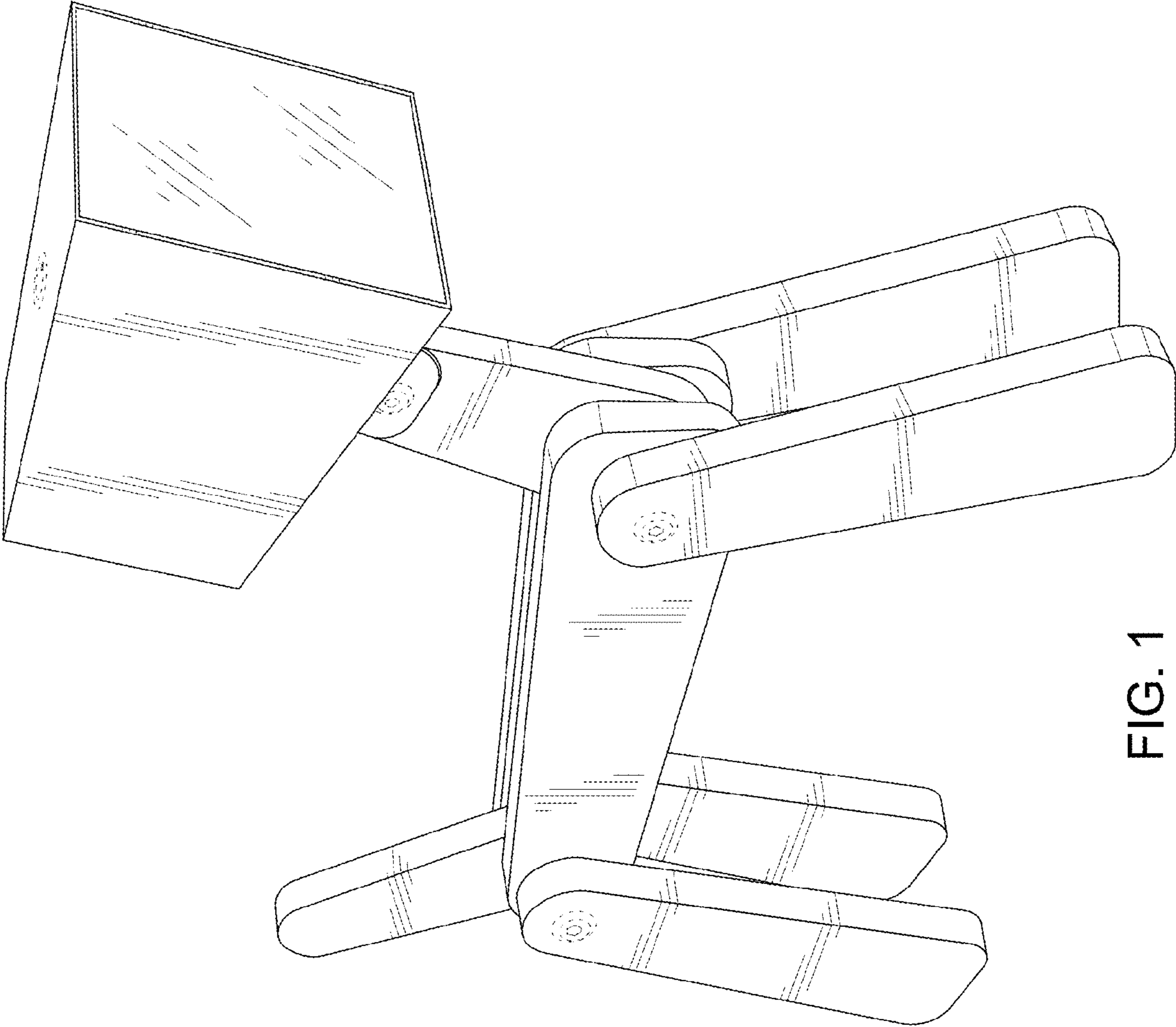


FIG. 1

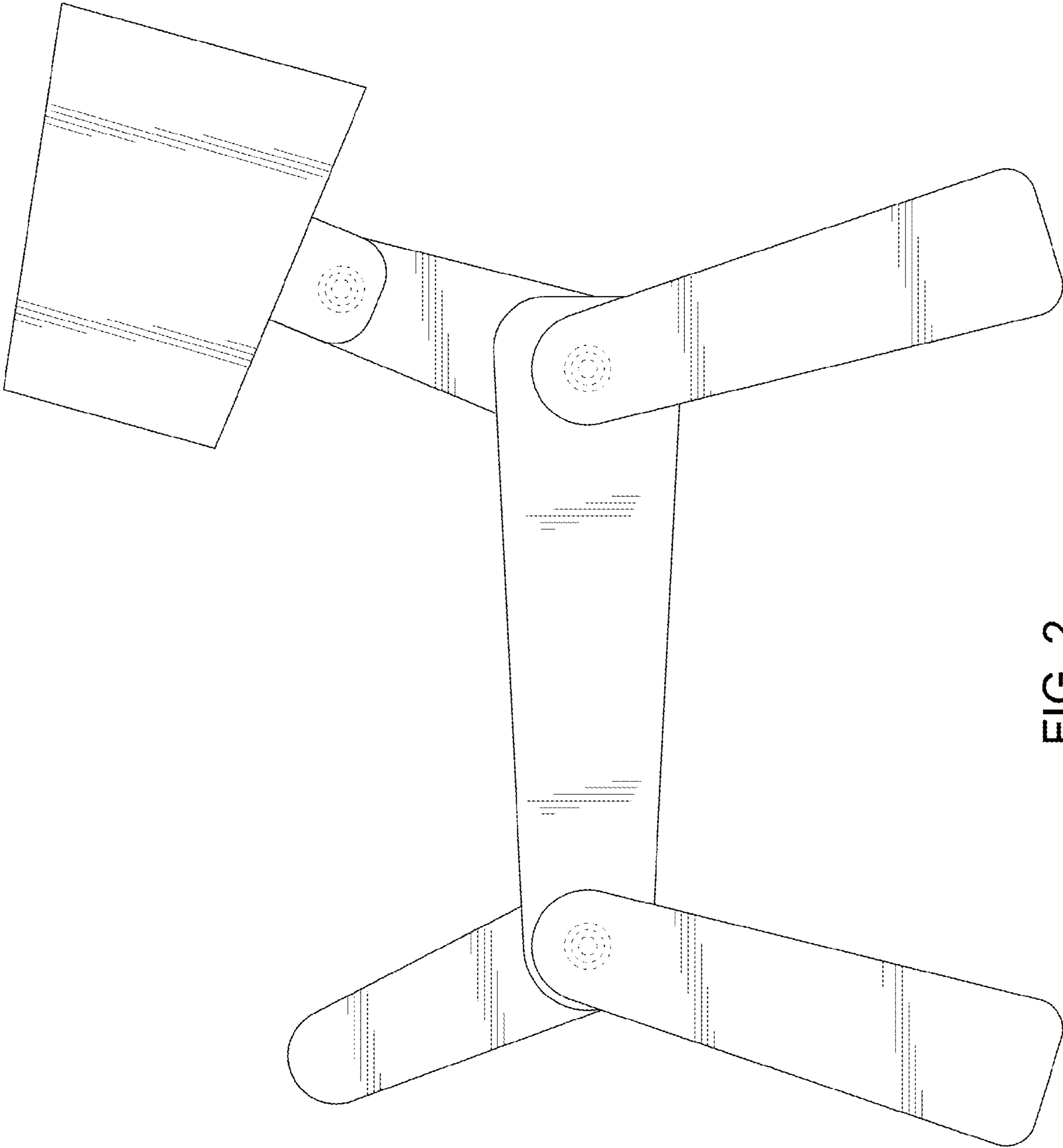


FIG. 2

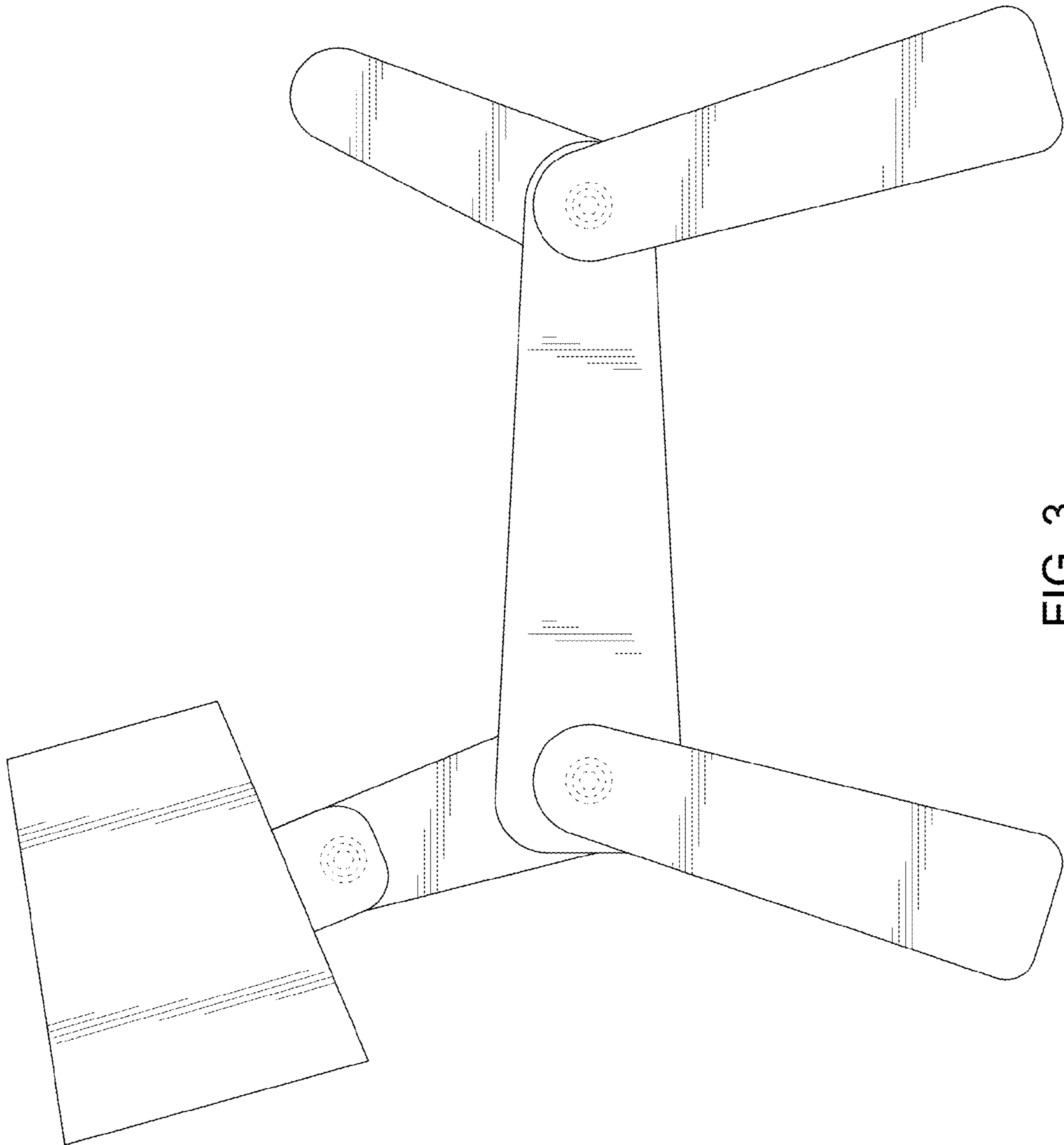


FIG. 3

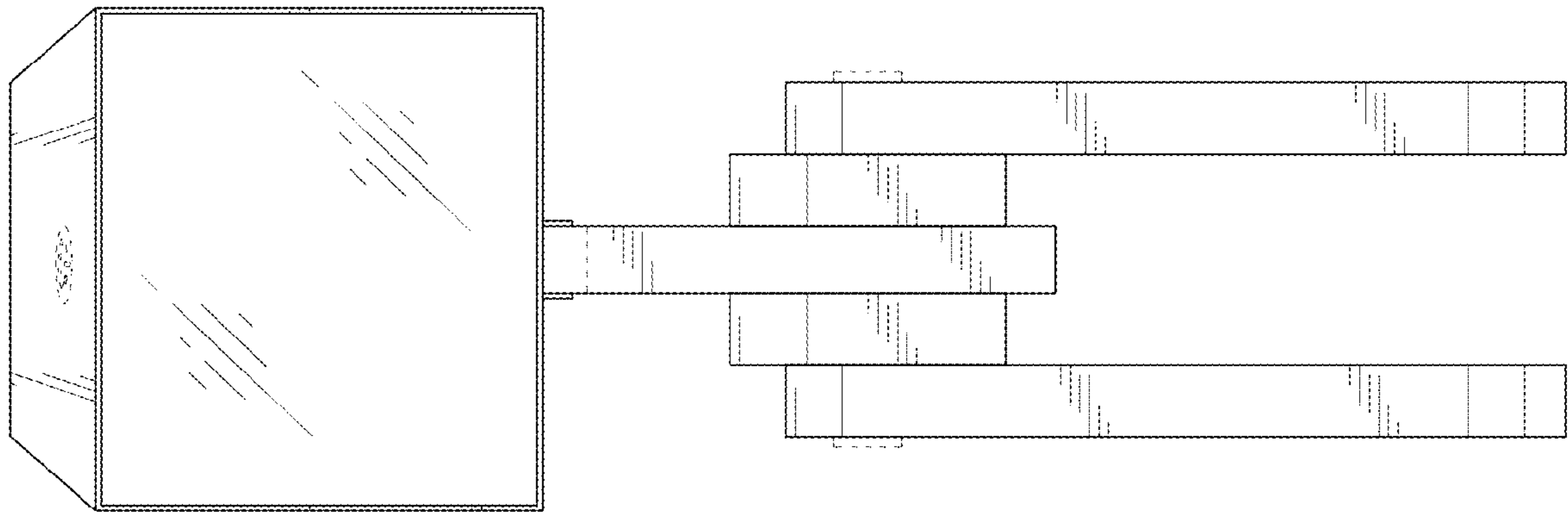


FIG. 4

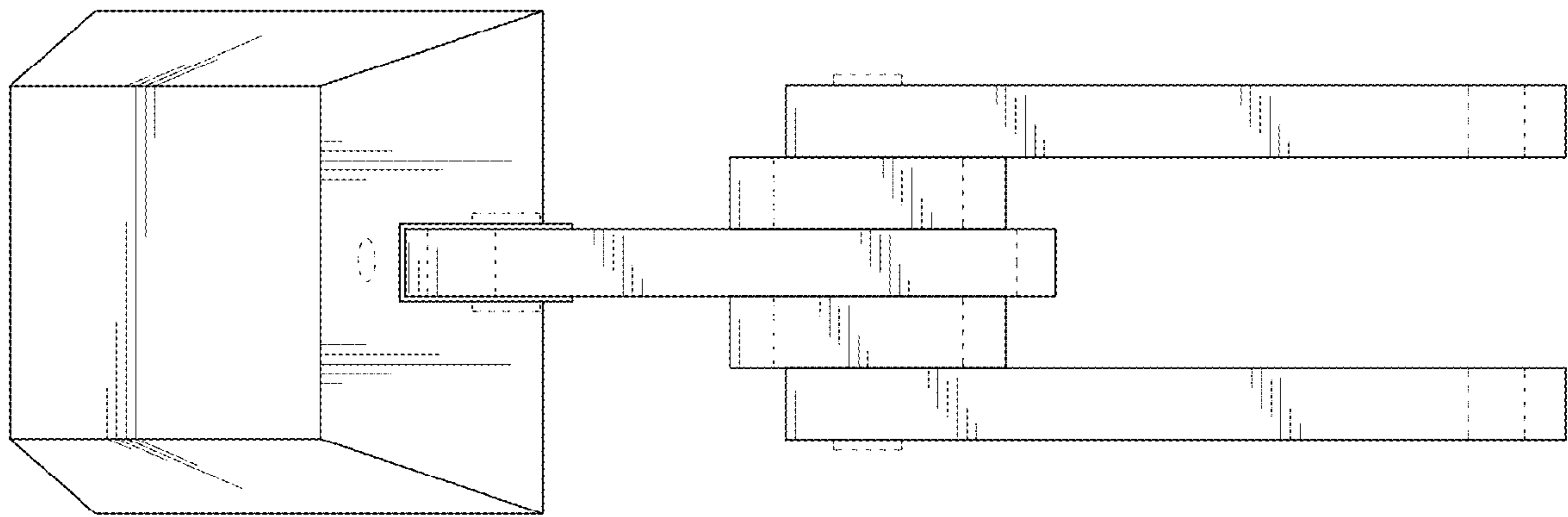


FIG. 5

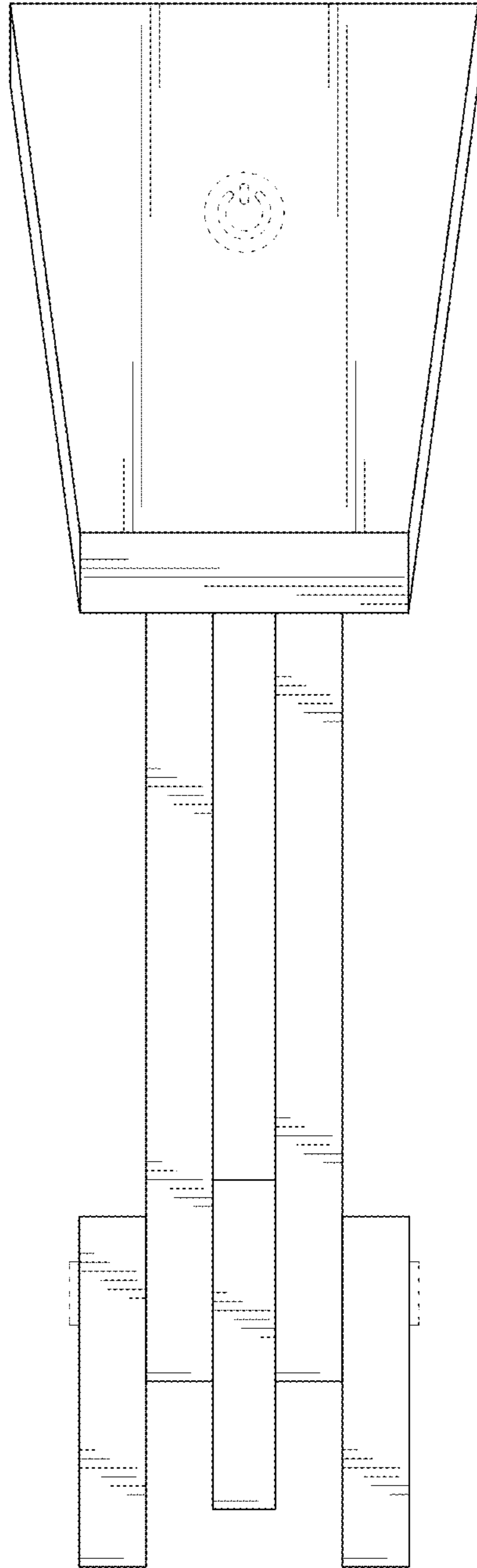


FIG. 6

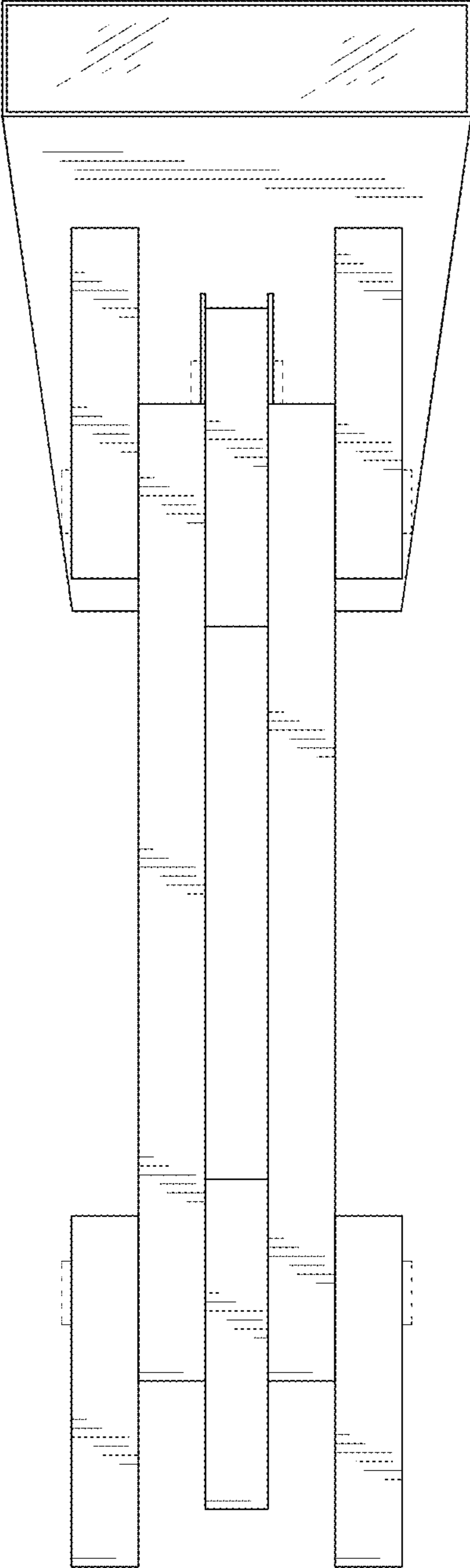


FIG. 7