



US00D929641S

(12) **United States Design Patent** (10) **Patent No.:** **US D929,641 S**
Sonneman et al. (45) **Date of Patent:** **** Aug. 31, 2021**

(54) **LIGHT FIXTURE**

D891,681 S * 7/2020 Amato D26/89
D894,467 S * 8/2020 Xu D26/88
D895,193 S * 9/2020 Gong D26/88

(71) Applicant: **Contemporary Visions, LLC**,
Larchmont, NY (US)

(72) Inventors: **Robert A. Sonneman**, Mamaroneck,
NY (US); **Nuno Pires Da Silva**, Lisbon
(PT)

(73) Assignee: **CONTEMPORARY VISIONS, LLC**,
Larchmont, NY (US)

(**) Term: **15 Years**

(21) Appl. No.: **29/652,844**

(22) Filed: **Dec. 16, 2020**

(51) **LOC (13) Cl.** **26-03**

(52) **U.S. Cl.**
USPC **D26/88**; D26/89; D26/91

(58) **Field of Classification Search**
USPC D26/85, 88, 89, 91, 118, 72, 76, 78
CPC F21S 8/03; F21S 8/033; F21S 8/036; F21S
8/04; F21S 8/043; F21S 8/046; F21S
8/06; F21S 8/061; F21S 8/063; F21S
8/065

See application file for complete search history.

(56) **References Cited**

U.S. PATENT DOCUMENTS

D773,098 S * 11/2016 Czech D26/76
D773,717 S * 12/2016 Amato D26/89
D802,819 S * 11/2017 Czech D26/76
D813,438 S * 3/2018 Vyvey D26/72
D827,179 S * 8/2018 Mou D26/72
D831,262 S * 10/2018 Amato D26/88
D857,277 S * 8/2019 Amato D26/88
D877,394 S * 3/2020 Amato D26/88
D887,619 S * 6/2020 Chen D26/88

OTHER PUBLICATIONS

Cubix Single LED Flush Mount Ceiling Light by Sonneman Light-
ing, available from ylighting.com, visited Jun. 2, 2021. (Year:
2021).*

Plaza LED Flush Mount Ceiling Light by Kuzco Lighting, Product
ID: KUZP266355, available from ylighting.com visited Jun. 2,
2021. (Year: 2021).*

LED Outdoor hanging Light Cube by Lucande, Item No. 9619165,
available at lights.co.uk as early as Jun. 1, 2020. (Year: 2020).*

* cited by examiner

Primary Examiner — Clare E Heflin

(74) *Attorney, Agent, or Firm* — Gottlieb, Rackman &
Reisman, PC

(57) **CLAIM**

The ornamental design for a light fixture, as shown and
described.

DESCRIPTION

FIG. 1 is a perspective view of a light fixture showing our
new design;

FIG. 2 is a first side elevational view thereof;

FIG. 3 is a second side elevational view thereof;

FIG. 4 is a third side elevational view thereof;

FIG. 5 is a fourth side elevational view thereof;

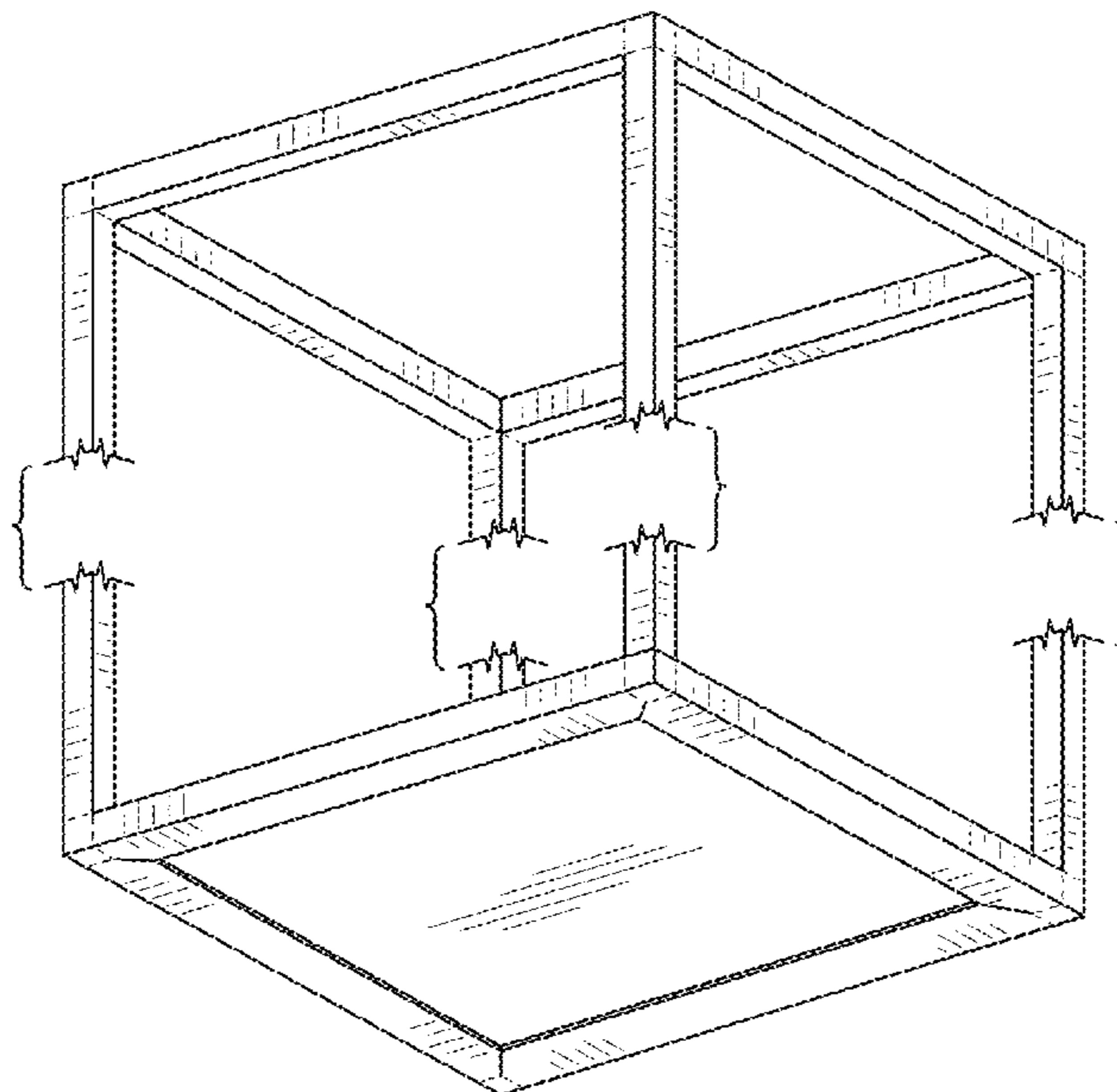
FIG. 6 is a top plan view thereof; and,

FIG. 7 is a bottom plan view thereof.

The broken lines shown in the drawings are included for the
purpose of illustrating elements of the light fixture and form
no part of the claimed design.

The break lines shown in the drawings indicate that the
appearance of any portion of the article between the break
lines forms no part of the claimed design.

1 Claim, 4 Drawing Sheets



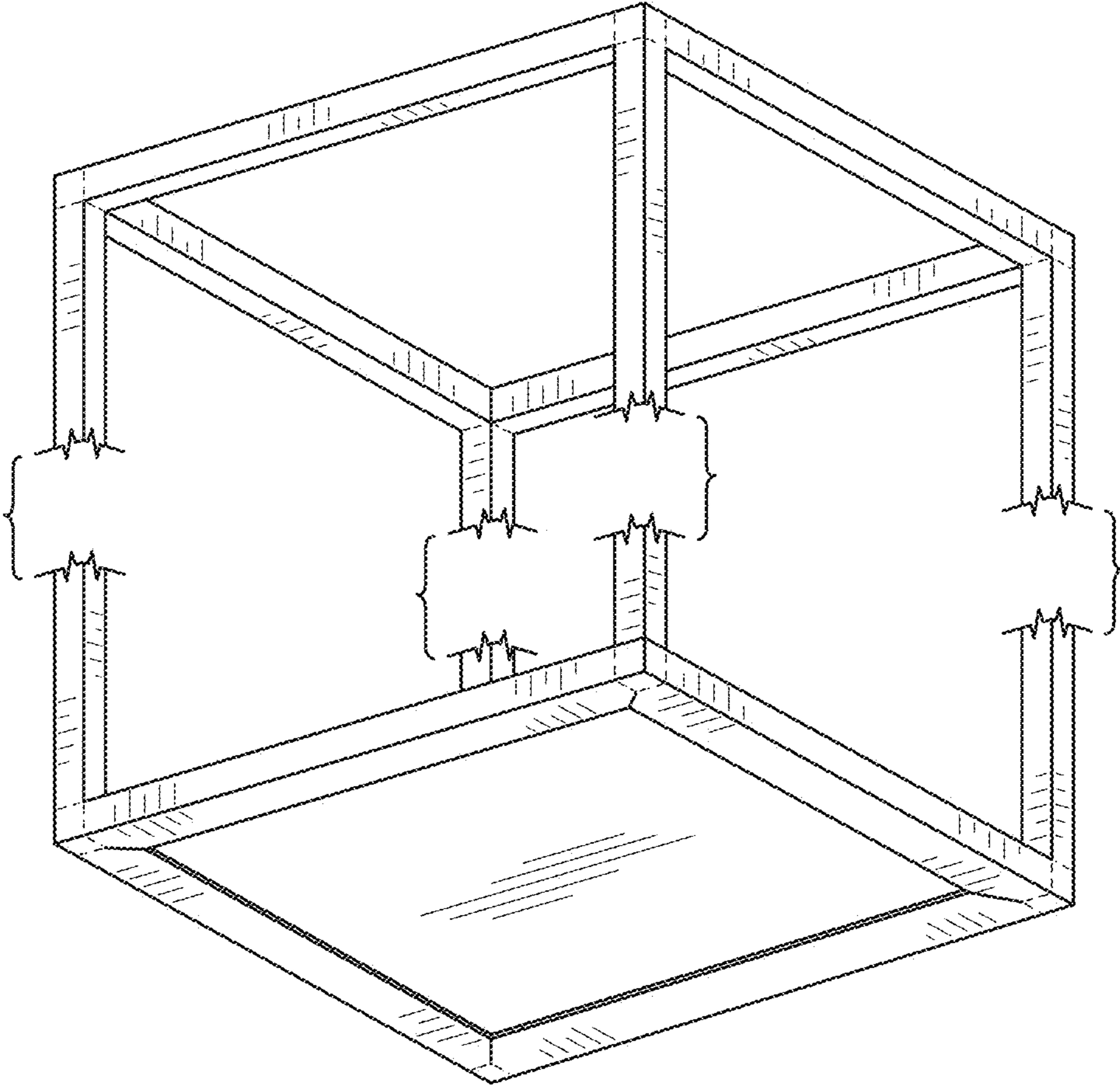


FIG. 1

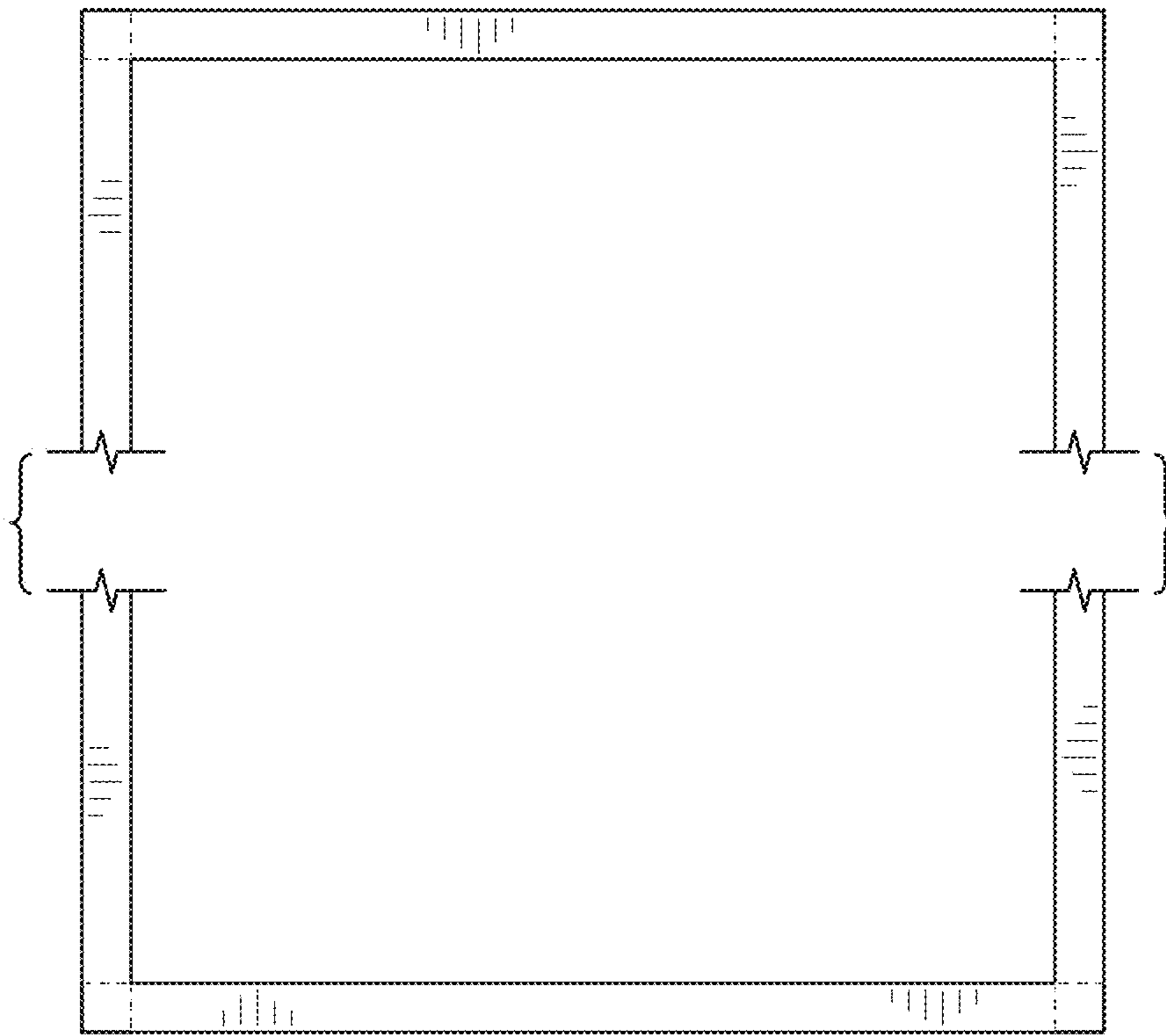


FIG. 2

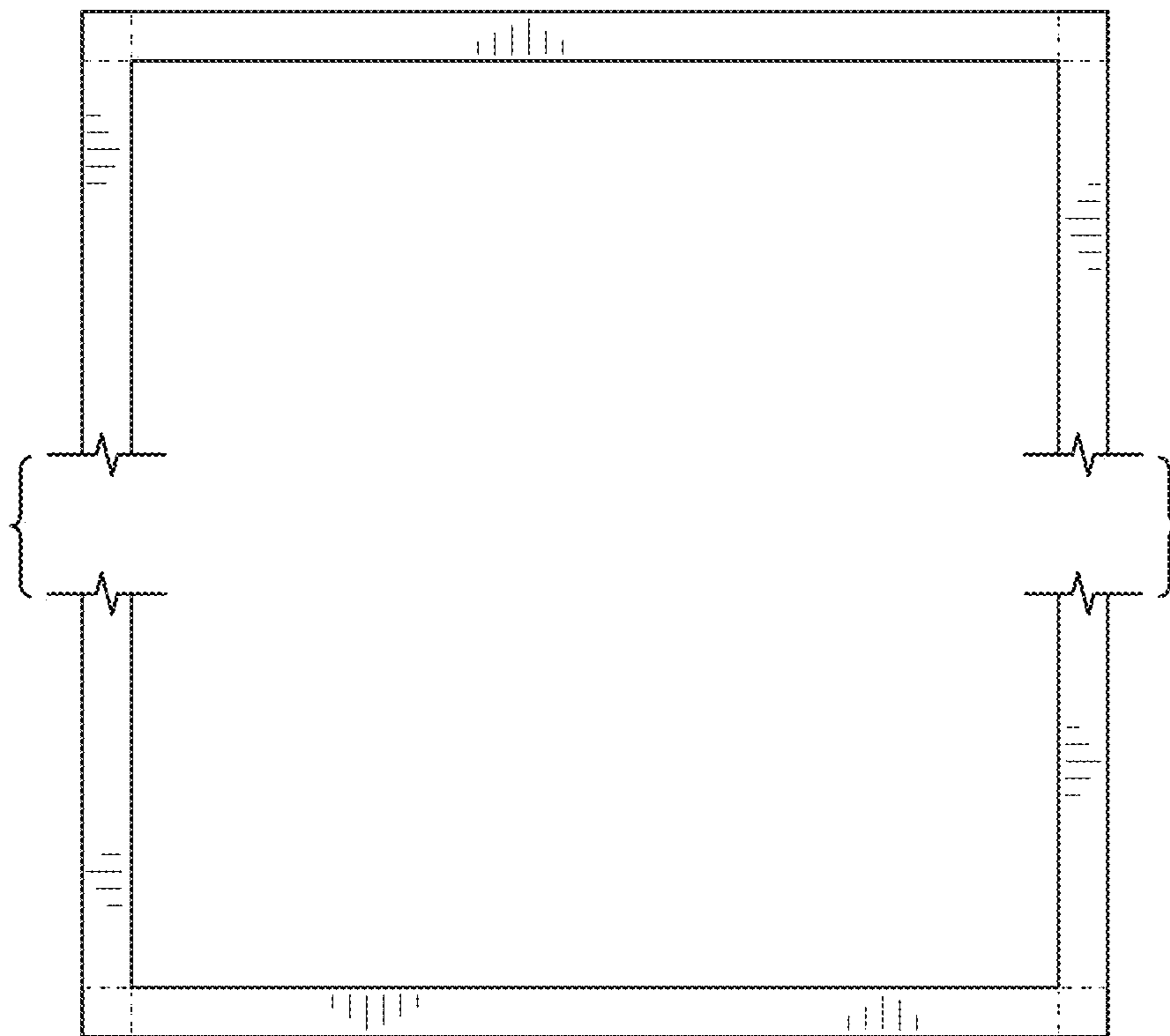


FIG. 3

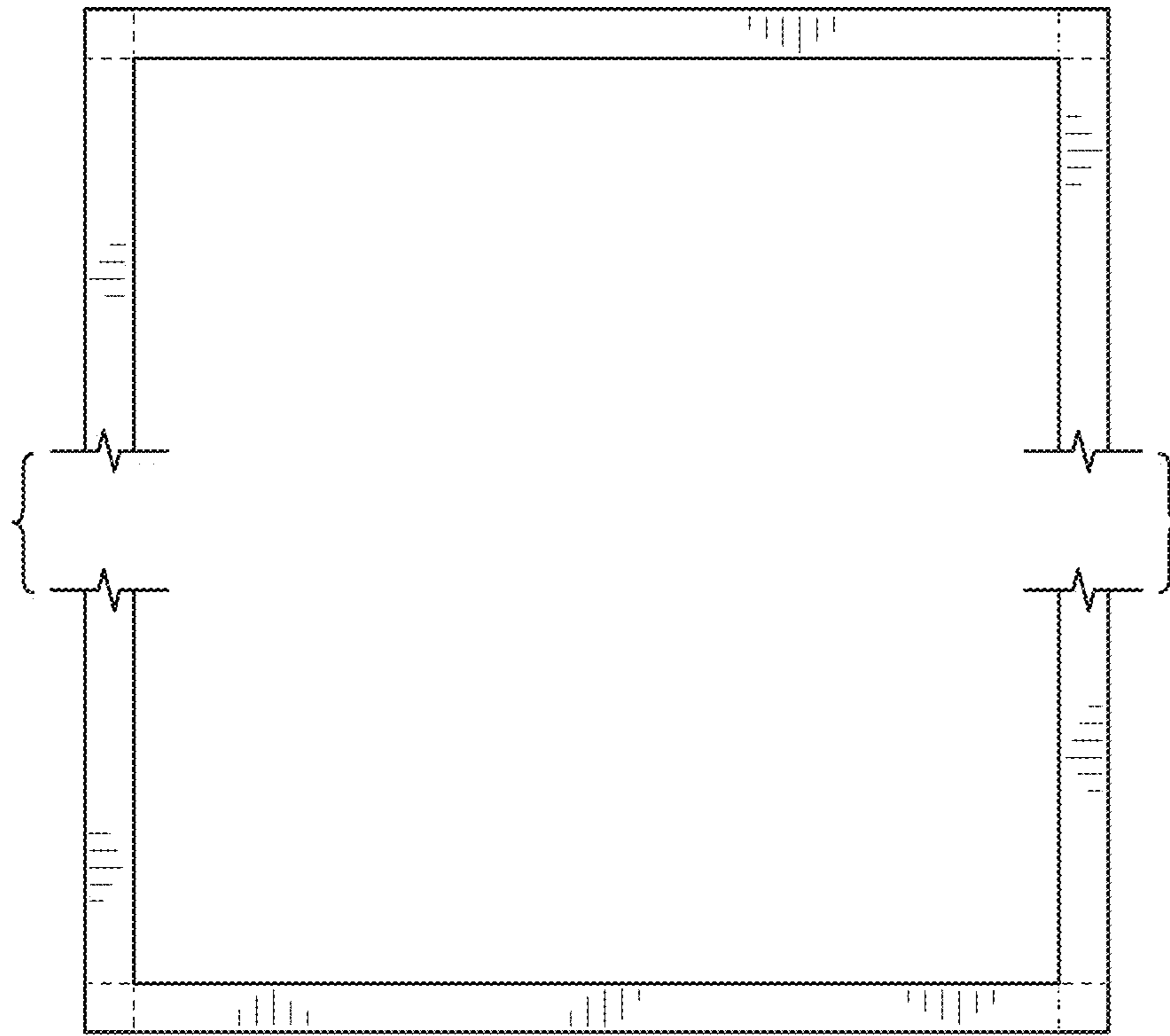


FIG. 4

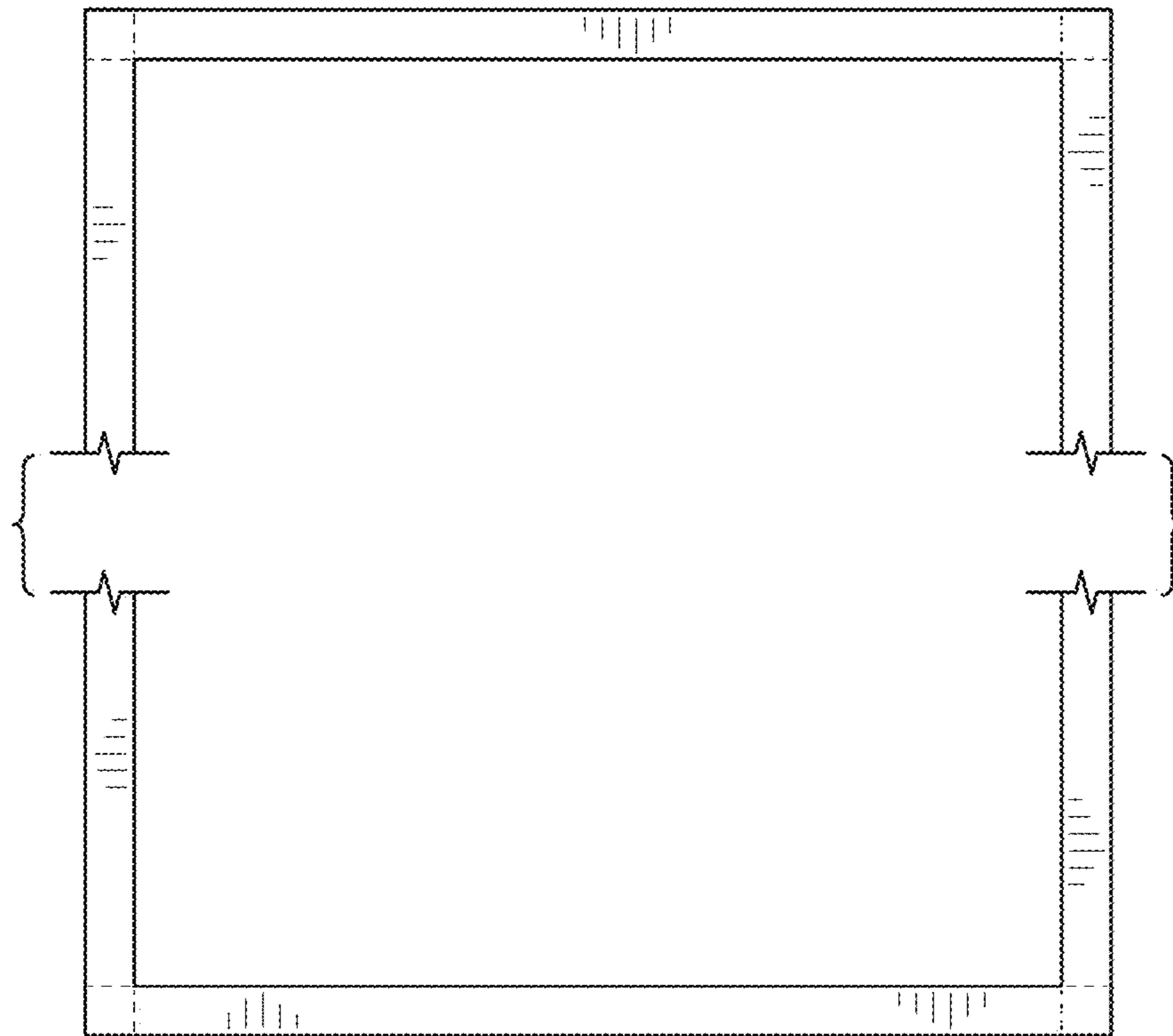


FIG. 5

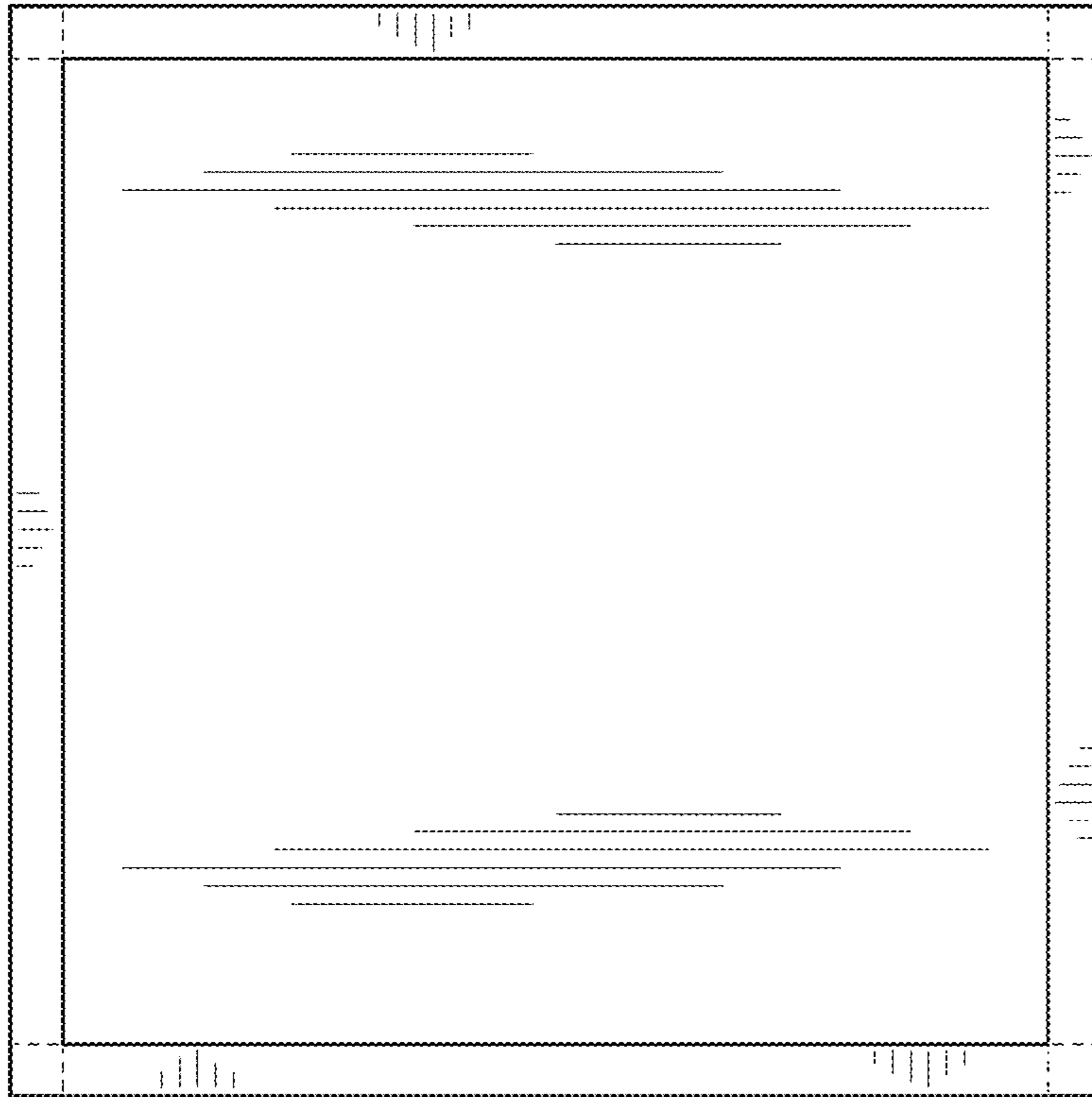


FIG. 6

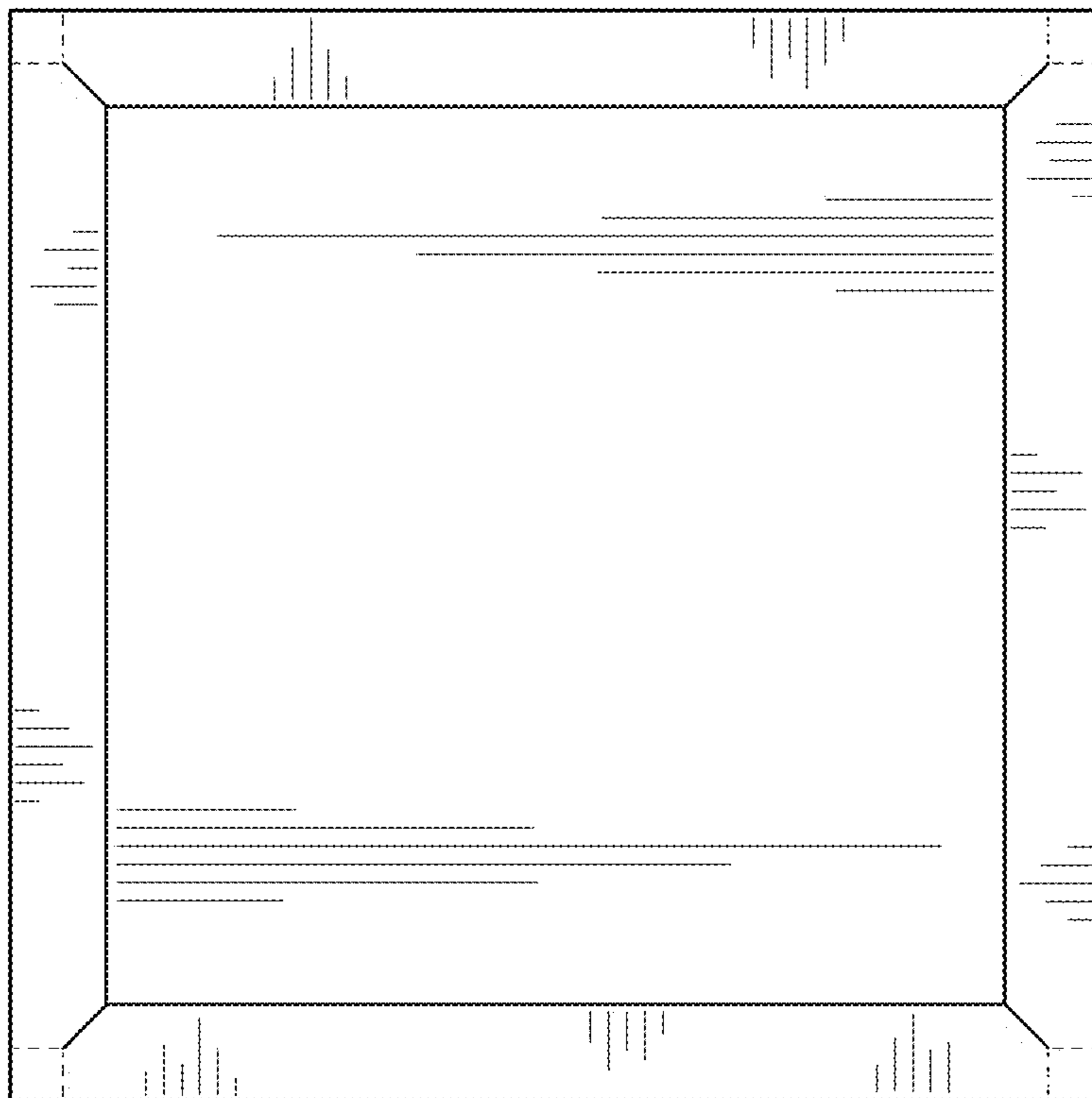


FIG. 7