



US00D929639S

(12) **United States Design Patent** (10) **Patent No.:** **US D929,639 S**
Duckworth et al. (45) **Date of Patent:** **** Aug. 31, 2021**

(54) **AREA LUMINAIRE**
(71) Applicant: **Hubbell Incorporated**, Shelton, CT (US)
(72) Inventors: **Jason Duckworth**, Simpsonville, SC (US); **Mark Elmore**, Easley, SC (US); **Taylor A. Jenson**, Taylors, SC (US); **Douglas Samuel Hodges**, Anderson, SC (US)
(73) Assignee: **Hubbell Incorporated**, Shelton, CT (US)
(**) Term: **15 Years**
(21) Appl. No.: **29/668,250**
(22) Filed: **Oct. 29, 2018**

Related U.S. Application Data

(60) Division of application No. 29/576,307, filed on Sep. 1, 2016, now Pat. No. Des. 832,484, which is a continuation of application No. 29/525,585, filed on Apr. 30, 2015, now Pat. No. Des. 767,196.
(51) **LOC (13) Cl.** **26-05**
(52) **U.S. Cl.**
USPC **D26/71; D26/92**
(58) **Field of Classification Search**
USPC D26/67-71, 92
CPC .. F21S 9/03; F21S 8/085; F21S 8/086; F21W 2131/103; F21V 15/01
See application file for complete search history.

References Cited

U.S. PATENT DOCUMENTS

D391,659 S * 3/1998 Gaskins D26/71
D556,935 S * 12/2007 Quioque D26/71
D612,090 S * 3/2010 Yu D26/71
D634,878 S * 3/2011 Guercio D26/71

8,029,151 B2 * 10/2011 Butler F21S 8/086
362/20
D652,557 S * 1/2012 Boissevain D26/71
D652,978 S * 1/2012 Boissevain D26/71
D660,496 S * 5/2012 Akdag D26/71
D670,021 S * 10/2012 Ahrari D26/92
D672,492 S * 12/2012 Butler D26/71
D674,950 S * 1/2013 Lueken D26/71
D680,258 S * 4/2013 Ahrari D26/92
D680,259 S * 4/2013 Ahrari D26/92
D680,676 S * 4/2013 Boyer D26/92
D688,404 S * 8/2013 Boissevain D26/71
D689,233 S * 9/2013 Boissevain D26/71
D726,947 S * 4/2015 Boyer D26/71
D736,984 S * 8/2015 Dal Ponte D26/92
D742,577 S * 11/2015 Duckworth D26/92
D749,256 S * 2/2016 Compton D26/71
D754,385 S * 4/2016 Hunt, III D26/92
D767,196 S * 9/2016 Duckworth D26/92

(Continued)

Primary Examiner — Clare E Heflin
(74) *Attorney, Agent, or Firm* — Michael Best & Friedrich LLP

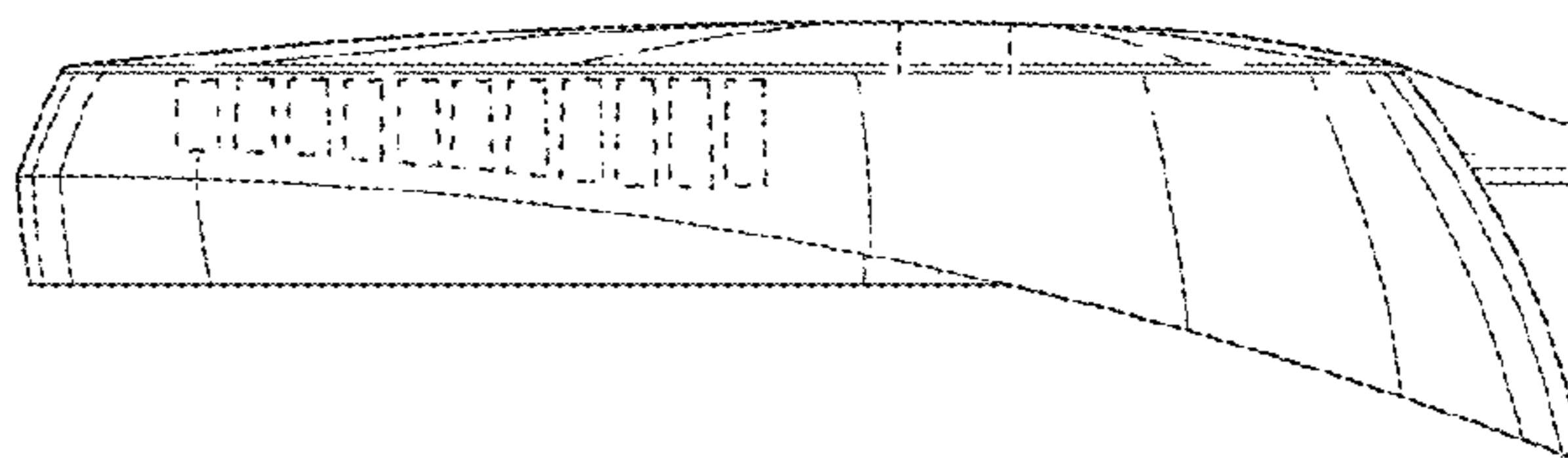
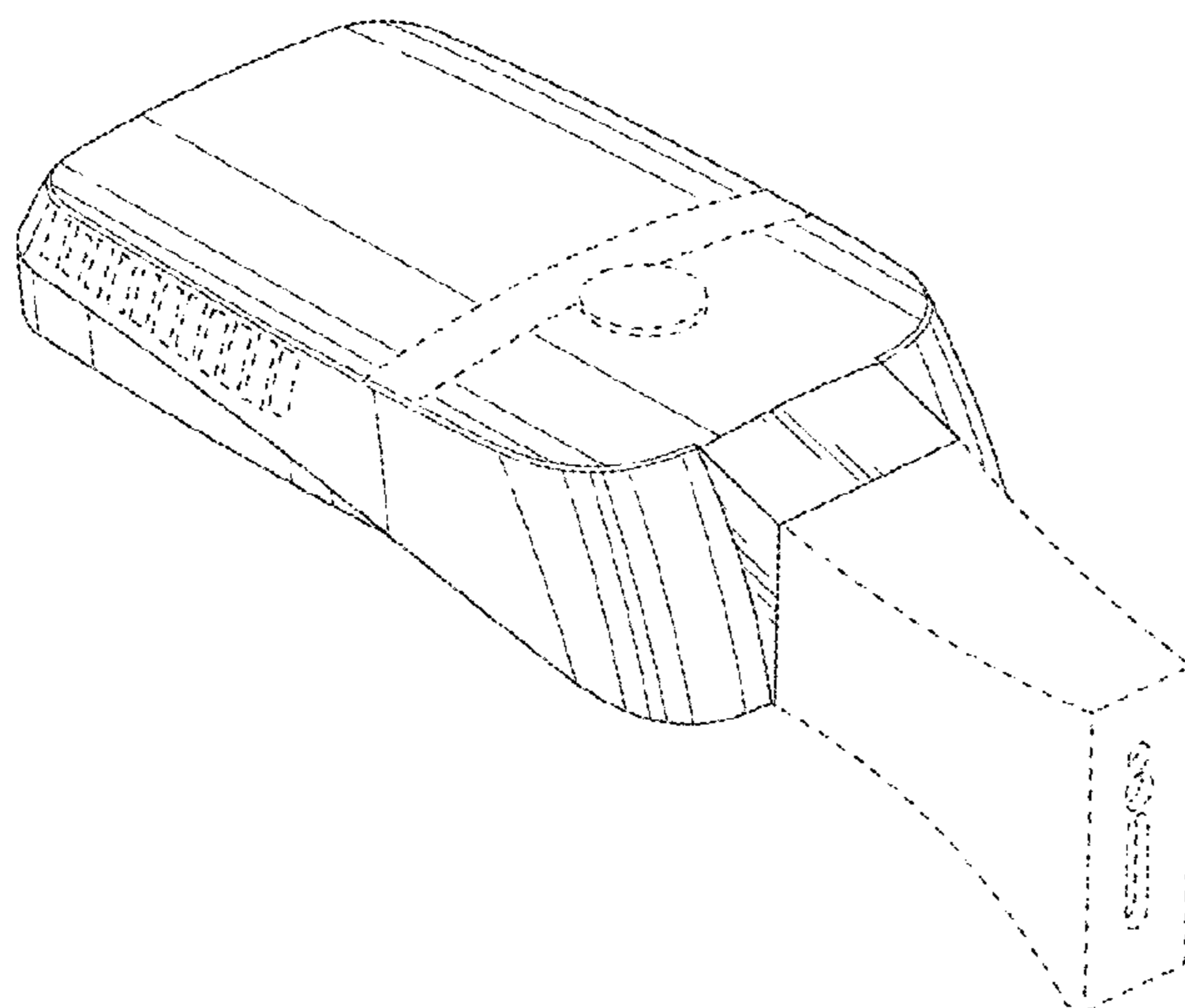
(57) **CLAIM**

The ornamental design for an area luminaire, as shown and described.

DESCRIPTION

FIG. 1 is a rear perspective view of an embodiment of the design;
FIG. 2 is another rear perspective view of FIG. 1;
FIG. 3 is a bottom, front perspective view of FIG. 1;
FIG. 4 is a rear view of FIG. 1;
FIG. 5 is a front view of FIG. 1;
FIG. 6 is a top view of FIG. 1;
FIG. 7 is a bottom view of FIG. 1; and,
FIG. 8 is a right side view of FIG. 1.
The broken lines show portions of the area luminaire that form no part of the claimed design.

1 Claim, 2 Drawing Sheets



(56)

References Cited

U.S. PATENT DOCUMENTS

D776,859 S *	1/2017	Duckworth	D26/92
D832,484 S *	10/2018	Duckworth	D26/71
D851,811 S *	6/2019	Liu	D26/92
D854,721 S *	7/2019	Sohn	D26/71
D855,858 S *	8/2019	Chen	D26/71
D861,222 S *	9/2019	Levy	D26/71
2010/0238671 A1 *	9/2010	Catone	F21S 8/086 362/373
2011/0013397 A1 *	1/2011	Catone	F21S 8/086 362/244
2015/0345772 A1 *	12/2015	Duckworth	F21V 29/76 362/373

* cited by examiner

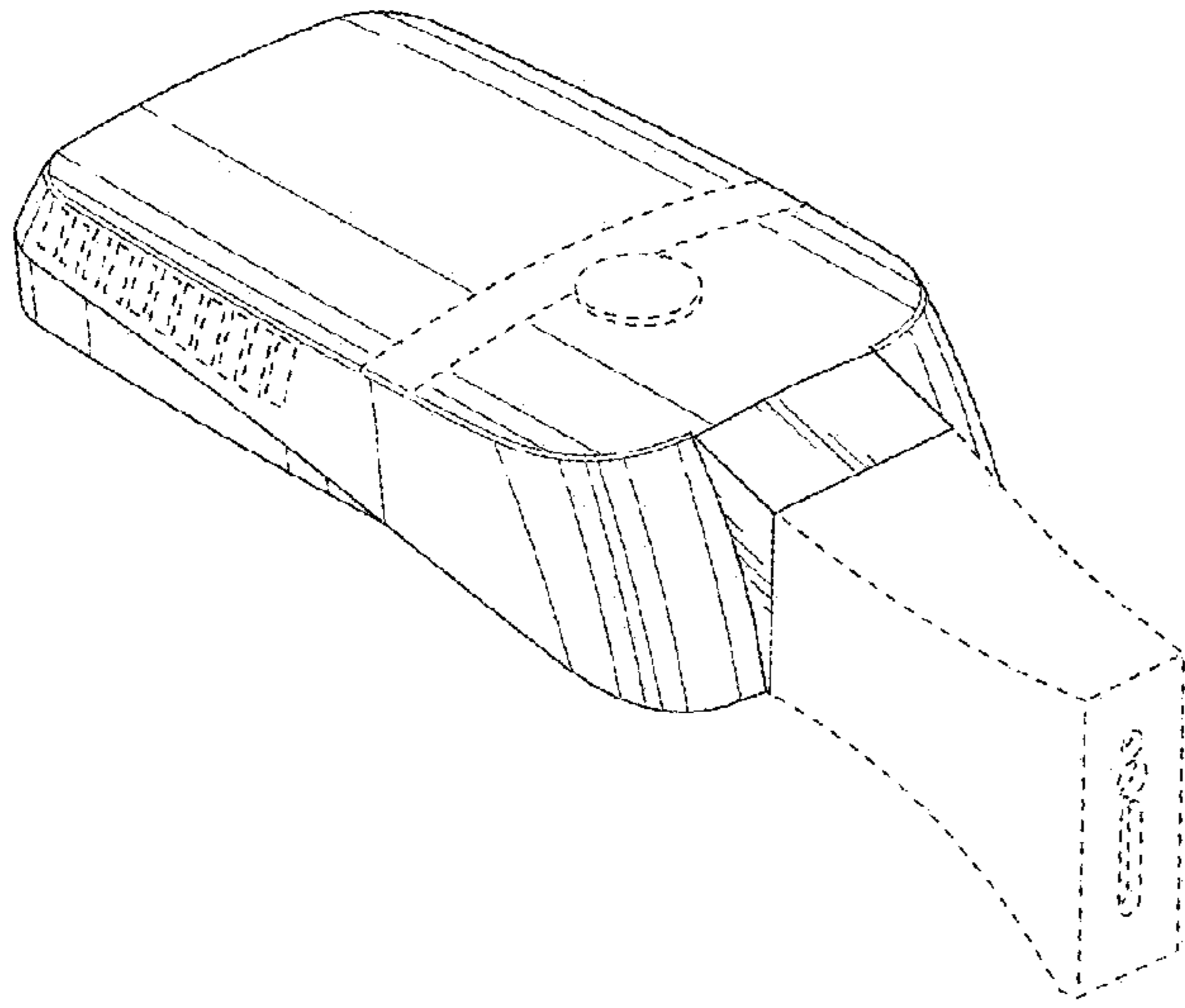


FIG. 1

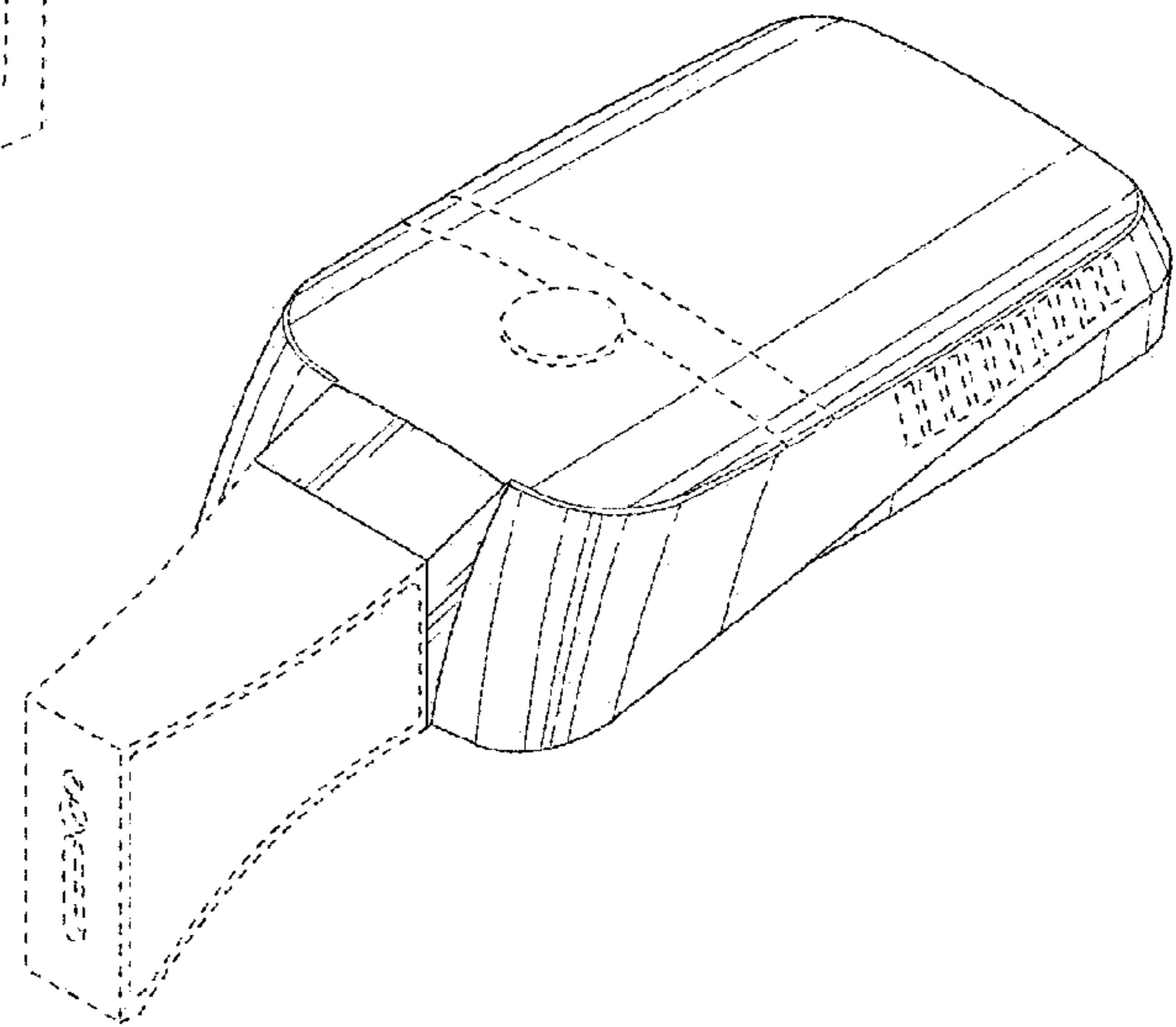


FIG. 2

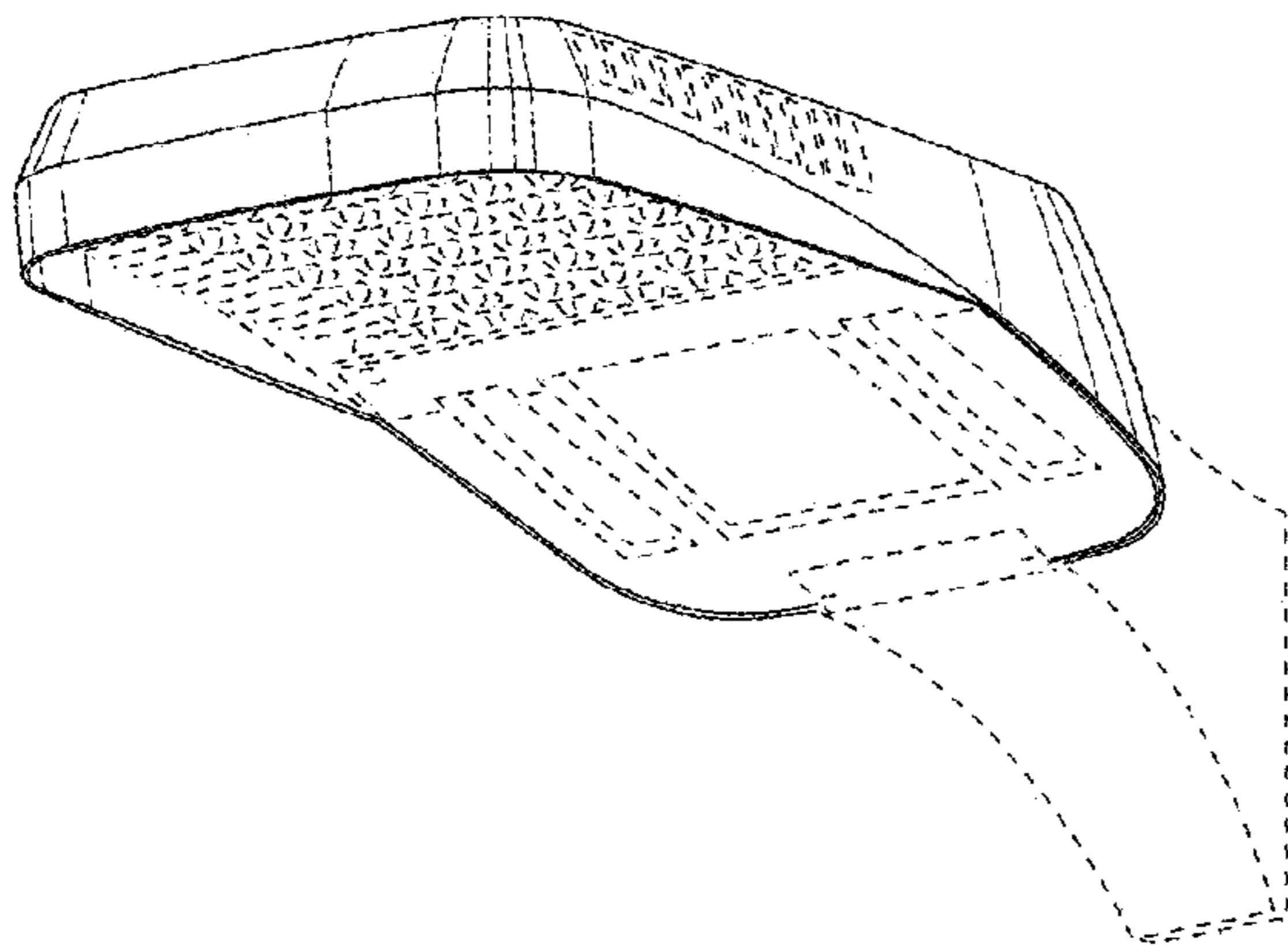


FIG. 3

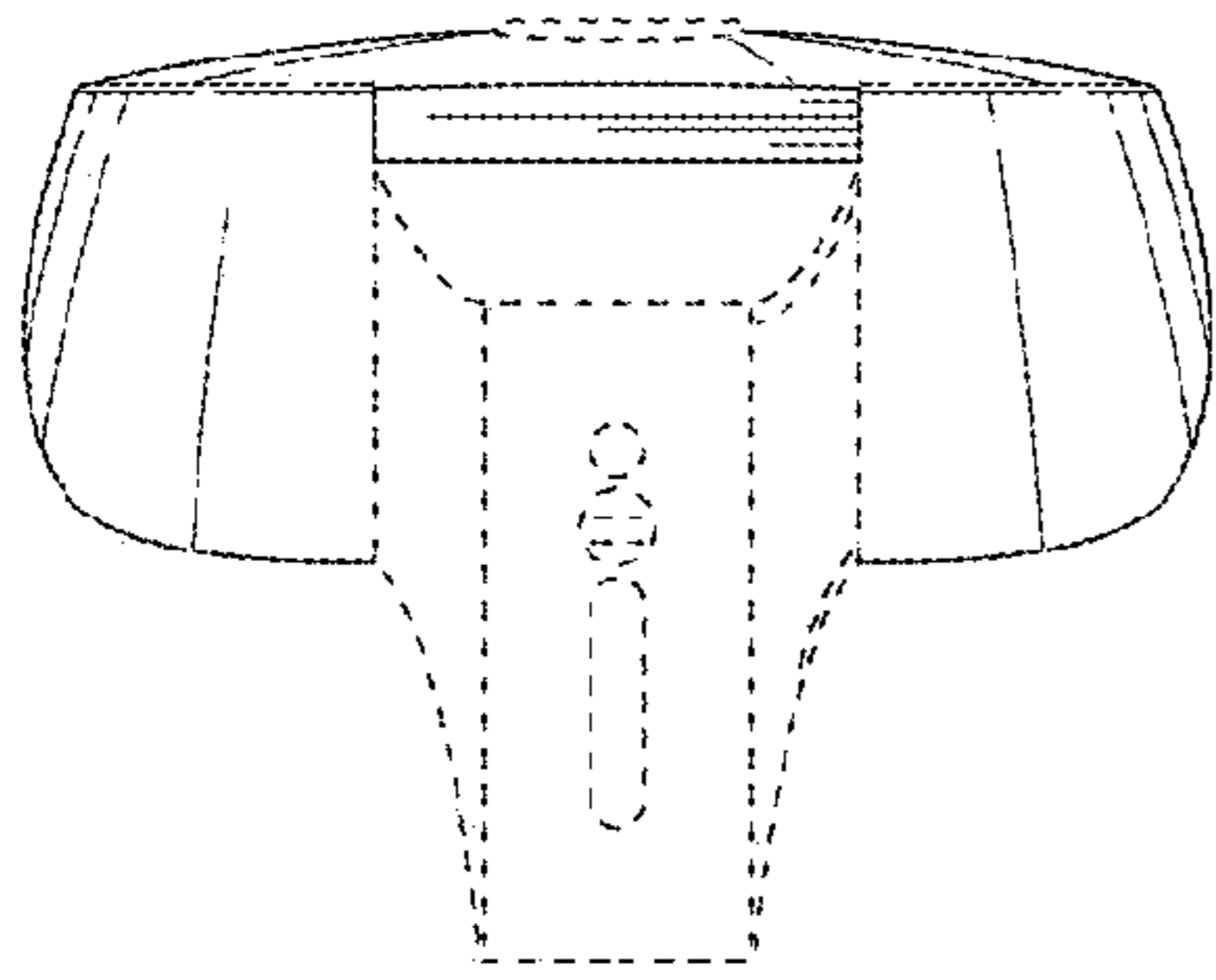


FIG. 4

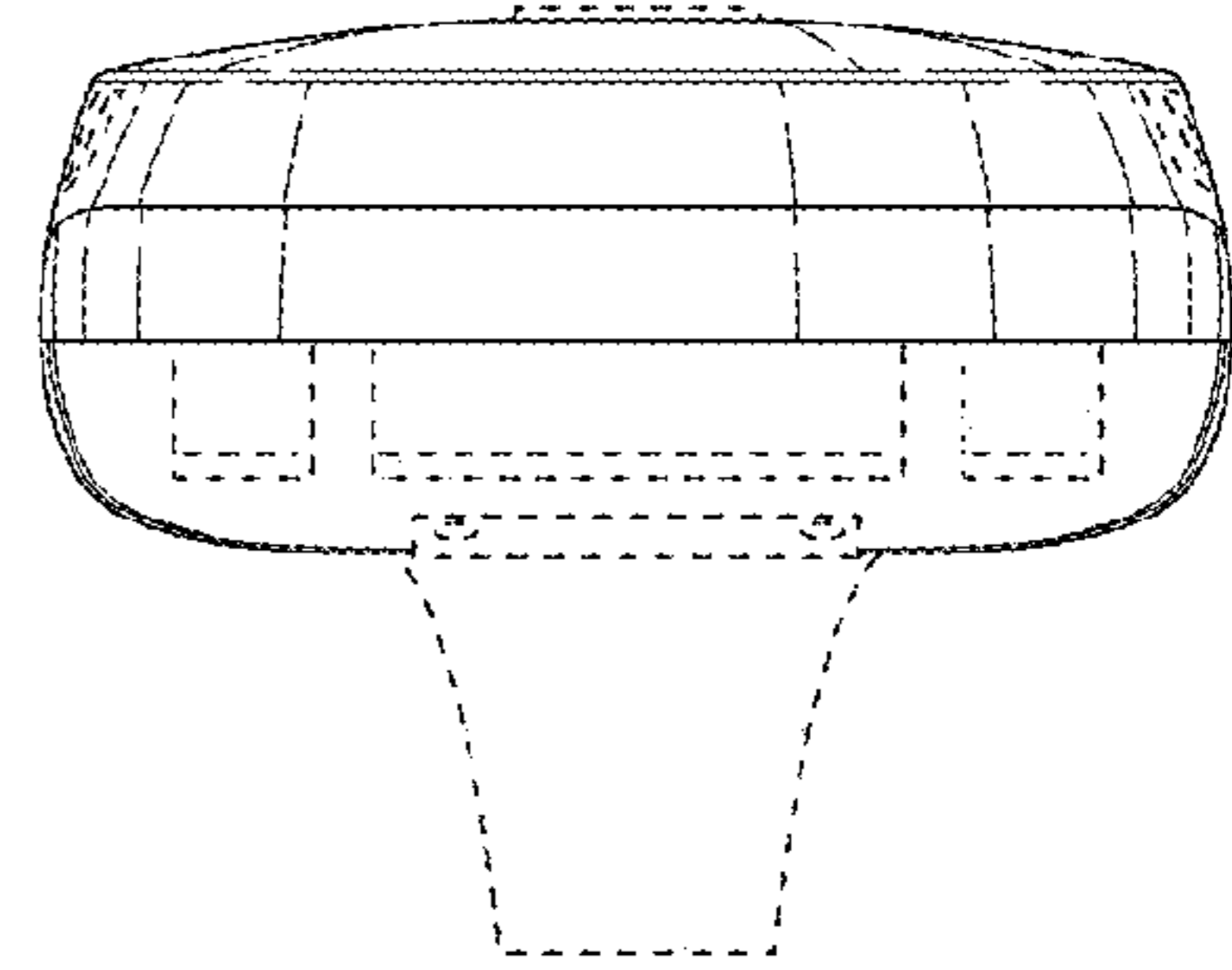


FIG. 5

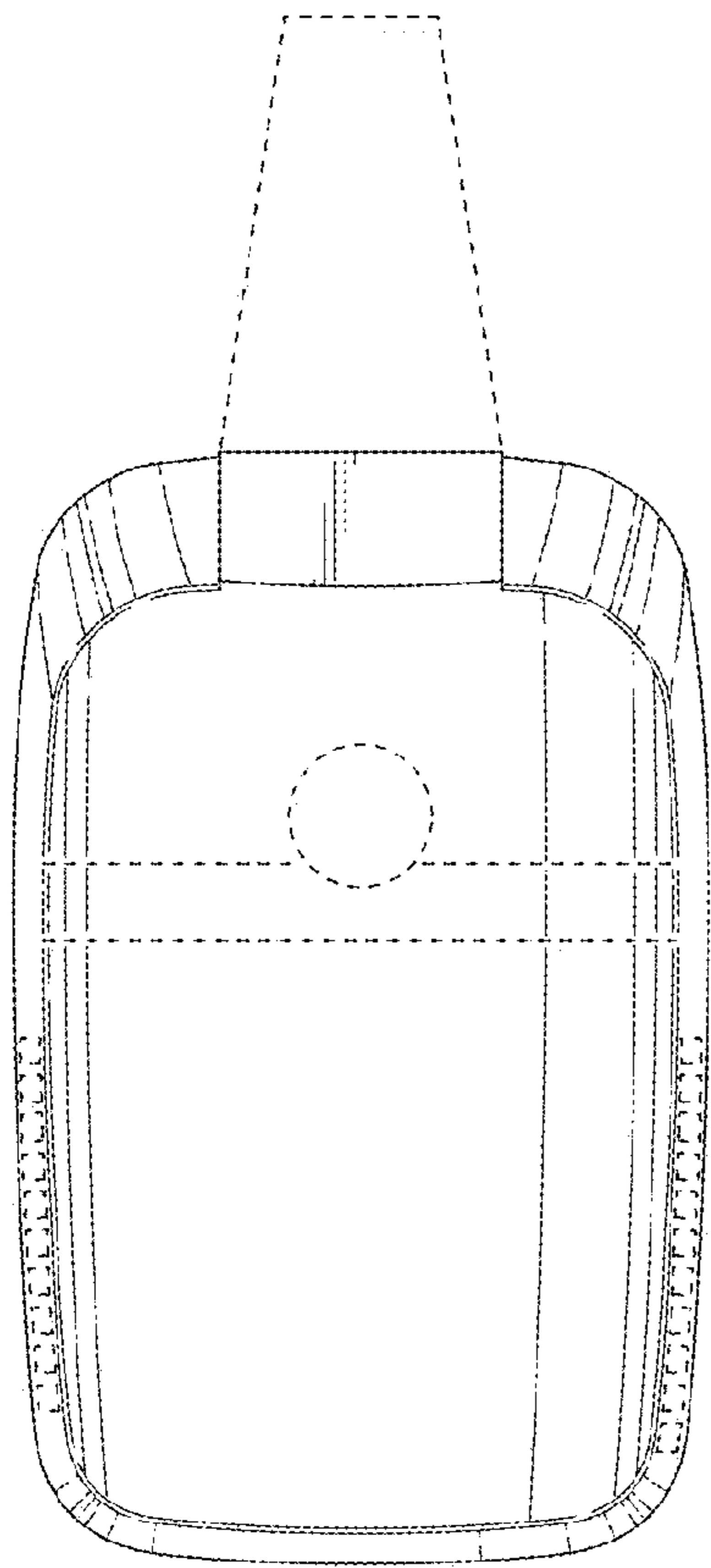


FIG. 6

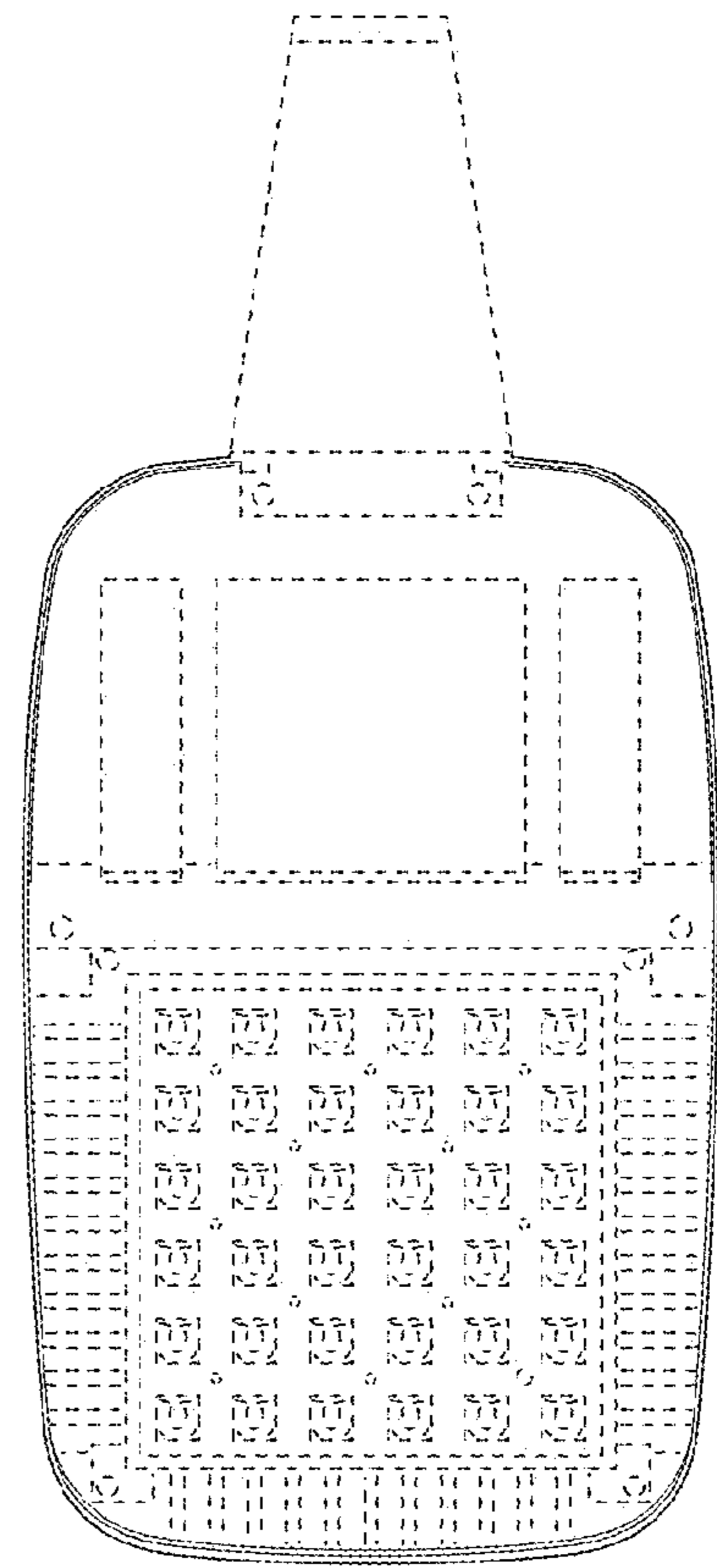


FIG. 7

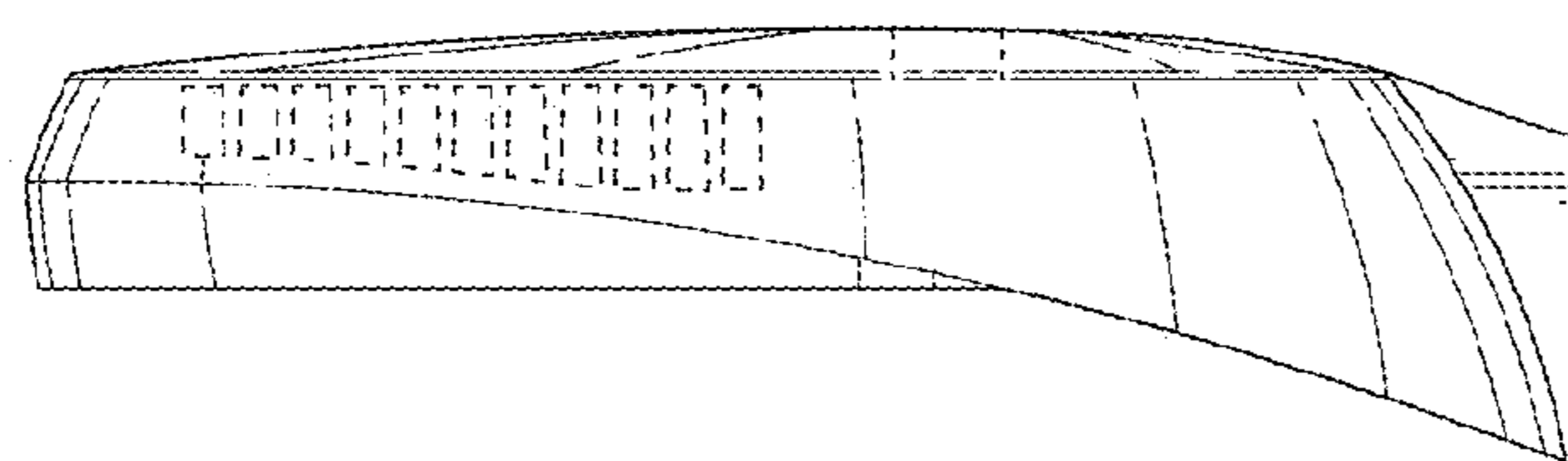


FIG. 8