



US00D929638S

(12) **United States Design Patent** (10) **Patent No.:** **US D929,638 S**  
**Lechtenberg** (45) **Date of Patent:** **\*\* Aug. 31, 2021**

(54) **LIGHT FIXTURE**  
(71) Applicant: **Rolf Lechtenberg**, Dortmund (DE)  
(72) Inventor: **Rolf Lechtenberg**, Dortmund (DE)  
(73) Assignee: **ERCO GMBH**, Luedenscheid (DE)  
(\*\*) Term: **15 Years**  
(21) Appl. No.: **29/726,859**  
(22) Filed: **Mar. 6, 2020**

(30) **Foreign Application Priority Data**  
Sep. 9, 2019 (EM) ..... 006849857-0004  
Sep. 9, 2019 (EM) ..... 006849857-0008  
Sep. 9, 2019 (EM) ..... 006849857-0016  
Feb. 27, 2020 (EM) ..... 007719703-0001  
Feb. 27, 2020 (EM) ..... 007719703-0003

(51) **LOC (13) Cl.** ..... **26-03**  
(52) **U.S. Cl.**  
USPC ..... **D26/65**  
(58) **Field of Classification Search**  
USPC ..... D26/61, 63, 64, 65  
CPC . F21V 7/03; F21V 21/28; F21V 21/26; F21V  
21/06; F21V 21/00; F21W 2131/30;  
F21W 2131/10; F21S 8/024; F21S 6/003;  
F21S 8/003; F21S 6/00; F21S 8/00; F21F  
6/00  
See application file for complete search history.

(56) **References Cited**  
U.S. PATENT DOCUMENTS  
D417,300 S \* 11/1999 Stacy ..... D26/63  
D566,873 S \* 4/2008 Grundl ..... D26/63  
D587,832 S \* 3/2009 Bergmann ..... D26/63

7,762,688 B2 \* 7/2010 Dixon ..... F21V 21/30  
362/287  
D670,846 S \* 11/2012 Ramirez ..... D26/63  
D671,252 S \* 11/2012 You ..... D26/63  
D748,313 S \* 1/2016 Grundl ..... D26/63  
D751,746 S \* 3/2016 Hoang ..... D26/63  
D806,303 S \* 12/2017 Matsui ..... D26/65  
10,208,932 B2 \* 2/2019 Matsui ..... F21V 21/28  
2017/0307194 A1 \* 10/2017 Fuma ..... F21V 21/26  
2020/0300445 A1 \* 9/2020 Fujisawa ..... F21V 21/30

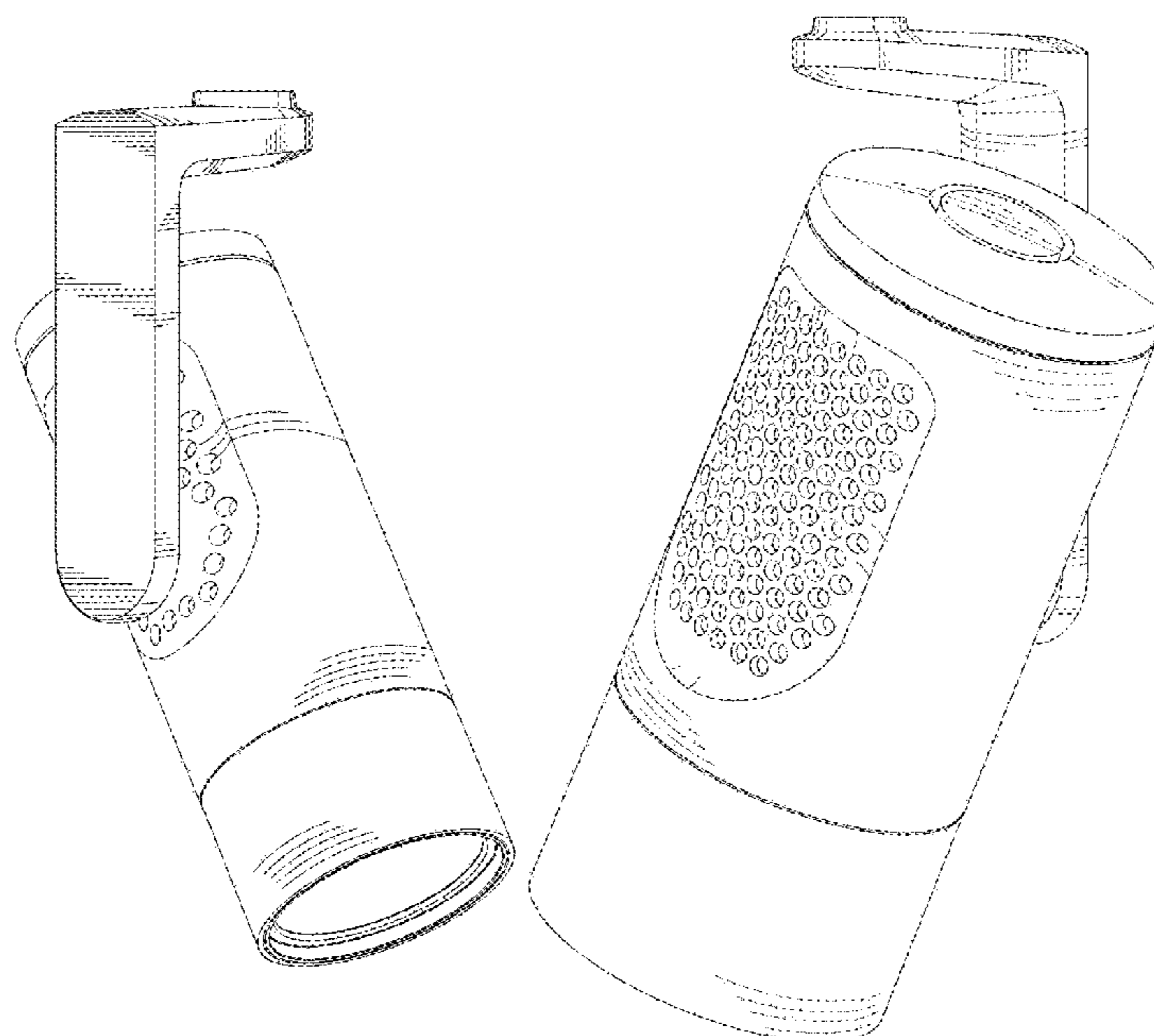
\* cited by examiner

*Primary Examiner* — Brian N. Vinson  
(74) *Attorney, Agent, or Firm* — Andrew Wilford

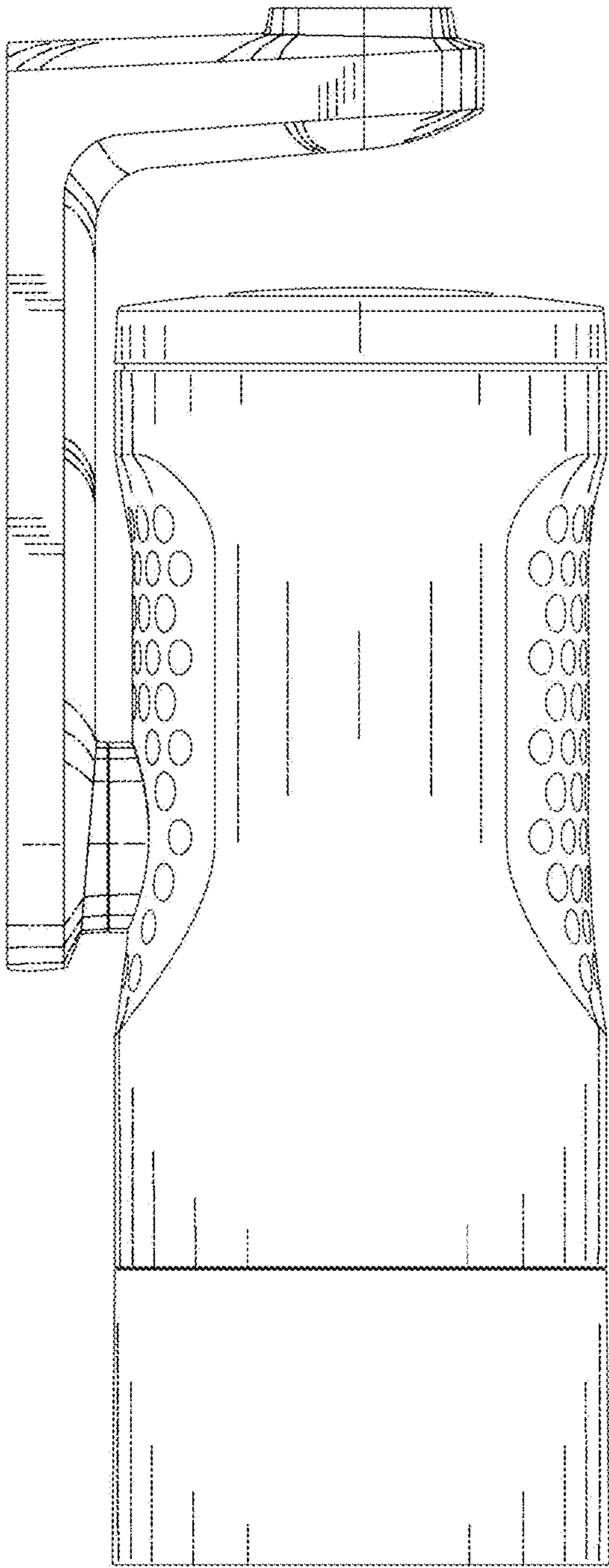
(57) **CLAIM**  
The ornamental design for a light fixture, as shown and described.

**DESCRIPTION**  
FIG. 1 is a side elevational view of the invention;  
FIG. 2 is a front elevational view of the invention at a right angle to the view of FIG. 1;  
FIG. 3 is a back elevational view of the invention;  
FIG. 4 is a bottom view of the invention;  
FIG. 5 is a perspective view of the invention;  
FIG. 6 is another perspective view of the invention from a direction opposite that of FIG. 1;  
FIG. 7 is a side elevational view of a second embodiment of the invention;  
FIG. 8 is a front elevational view of the invention at a right angle to the view of FIG. 7;  
FIG. 9 is a back elevational view of the invention;  
FIG. 10 is a bottom view of the invention;  
FIG. 11 is a perspective view of the invention; and,  
FIG. 12 is another perspective view of the invention from a direction opposite that of FIG. 11.

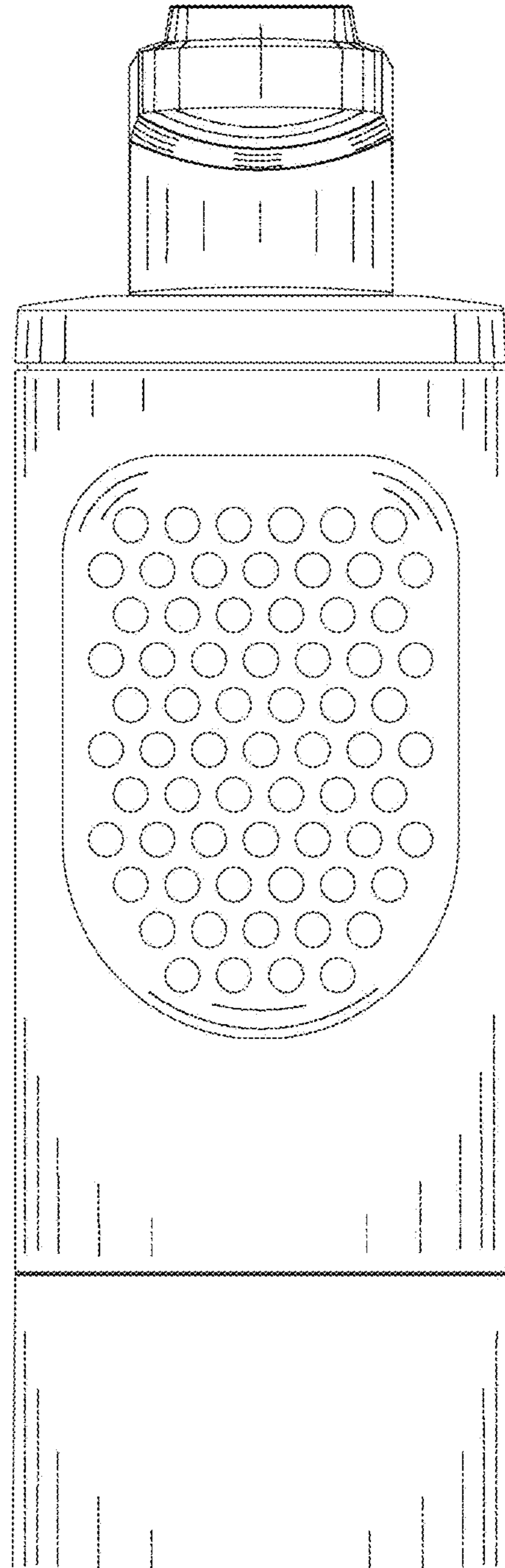
**1 Claim, 8 Drawing Sheets**



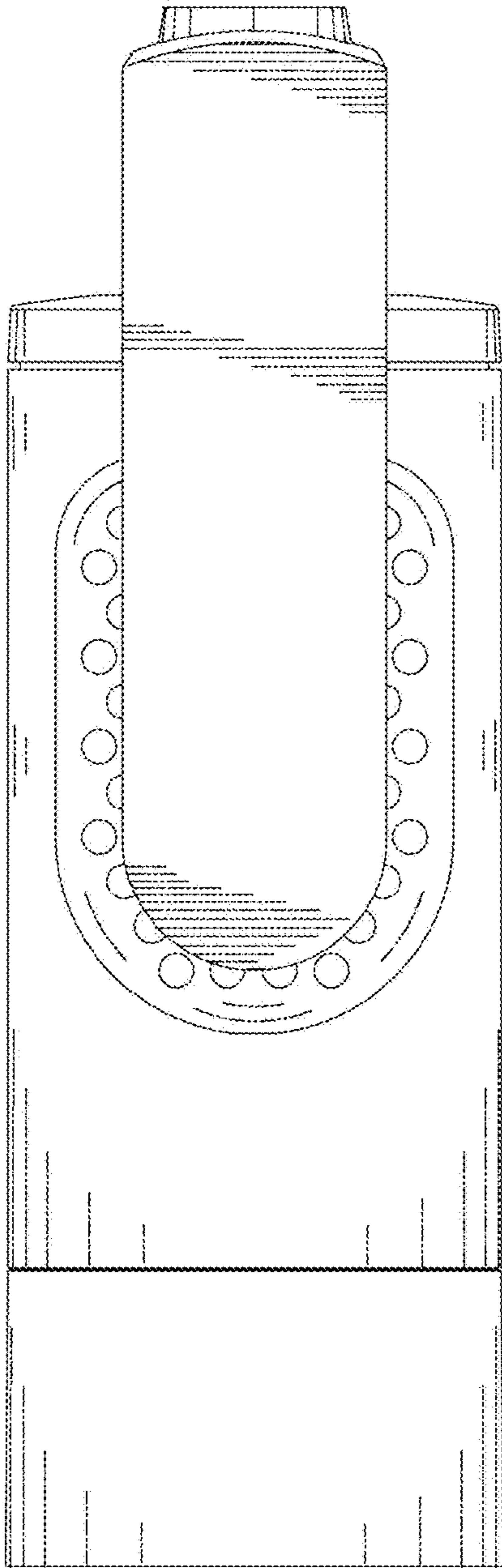
**Fig. 1**



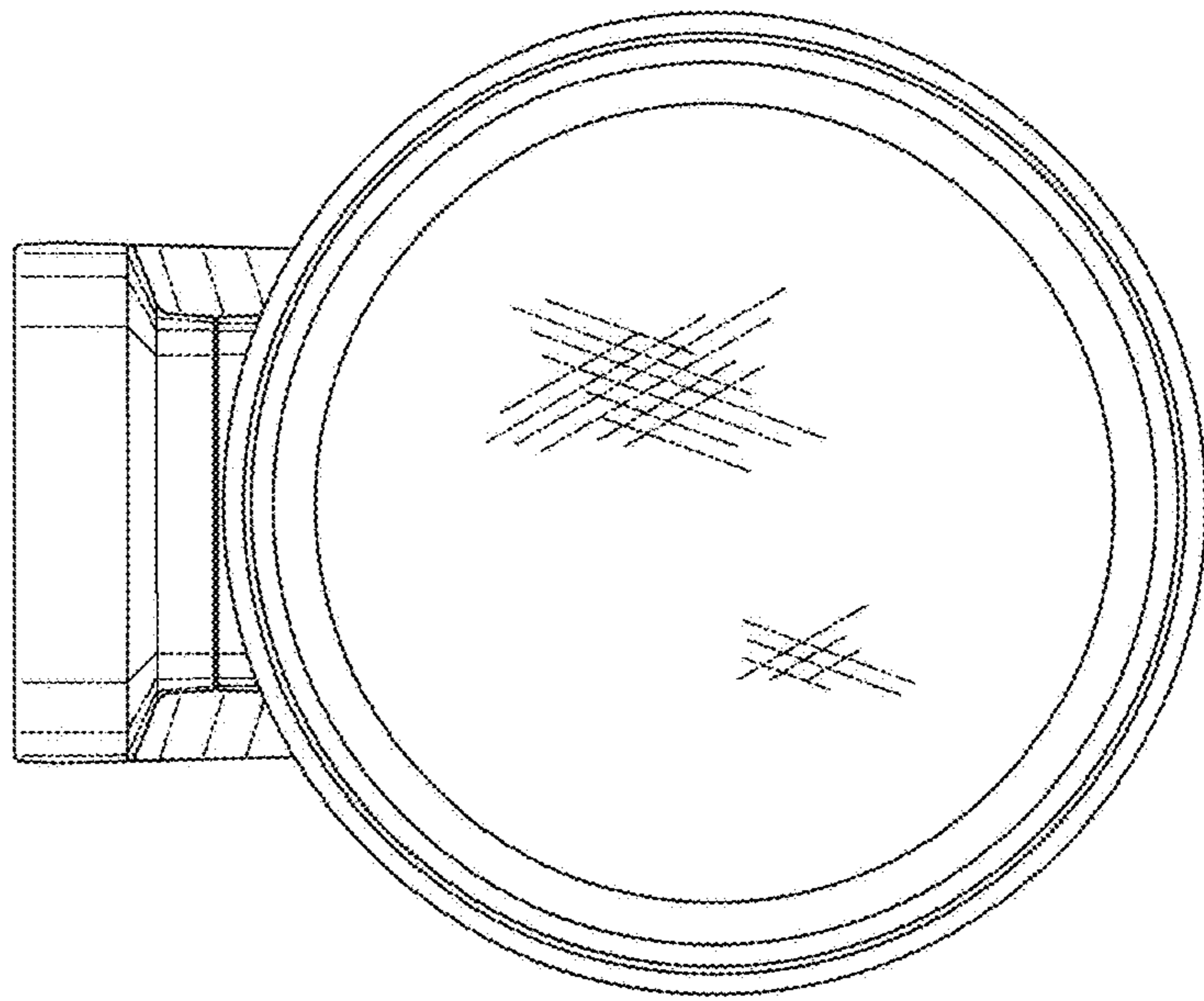
**Fig. 2**



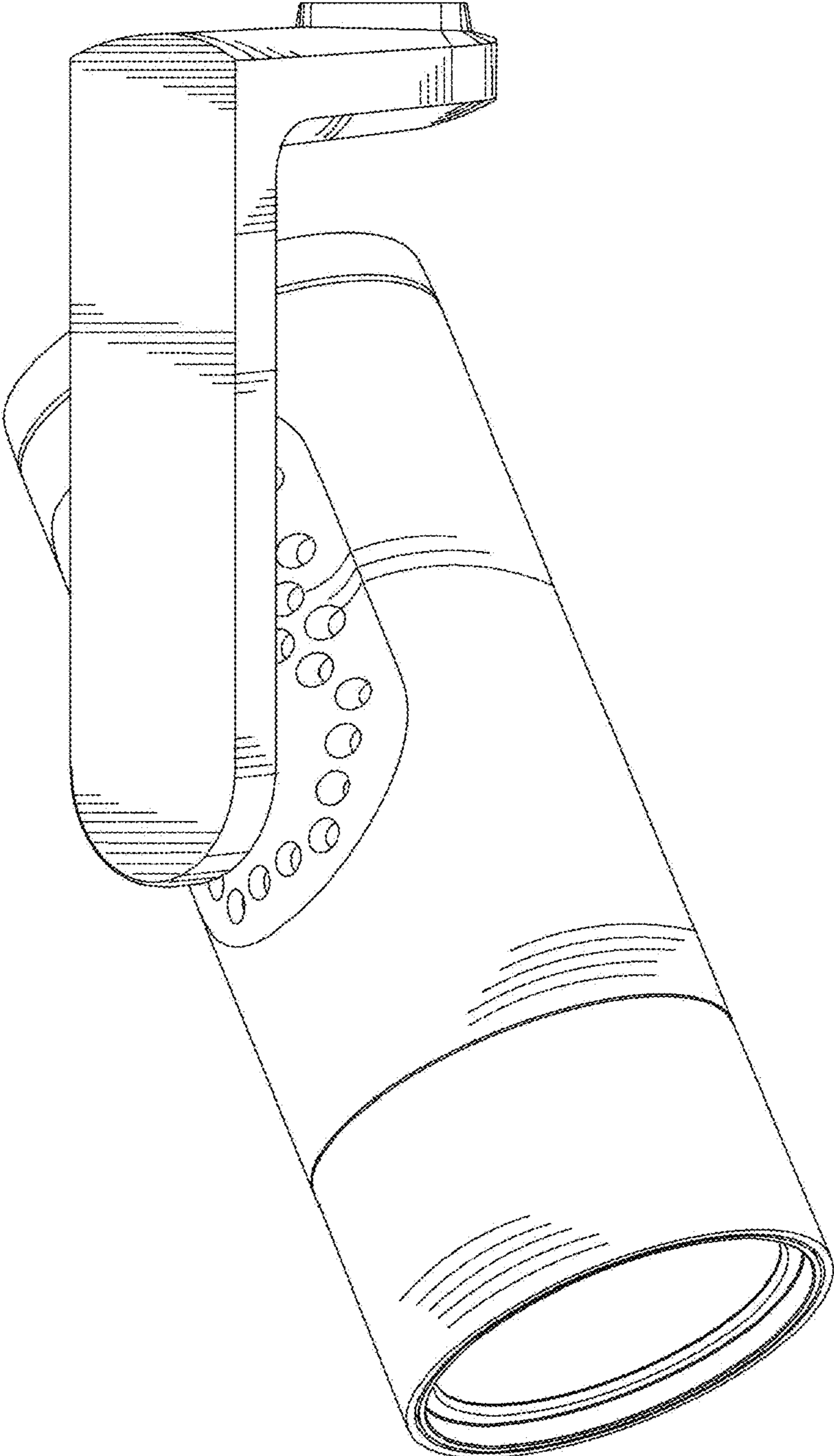
**Fig. 3**



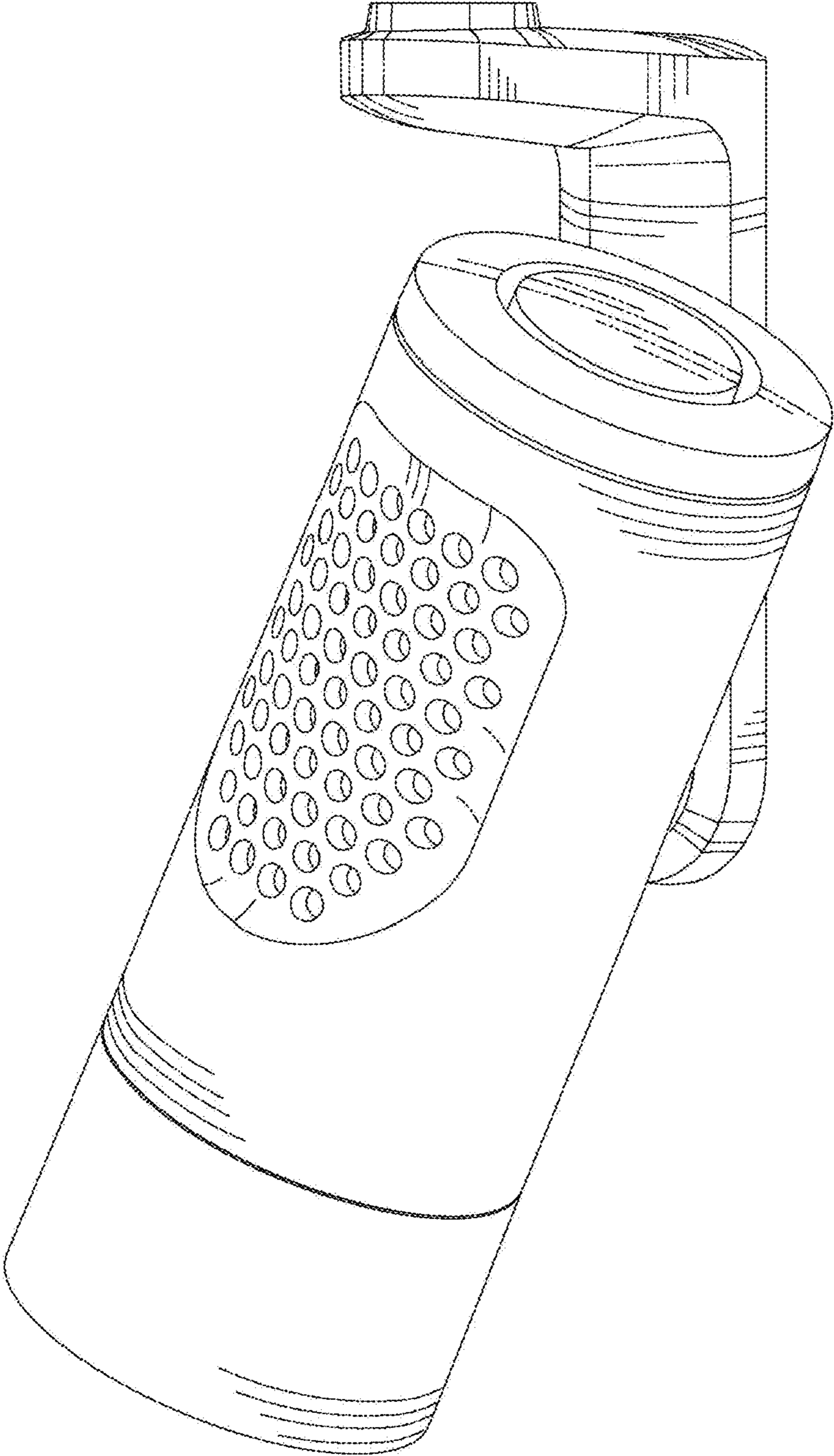
**Fig. 4**



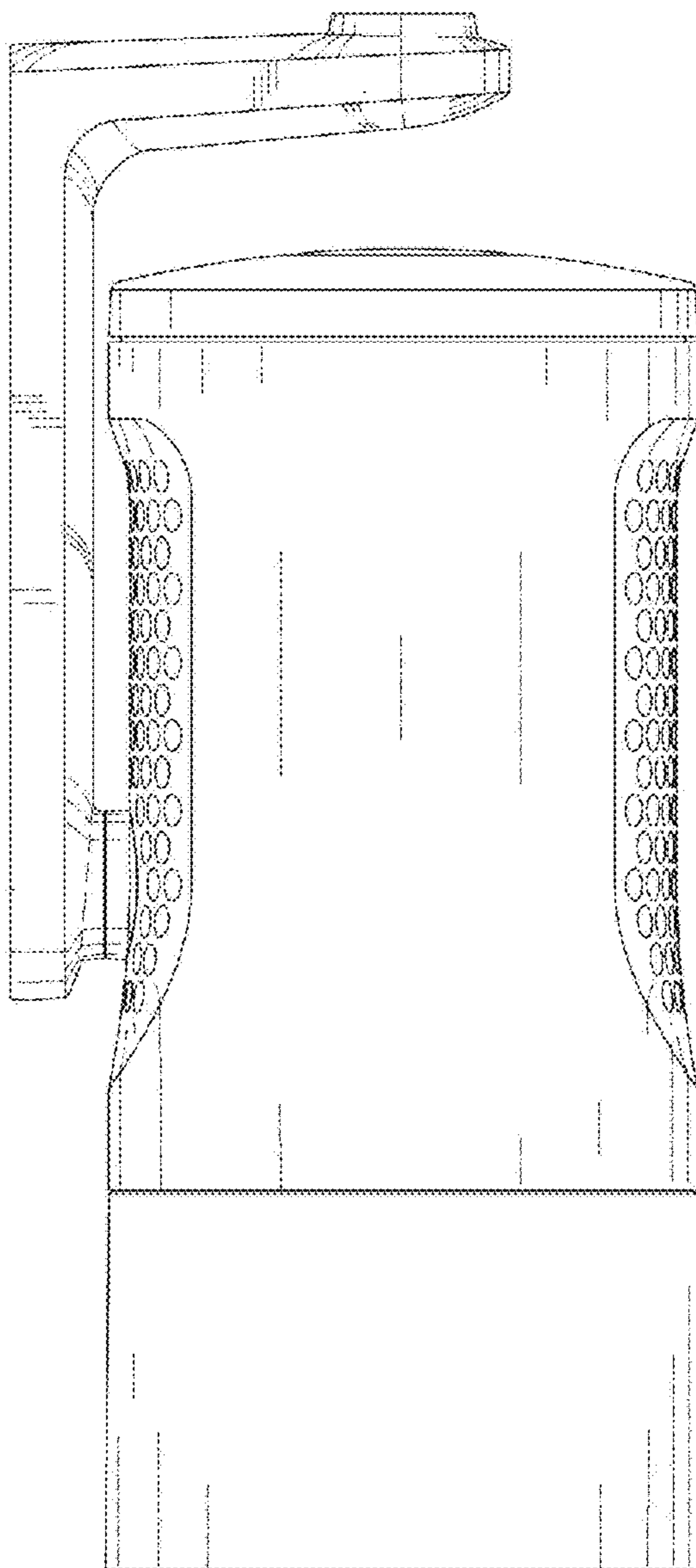
**Fig. 5**



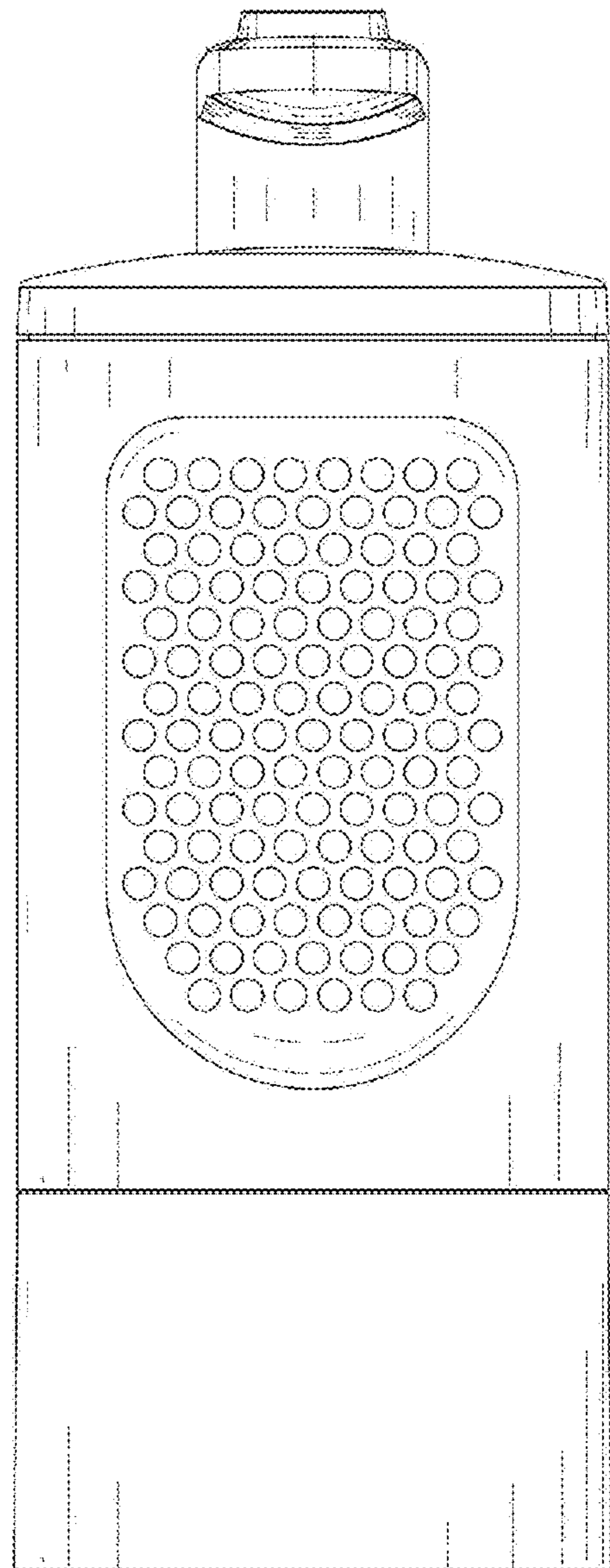
**Fig. 6**



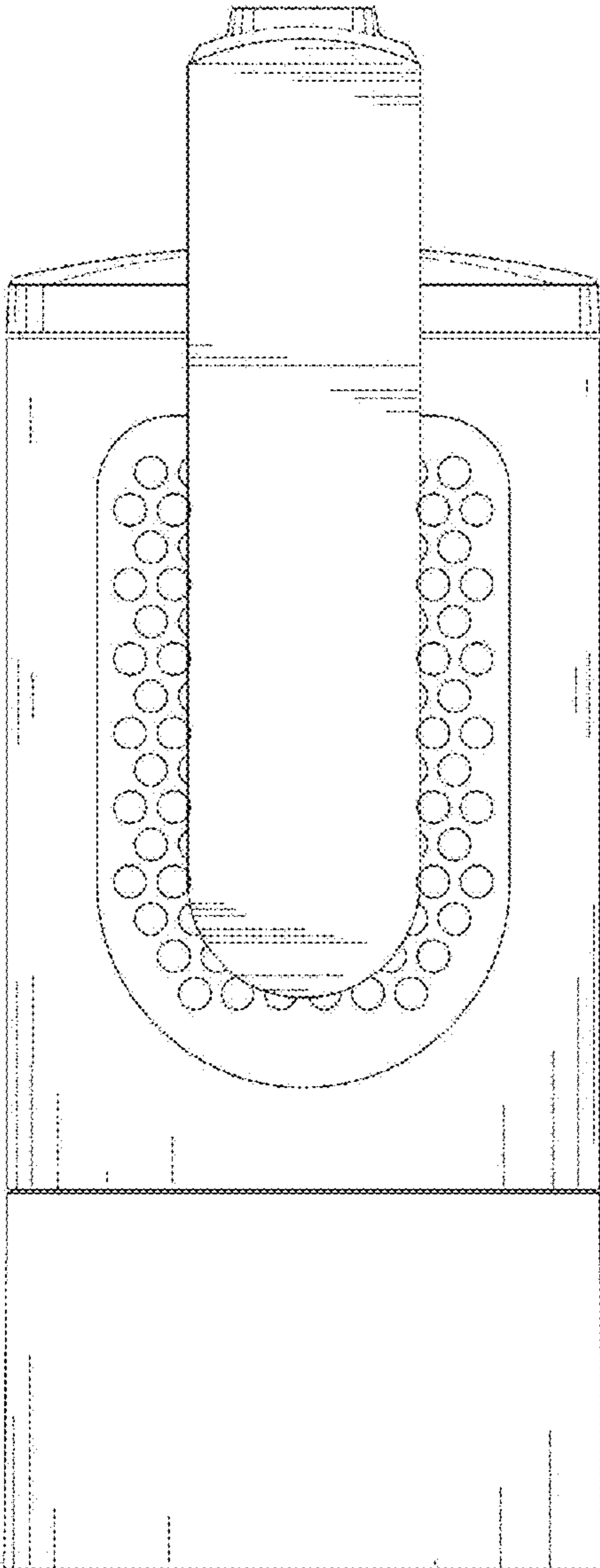
**Fig. 7**



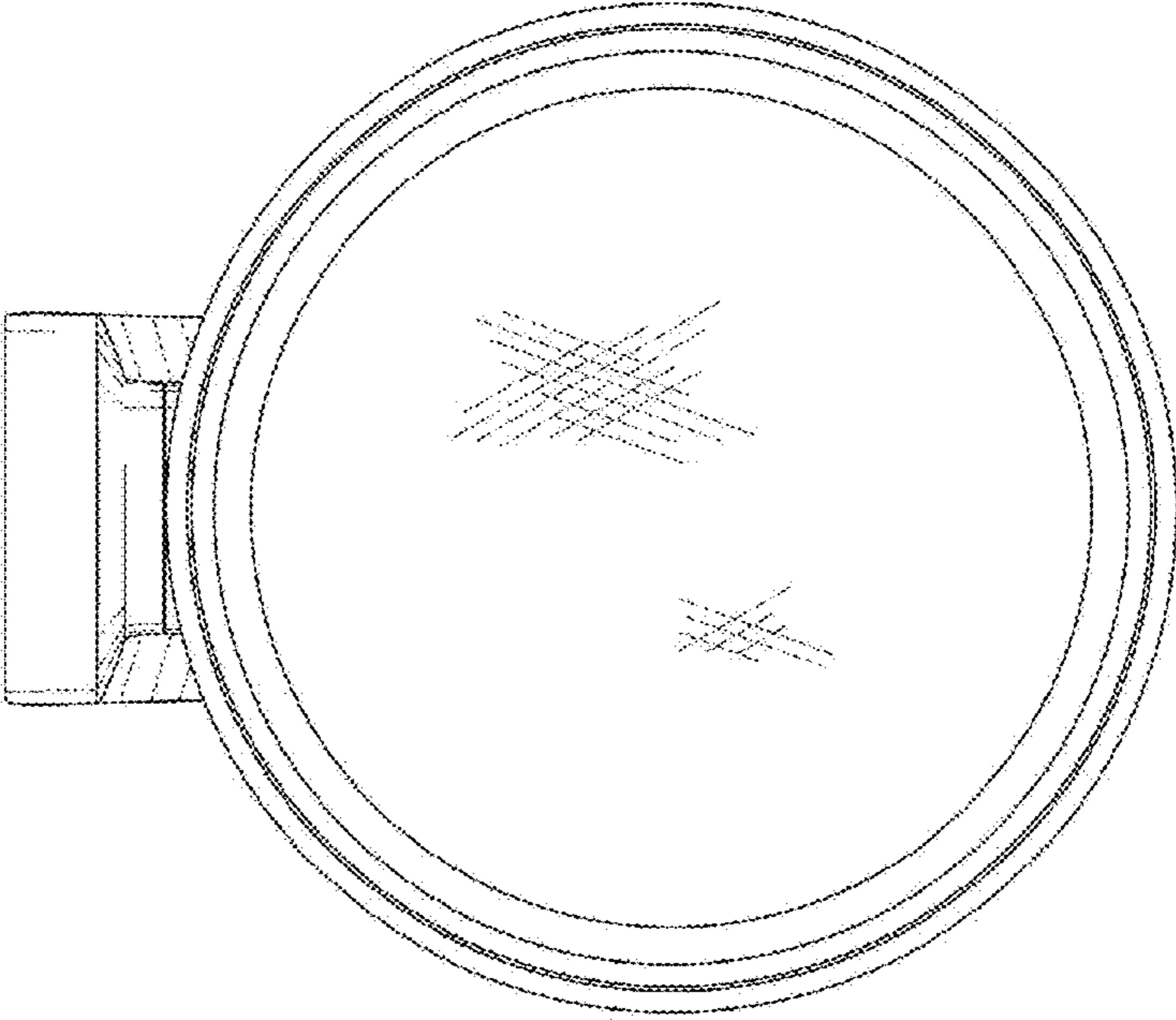
**Fig. 8**



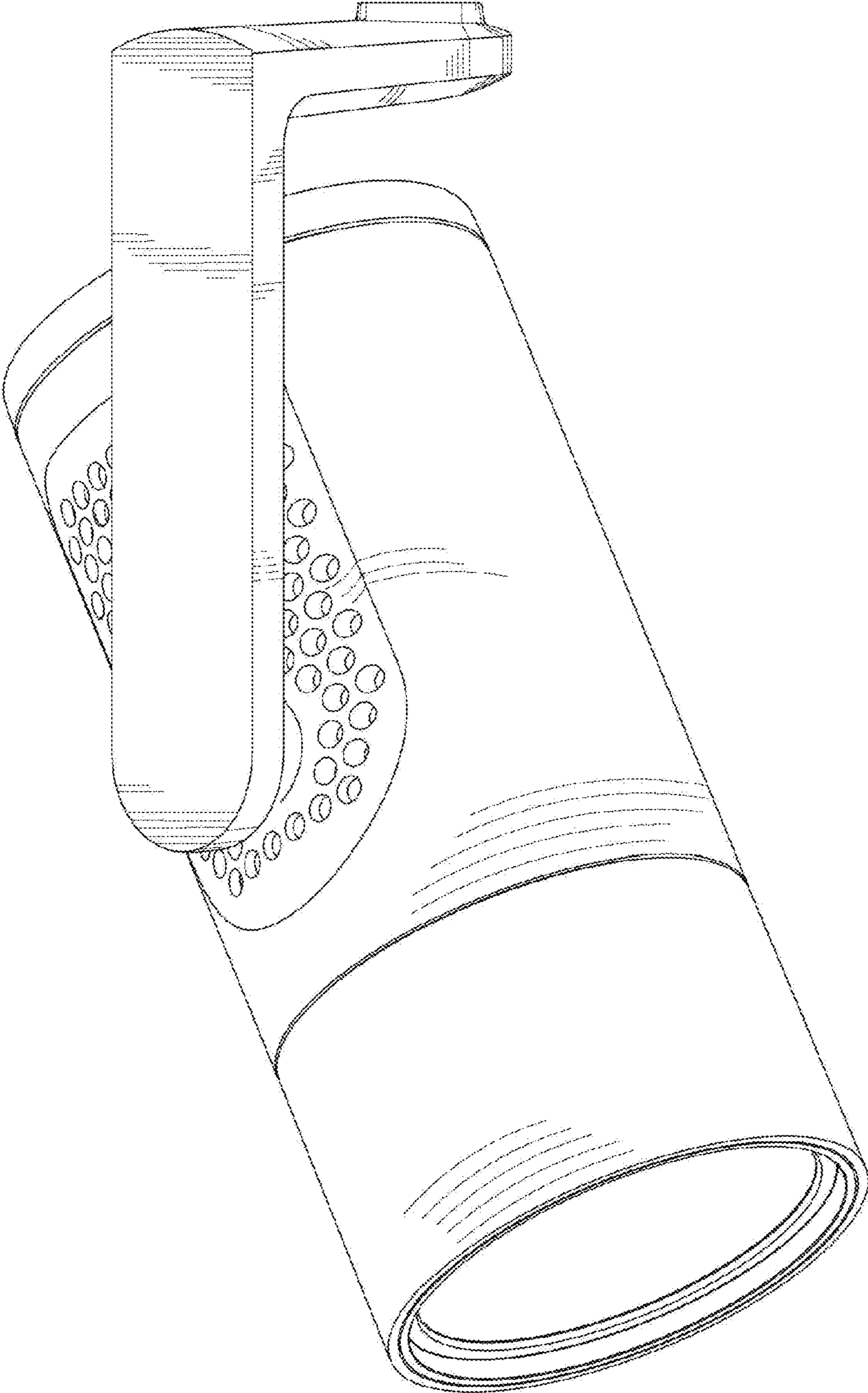
**Fig. 9**



**Fig. 10**



**Fig. 11**





**Fig. 12**

