



US00D929637S

(12) **United States Design Patent**
Harders

(10) **Patent No.:** **US D929,637 S**

(45) **Date of Patent:** **** Aug. 31, 2021**

- (54) **LOW-VOLTAGE LIGHT**
- (71) Applicant: **Patrick Harders**, Sterling, VA (US)
- (72) Inventor: **Patrick Harders**, Sterling, VA (US)
- (**) Term: **15 Years**
- (21) Appl. No.: **29/730,784**
- (22) Filed: **Apr. 8, 2020**
- (51) **LOC (13) Cl.** **26-03**
- (52) **U.S. Cl.**
USPC **D26/63**
- (58) **Field of Classification Search**
USPC D26/61, 63, 64, 65
CPC F21V 17/02; F21V 21/28; F21V 21/26;
F21V 21/06; F21V 21/00; F21W 2131/30;
F21W 2131/10; F21S 8/024; F21S 6/003;
F21S 8/003; F21S 8/00; F21F 6/00
See application file for complete search history.

D774,675 S *	12/2016	Hong	D26/63
D849,297 S *	5/2019	Deng	D26/63
D852,400 S *	6/2019	Wang	D26/63
D853,005 S *	7/2019	Zou	D26/63
D853,006 S *	7/2019	Zou	D26/63
D859,718 S *	9/2019	Groat	D26/63

* cited by examiner

Primary Examiner — Brian N. Vinson

(57) **CLAIM**

The ornamental design for a low-voltage lights, as shown and described.

DESCRIPTION

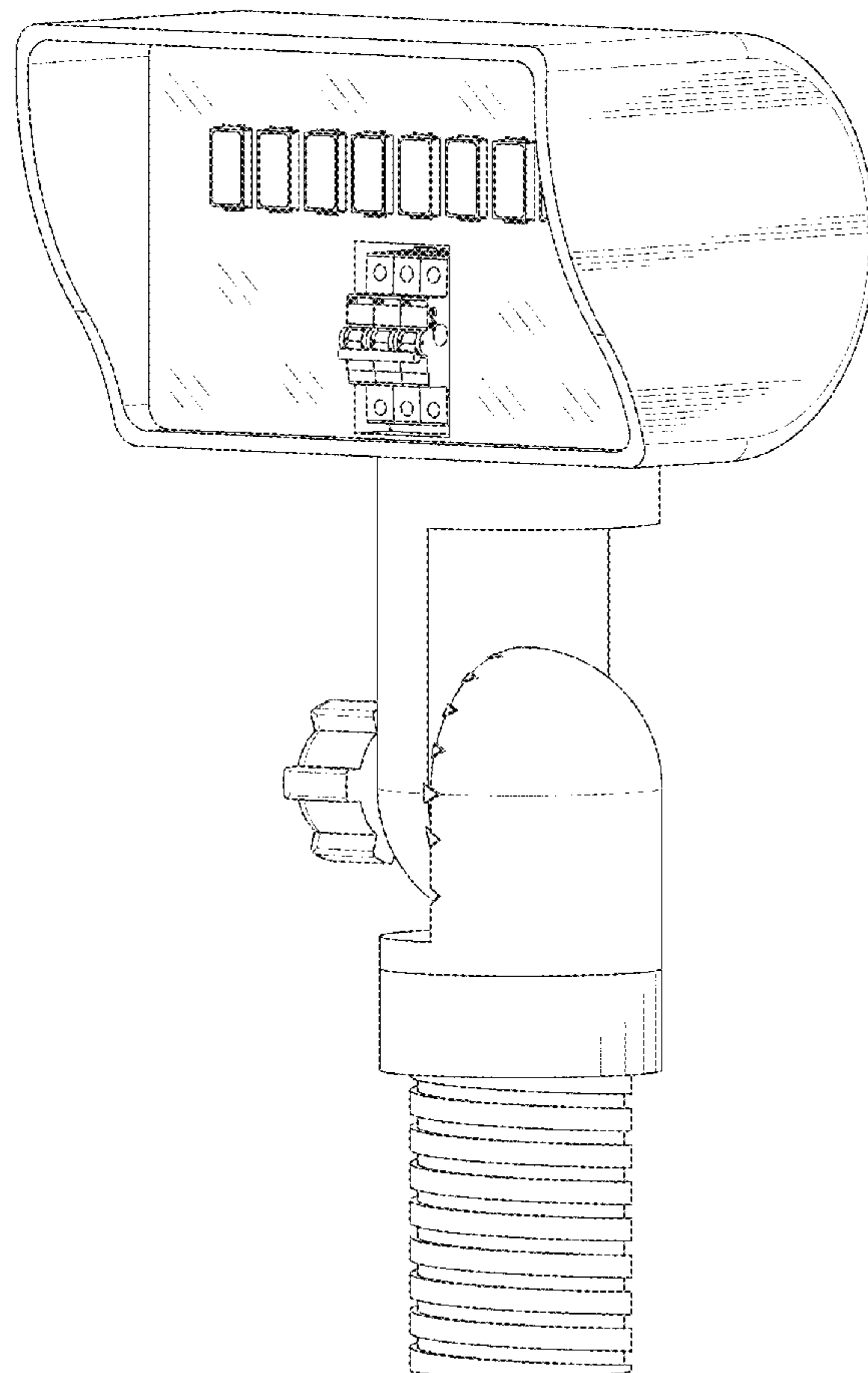
FIG. 1 shows an isometric view of a low voltage light having the design of the present invention.
 FIG. 2 depicts a front view of a low voltage light having the design of the present invention.
 FIG. 3 is a back side view of a low voltage light having the design of the present invention.
 FIG. 4 presents a left side view of a low voltage light having the design of the present invention.
 FIG. 5 shows a right side view of a low voltage light having the design of the present invention.
 FIG. 6 depicts a top side view of a low voltage light having the design of the present invention; and,
 FIG. 7 is a bottom view of a low voltage light having the design of the present invention.

1 Claim, 7 Drawing Sheets

(56) **References Cited**

U.S. PATENT DOCUMENTS

D360,962 S *	8/1995	Cornell	D26/63
D407,836 S *	4/1999	Leen	D26/63
D544,125 S *	6/2007	Guercio	D26/63
D572,396 S *	7/2008	Guercio	D26/63



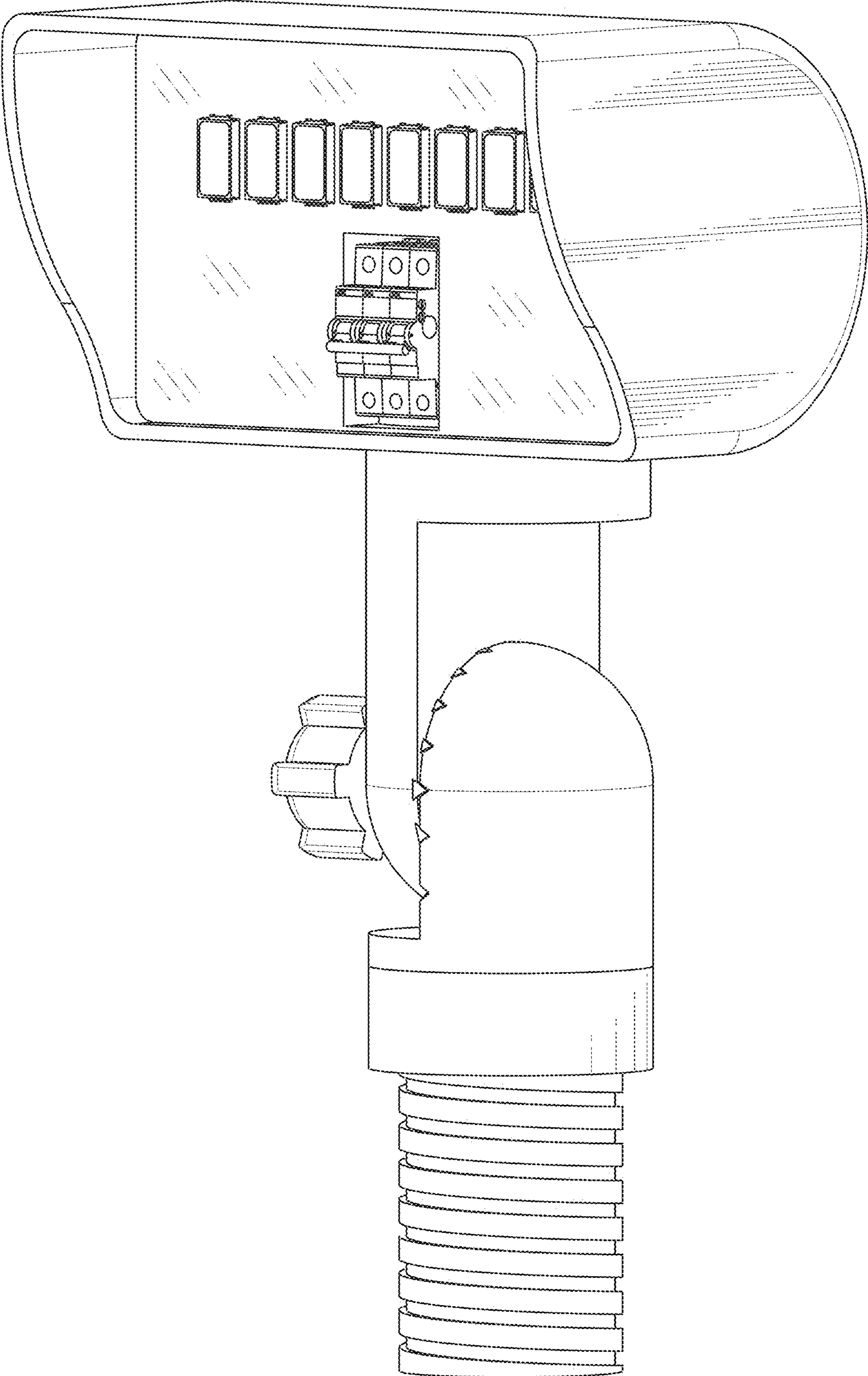


FIG. 1

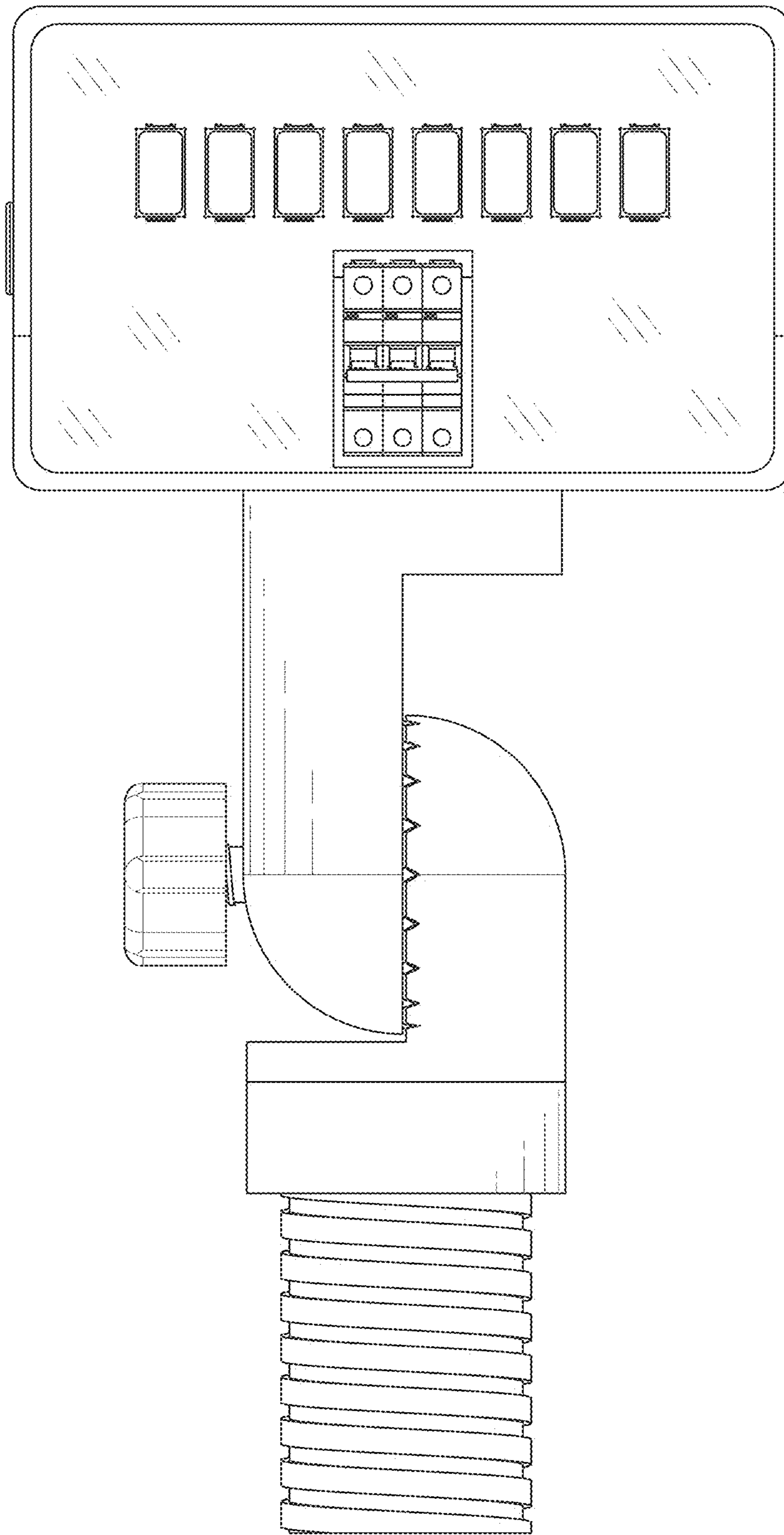


FIG. 2

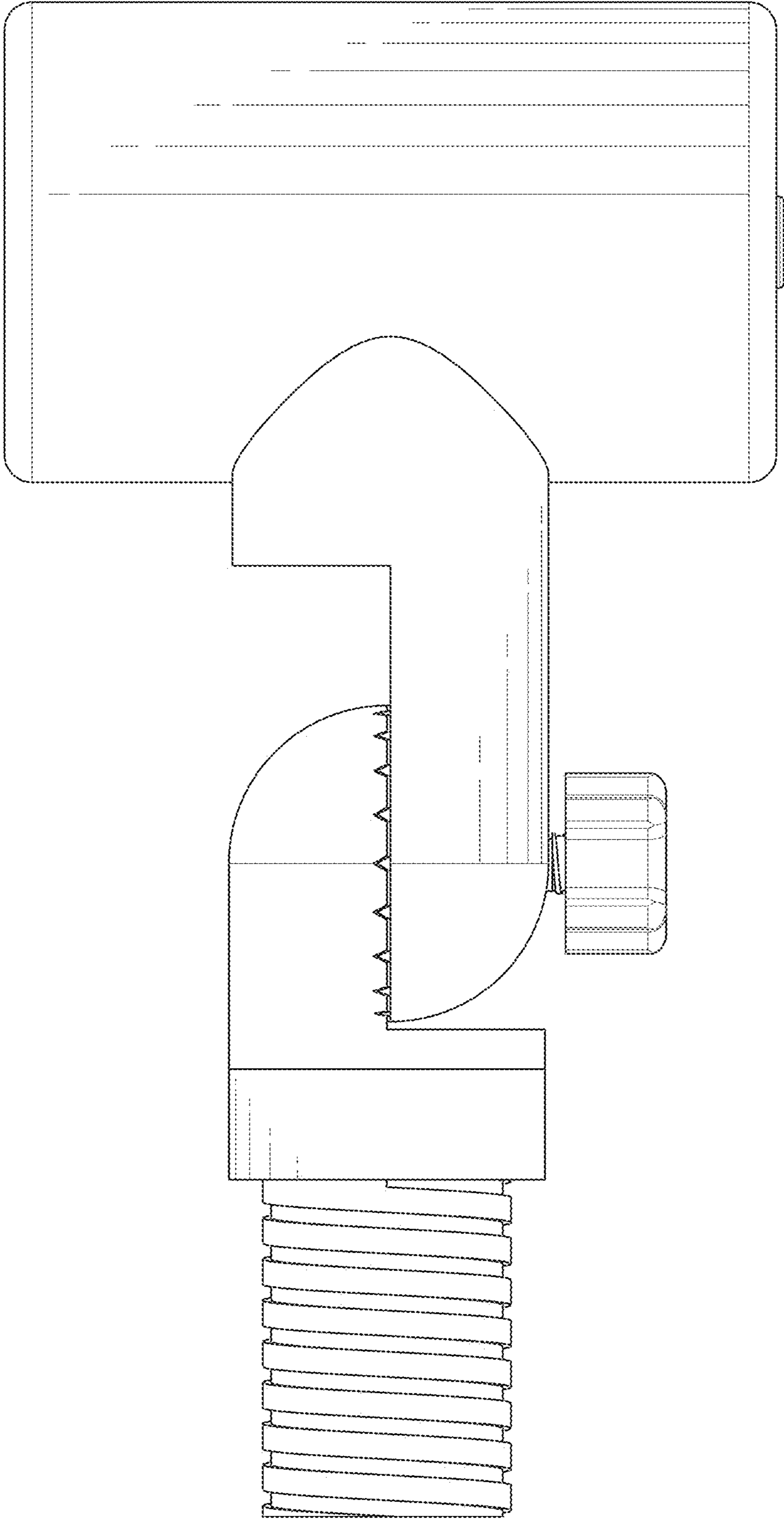


FIG. 3

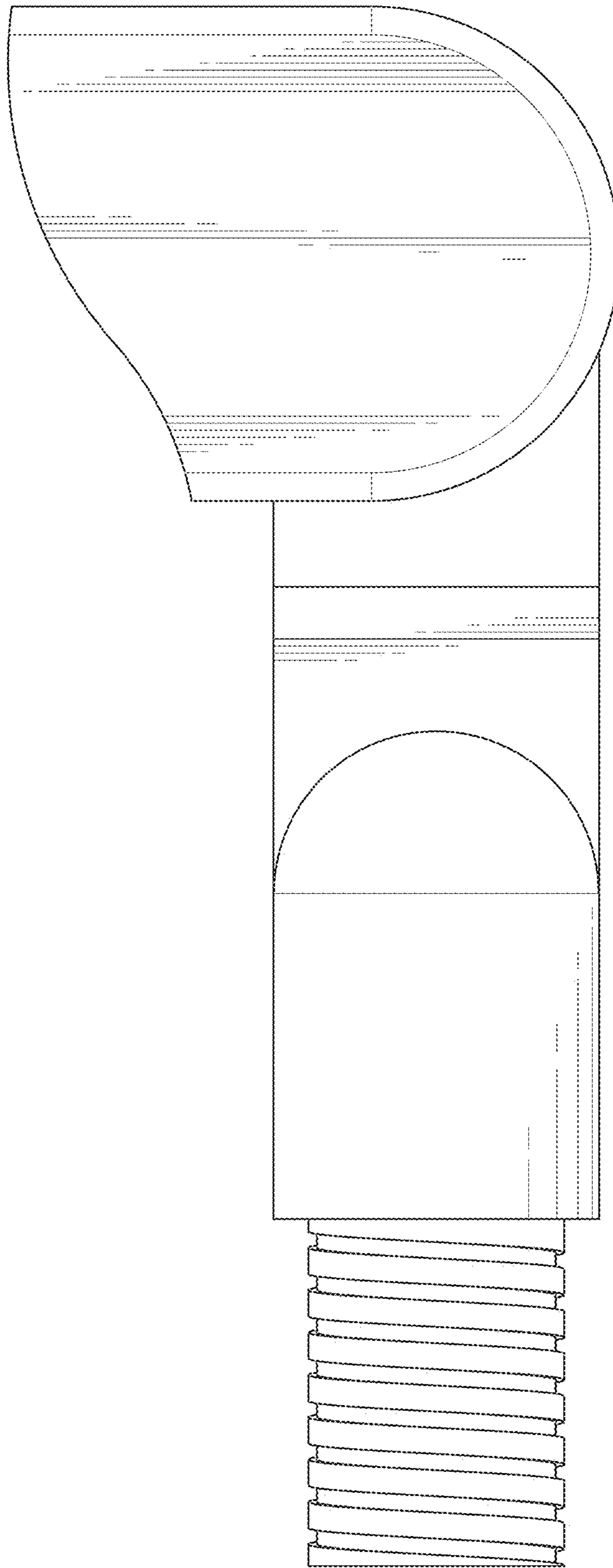


FIG. 4

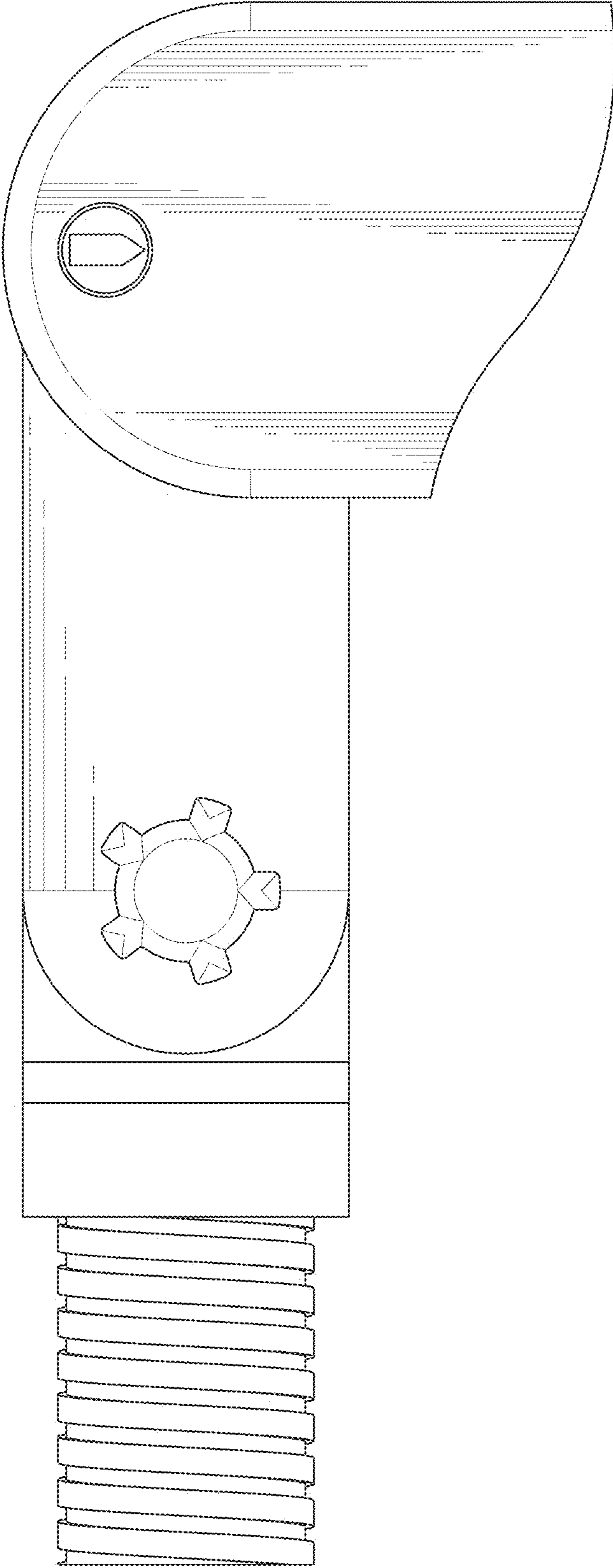


FIG. 5

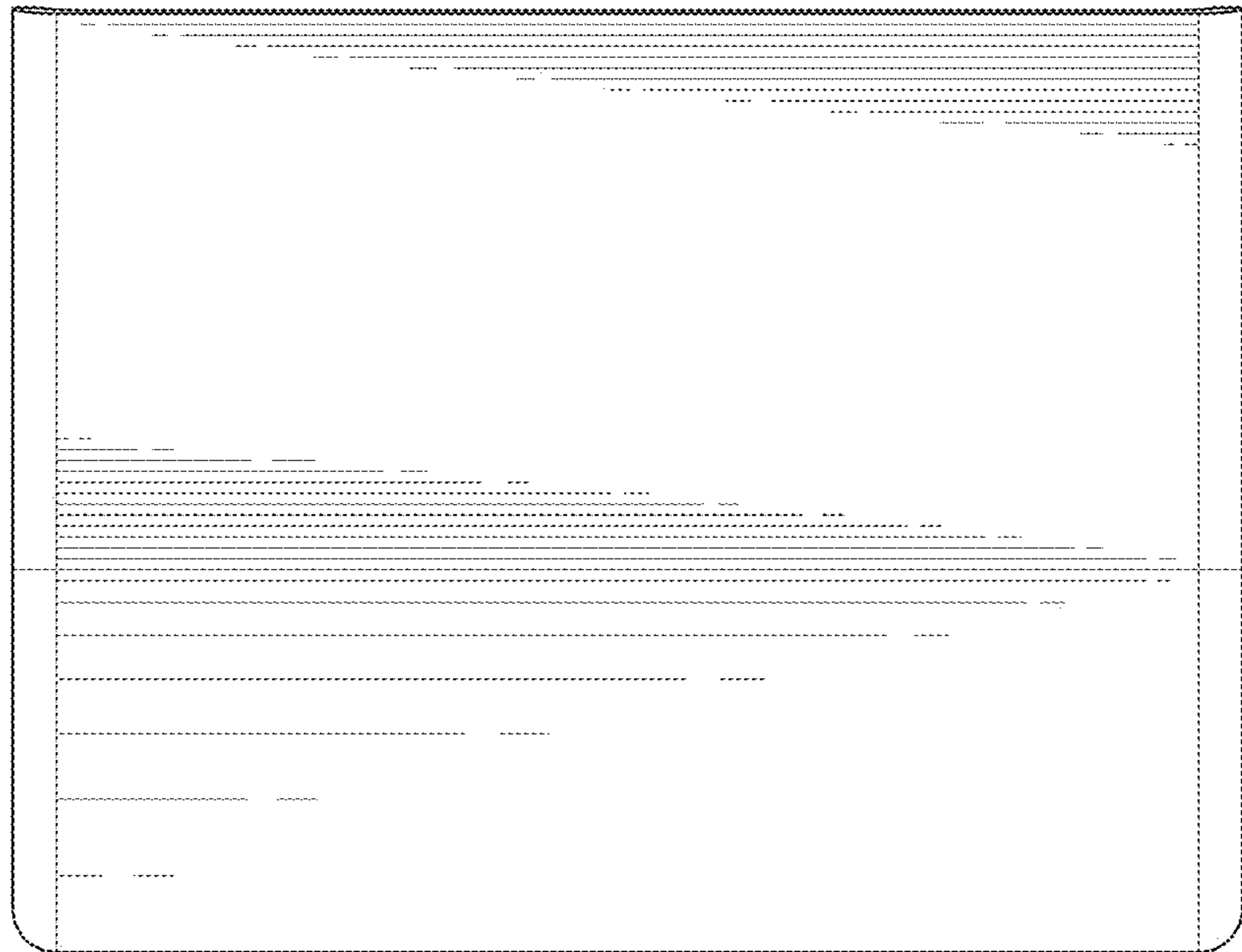


FIG. 6

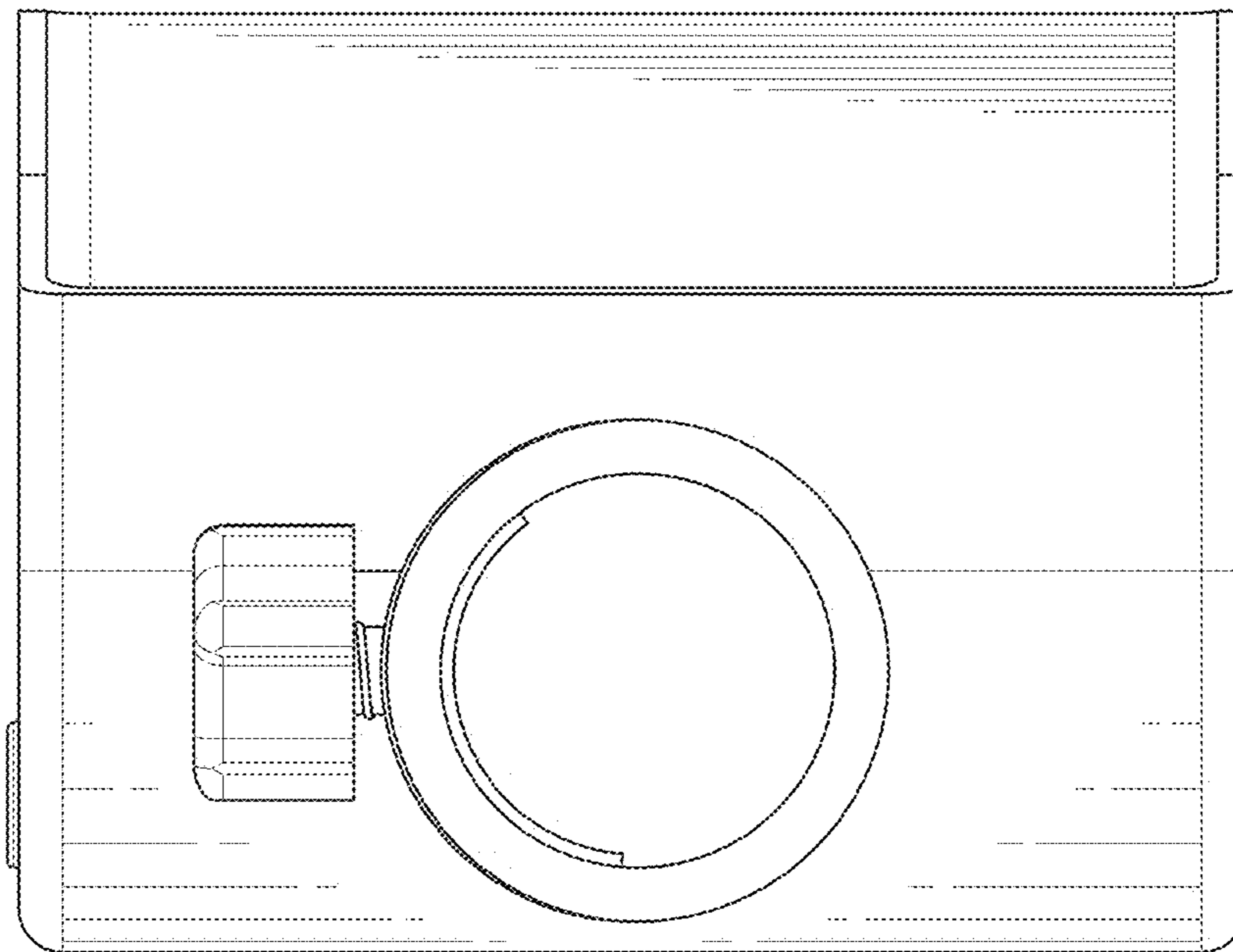


FIG. 7